



US00D727204S

(12) **United States Design Patent**
Laatz

(10) **Patent No.:** **US D727,204 S**
(45) **Date of Patent:** **** Apr. 21, 2015**

- (54) **TRAKLINE BELT BUCKLE**
- (71) Applicant: **Kore Essentials, Inc.**, San Diego, CA (US)
- (72) Inventor: **Robin Laatz**, San Diego, CA (US)
- (73) Assignee: **Kore Essentials, Inc.**, San Diego, CA (US)
- (**) Term: **14 Years**
- (21) Appl. No.: **29/484,772**
- (22) Filed: **Mar. 12, 2014**
- (51) **LOC (10) Cl.** **02-07**
- (52) **U.S. Cl.**
USPC **D11/216**
- (58) **Field of Classification Search**
CPC A41F 11/04
USPC D11/1-2, 200-201, 206-210, 214-218;
24/163 R, 169-171, 173, 177-179, 191,
24/194-195, 197, 200, 614-616, 625, 198,
24/578.11, 578.1, 163 K, 114, 307
See application file for complete search history.

- D332,585 S * 1/1993 Olson D11/201
- D453,125 S * 1/2002 Citton D11/216
- D631,393 S * 1/2011 Shani et al. D11/216
- D632,215 S * 2/2011 Shani et al. D11/216
- D632,217 S * 2/2011 Shani et al. D11/216
- D632,612 S * 2/2011 Shani et al. D11/216
- D703,581 S * 4/2014 Kelleghan D11/216

* cited by examiner

Primary Examiner — Ralf Seifert

(74) *Attorney, Agent, or Firm* — Coastal Patent Law Group, P.C.

(57) **CLAIM**

I claim the ornamental design for a trakline belt buckle, as shown and described.

DESCRIPTION

FIG. 1 shows a rear perspective view of the trakline belt buckle showing a rear, top, and left side thereof;
 FIG. 2 shows a front perspective view of the trakline belt buckle showing a front, bottom, and right side thereof;
 FIG. 3 shows a front view of the trakline belt buckle;
 FIG. 4 shows a rear view of the trakline belt buckle;
 FIG. 5 shows a left side of the trakline belt buckle;
 FIG. 6 shows a right side of the trakline belt buckle;
 FIG. 7 shows a bottom view of the trakline belt buckle; and,
 FIG. 8 shows a top view of the trakline belt buckle.

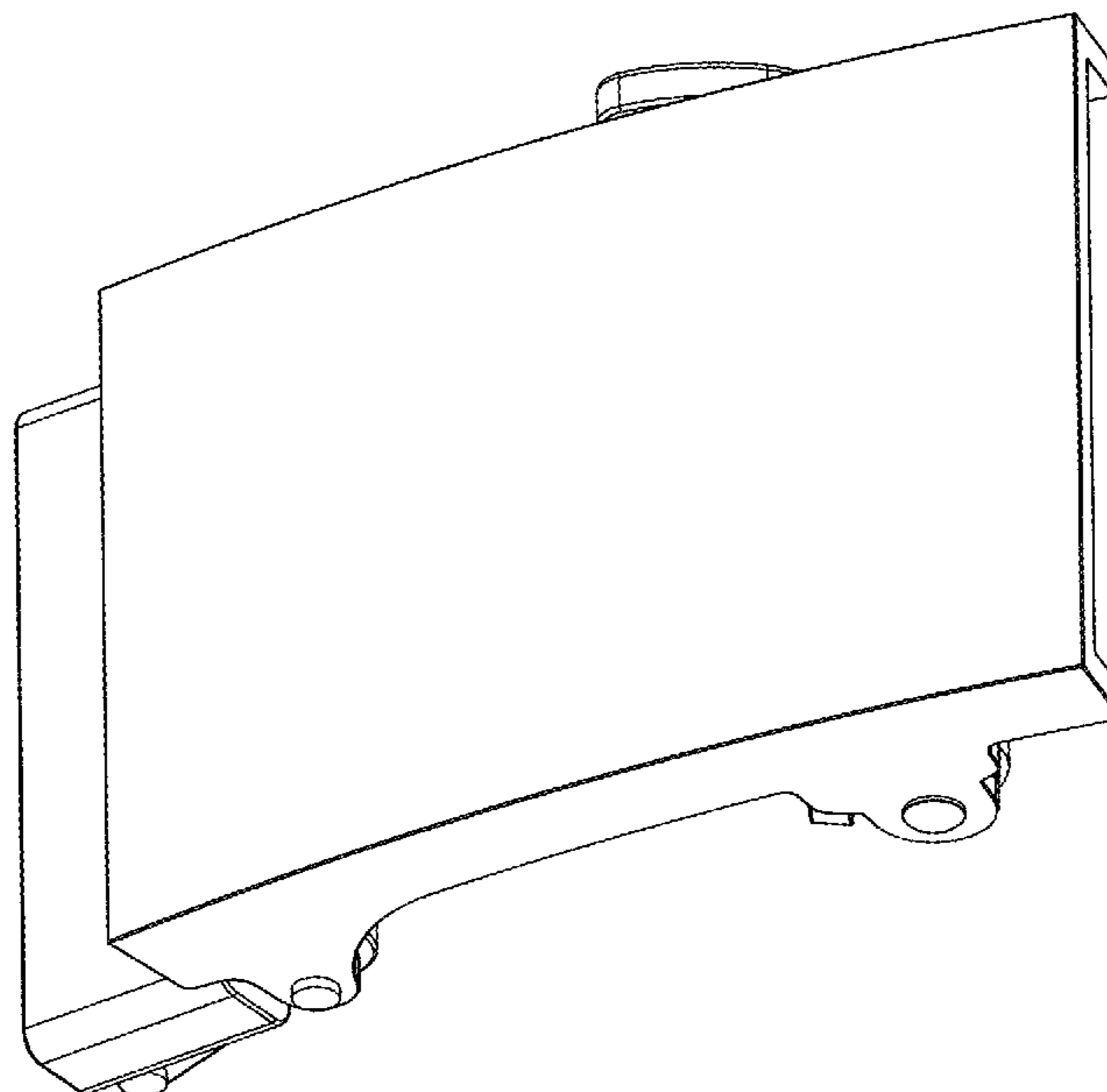
The trakline belt buckle as illustrated is shown with a logo consisting of the word "TRAK" above the word "LINE", and two arrows positioned to the bottom right corner; the logo is being illustrated in dashed lines and does not form part of the claimed design.

1 Claim, 5 Drawing Sheets

(56) **References Cited**

U.S. PATENT DOCUMENTS

- 1,278,340 A * 9/1918 Hayden et al. 24/316
- 2,110,684 A * 3/1938 Schuhmann 24/313
- D177,056 S * 3/1956 Lowie D11/1



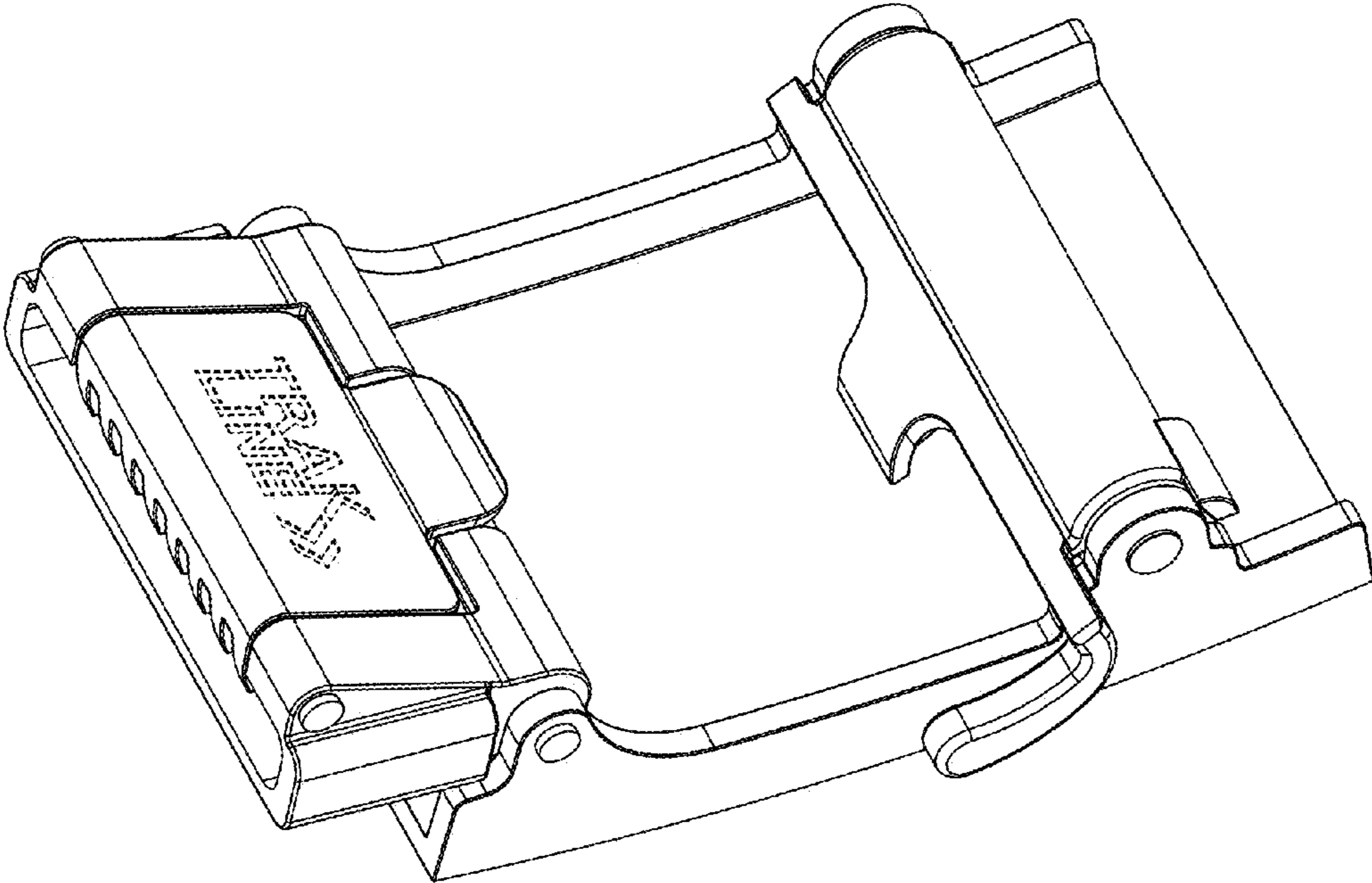


FIG. 1

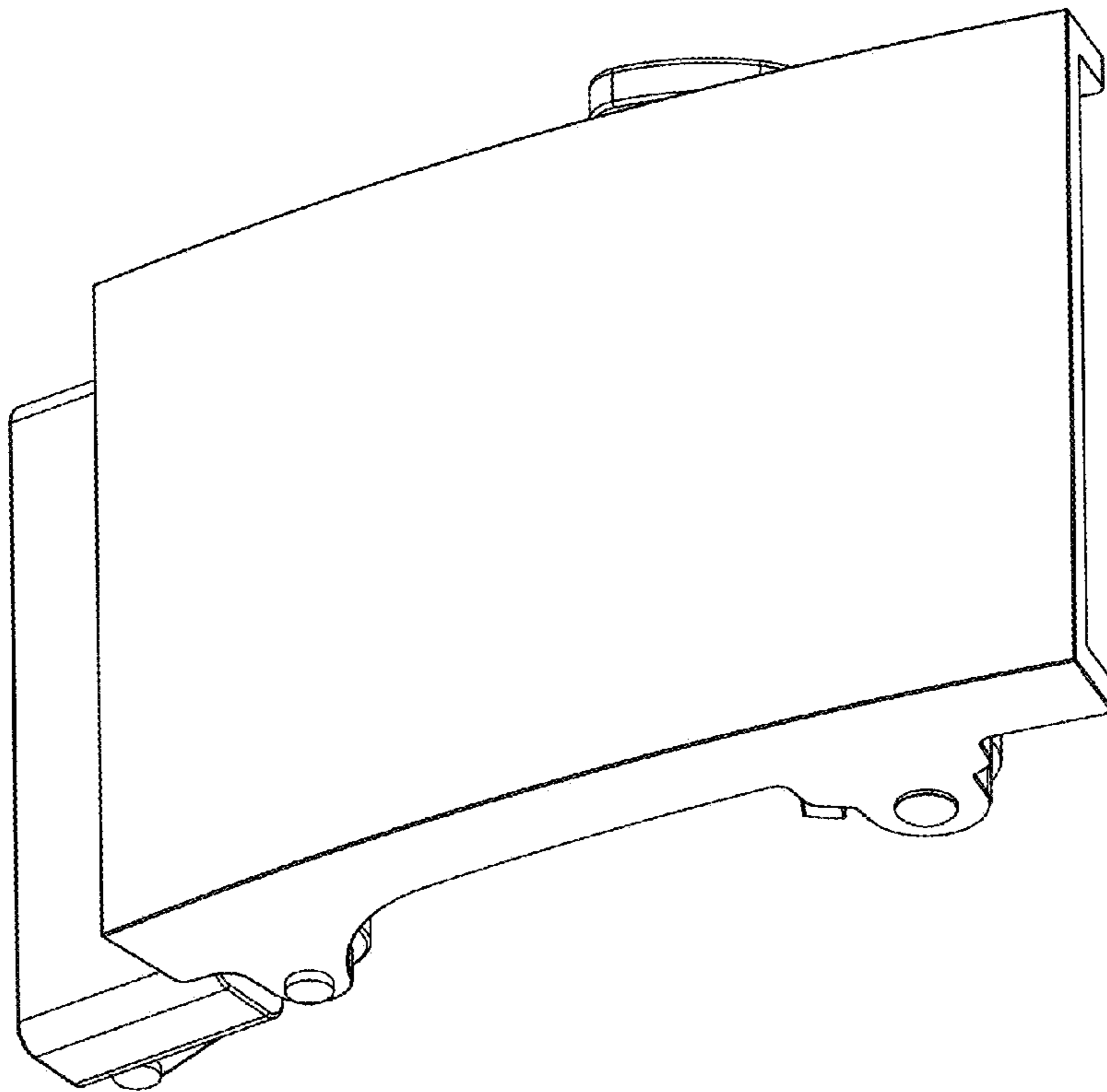


FIG.2

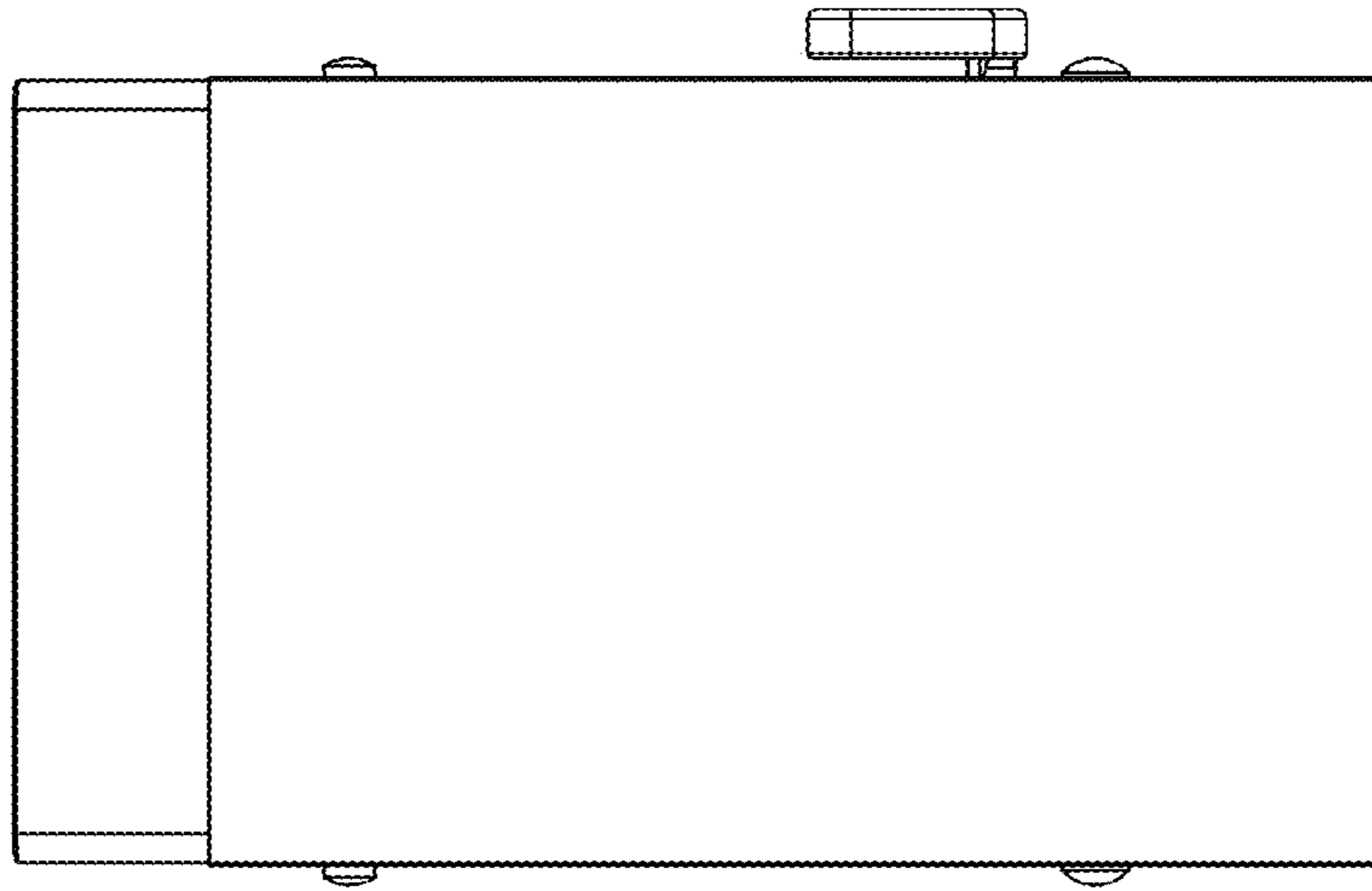


FIG. 3

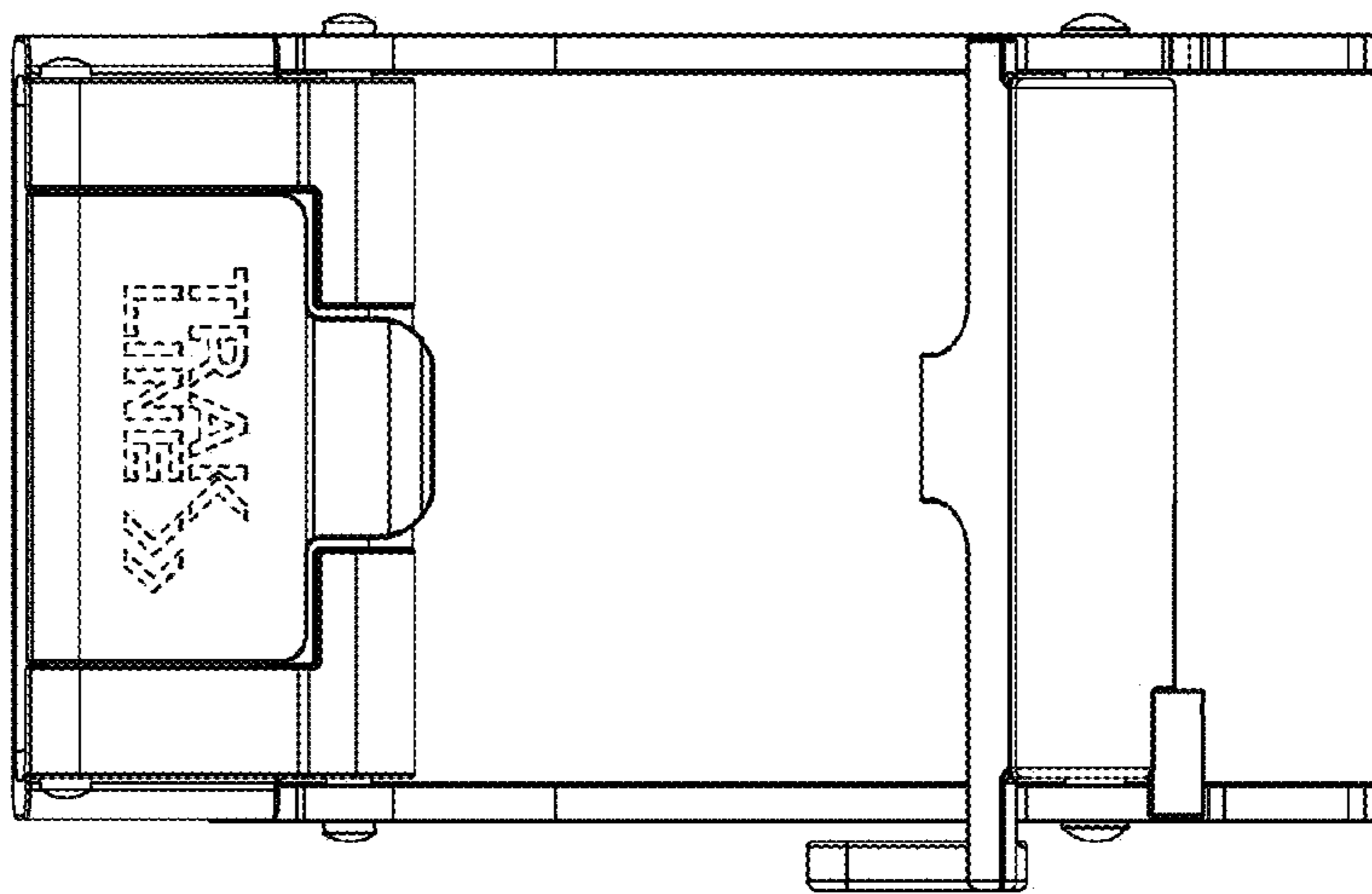


FIG. 4

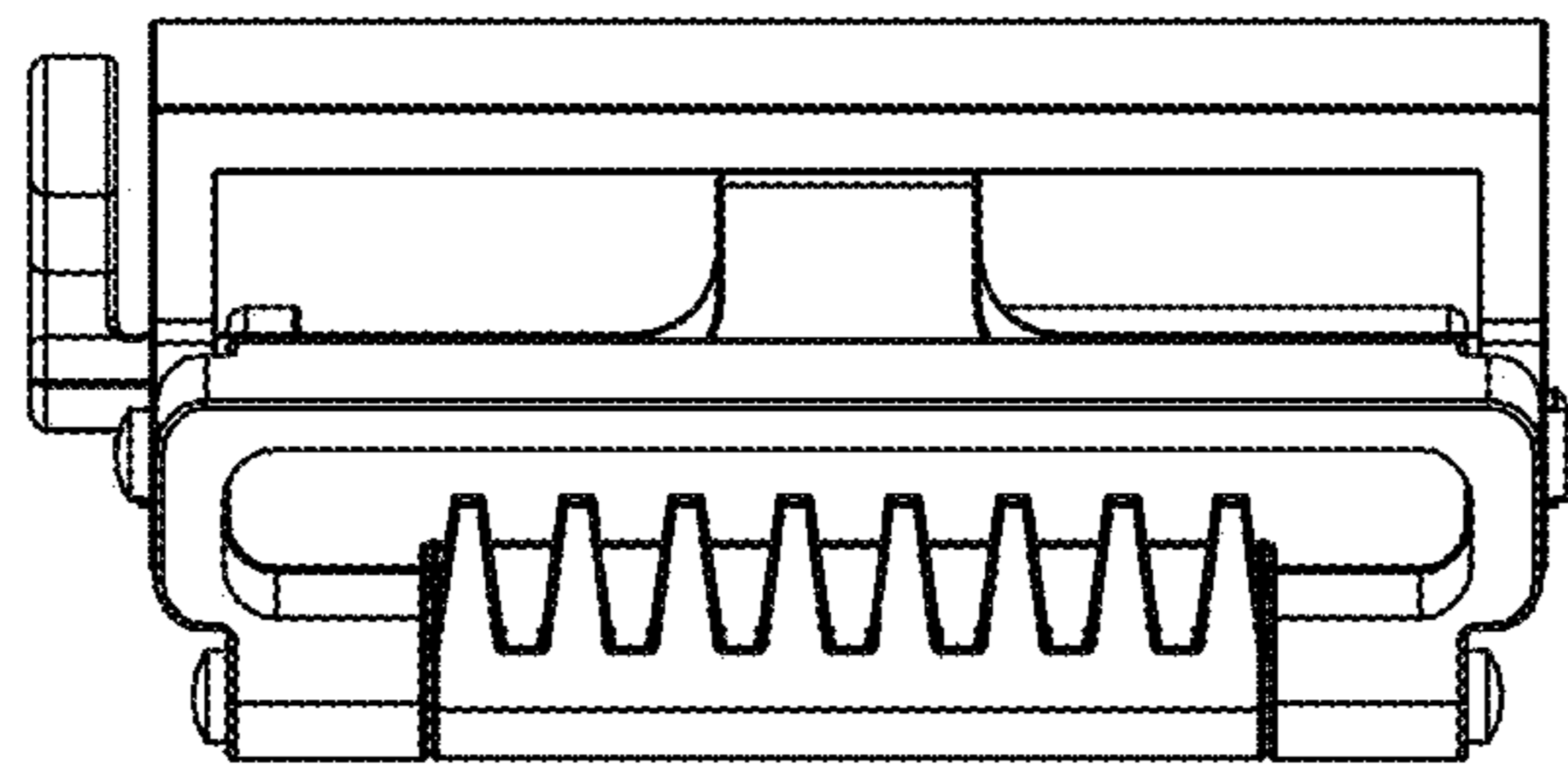


FIG. 5

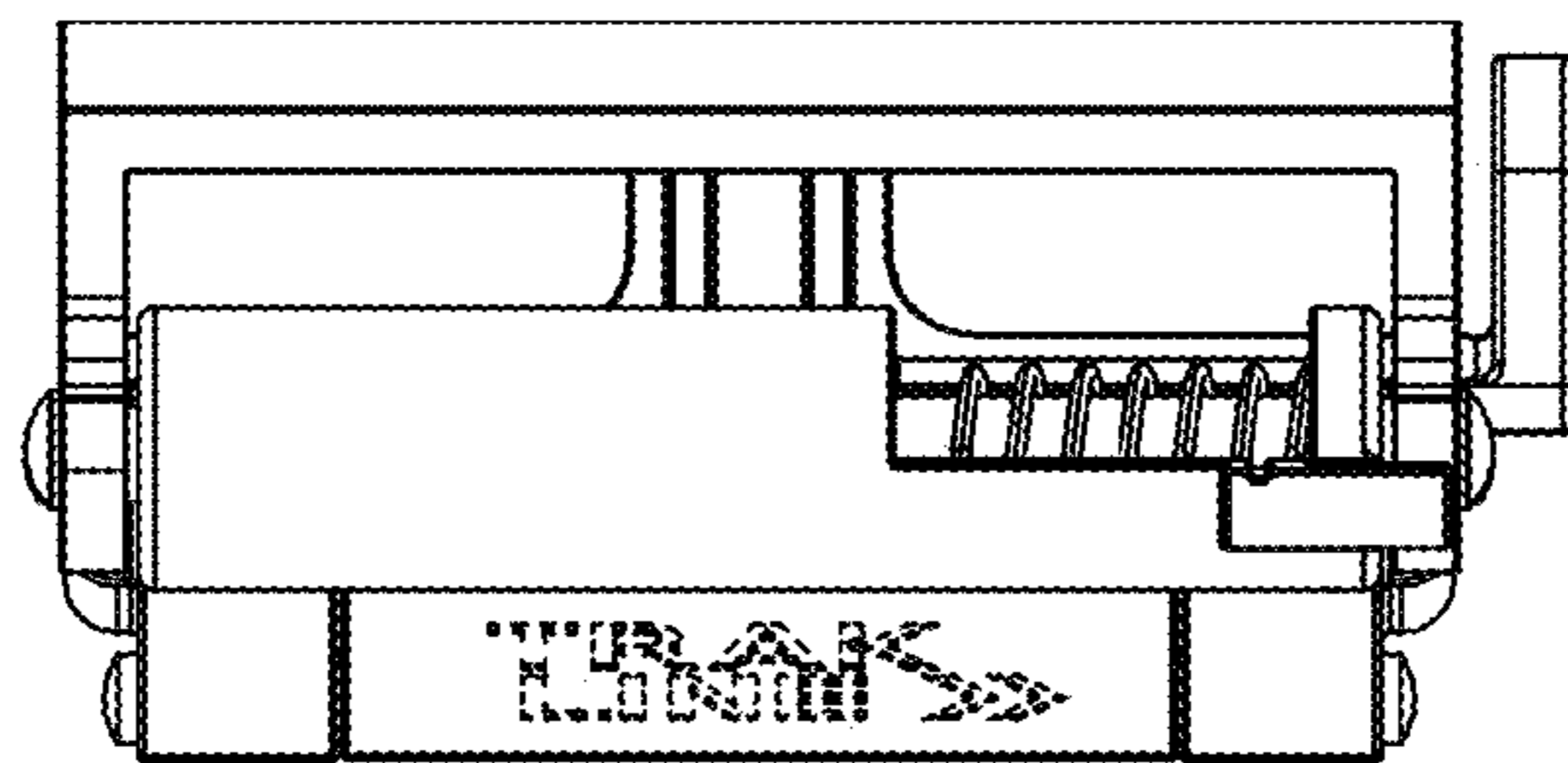


FIG. 6



FIG. 7

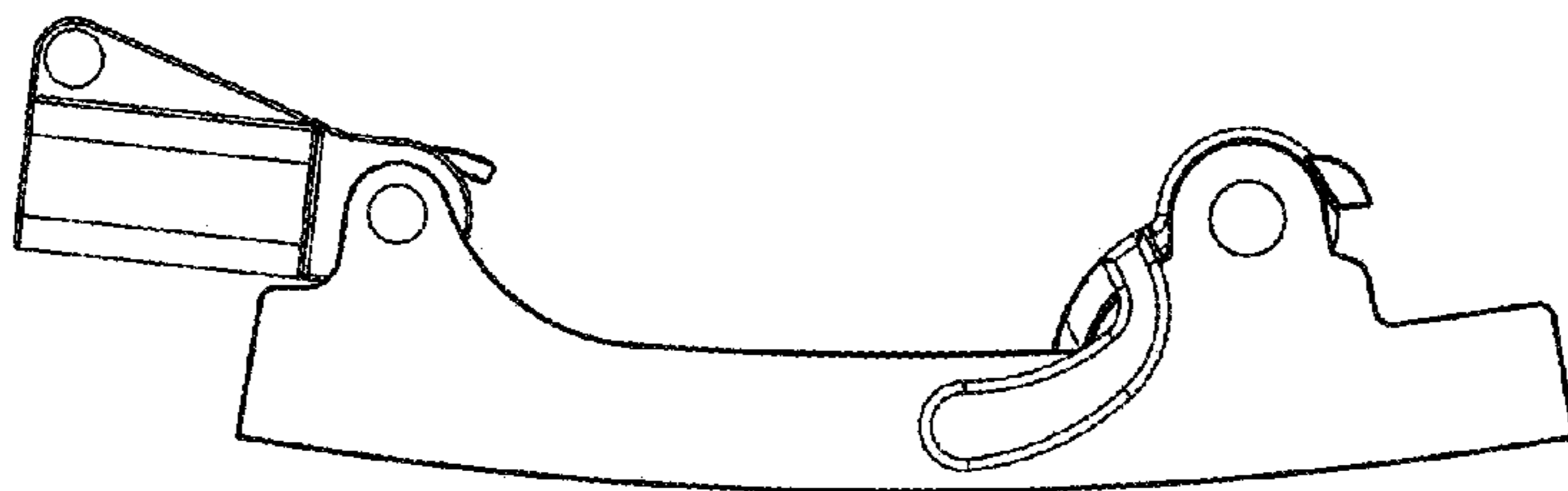


FIG. 8