



US00D727203S

(12) **United States Design Patent**  
**Thuma et al.**

(10) **Patent No.:** **US D727,203 S**  
(45) **Date of Patent:** **\*\* Apr. 21, 2015**

(54) **PANEL**  
(71) Applicant: **Suncast Technologies, LLC**, Jupiter, FL (US)  
(72) Inventors: **Michael Thuma**, La Grange, IL (US);  
**Brian J. Russell**, Aurora, IL (US);  
**Michael R. Vogler**, Oswego, IL (US)  
(73) Assignee: **Suncast Technologies, LLC**, Palm Beach Gardens, FL (US)  
(\*\*) Term: **14 Years**

|                   |         |               |       |         |
|-------------------|---------|---------------|-------|---------|
| D207,835 S *      | 6/1967  | Dexter        | ..... | D8/316  |
| D274,027 S *      | 5/1984  | Thompson      | ..... | D6/546  |
| D294,907 S *      | 3/1988  | Pool          | ..... | D6/546  |
| D335,993 S *      | 6/1993  | McNeill       | ..... | D6/546  |
| D391,105 S *      | 2/1998  | Sharpe        | ..... | D6/546  |
| D423,406 S *      | 4/2000  | Grosfillex    | ..... | D11/155 |
| D441,239 S *      | 5/2001  | Moore         | ..... | D6/546  |
| D450,509 S *      | 11/2001 | Gottwald      | ..... | D6/546  |
| 7,287,664 B2 *    | 10/2007 | Hagan et al.  | ..... | 220/761 |
| D556,627 S *      | 12/2007 | Arev          | ..... | D11/155 |
| D600,480 S *      | 9/2009  | Koury         | ..... | D6/546  |
| D682,654 S *      | 5/2013  | Clarke et al. | ..... | D8/300  |
| D702,590 S *      | 4/2014  | Moniz         | ..... | D11/144 |
| 2011/0081514 A1 * | 4/2011  | Day et al.    | ..... | 428/53  |

\* cited by examiner

(21) Appl. No.: **29/476,558**

*Primary Examiner* — Elizabeth Albert

(22) Filed: **Dec. 13, 2013**

(74) *Attorney, Agent, or Firm* — Mchale & Slavin P.A.

(51) **LOC (10) Cl.** ..... **11-02**

(52) **U.S. Cl.**  
USPC ..... **D11/155; D5/63**

(57) **CLAIM**

The ornamental design for a panel, as shown and described.

(58) **Field of Classification Search**  
USPC ..... D5/6, 7, 32, 55, 58, 61, 63, 66, 99;  
D11/132, 143–156; D25/105, 113,  
D25/117, 138, 152, 153, 155, 156, 157,  
D25/159; D20/11, 27, 28; 181/290; 428/32,  
428/147, 151, 152, 187, 542.6, 913.3;  
D6/546; D8/306

**DESCRIPTION**

FIG. 1 is a top, right perspective view of the panel of the present invention;  
FIG. 2 is a bottom right perspective view thereof;  
FIG. 3 is a front view thereof;  
FIG. 4 is a right side view thereof; and,  
FIG. 5 is a left side view thereof.  
The broken lines showing the rear in FIGS. 1, 2, 4 and 5 are included to show portions that form no part of the claimed design.

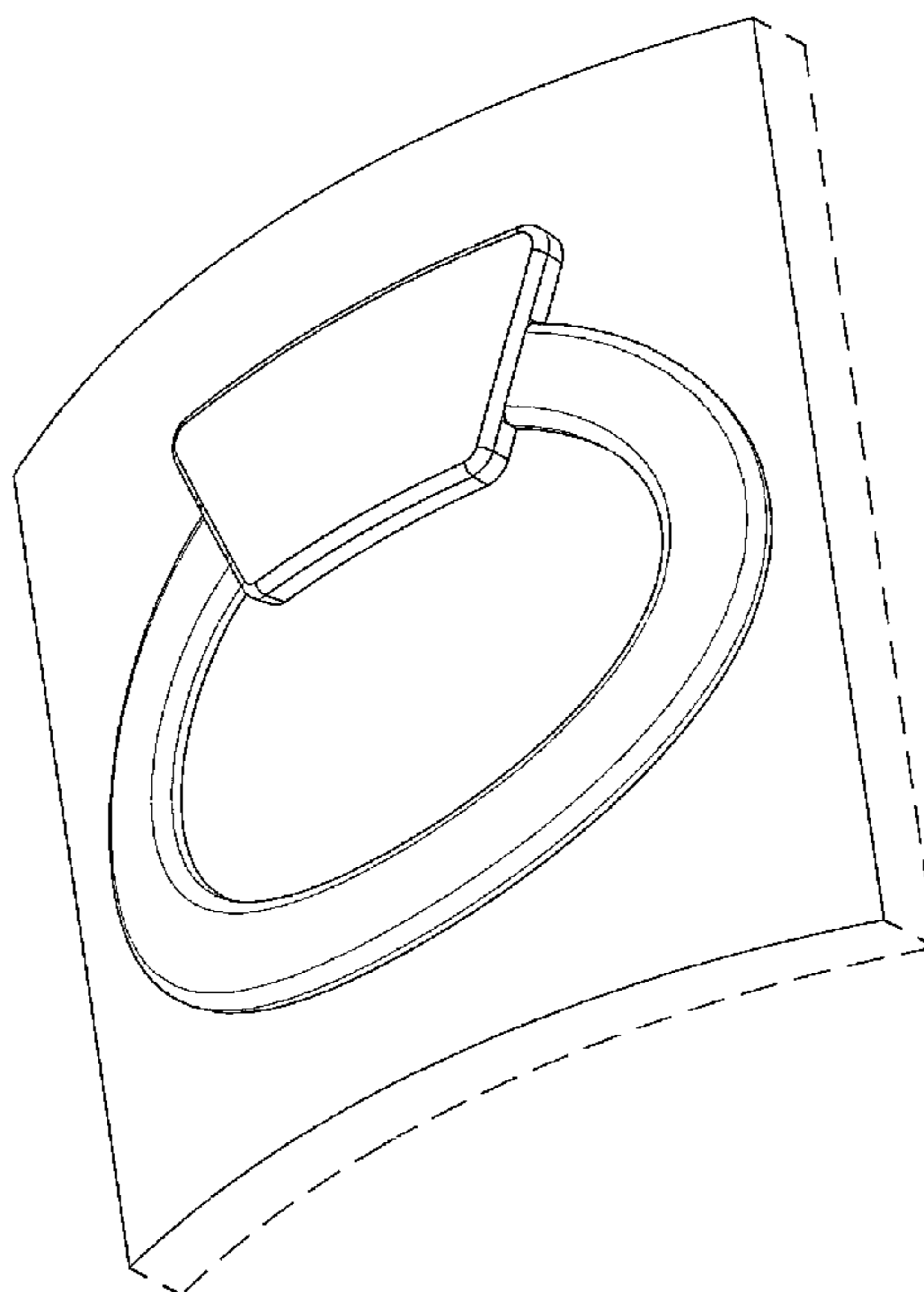
See application file for complete search history.

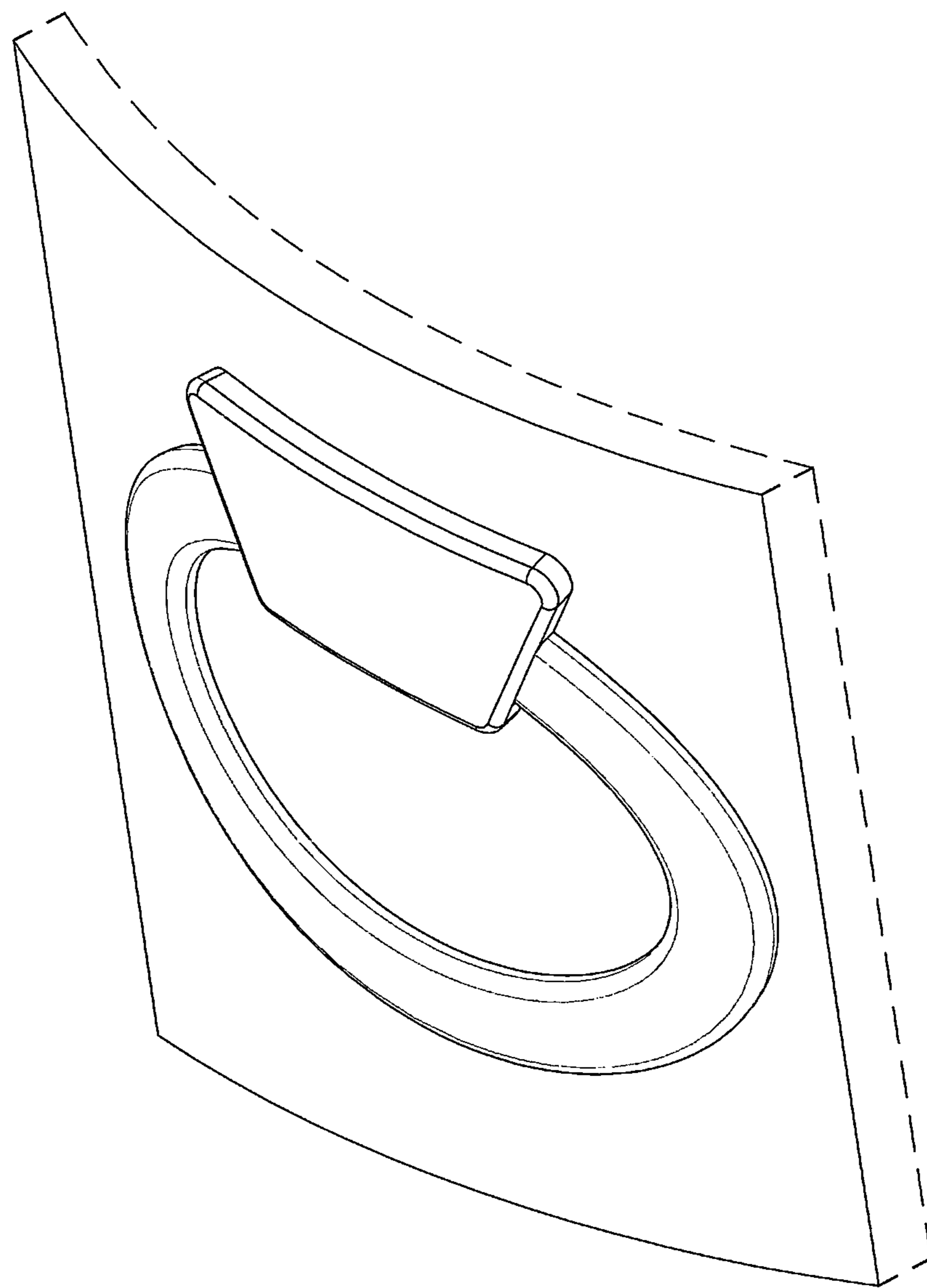
(56) **References Cited**

**U.S. PATENT DOCUMENTS**

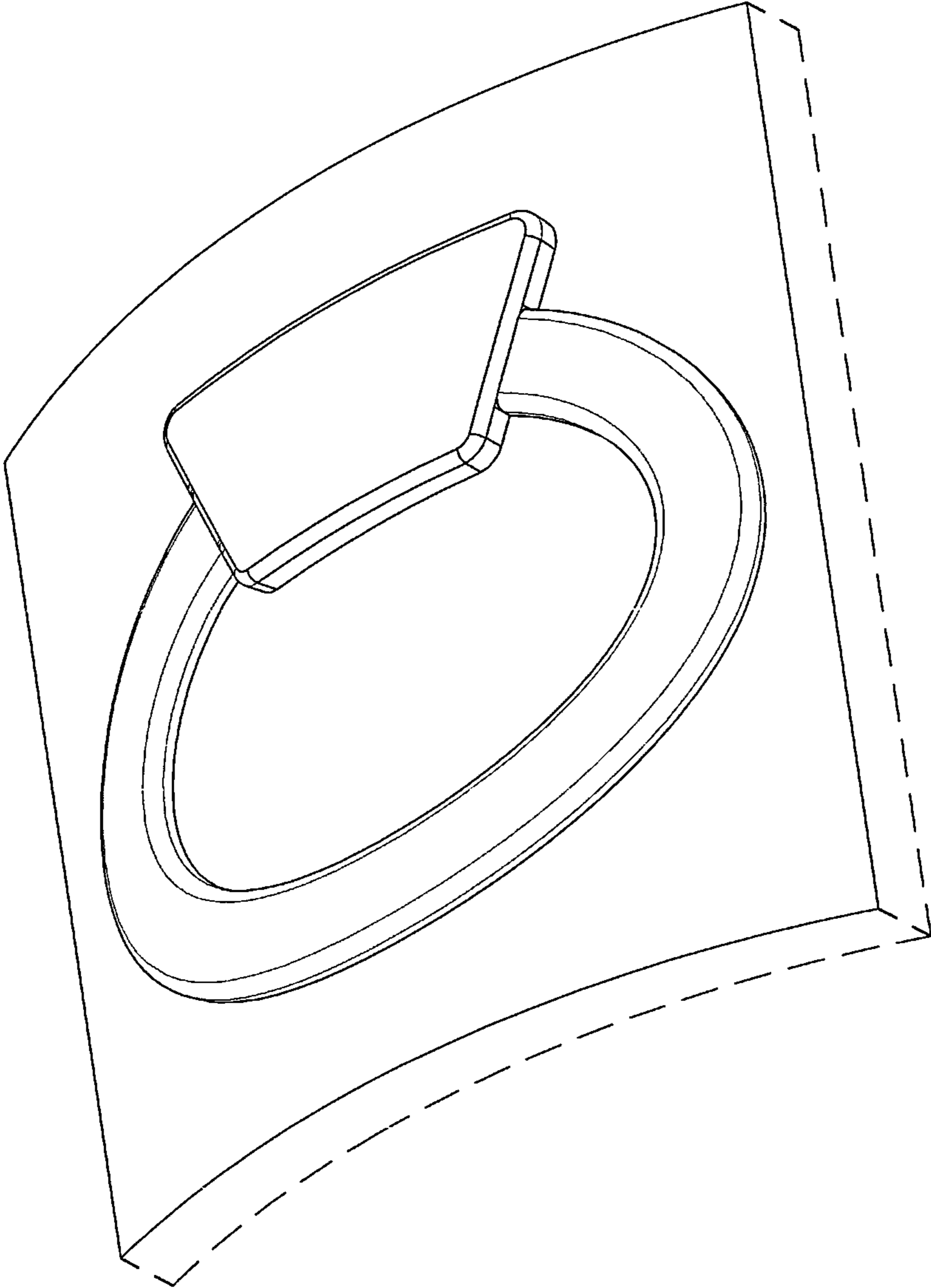
|               |         |               |       |         |
|---------------|---------|---------------|-------|---------|
| D22,077 S *   | 12/1892 | Curtis et al. | ..... | D25/138 |
| 1,003,225 A * | 9/1911  | Wootten       | ..... | 16/445  |

**1 Claim, 4 Drawing Sheets**

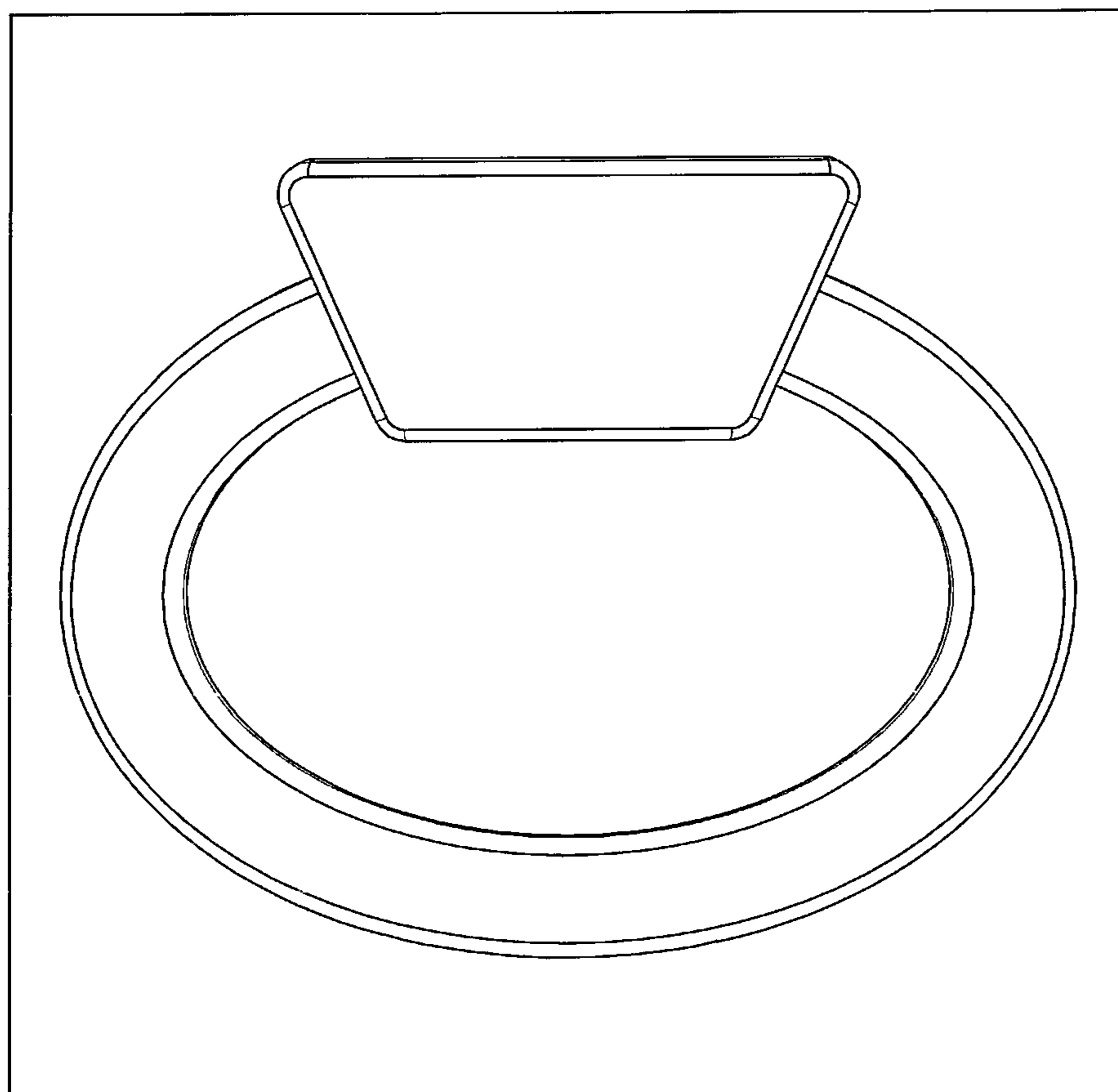




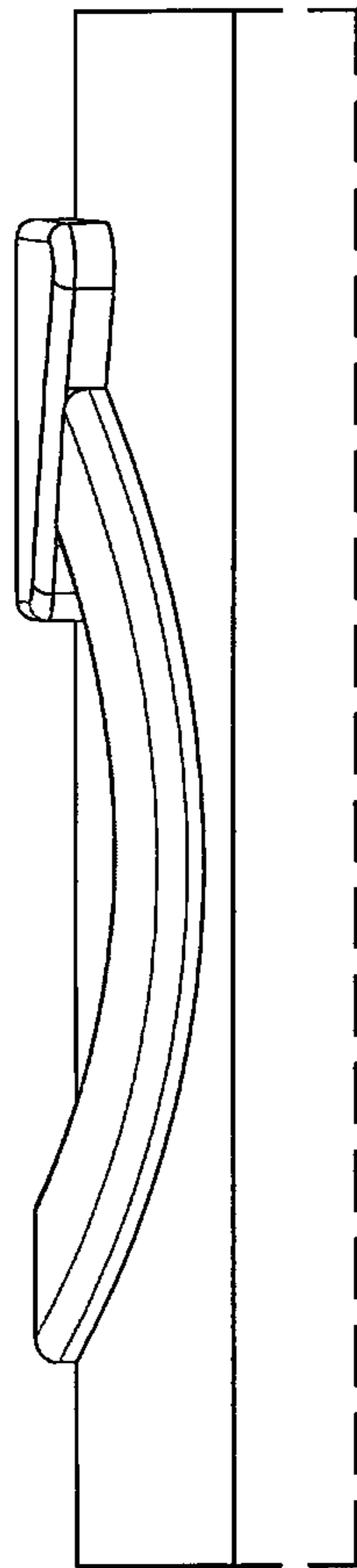
*Fig. 1*



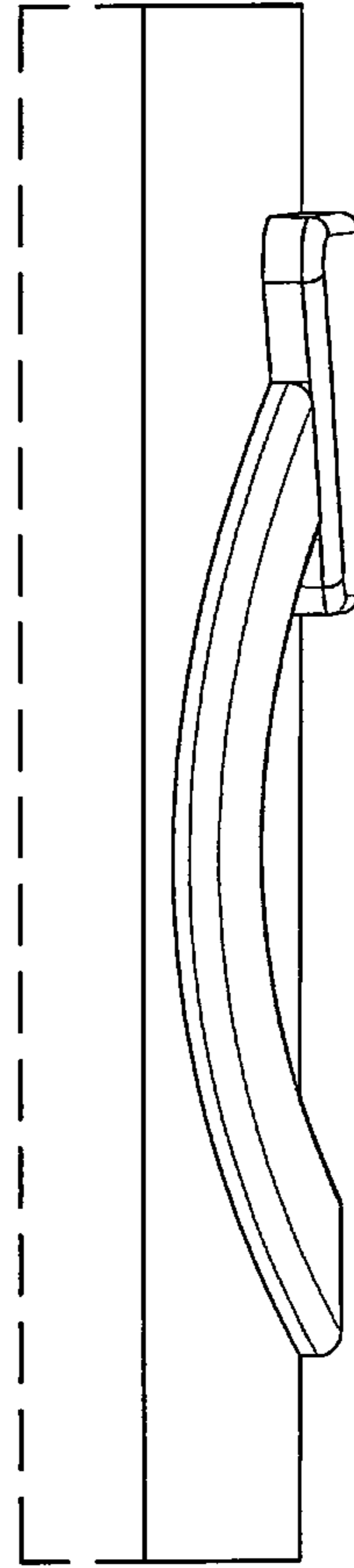
*Fig. 2*



*Fig. 3*



*Fig. 4*



*Fig. 5*