



US00D727199S

(12) **United States Design Patent**  
**Akana et al.**

(10) **Patent No.:** **US D727,199 S**  
(45) **Date of Patent:** **\*\* Apr. 21, 2015**

(54) **BAND**

- (71) Applicant: **Apple Inc.**, Cupertino, CA (US)
- (72) Inventors: **Jody Akana**, San Francisco, CA (US);  
**Bartley K. Andre**, Palo Alto, CA (US);  
**Shota Aoyagi**, San Francisco, CA (US);  
**Anthony Michael Ashcroft**, San Francisco, CA (US);  
**Jeremy Bataillou**, San Francisco, CA (US);  
**Daniel J. Coster**, San Francisco, CA (US);  
**Daniele De Iuliis**, San Francisco, CA (US);  
**M. Evans Hankey**, San Francisco, CA (US);  
**Julian Hoenig**, San Francisco, CA (US);  
**Richard P. Howarth**, San Francisco, CA (US);  
**Jonathan P. Ive**, San Francisco, CA (US);  
**Duncan Robert Kerr**, San Francisco, CA (US);  
**Marc A. Newson**, London (GB);  
**Matthew Dean Rohrbach**, San Francisco, CA (US);  
**Peter Russell-Clarke**, San Francisco, CA (US);  
**Benjamin Andrew Shaffer**, San Jose, CA (US);  
**Mikael Silvano**, San Francisco, CA (US);  
**Christopher J. Stringer**, Woodside, CA (US);  
**Eugene Antony Whang**, San Francisco, CA (US);  
**Rico Zörkendörfer**, San Francisco, CA (US)

(73) Assignee: **Apple Inc.**, Cupertino, CA (US)

(\*\*) Term: **14 Years**

(21) Appl. No.: **29/498,997**

(22) Filed: **Aug. 11, 2014**

(51) **LOC (10) Cl.** ..... **11-01**

(52) **U.S. Cl.**  
USPC ..... **D11/3**

(58) **Field of Classification Search**  
USPC ..... D11/1-25, 86, 94; D10/30-39, 70, 46;  
24/456, 574.1, 587.11, 587.12, 578.15;  
600/301; 224/164, 175; 368/276, 281,  
368/282, 285

See application file for complete search history.

(56) **References Cited**

U.S. PATENT DOCUMENTS

1,712,564 A 5/1929 Jones  
1,712,582 A 5/1929 Renz

(Continued)

FOREIGN PATENT DOCUMENTS

CN 2613171 Y 4/2004  
EP 1136010 B1 11/2003

(Continued)

OTHER PUBLICATIONS

[Online] <http://i1-news.softpedia-static.com/images/news2/The-Chips-for-Apple-s-Smartwatch-Are-Entering-Production-464937-2.jpg>. Retrieved Feb. 17, 2015.\*

(Continued)

*Primary Examiner* — Jennifer Rivard

*Assistant Examiner* — Melanie Pellegrini

(74) *Attorney, Agent, or Firm* — Sterne, Kessler, Goldstein & Fox P.L.L.C.

(57) **CLAIM**

The ornamental design for a band, as shown and described.

**DESCRIPTION**

FIG. 1 is a bottom front perspective view of a band showing our new design;

FIG. 2 is a bottom rear perspective view thereof;

FIG. 3 is a front view thereof;

FIG. 4 is a rear view thereof;

FIG. 5 is a left side view thereof;

FIG. 6 is a right side view thereof;

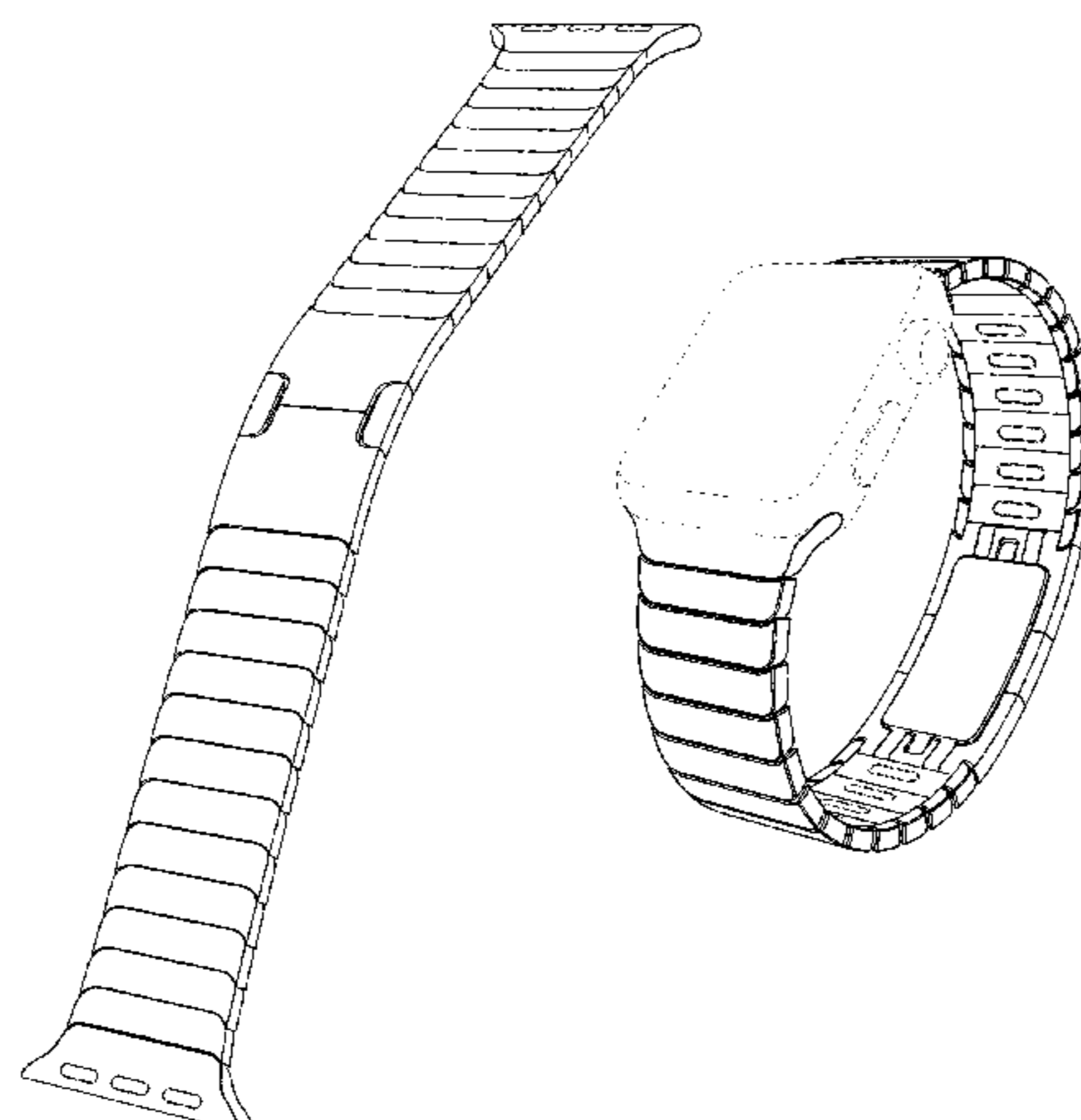
FIG. 7 is a top view thereof;

FIG. 8 is a bottom view thereof; and,

FIG. 9 is a perspective view thereof showing the band in an environment in which it may be used.

The broken lines in FIG. 9 show environment that forms no part of the claimed design.

**1 Claim, 6 Drawing Sheets**



(56)

References Cited

U.S. PATENT DOCUMENTS

1,738,407 A 12/1929 Tost  
 1,740,894 A 12/1929 Johnson  
 1,760,662 A 5/1930 Prestinari  
 1,764,440 A 6/1930 Gammell et al.  
 1,784,582 A 12/1930 Doppenschmitt  
 1,786,943 A 12/1930 Gammell  
 3,030,686 A 4/1962 Burkhardt  
 3,372,500 A 3/1968 Claude  
 3,665,565 A 5/1972 Kruger  
 3,675,284 A 7/1972 Rieth  
 3,914,933 A 10/1975 Carlone  
 3,994,126 A 11/1976 Rieth  
 D249,244 S \* 9/1978 Salter ..... D10/32  
 4,125,920 A 11/1978 Grimes  
 D250,634 S \* 12/1978 Porsche ..... D10/32  
 D251,829 S \* 5/1979 Sulek ..... D10/32  
 D256,568 S 8/1980 Young  
 4,266,400 A 5/1981 Tabata  
 D287,705 S 1/1987 Malamoud  
 4,681,461 A 7/1987 Gogniat  
 5,239,521 A 8/1993 Blonder  
 D339,309 S \* 9/1993 Butler ..... D11/19  
 5,363,351 A 11/1994 Carney  
 5,441,686 A 8/1995 Jackl  
 D408,301 S \* 4/1999 Porsche et al. .... D10/32  
 D424,952 S \* 5/2000 Porsche et al. .... D10/32  
 6,101,842 A 8/2000 Delacretaz  
 6,198,698 B1 3/2001 Graves  
 D473,818 S 4/2003 Salvisberg  
 D488,392 S \* 4/2004 Tschumi ..... D10/32  
 D494,098 S 8/2004 Cohen  
 6,782,690 B2 8/2004 Kwan  
 7,013,631 B2 3/2006 Carrola  
 D581,811 S \* 12/2008 Messmer et al. .... D10/32  
 D584,170 S \* 1/2009 Morrison ..... D10/32  
 D588,472 S \* 3/2009 Messmer et al. .... D10/32  
 D631,761 S \* 2/2011 Barbier ..... D10/32  
 D642,074 S \* 7/2011 Chastaingt ..... D10/32  
 D671,015 S \* 11/2012 Monachon ..... D10/32  
 D674,710 S \* 1/2013 Monachon ..... D10/32  
 8,601,784 B2 12/2013 Kaltenrieder  
 D704,077 S \* 5/2014 Monachon ..... D10/32  
 D720,630 S \* 1/2015 Nashimoto ..... D10/32  
 2005/0207284 A1 9/2005 Hiranuma  
 2005/0210857 A1 \* 9/2005 Carrola ..... 59/80

2012/0168471 A1 7/2012 Wilson  
 2014/0096345 A1 4/2014 Tschumi  
 2014/0098649 A1 4/2014 Tschumi

FOREIGN PATENT DOCUMENTS

EP 2636328 A1 9/2013  
 GB 618917 A 3/1949  
 GB 2047514 A 12/1980  
 GB 2033807 3/1994  
 GB 2082277 6/1999  
 GB 2086601 11/1999  
 GB 2095450 12/2000  
 JP 5479052 B2 4/2014  
 WO 9117679 A1 11/1991  
 WO 033704-002 9/1995  
 WO 041969-001 1/1998  
 WO 047086-002 5/1999  
 WO 061681-002 10/2002  
 WO 063315-002 5/2003  
 WO 068937-006 6/2007  
 WO 070624-004 10/2008  
 WO 074430-001 11/2010  
 WO 2013182397 12/2013

OTHER PUBLICATIONS

U.S. Appl. No. 29/501,059, filed Aug. 29, 2014.  
 Suunto D6 Replacement Stainless Metal Watch Band Bracelet SS013525000 w/ Free Shipping and Handling, <<http://www.opticsplanet.com/suunto-d6-replacement-stainless-bracelet.html>>, accessed Dec. 5, 2014.  
 Ipod Nano Watch Band Metal, <<http://trend-kid.com/ipod-nano-watch-band-orange.htm>>, accessed Dec. 5, 2014.  
 Twist-O-Flex Radial (16-21mm, Stainless Steel), <<http://www.thewatchprince.com/Speidel-Twist-O-Flex-Expansion-Radial-Stainless>>, accessed Dec. 5, 2014.  
 Haedges, "1 Set Silver End Cap Clasp Findings Large Toggle Clasp End Caps Buckle Connector with Five Inside Loops for Jewelry Making 26mm," <<http://www.etsy.com/listing/101269004/1-set-silver-end-cap-clasp-findings?ref=market>>, Listed on Aug. 29, 2014, accessed Oct. 9, 2014.  
 Thomas Ricker, "Nike's Amp+ watch: hearts your heart and iPod, too," Oct. 5, 2007, <<http://www.engadget.com/2007/10/05/nikes-amp-watch-hearts-your-heart-and-ipod-too/>>, accessed Dec. 17, 2014.

\* cited by examiner

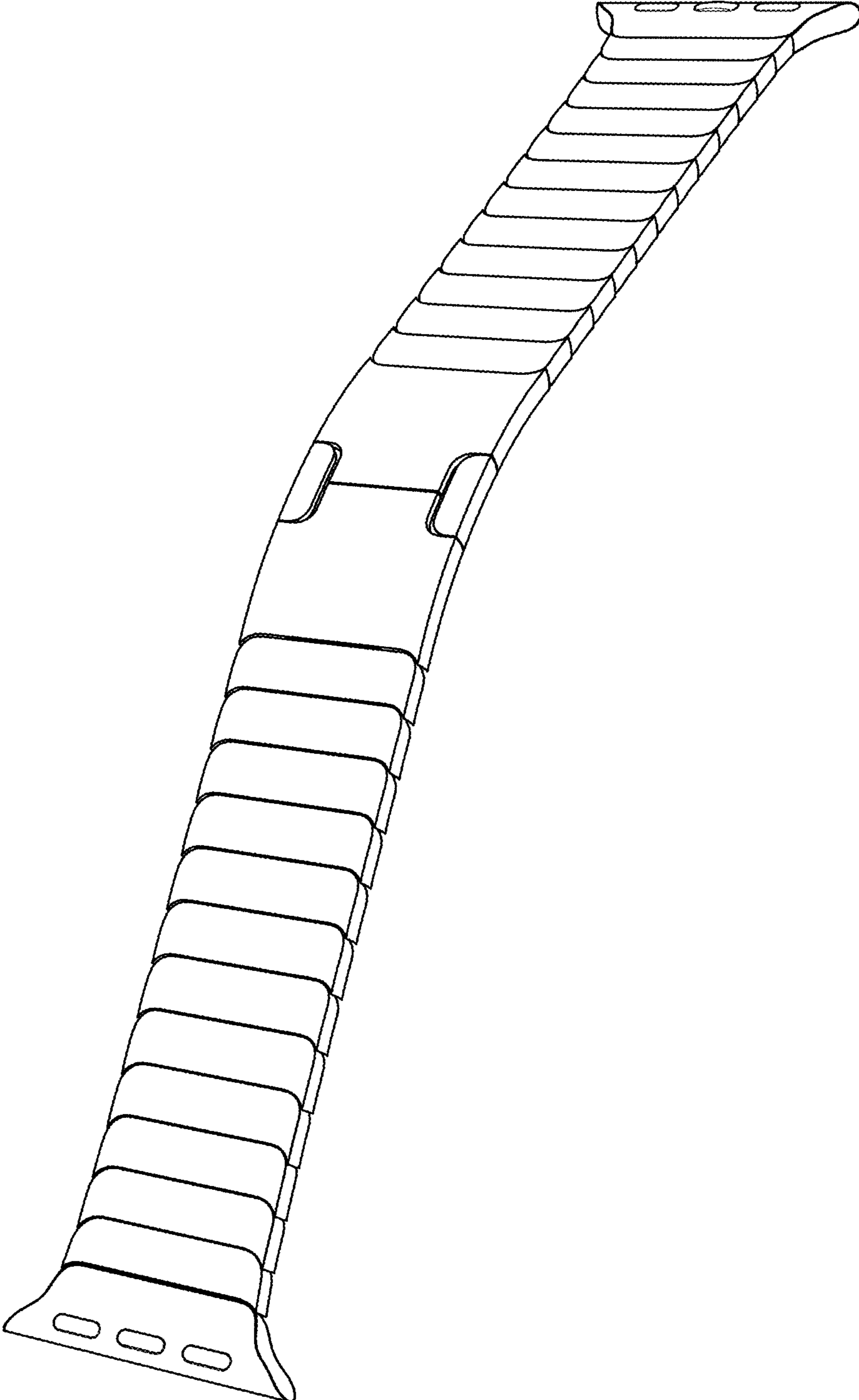


FIG. 1



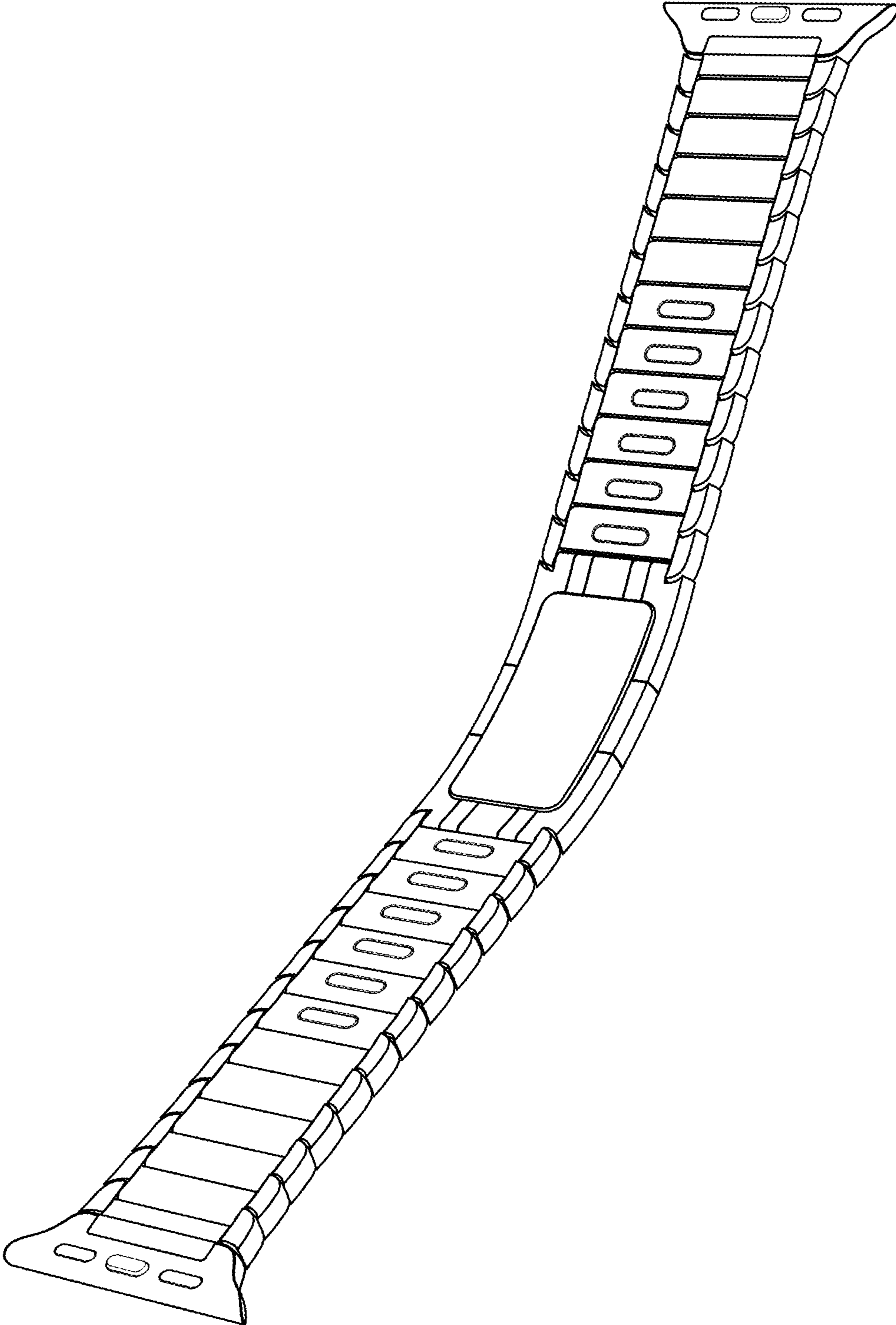


FIG. 2

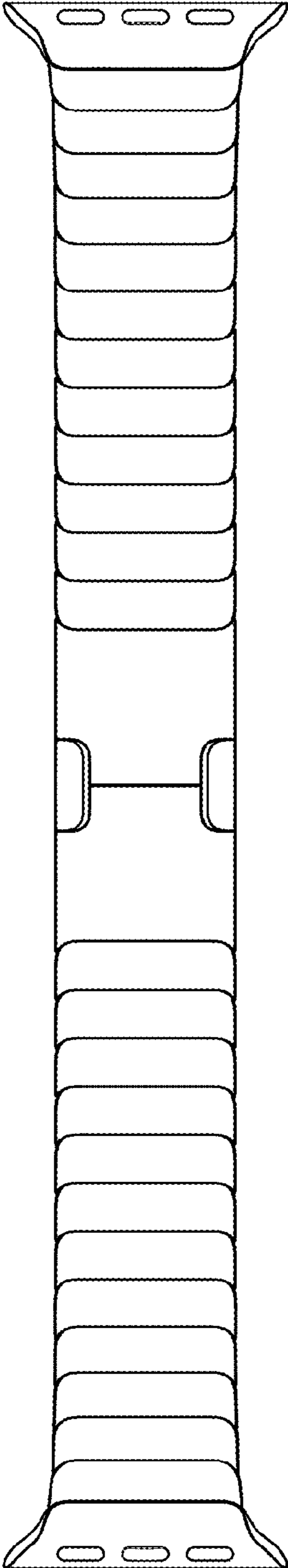


FIG. 3

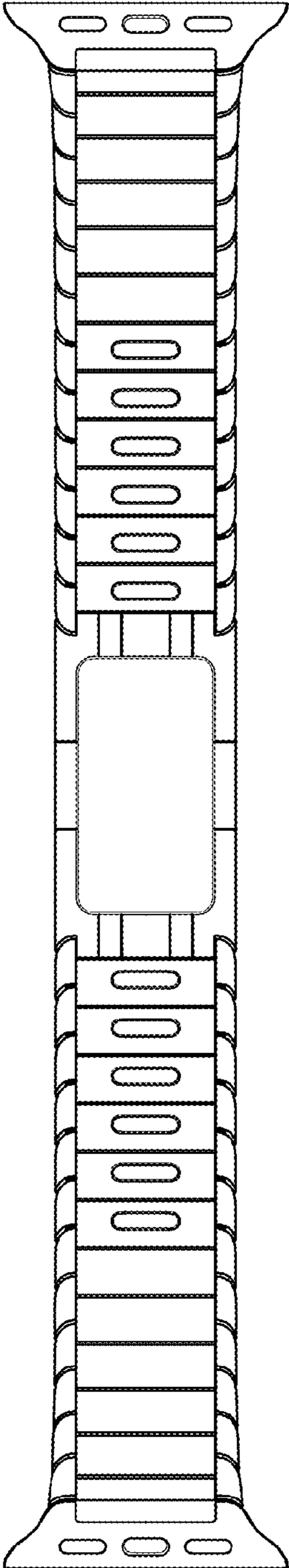


FIG. 4

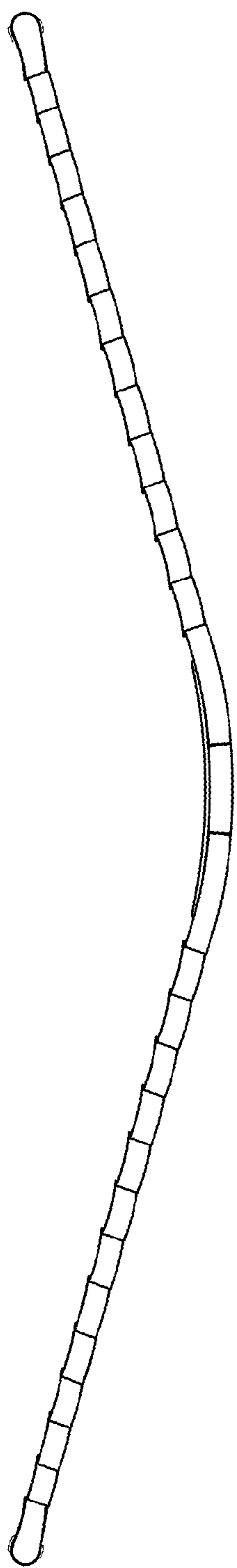


FIG. 5

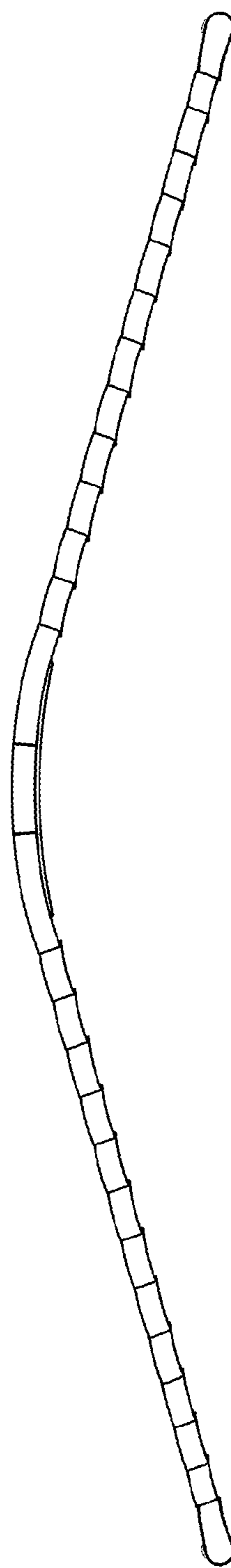
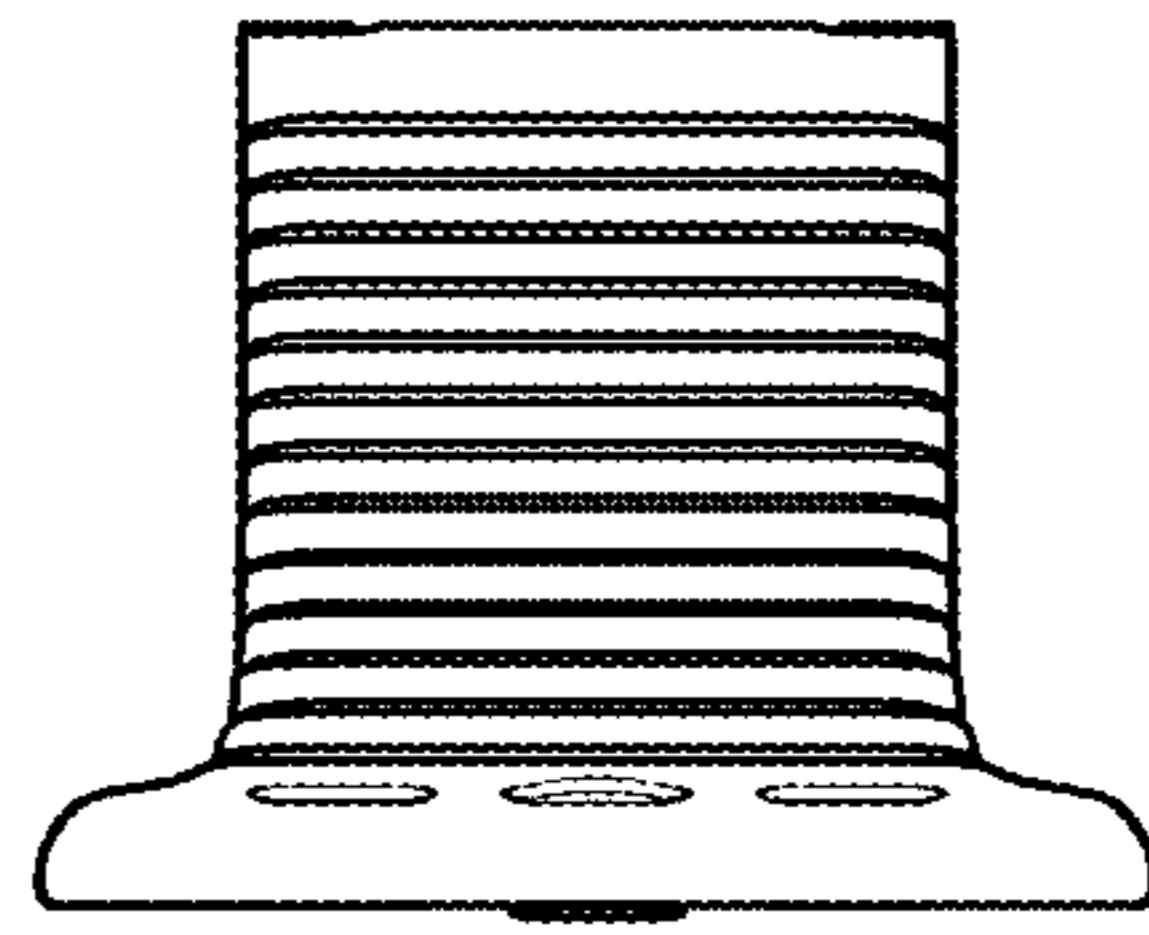
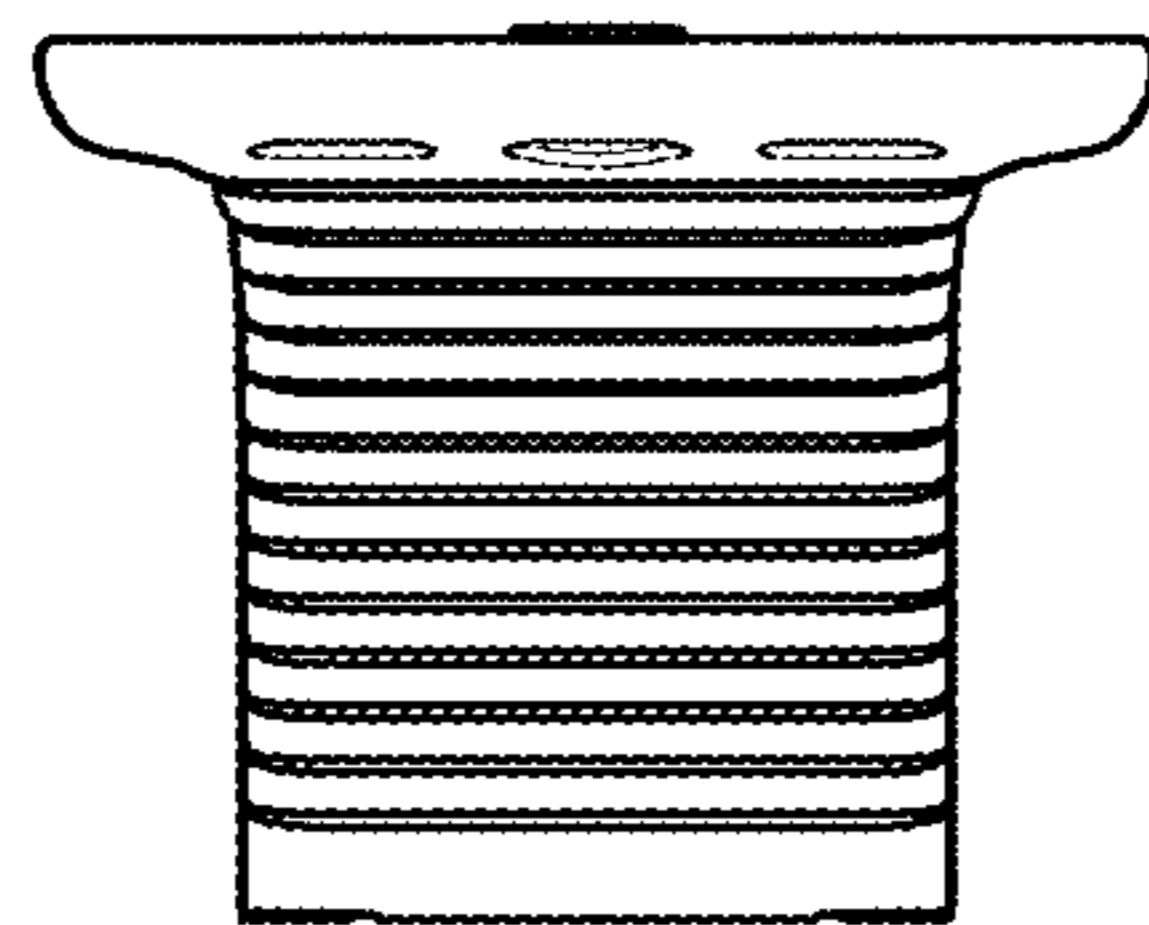


FIG. 6



**FIG. 7**



**FIG. 8**

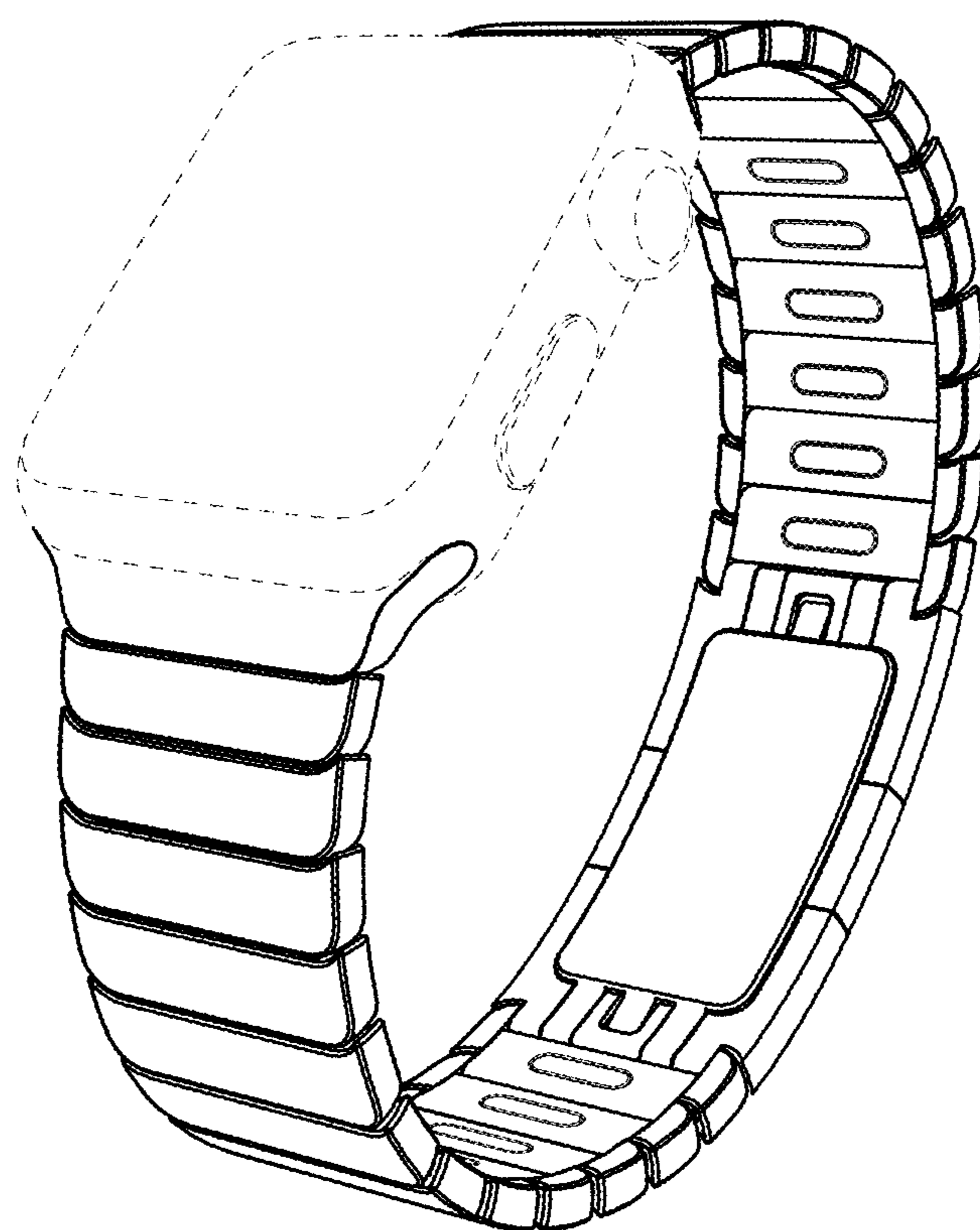


FIG. 9



UNITED STATES PATENT AND TRADEMARK OFFICE  
**CERTIFICATE OF CORRECTION**

PATENT NO. : D727,199 S  
APPLICATION NO. : 29/498997  
DATED : April 21, 2015  
INVENTOR(S) : Akana et al.

Page 1 of 4

It is certified that error appears in the above-identified patent and that said Letters Patent is hereby corrected as shown below:

Delete Title page with illustrative figures, and replace with new Title page with illustrative figures.  
(attached)

Delete figures 2 and 4, and replace with new figures 2 and 4. (attached)

Signed and Sealed this  
Fifth Day of July, 2016



Michelle K. Lee  
*Director of the United States Patent and Trademark Office*

(12) **United States Design Patent**  
Akana et al.

(10) **Patent No.:** US D727,199 S  
(45) **Date of Patent:** \*\* Apr. 21, 2015

(54) **BAND**

(56) **References Cited**

(71) Applicant: **Apple Inc., Cupertino, CA (US)**

**U.S. PATENT DOCUMENTS**

(72) Inventors: **Jody Akana, San Francisco, CA (US); Bartley K. Andre, Palo Alto, CA (US); Shota Aoyagi, San Francisco, CA (US); Anthony Michael Ashcroft, San Francisco, CA (US); Jeremy Bataillon, San Francisco, CA (US); Daniel J. Coster, San Francisco, CA (US); Dantele De Iullis, San Francisco, CA (US); M. Evans Hankey, San Francisco, CA (US); Julian Hoenig, San Francisco, CA (US); Richard P. Howarth, San Francisco, CA (US); Jonathan P. Ive, San Francisco, CA (US); Duncan Robert Kerr, San Francisco, CA (US); Marc A. Newson, London (GB); Matthew Dean Rohrbach, San Francisco, CA (US); Peter Russell-Clarke, San Francisco, CA (US); Benjamin Andrew Shaffer, San Jose, CA (US); Mikael Silvano, San Francisco, CA (US); Christopher J. Stringer, Woodside, CA (US); Eugene Antony Whang, San Francisco, CA (US); Rico Zörkendörfer, San Francisco, CA (US)**

1,712,564 A 5/1929 Jones  
1,712,582 A 5/1929 Renz

(Continued)

**FOREIGN PATENT DOCUMENTS**

CN 2613171 Y 4/2004  
EP 1136010 B1 11/2003

(Continued)

**OTHER PUBLICATIONS**

[Online] <http://il-news.softpedia-static.com/images/news2/The-Chips-for-Apple-s-Smartwatch-Are-Entering-Production-464937-2.jpg>. Retrieved Feb. 17, 2015.\*

(Continued)

*Primary Examiner* — Jennifer Rivard

*Assistant Examiner* — Melanie Pellegrini

(74) *Attorney, Agent, or Firm* — Sterne, Kessler, Goldstein & Fox P.L.L.C.

(57) **CLAIM**

The ornamental design for a band, as shown and described.

**DESCRIPTION**

FIG. 1 is a bottom front perspective view of a band showing our new design;

FIG. 2 is a bottom rear perspective view thereof;

FIG. 3 is a front view thereof;

FIG. 4 is a rear view thereof;

FIG. 5 is a left side view thereof;

FIG. 6 is a right side view thereof;

FIG. 7 is a top view thereof;

FIG. 8 is a bottom view thereof; and,

FIG. 9 is a perspective view thereof showing the band in an environment in which it may be used.

The broken lines in FIG. 9 show environment that forms no part of the claimed design.

(73) Assignee: **Apple Inc., Cupertino, CA (US)**

(\*\*) Term: **14 Years**

(21) Appl. No.: **29/498,997**

(22) Filed: **Aug. 11, 2014**

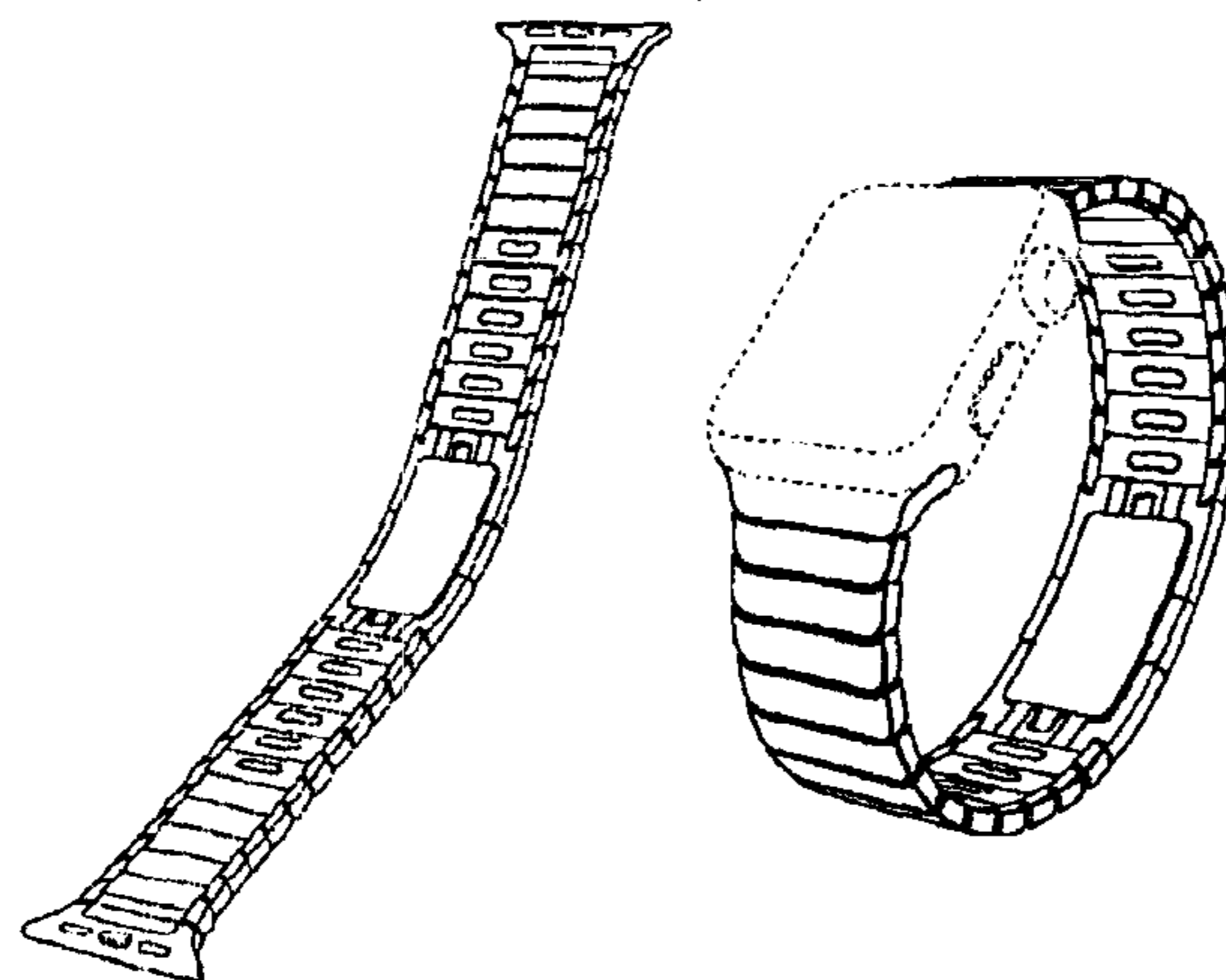
(51) LOC (10) Cl. .... 11-01

(52) U.S. Cl. .... D11/3  
USPC .....

(58) **Field of Classification Search**  
USPC ..... D11/1-25, 86, 94; D10/30-39, 70, 46;  
24/456, 574.1, 587.11, 587.12, 578.15;  
600/301; 224/164, 175; 368/276, 281,  
368/282, 285

See application file for complete search history.

**1 Claim, 6 Drawing Sheets**



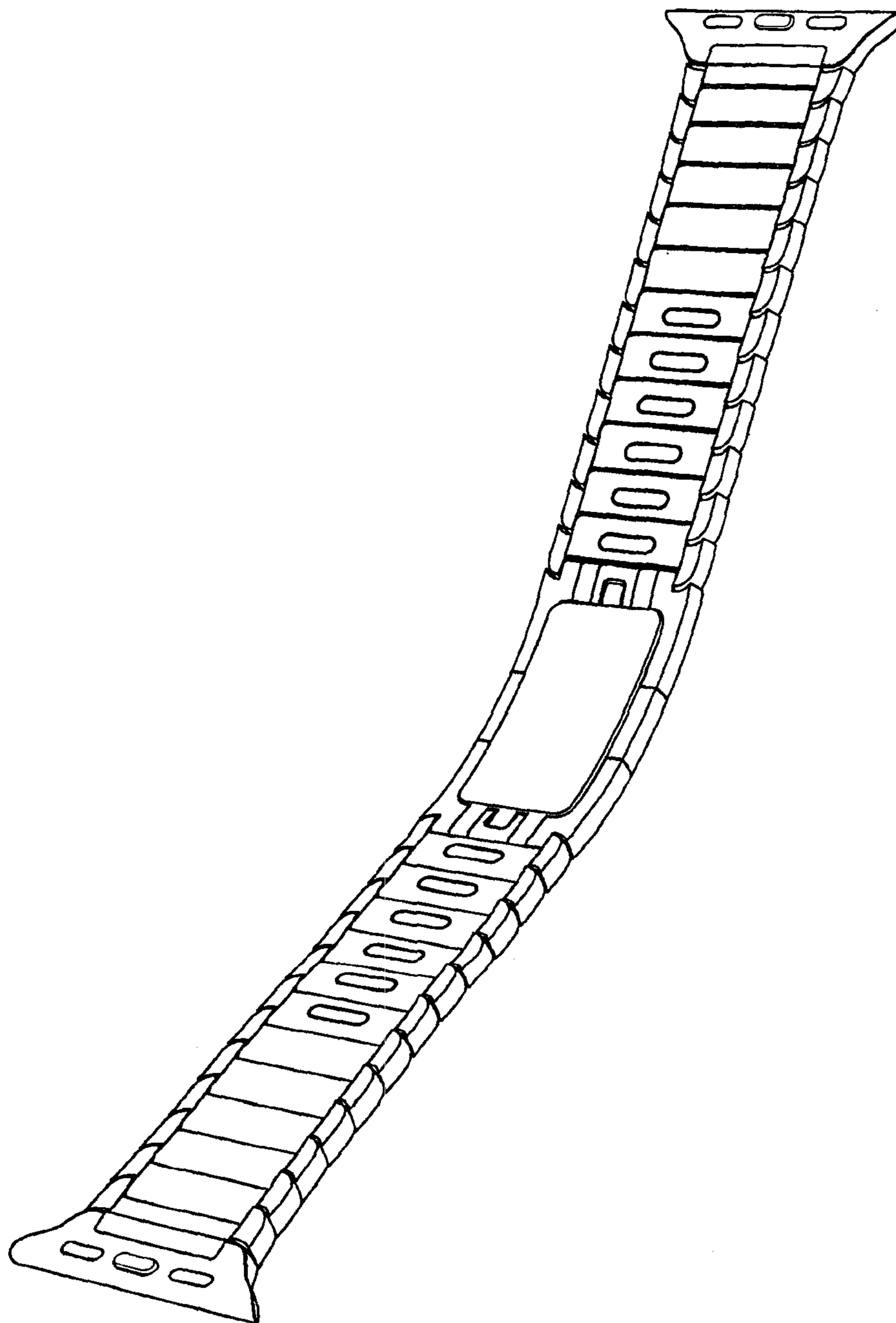


FIG. 2

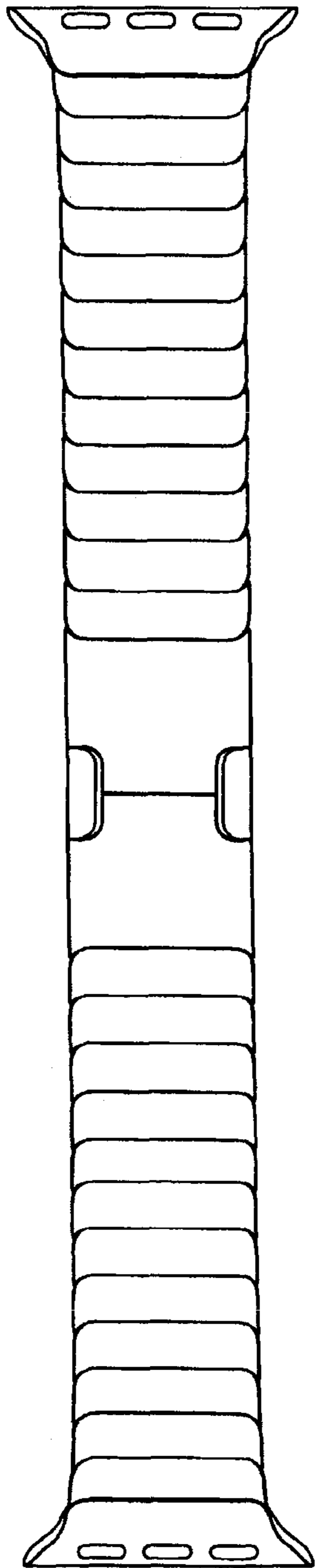


FIG. 3

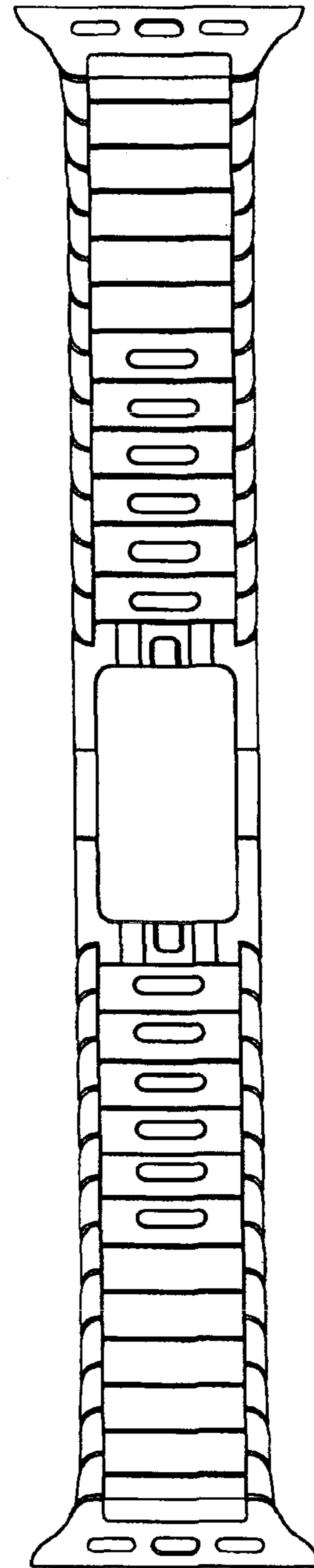


FIG. 4