



US00D727196S

(12) **United States Design Patent**
Tanner

(10) **Patent No.:** **US D727,196 S**

(45) **Date of Patent:** **** Apr. 21, 2015**

(54) **WRISTBAND**

(71) Applicant: **Pinner Creek Group LLC**, Rye, NY
(US)

(72) Inventor: **Mark Tanner**, New York, NY (US)

(**) Term: **14 Years**

(21) Appl. No.: **29/497,134**

(22) Filed: **Jul. 21, 2014**

(51) **LOC (10) Cl.** **11-01**

(52) **U.S. Cl.**
USPC **D11/3**

(58) **Field of Classification Search**
USPC D11/1-29; 63/1.11, 1.13-1.17, 3, 3.1,
63/3.2, 5.1, 6, 7, 12, 15, 15.1-15.3, 15.45,
63/15.5, 21, 33, 40, 41; D30/150-153;
D10/30-32; D24/186; D14/172, 204,
D14/206, 221, 344; D28/41

See application file for complete search history.

(56) **References Cited**

U.S. PATENT DOCUMENTS

3,983,483	A *	9/1976	Pando	D11/6
5,283,969	A *	2/1994	Weiss	63/3
D512,415	S *	12/2005	Brimhall et al.	D14/221
D556,194	S *	11/2007	Rambosek et al.	D11/2
D558,198	S *	12/2007	Blankenship et al.	D11/2

D564,367	S *	3/2008	Molyneux	D10/31
D571,684	S *	6/2008	Kim	D11/2
D594,000	S *	6/2009	Yeon	D14/226
D706,159	S *	6/2014	Ma	D11/3
D716,458	S *	10/2014	Snyder et al.	D24/186
2011/0194276	A1*	8/2011	Au	63/1.13

* cited by examiner

Primary Examiner — Garth Rademaker

Assistant Examiner — Llorellys Martinez-Rivera

(74) *Attorney, Agent, or Firm* — Buchalter Nemer PC

(57) **CLAIM**

The ornamental design for a wristband, as shown and described.

DESCRIPTION

FIG. 1 is a top, front and right side perspective view of a wristband showing my new design;

FIG. 2 is a bottom, rear and right side perspective view thereof;

FIG. 3 is a front elevation view thereof;

FIG. 4 is a rear elevation view thereof;

FIG. 5 is a right side elevation view thereof;

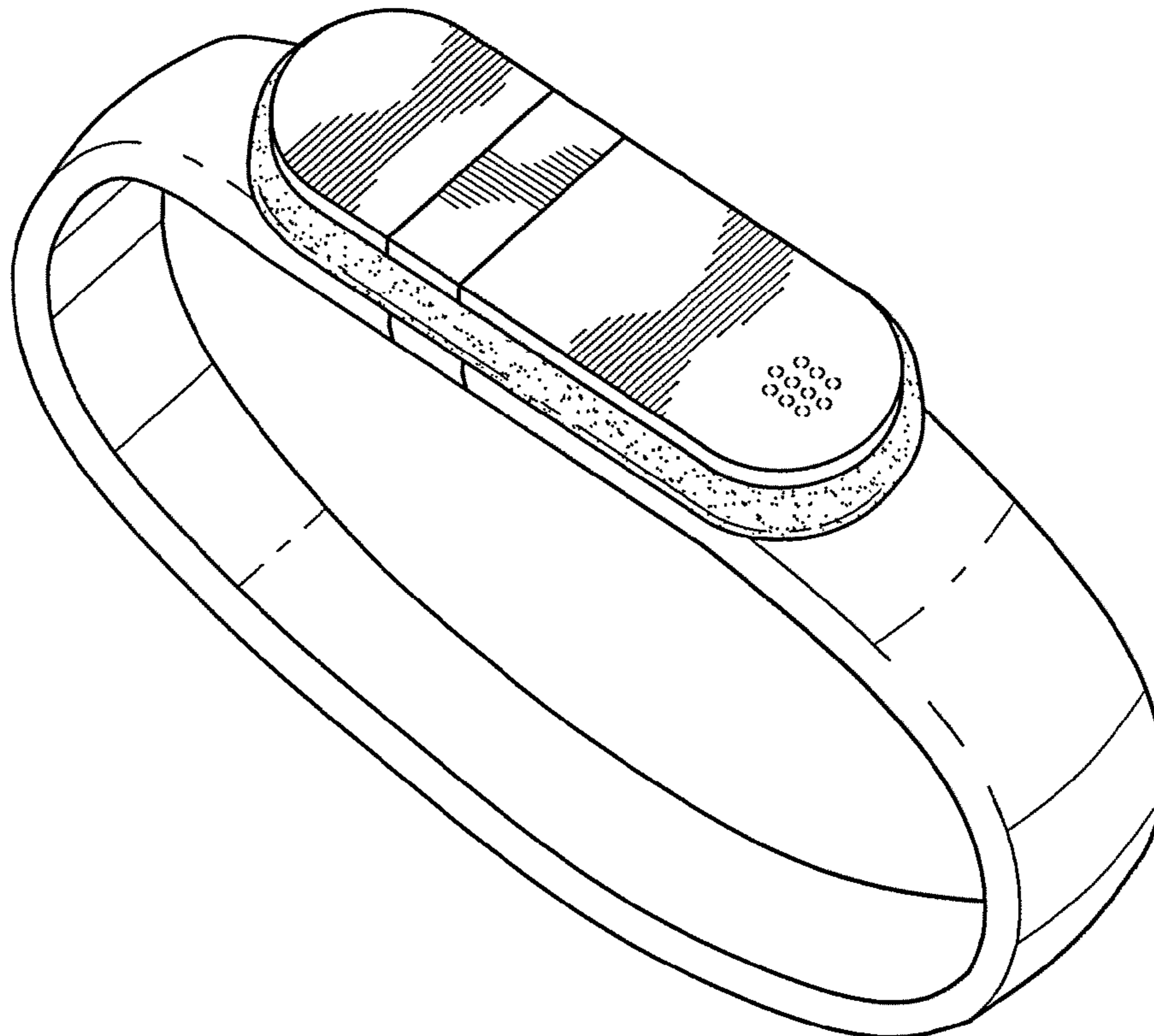
FIG. 6 is a left side elevation view thereof;

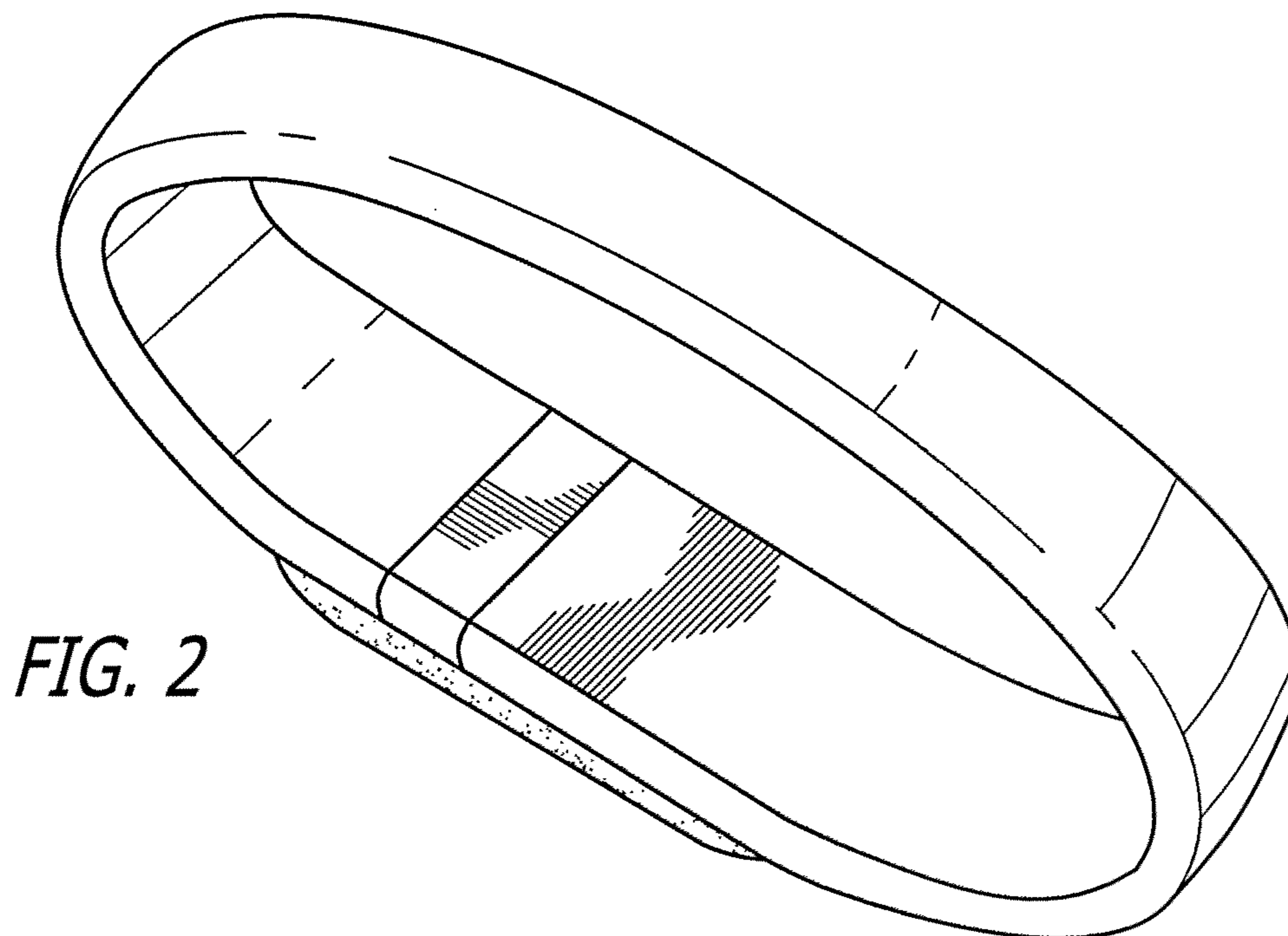
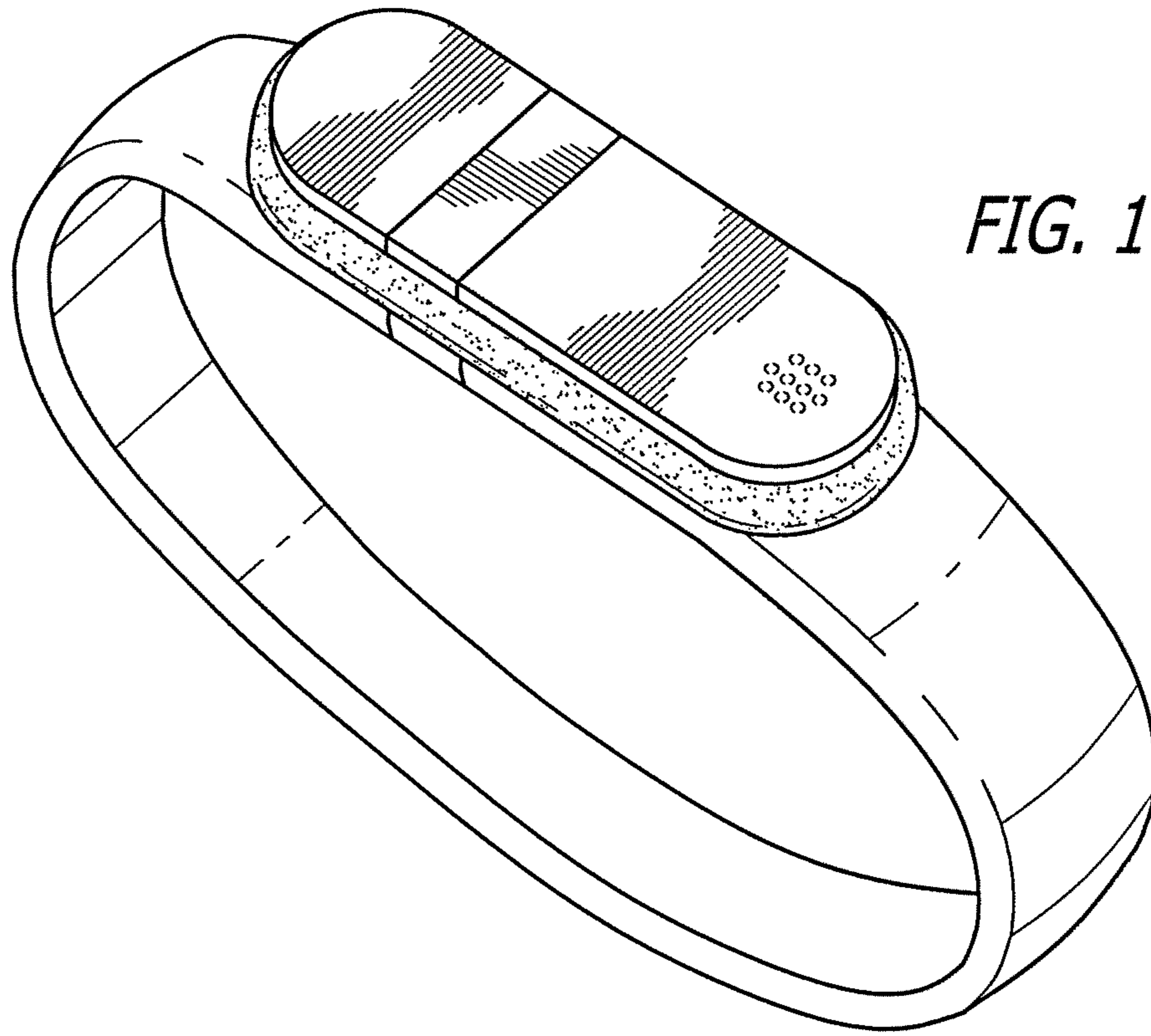
FIG. 7 is a top plan view thereof; and,

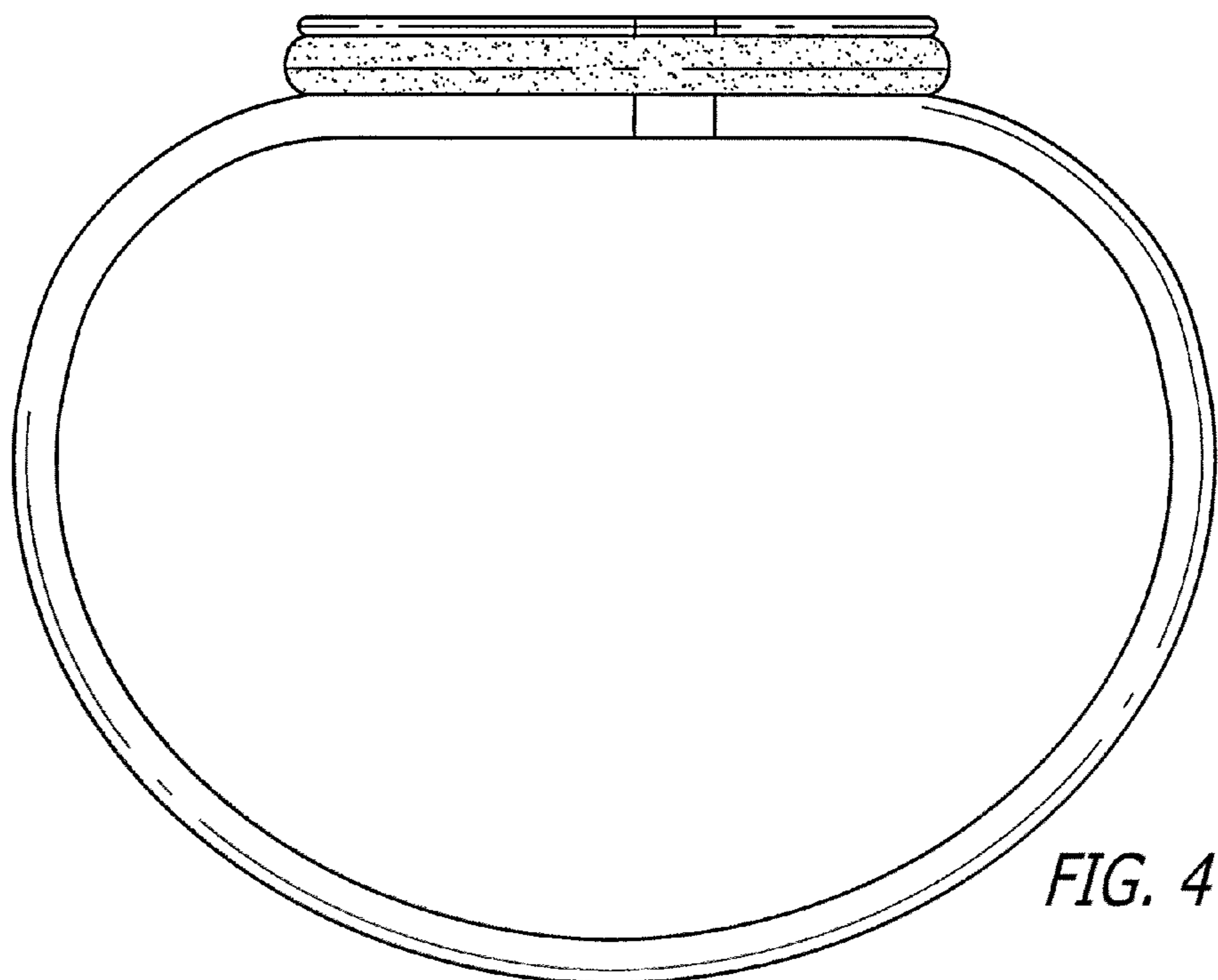
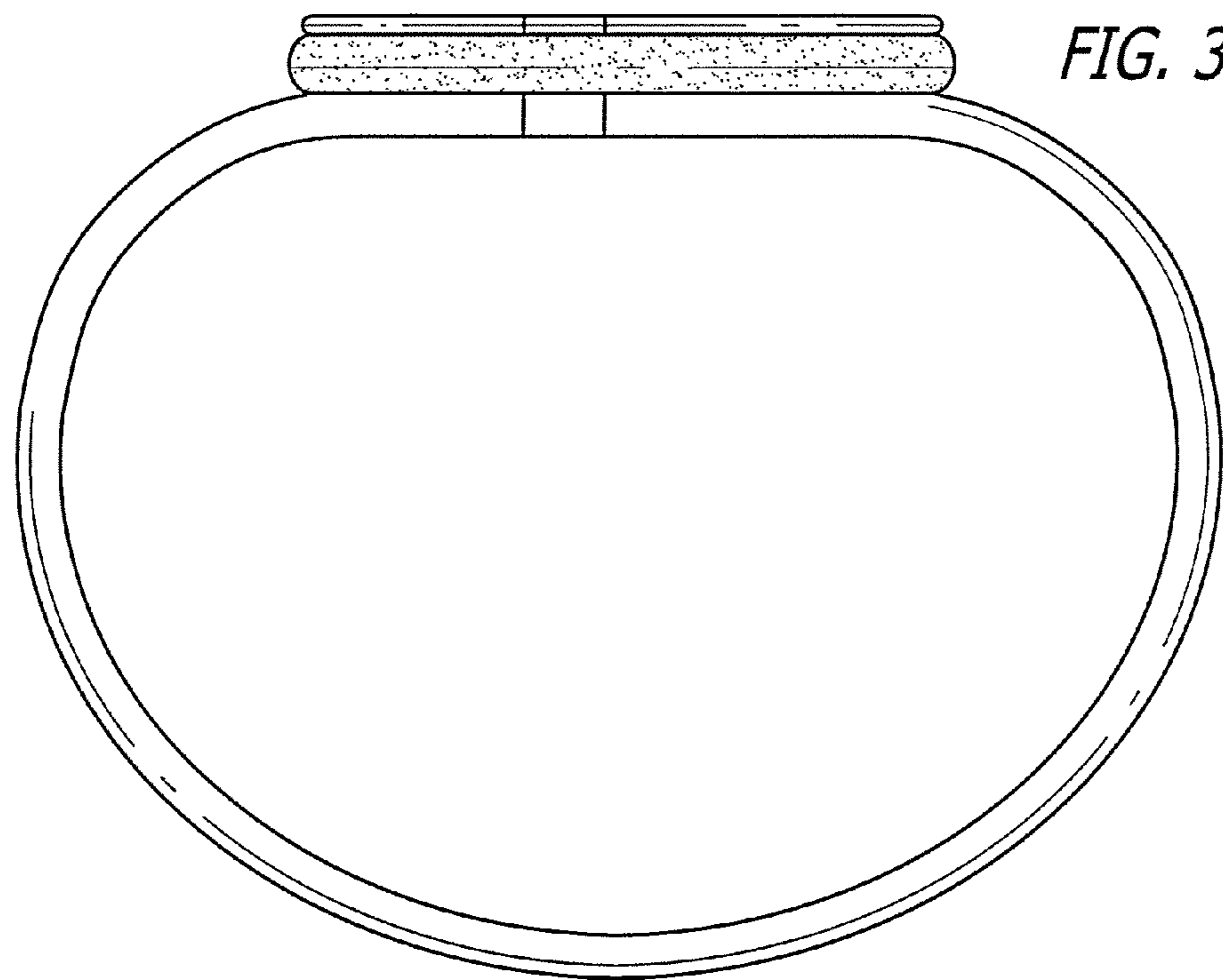
FIG. 8 is a bottom plan view thereof.

The broken lines shown in FIGS. 1 and 7 illustrate portions of the wristband that form no part of the claimed design.

1 Claim, 4 Drawing Sheets







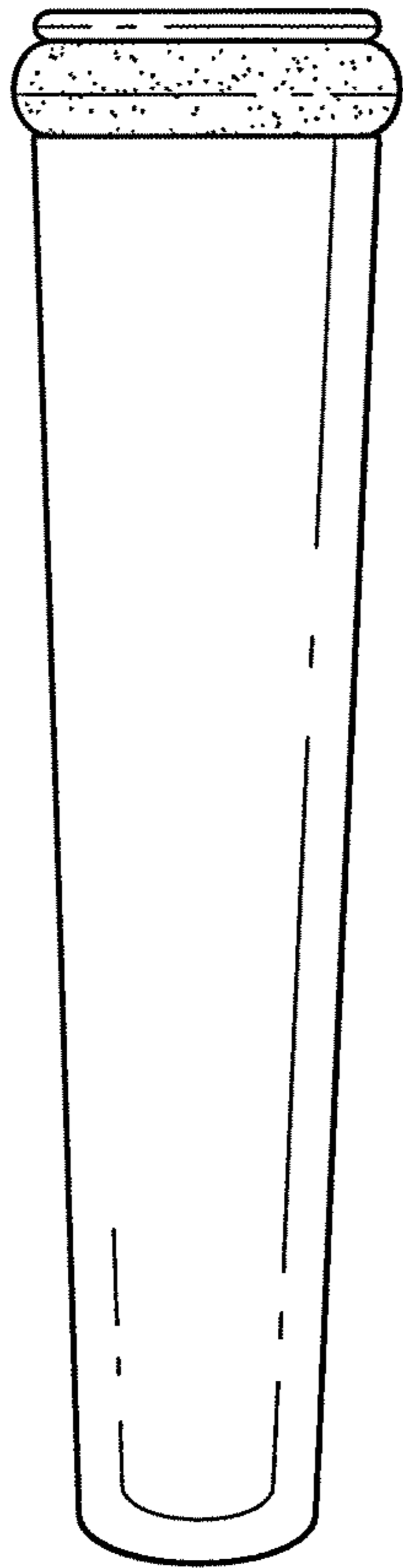


FIG. 5

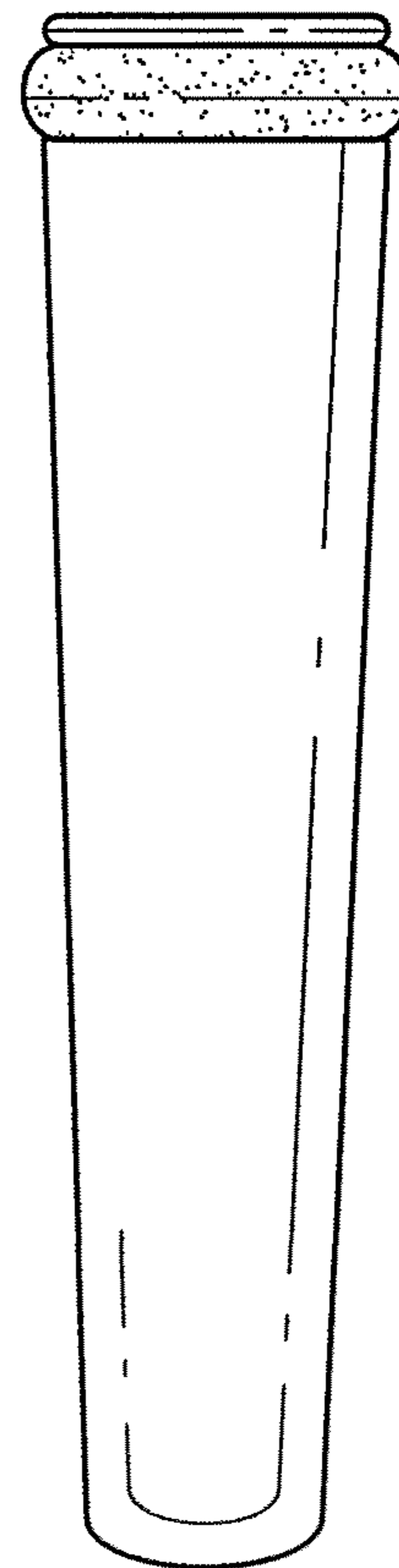


FIG. 6

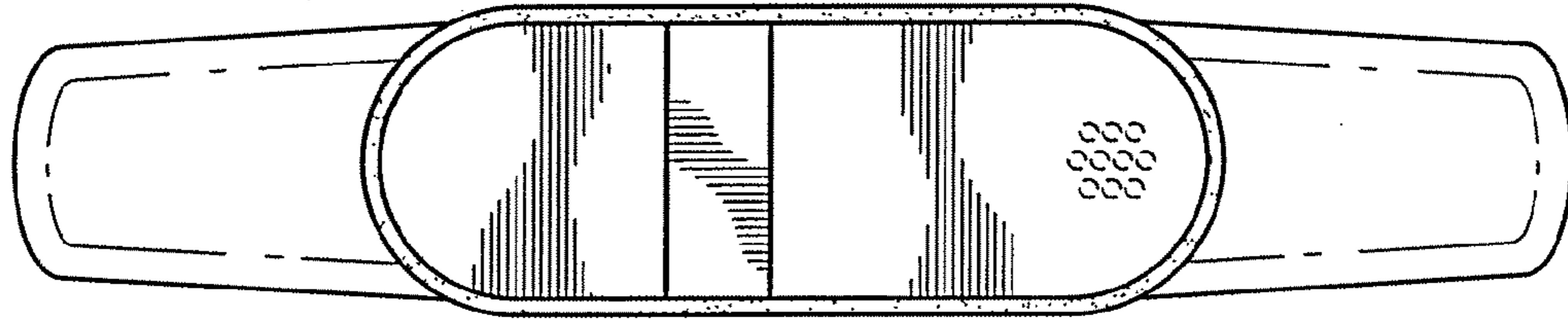


FIG. 7

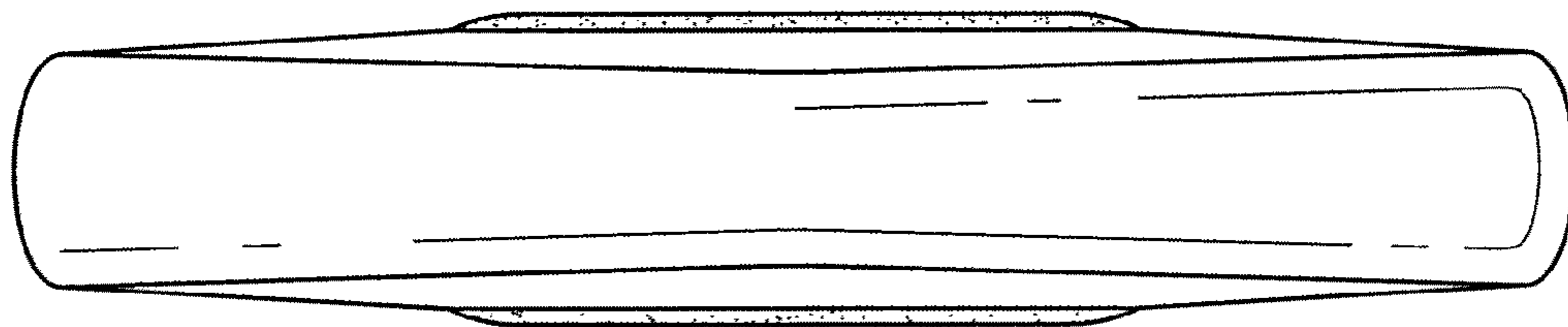


FIG. 8