



US00D727195S

(12) **United States Design Patent**  
**Wanliss-Orlebar et al.**

(10) **Patent No.:** **US D727,195 S**  
(45) **Date of Patent:** **\*\* Apr. 21, 2015**

(54) **WRISTBAND**

(71) Applicant: **Northern Fields, LLC**, Wilmington, DE (US)

(72) Inventors: **Andrew Wanliss-Orlebar**, Brooklyn, NY (US); **Lea Kobeli**, San Francisco, CA (US); **Charlie Nghiem**, Oakland, CA (US); **Jeffrey Salazar**, Palo Alto, CA (US)

(73) Assignee: **Northern Fields, LLC**, Wilmington, DE (US)

(\*\*) Term: **14 Years**

(21) Appl. No.: **29/495,551**

(22) Filed: **Jul. 2, 2014**

(51) **LOC (10) Cl.** ..... **11-01**

(52) **U.S. Cl.**  
USPC ..... **D11/3**

(58) **Field of Classification Search**

USPC ..... D11/1-29, 37-39, 86, 131, 131.1, 133, D11/140, 155, 157; 63/1.11, 1.13-1.17, 3, 63/3.1, 3.2, 5.1, 6, 7, 12, 15, 15.1-15.3, 63/15.45, 15.5, 21, 33, 40, 41; D10/30-32; 368/281-283; D14/344; D24/186, 194, 195, 206; D2/946, 976, D2/980; D28/41; 2/170

See application file for complete search history.

(56) **References Cited**

**U.S. PATENT DOCUMENTS**

D194,556 S \* 2/1963 Ranck ..... D28/41  
D444,395 S \* 7/2001 Upton ..... D10/30  
D471,471 S \* 3/2003 Fu et al. .... D10/32

(Continued)

**OTHER PUBLICATIONS**

Fitbit Flex review, published May 6, 2013, online. Site visited: Nov. 13, 2014. Internet URL: <"http://www.engadget.com/2013/05/06/fitbit-flex-review/">.\*

*Primary Examiner* — Cynthia Ramirez

*Assistant Examiner* — Lloreys Martinez-Rivera

(74) *Attorney, Agent, or Firm* — Siritzky Law, PLLC

(57) **CLAIM**

The ornamental design for a portion of a wristband, as shown and described.

**DESCRIPTION**

A portion of the disclosure of this patent document contains material which is subject to copyright protection. The copyright owner has no objection to the facsimile reproduction by anyone of the patent document or the patent disclosure, as it appears in the Patent and Trademark Office patent file or records, but otherwise reserves all copyright rights whatsoever.

FIG. 1 is a front perspective view of a wristband showing a first embodiment of our new design;

FIG. 2 is a front view thereof;

FIG. 3 is a back view thereof;

FIG. 4 is a side view thereof;

FIG. 5 is an opposite side view thereof;

FIG. 6 is a top view thereof;

FIG. 7 is a bottom view thereof;

FIG. 8 is front perspective view of a wristband, showing a second embodiment of our new design;

FIG. 9 is a front view thereof;

FIG. 10 is a back view thereof;

FIG. 11 is a side view thereof;

FIG. 12 is an opposite side view thereof;

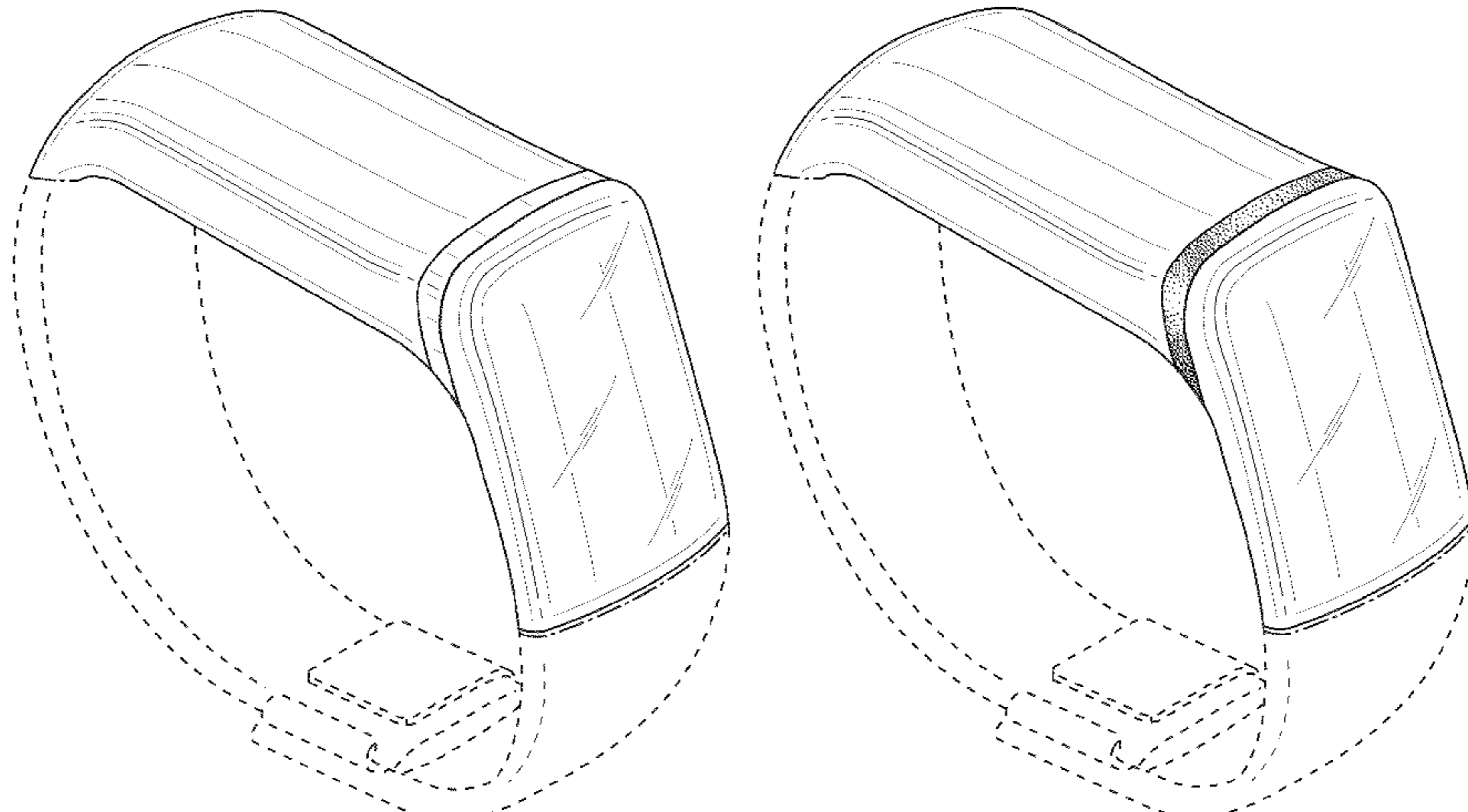
FIG. 13 is a top view thereof; and,

FIG. 14 is a bottom view thereof.

The evenly-spaced broken line portions of FIGS. 1-14 illustrate environmental subject matter only and form no part of the claimed design. The dot-dash broken line portions of FIGS. 1-14 illustrate claim boundaries and form no part of the claimed design.

The stippling in FIGS. 8 and 11-14 illustrates a contrasting surface not to be limited to a specific material or color.

**1 Claim, 10 Drawing Sheets**



# US D727,195 S

Page 2

---

(56)

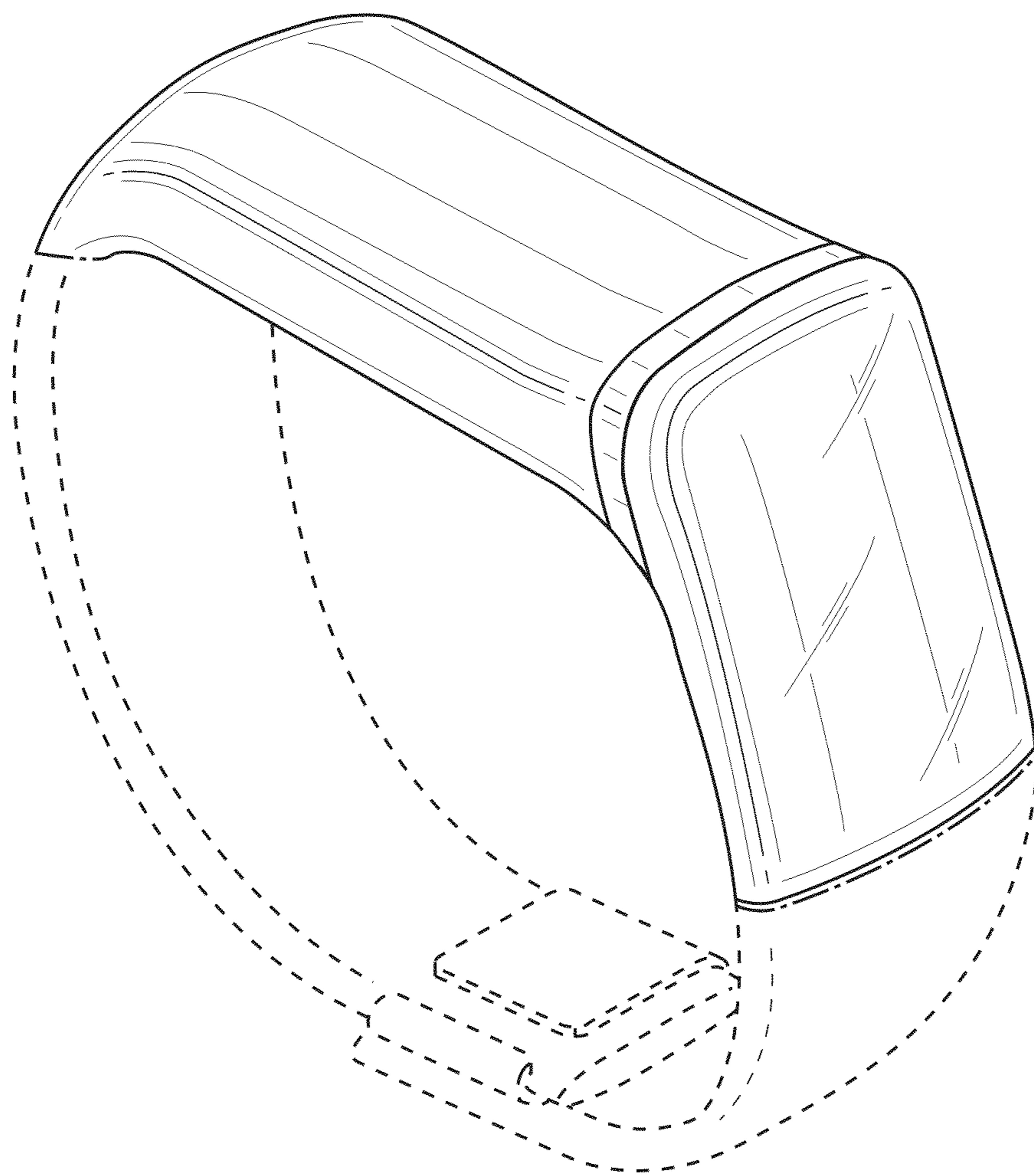
## References Cited

### U.S. PATENT DOCUMENTS

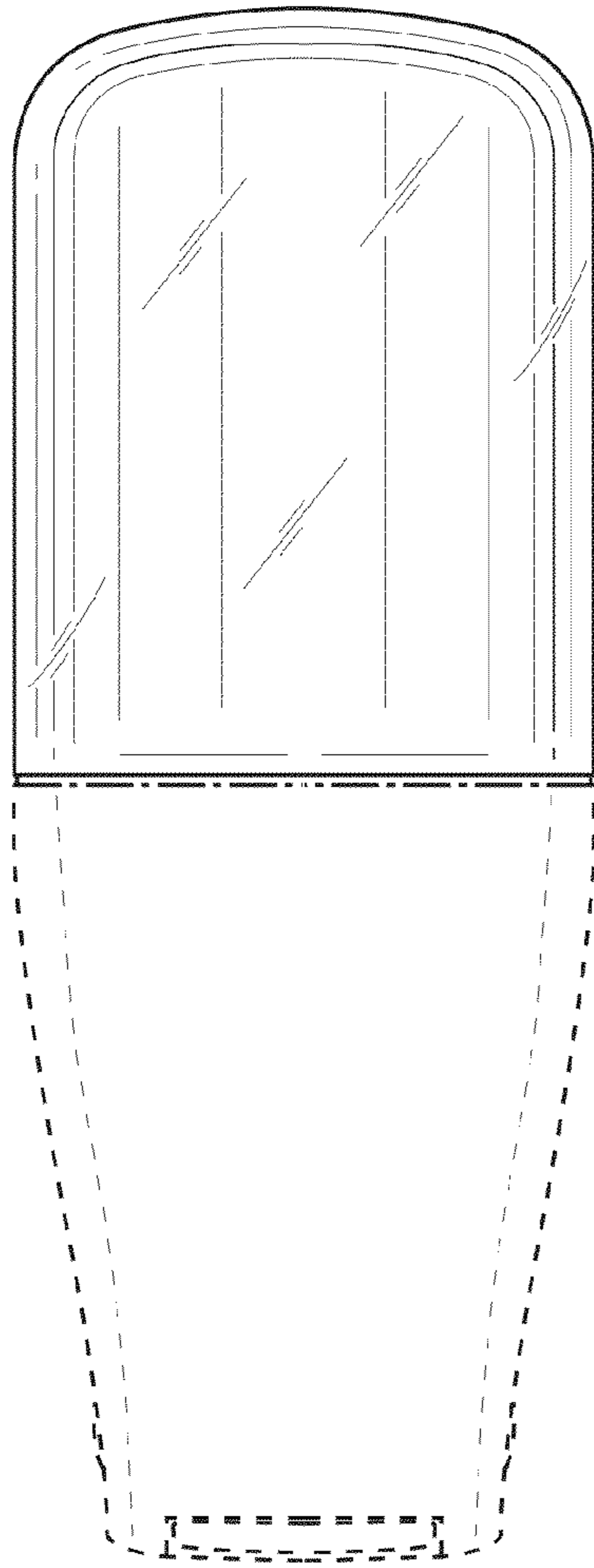
D543,192 S \* 5/2007 Jung ..... D10/31  
D556,194 S \* 11/2007 Rambosek et al. .... D11/2  
D558,198 S \* 12/2007 Blankenship et al. .... D11/2

D567,227 S \* 4/2008 Hada ..... D11/4  
D576,501 S \* 9/2008 Tang ..... D10/32  
D594,000 S \* 6/2009 Yeon ..... D14/226  
D711,002 S \* 8/2014 Ohnemus et al. .... D24/186  
D714,179 S \* 9/2014 Park et al. .... D11/3

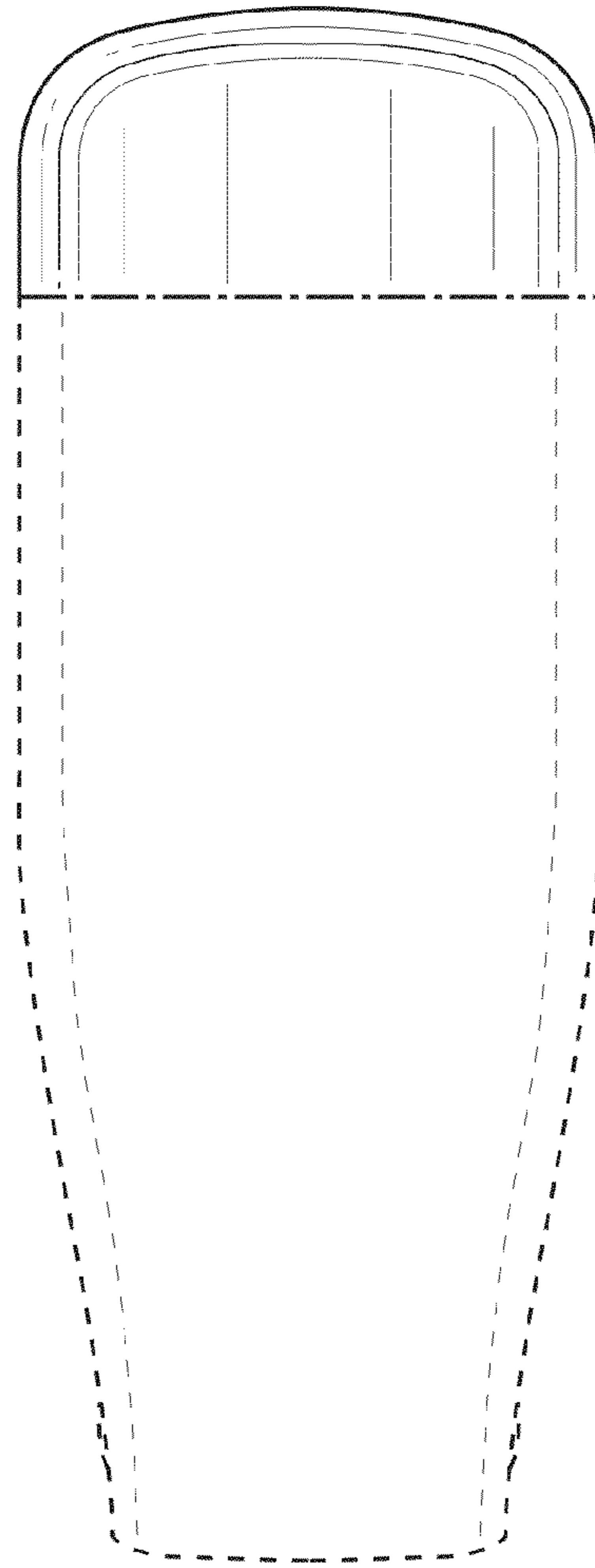
\* cited by examiner



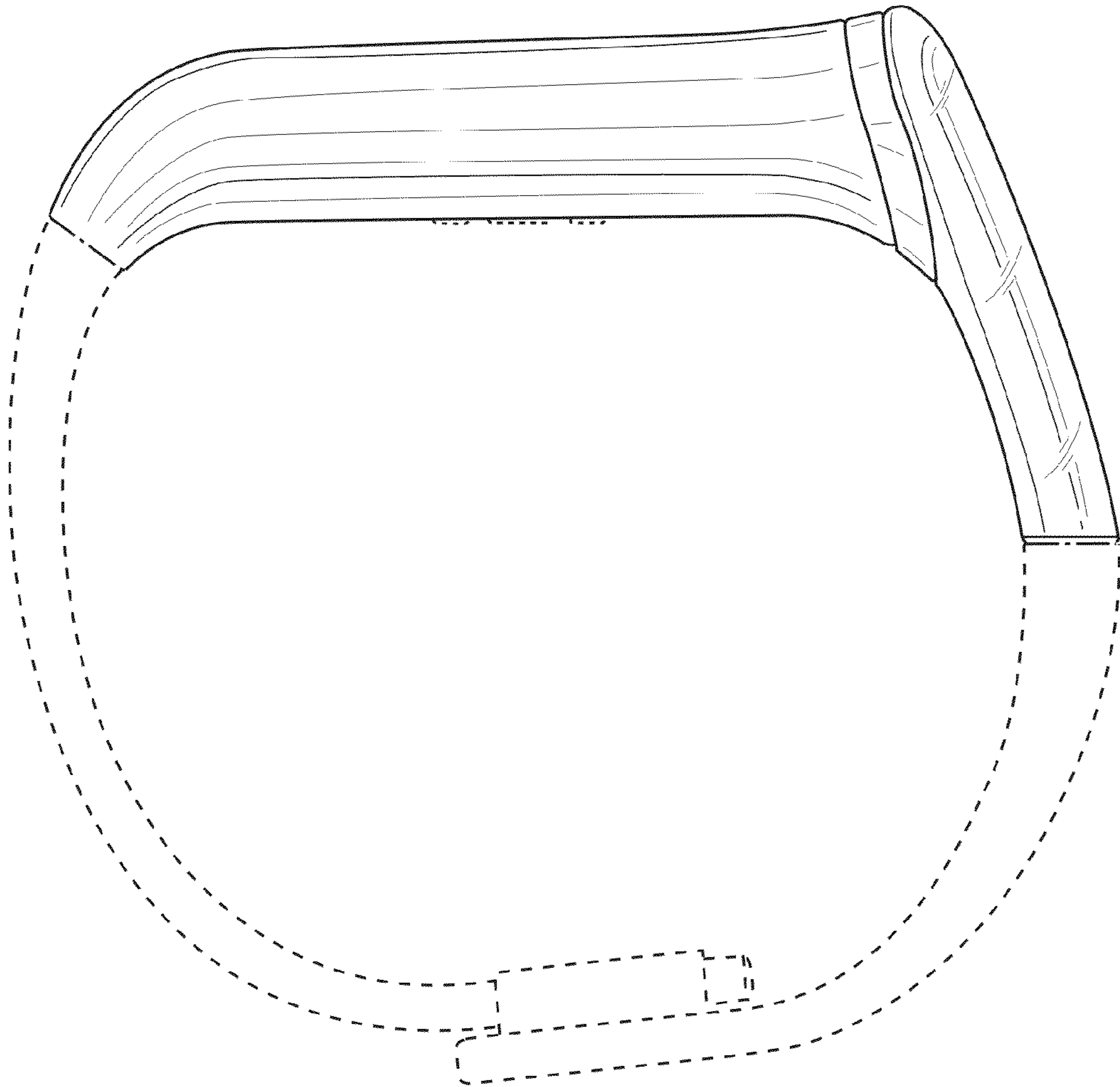
**FIG. 1**



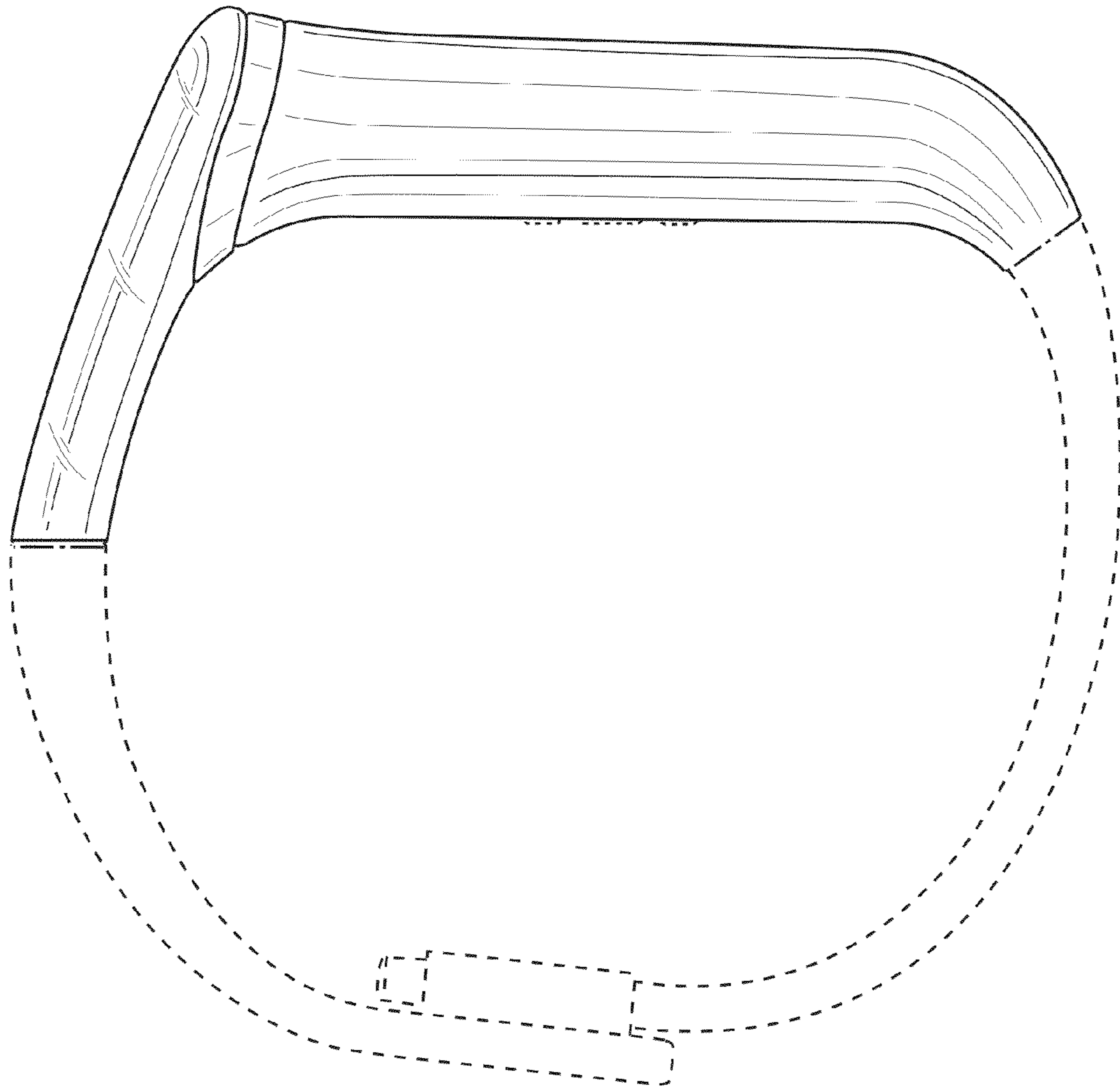
**FIG. 2**



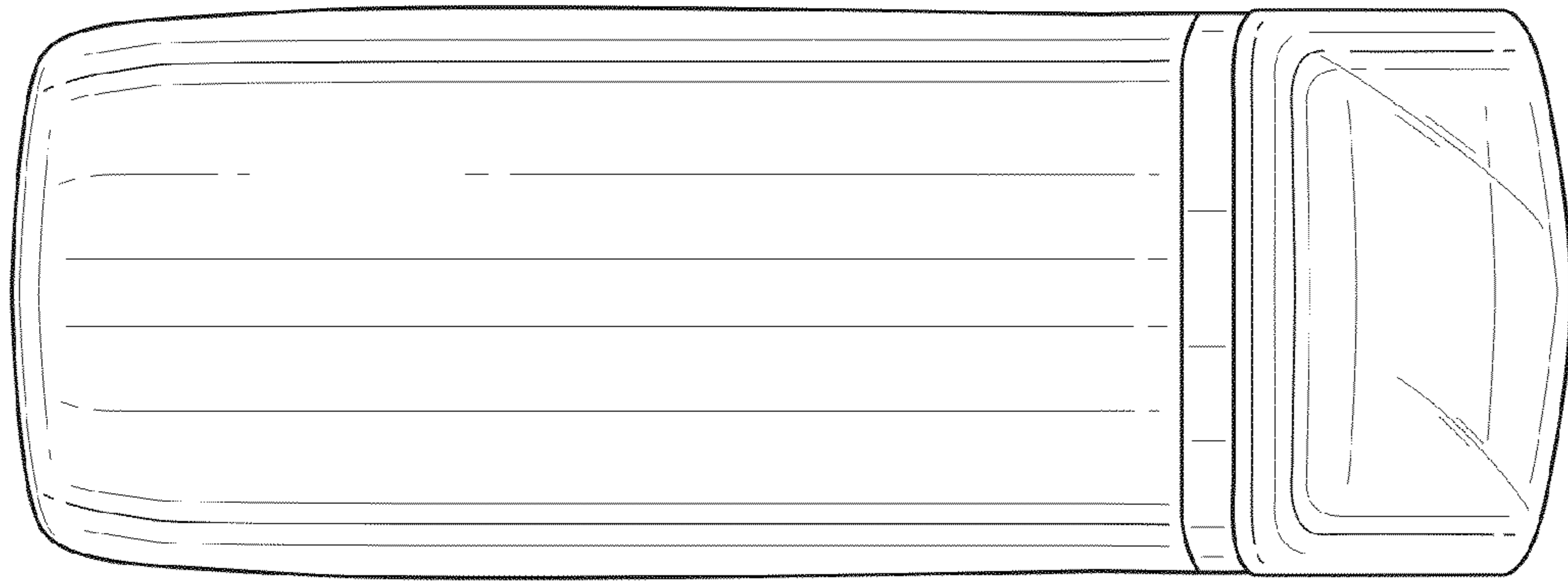
**FIG. 3**



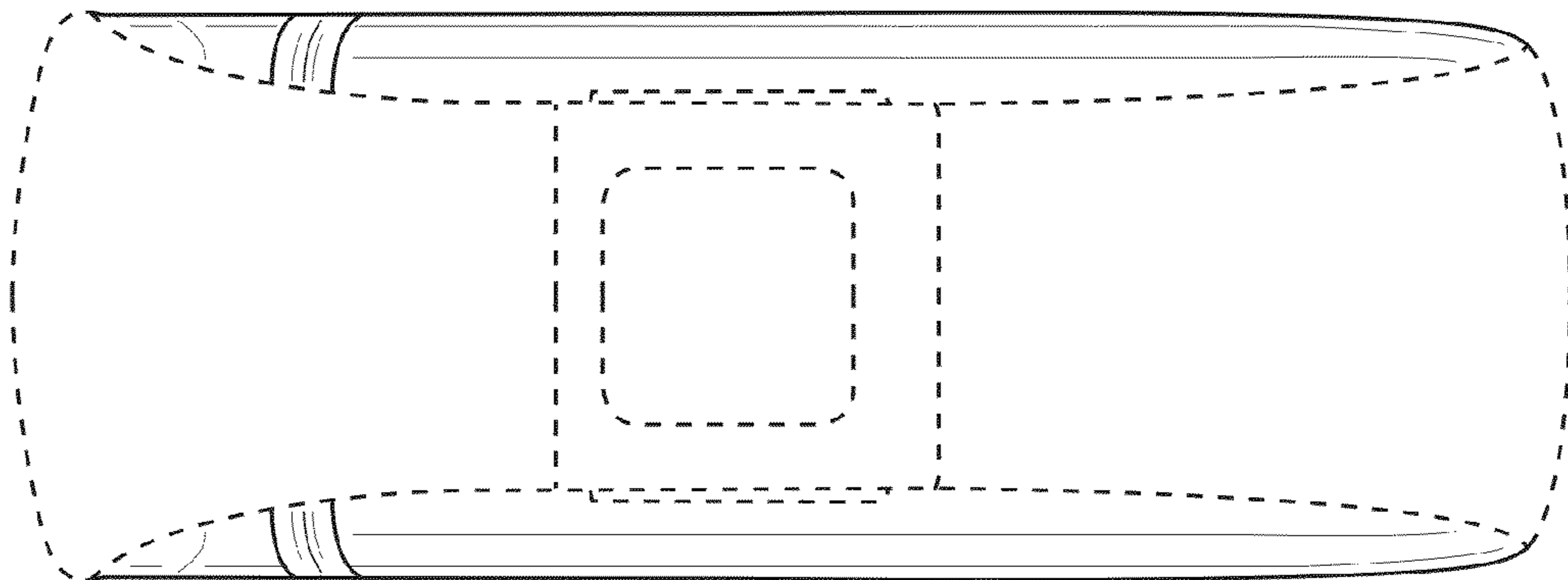
**FIG. 4**



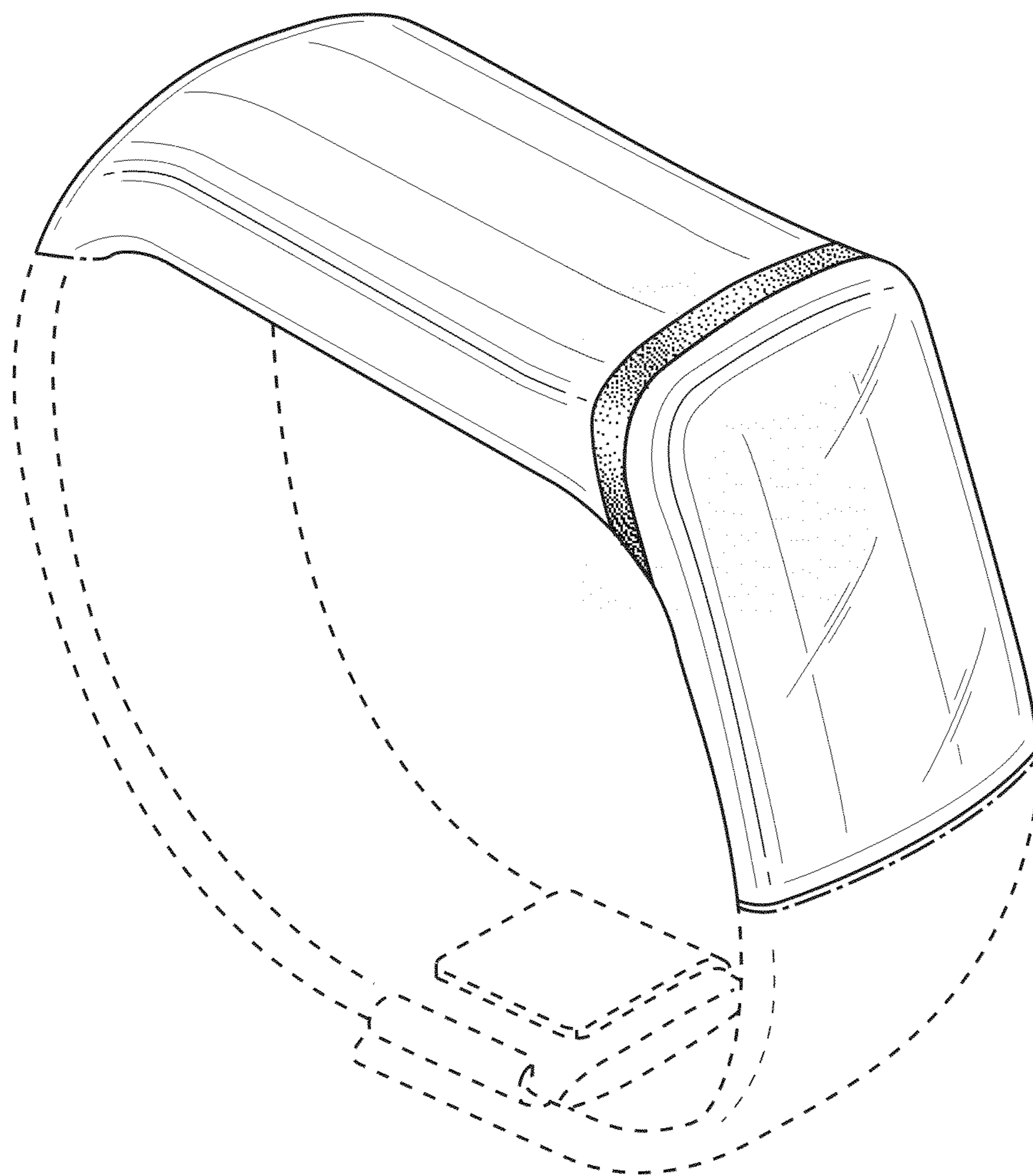
**FIG. 5**



**FIG. 6**

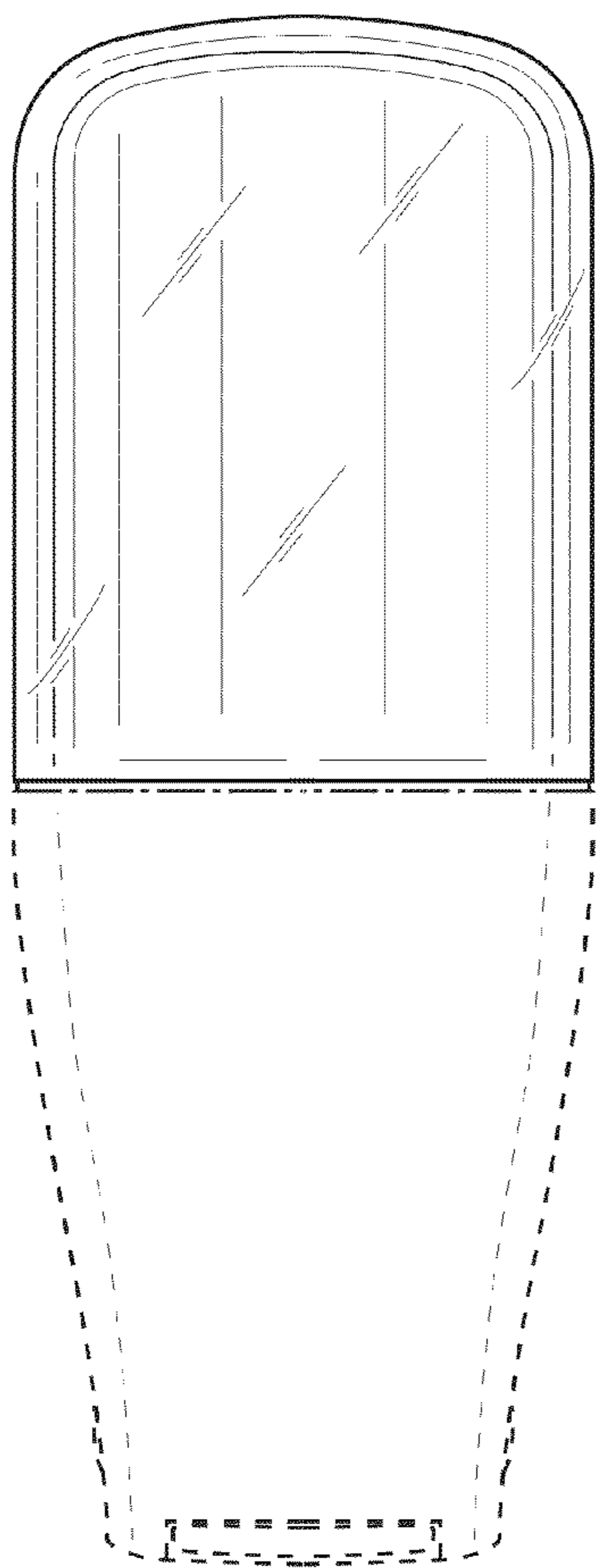


**FIG. 7**

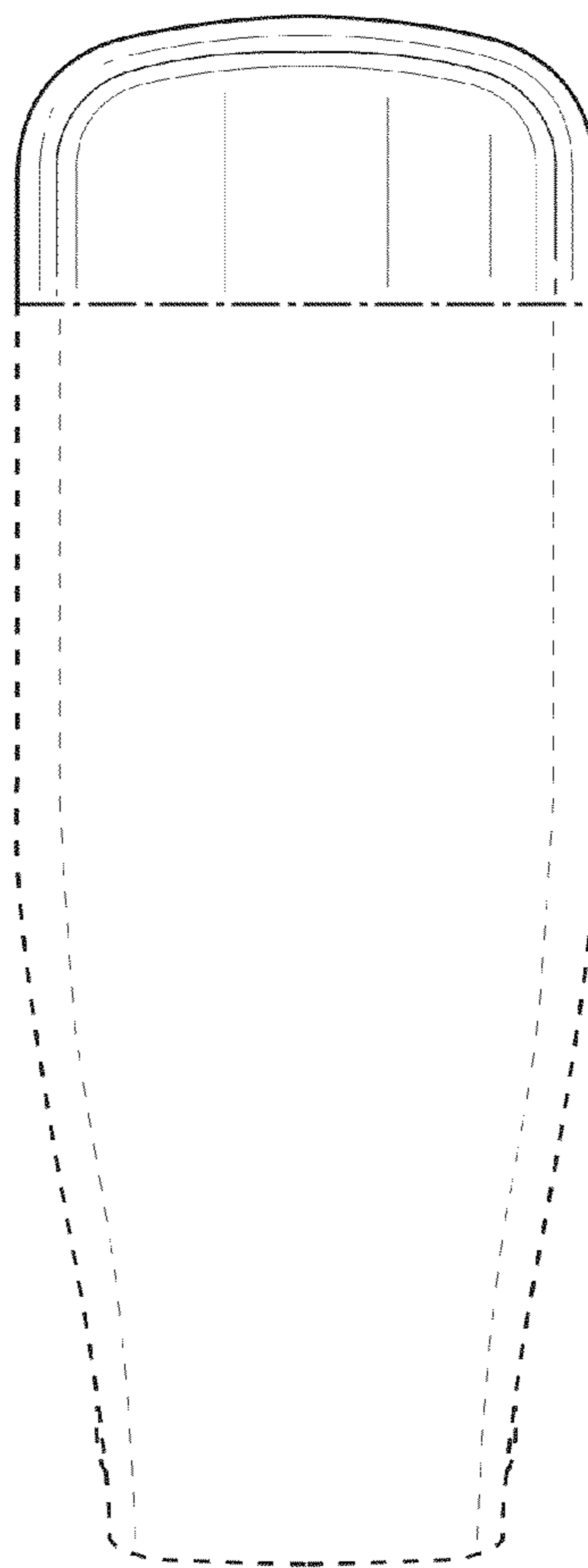


**FIG. 8**

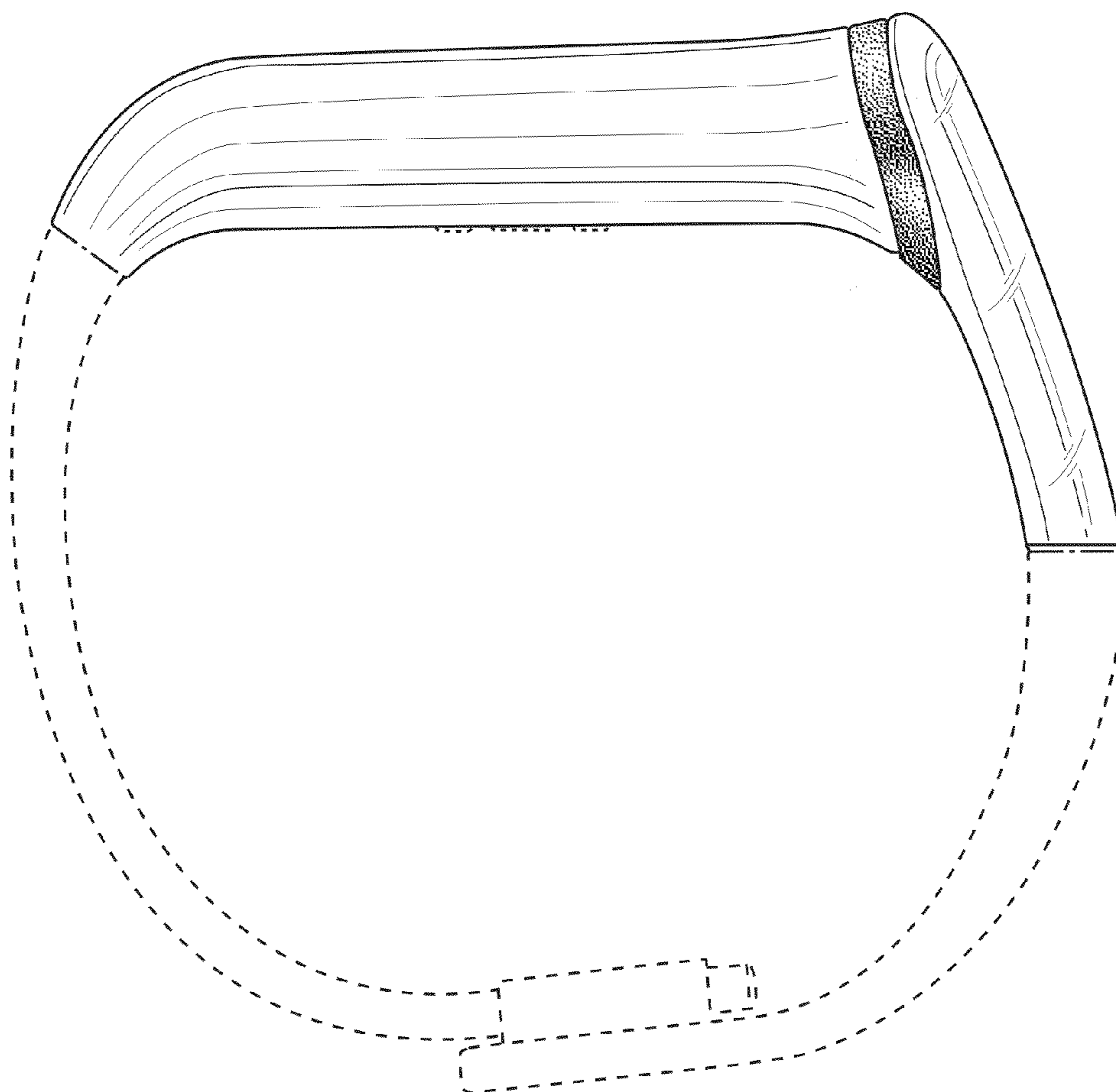




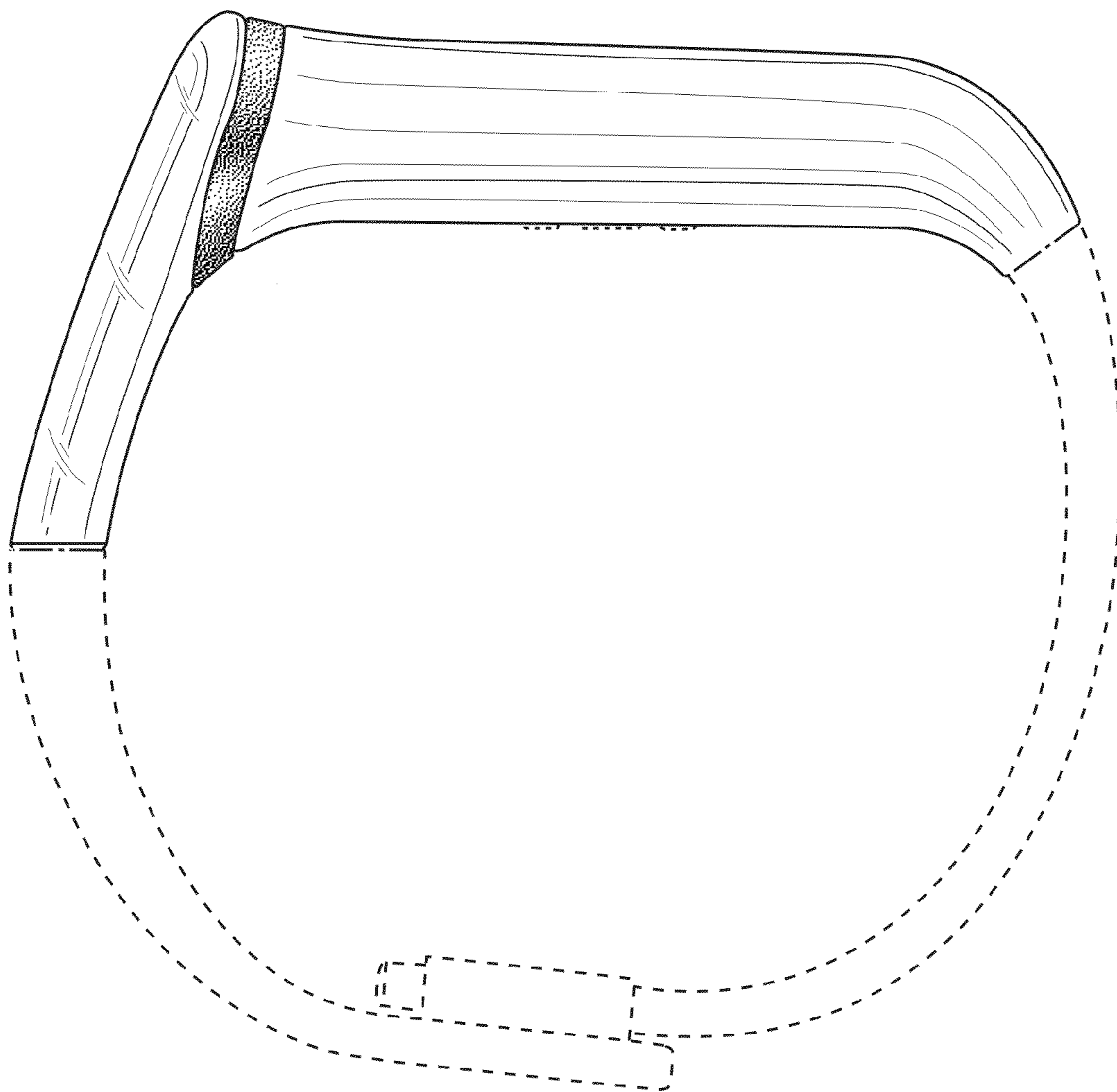
**FIG. 9**



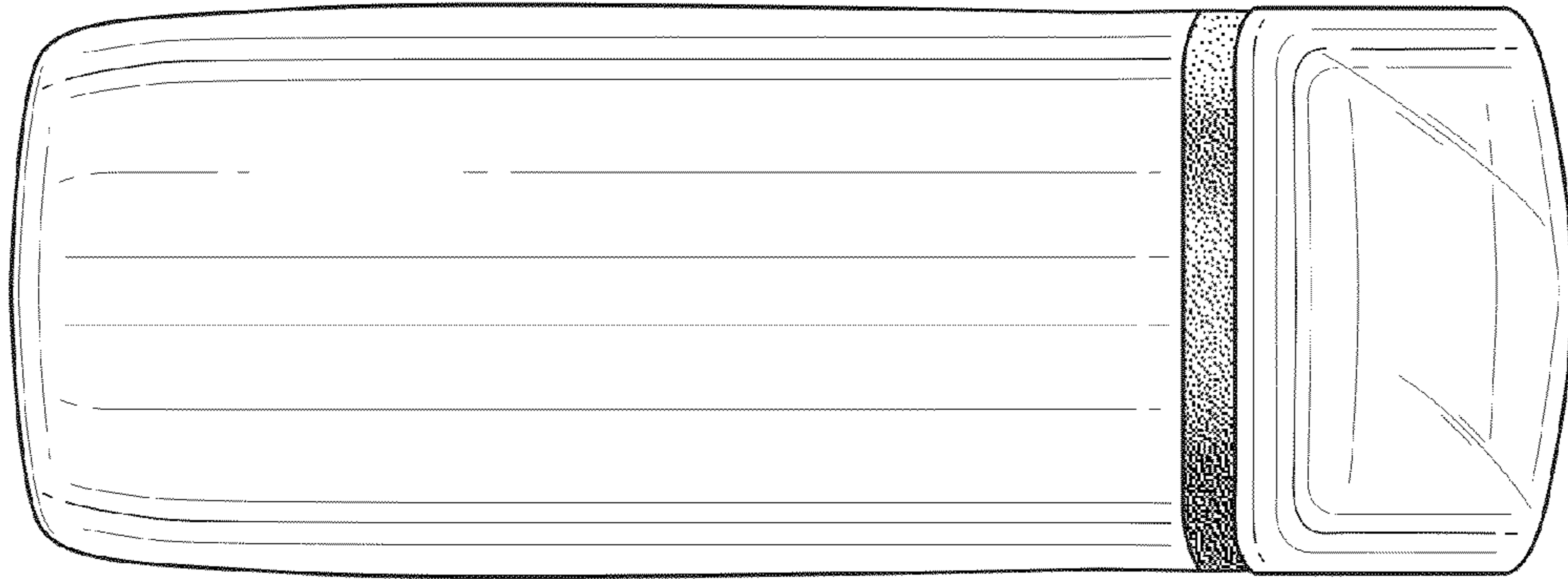
**FIG. 10**



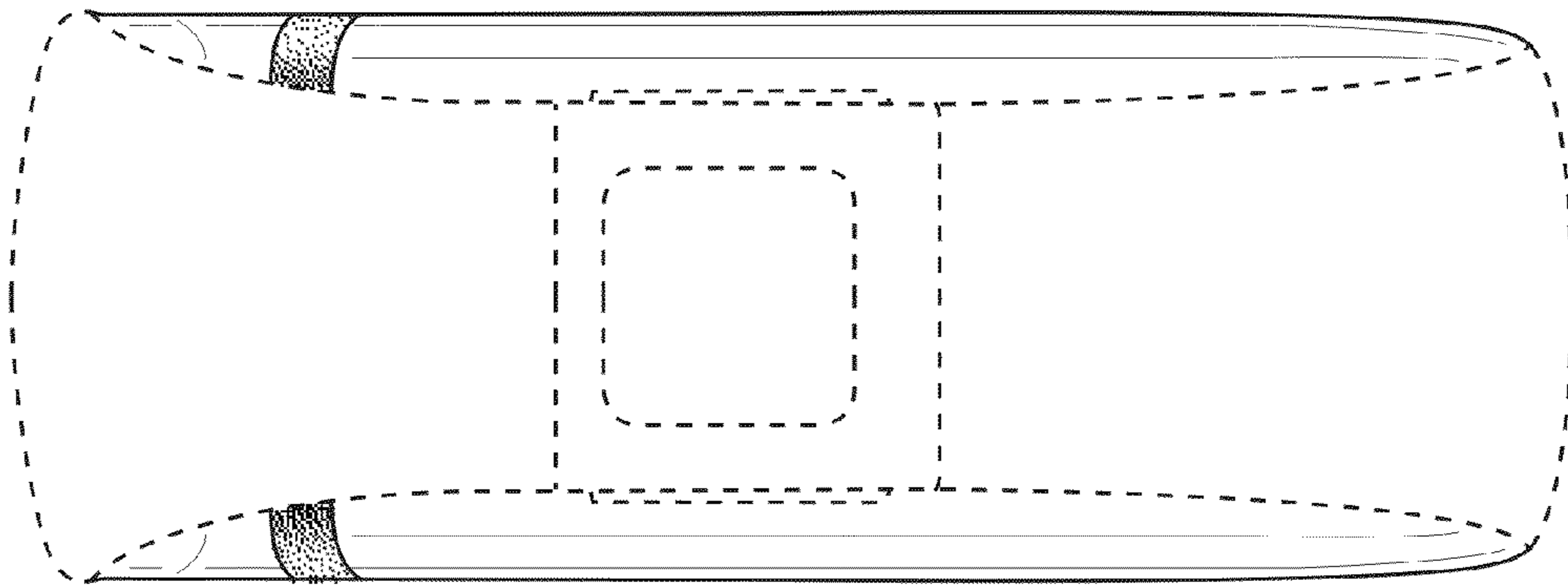
**FIG. 11**



**FIG. 12**



**FIG. 13**



**FIG. 14**