



US00D727192S

(12) **United States Design Patent**
Kitchens

(10) **Patent No.:** **US D727,192 S**
(45) **Date of Patent:** **** Apr. 21, 2015**

(54) **DIVER MARKER BUOY**

(71) Applicant: **Martin Lee Kitchens**, Little Rock, AR
(US)

(72) Inventor: **Martin Lee Kitchens**, Little Rock, AR
(US)

(**) Term: **14 Years**

(21) Appl. No.: **29/493,210**

(22) Filed: **Jun. 6, 2014**

(51) **LOC (10) Cl.** **10-05**

(52) **U.S. Cl.**
USPC **D10/107; D26/37**

(58) **Field of Classification Search**
USPC **D10/107; 441/1-13; 405/224.2**
See application file for complete search history.

(56) **References Cited**

U.S. PATENT DOCUMENTS

546,057	A *	9/1895	Richard	441/1
3,089,156	A	5/1963	Hamm		
3,149,352	A *	9/1964	Christiansen	441/11
3,441,962	A	5/1969	Williams		
3,653,085	A	4/1972	Rovner		
3,827,093	A	8/1974	Davis		
4,103,379	A	8/1978	Wolfe		
4,340,192	A	7/1982	Burris, III		
4,443,203	A	4/1984	Maertens		

4,781,636	A *	11/1988	Schurr	441/6
4,808,133	A	2/1989	Gram		
D347,191	S *	5/1994	Kinney et al.	D10/107
5,516,316	A *	5/1996	Rumminger	441/1
6,086,439	A	7/2000	Vasile		
7,575,188	B2	8/2009	Mullen		
7,699,676	B2	4/2010	Nicholson		
7,824,238	B1	11/2010	Winter		
2002/0157299	A1	10/2002	Barrett		
2009/0093176	A1 *	4/2009	Estrada-Lugo	441/11
2009/0151484	A1	6/2009	Mullen		
2009/0239427	A1	9/2009	Purgavie		
2013/0330988	A1 *	12/2013	Oddo	441/11

* cited by examiner

Primary Examiner — George D Kirschbaum

(74) *Attorney, Agent, or Firm* — Stephen D. Carver

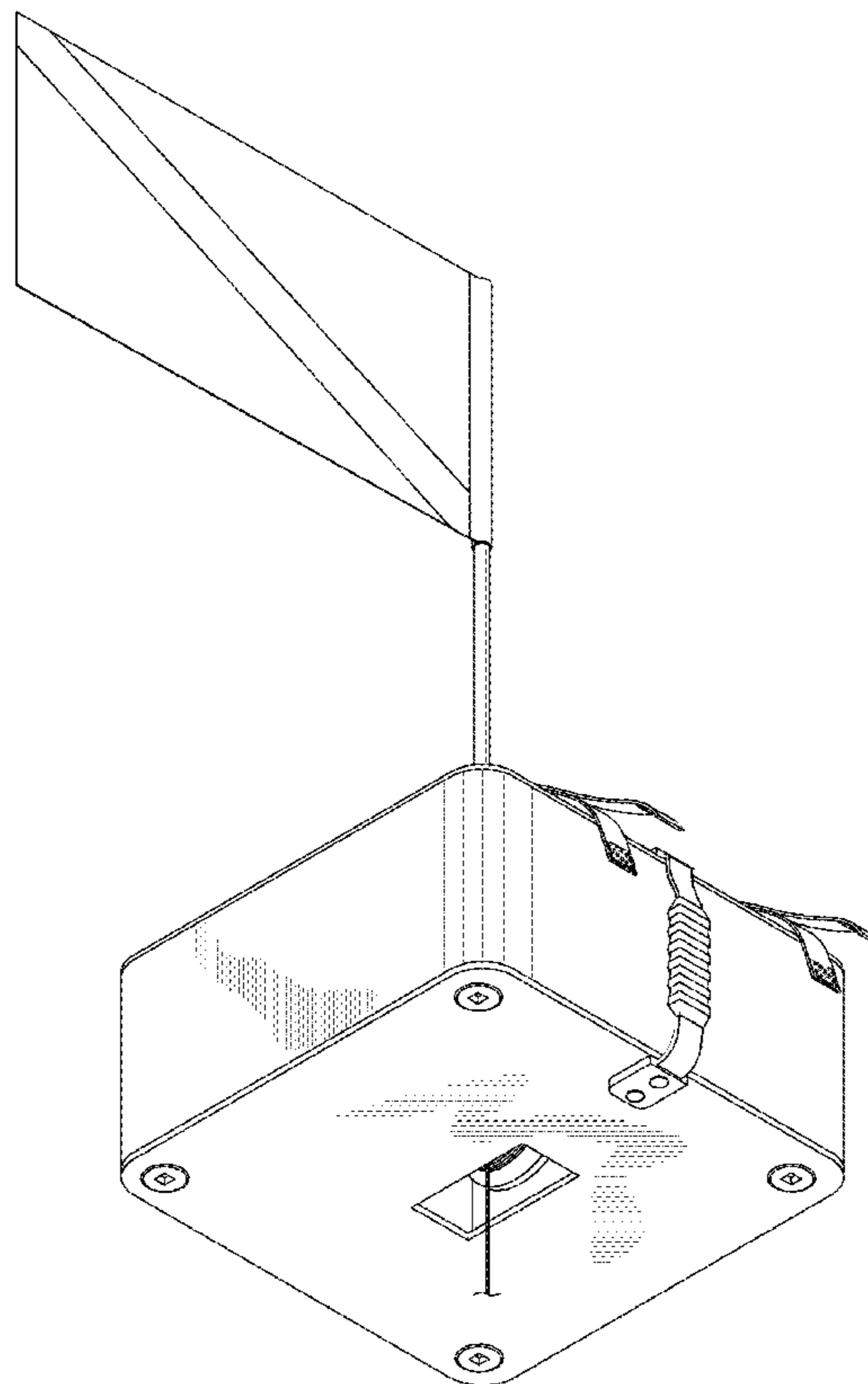
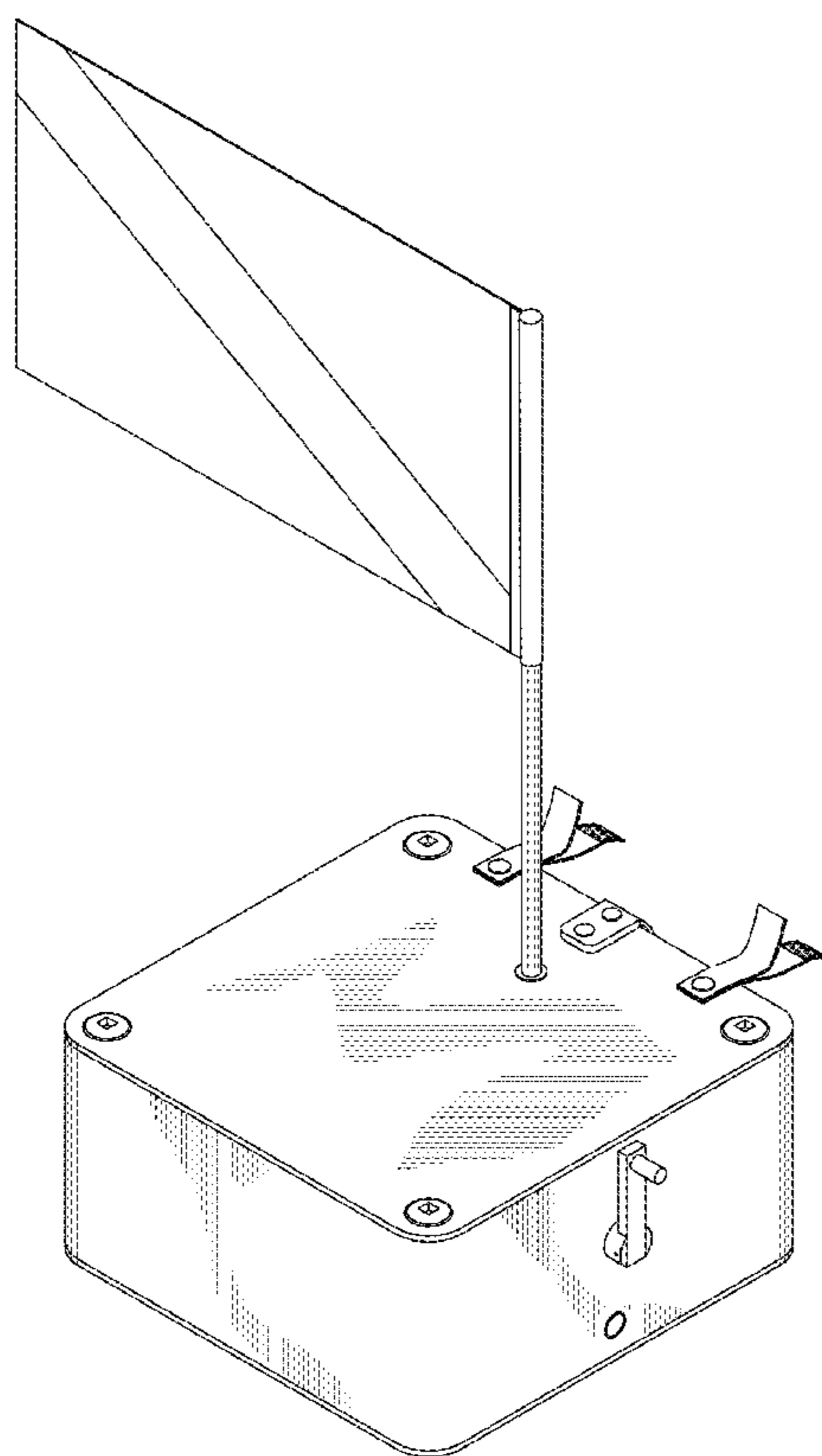
(57) **CLAIM**

The ornamental design for a diver marker buoy, as shown.

DESCRIPTION

FIG. 1 is a frontal isometric view of my diver marker buoy, showing my new design;
 FIG. 2 is a bottom isometric view thereof;
 FIG. 3 is a front plan view thereof;
 FIG. 4 is a rear plan view thereof;
 FIG. 5 is a left side elevational view thereof;
 FIG. 6 is a right side elevational view thereof;
 FIG. 7 is a top plan view thereof; and,
 FIG. 8 is a bottom plan view thereof.

1 Claim, 8 Drawing Sheets



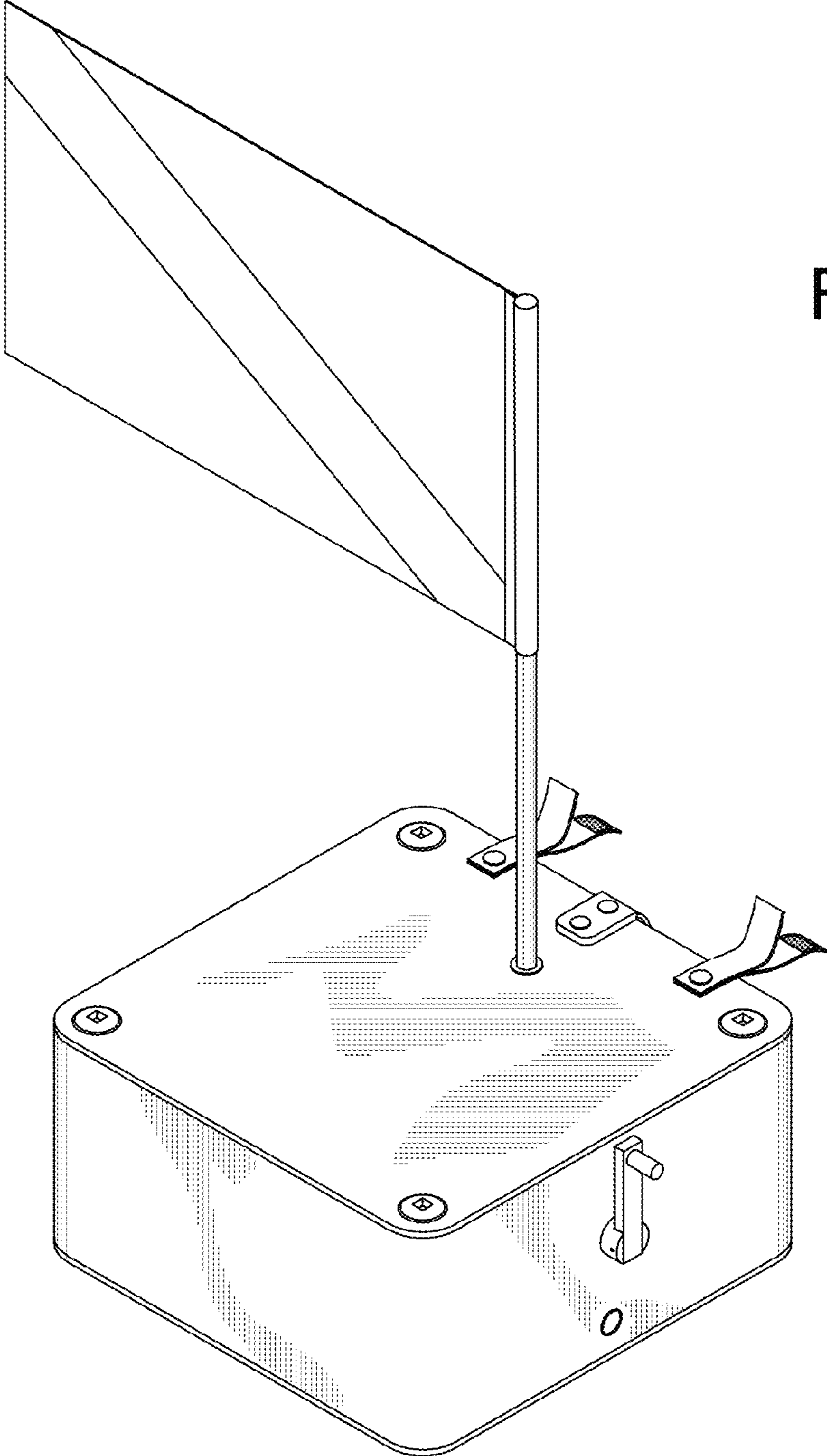


FIG. 1

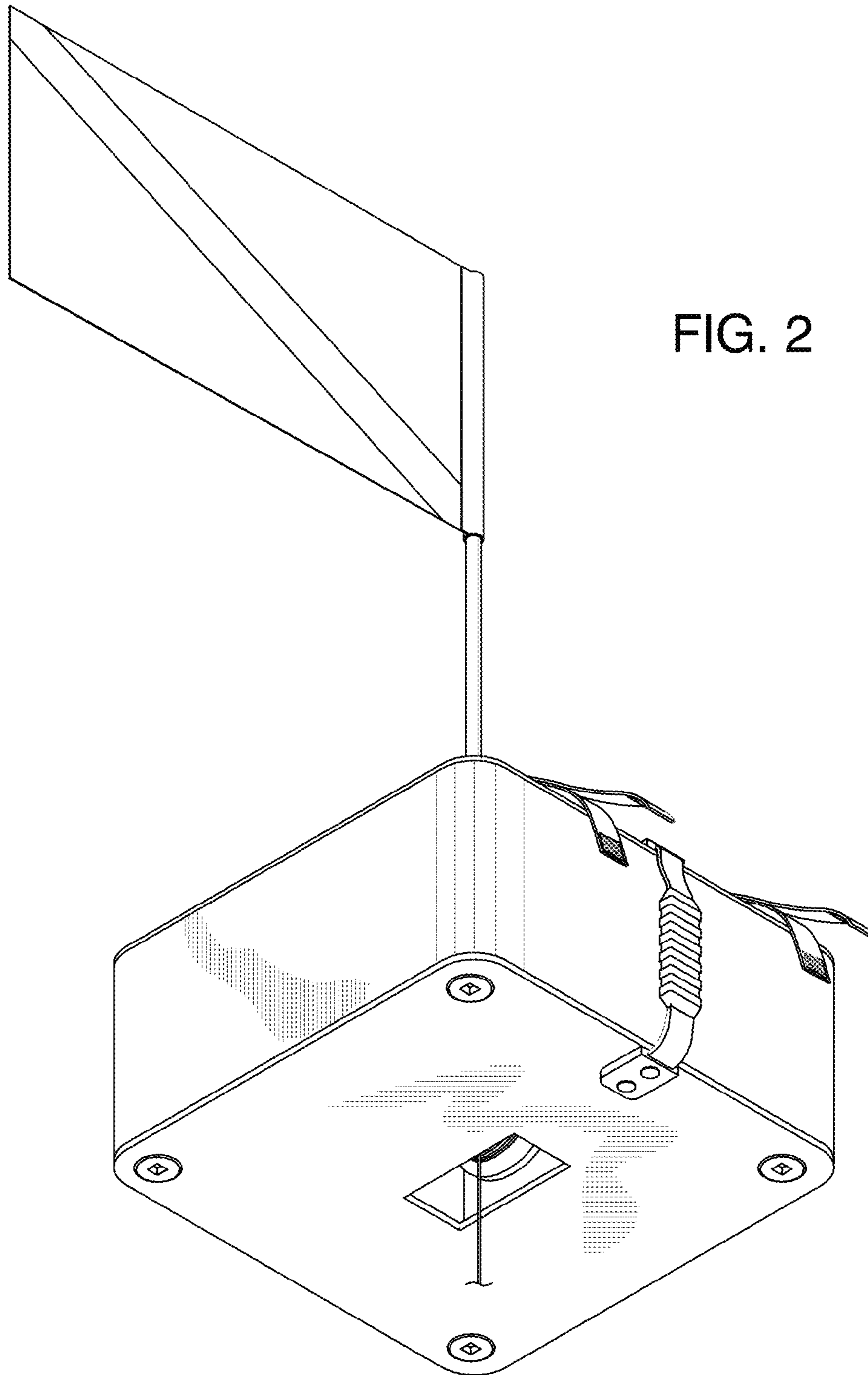


FIG. 2

FIG. 3

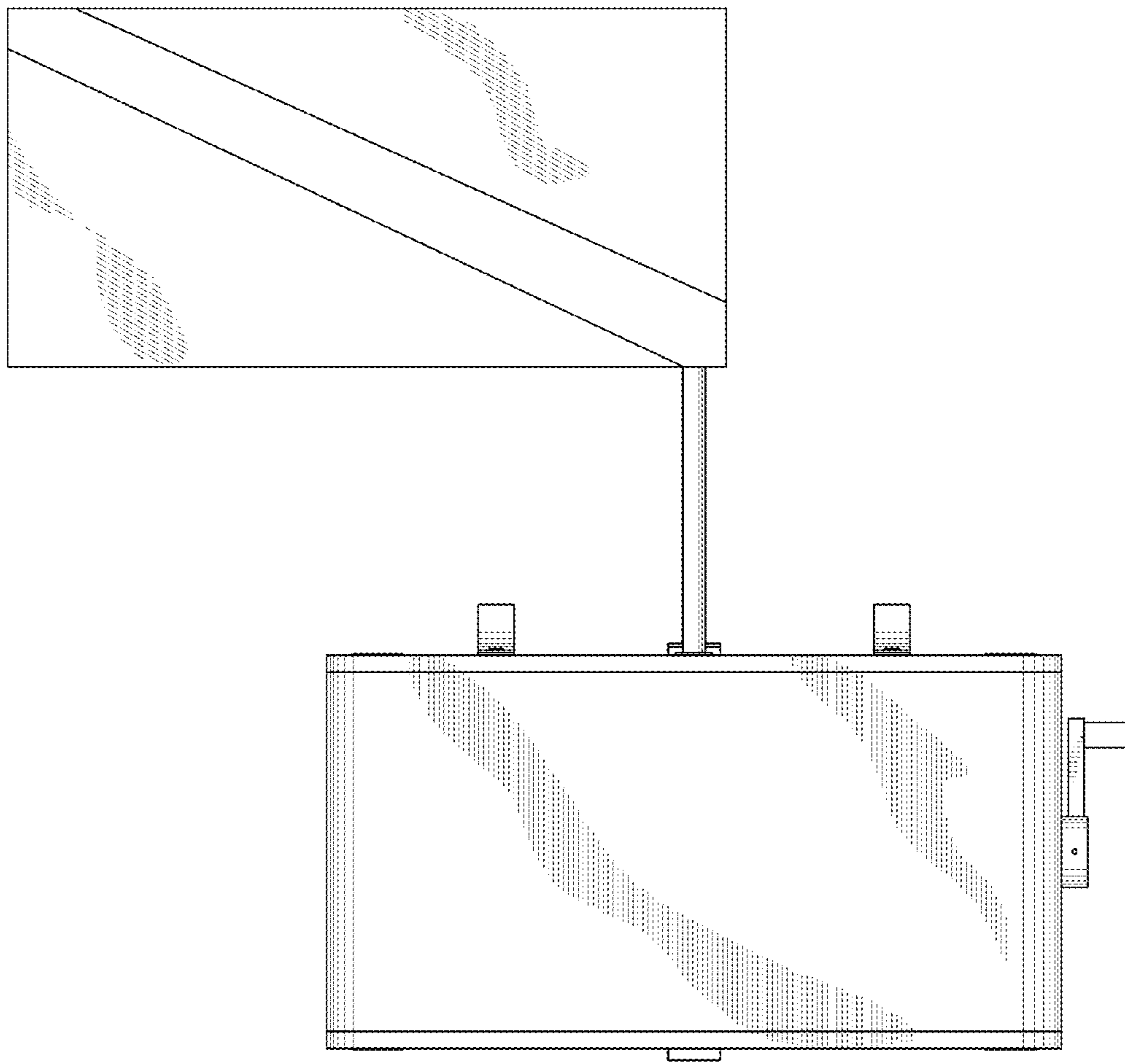


FIG. 4

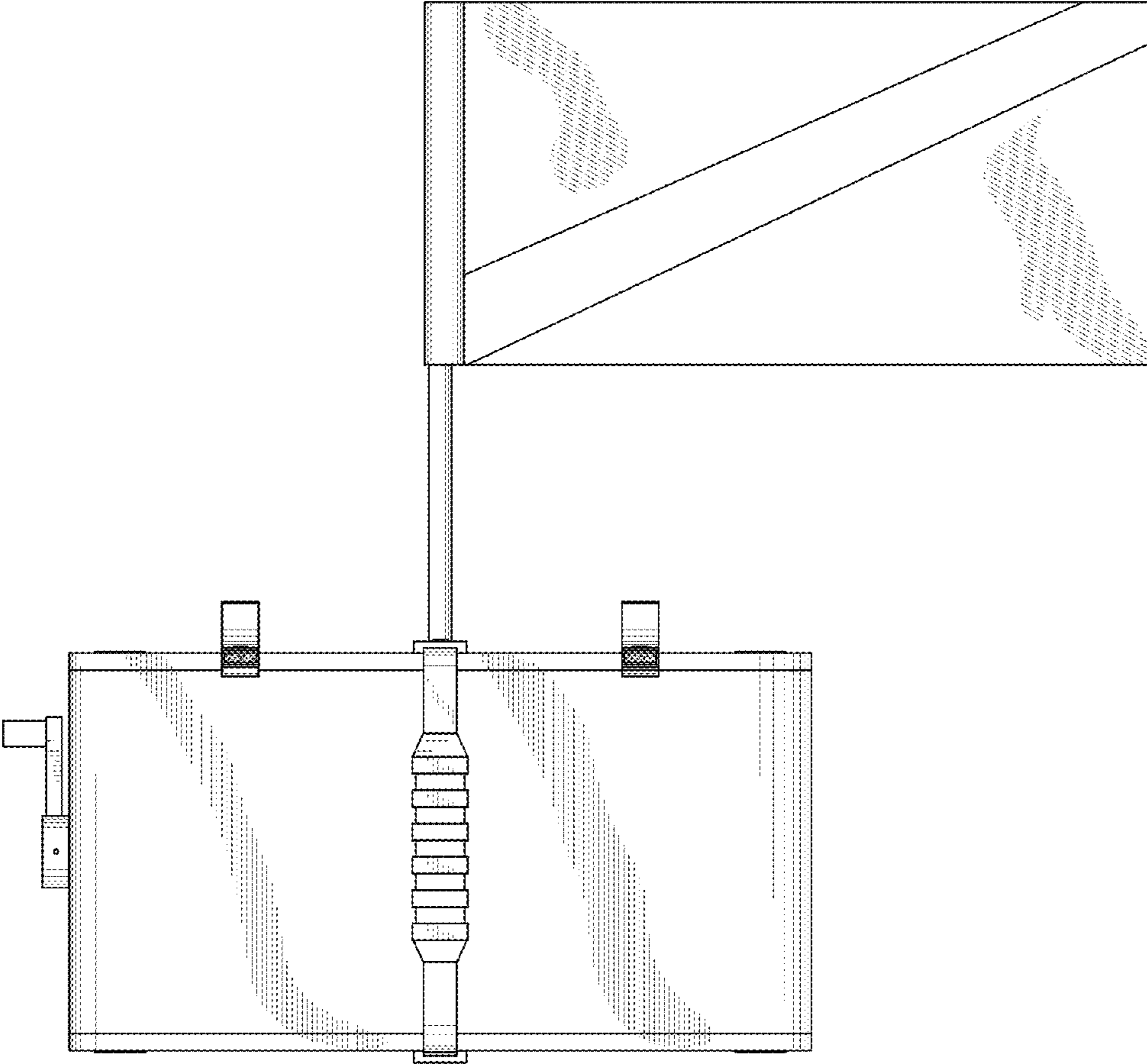


FIG. 5

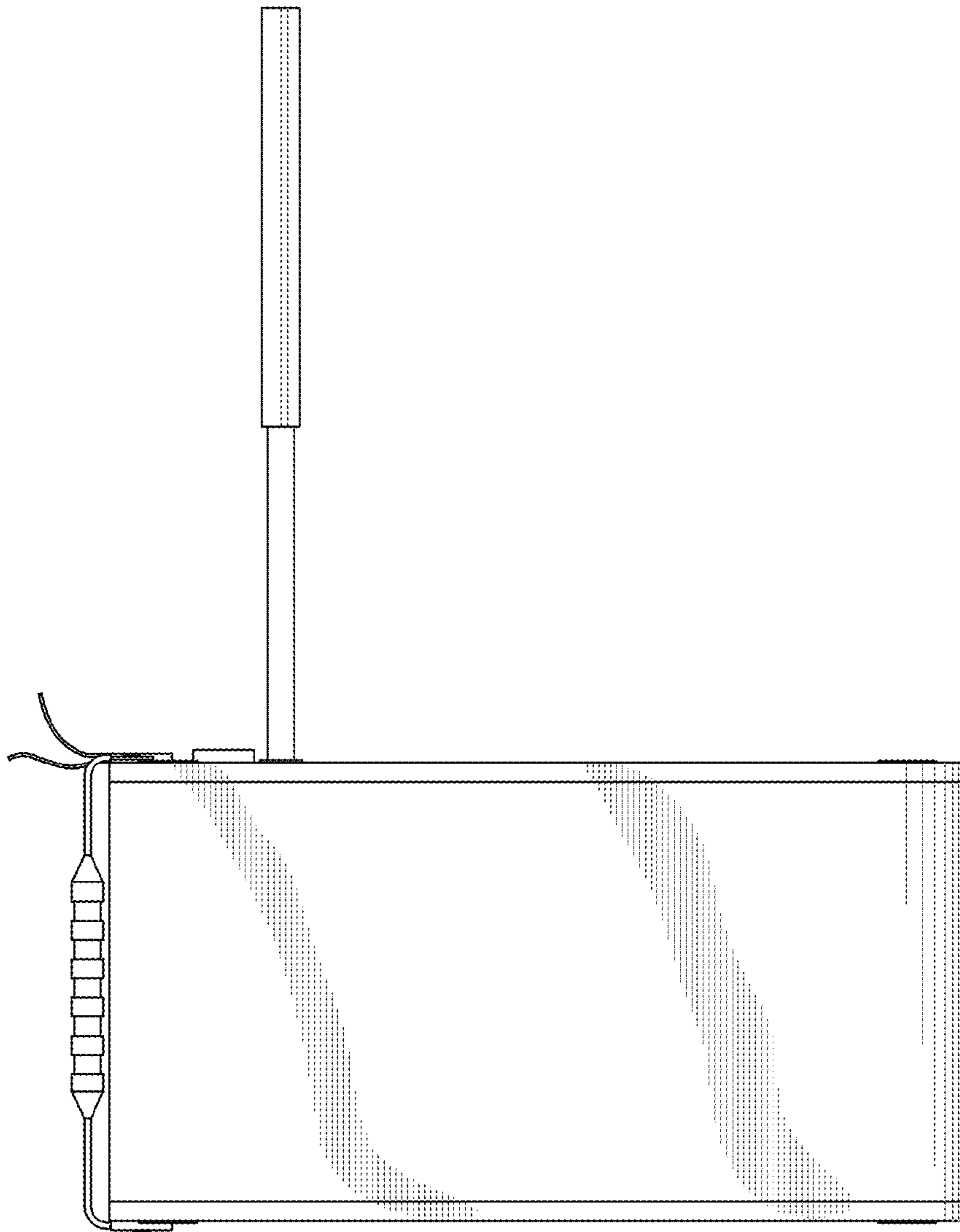


FIG. 6

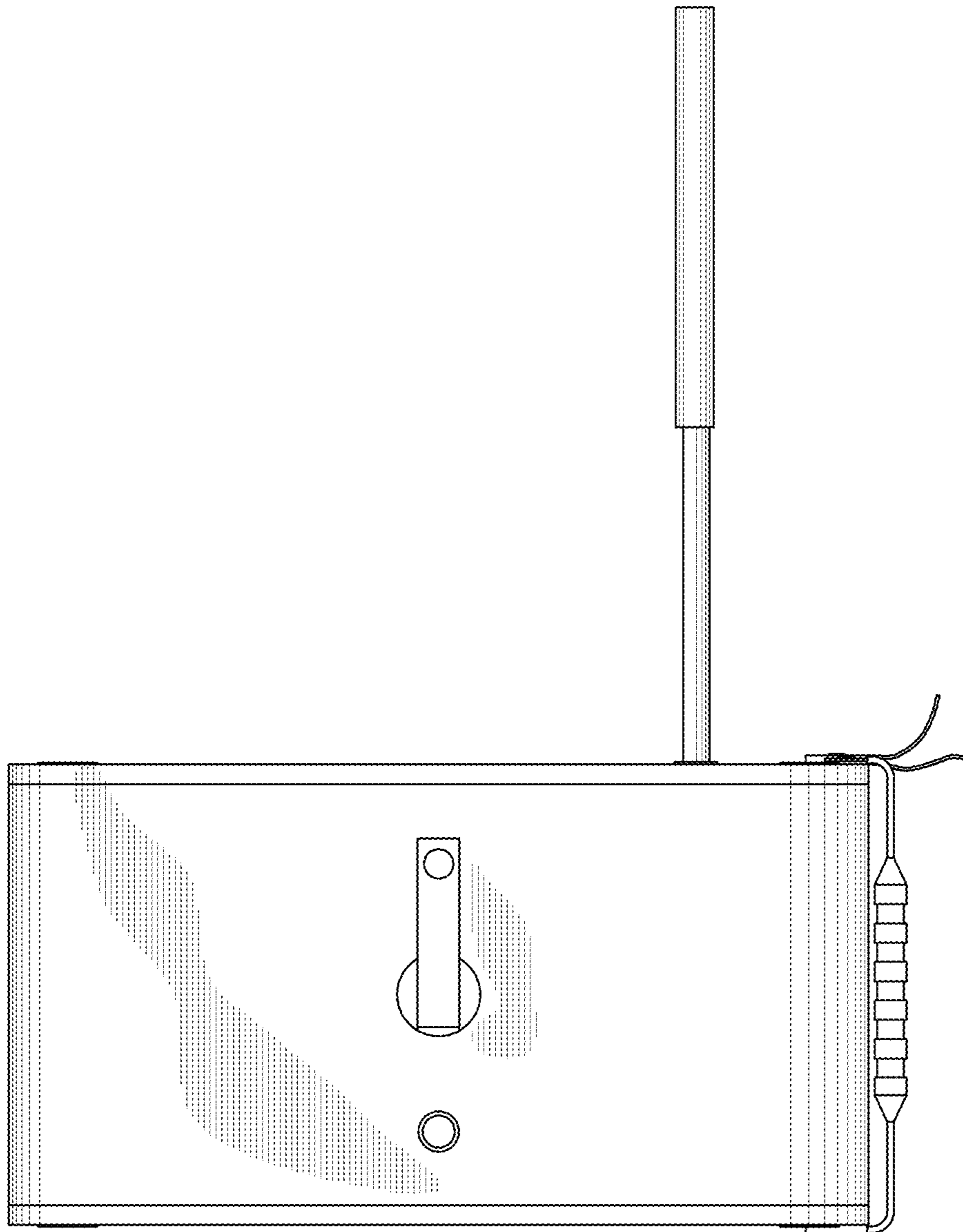


FIG. 7

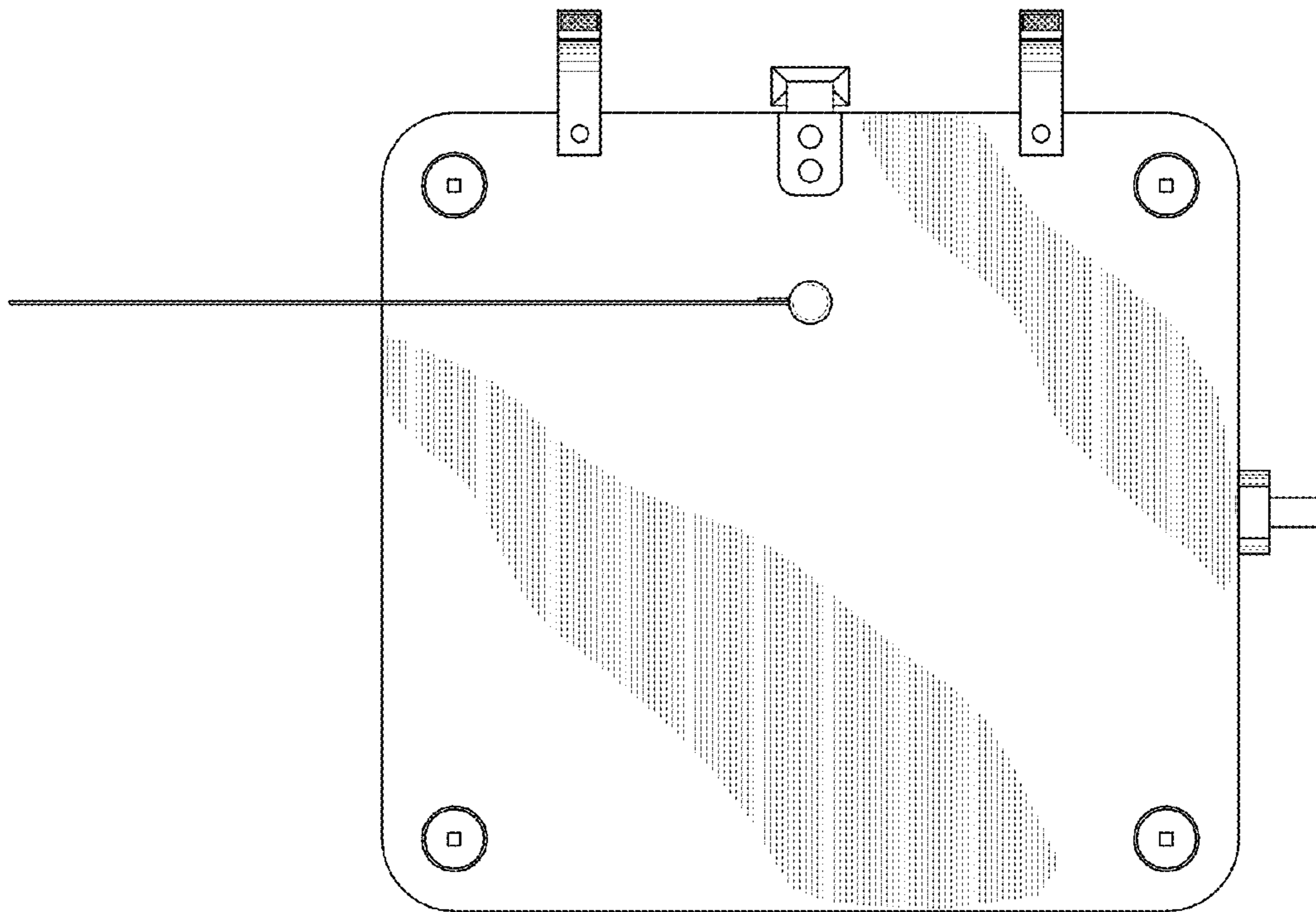


FIG. 8

