



US00D727191S

(12) **United States Design Patent**
Yang

(10) **Patent No.:** **US D727,191 S**
(45) **Date of Patent:** **** *Apr. 21, 2015**

- (54) **EAS TAG FOR BOTTLES**
- (71) Applicant: **Xiao Hui Yang**, Saratoga, CA (US)
- (72) Inventor: **Xiao Hui Yang**, Saratoga, CA (US)
- (*) Notice: This patent is subject to a terminal disclaimer.
- (**) Term: **14 Years**
- (21) Appl. No.: **29/475,567**
- (22) Filed: **Dec. 4, 2013**
- (51) **LOC (10) Cl.** **10-05**
- (52) **U.S. Cl.**
USPC **D10/106.92**
- (58) **Field of Classification Search**
USPC D10/106.92; 70/58; 340/568.1, 572.8;
D9/436; 215/207, 201
See application file for complete search history.

8,152,009	B2	4/2012	Hulin	
8,269,631	B2	9/2012	Yang	
8,368,537	B2	2/2013	Zhang et al.	
8,421,633	B2	4/2013	Yang	
8,482,414	B2	7/2013	Leyden et al.	
2005/0237205	A1	10/2005	Gorst	
2010/0288720	A1*	11/2010	Jones	215/201
2010/0315237	A1	12/2010	Yang	
2011/0219828	A1*	9/2011	Zhang et al.	70/58
2012/0151974	A1	6/2012	Zhang et al.	
2012/0152883	A1	6/2012	Zhang et al.	

* cited by examiner

Primary Examiner — George D Kirschbaum
(74) *Attorney, Agent, or Firm* — James M. Wells; Brian W. Foxworthy; Waters Law Group, PLLC

(57) **CLAIM**

The ornamental design for an EAS tag for bottles, as shown and described.

DESCRIPTION

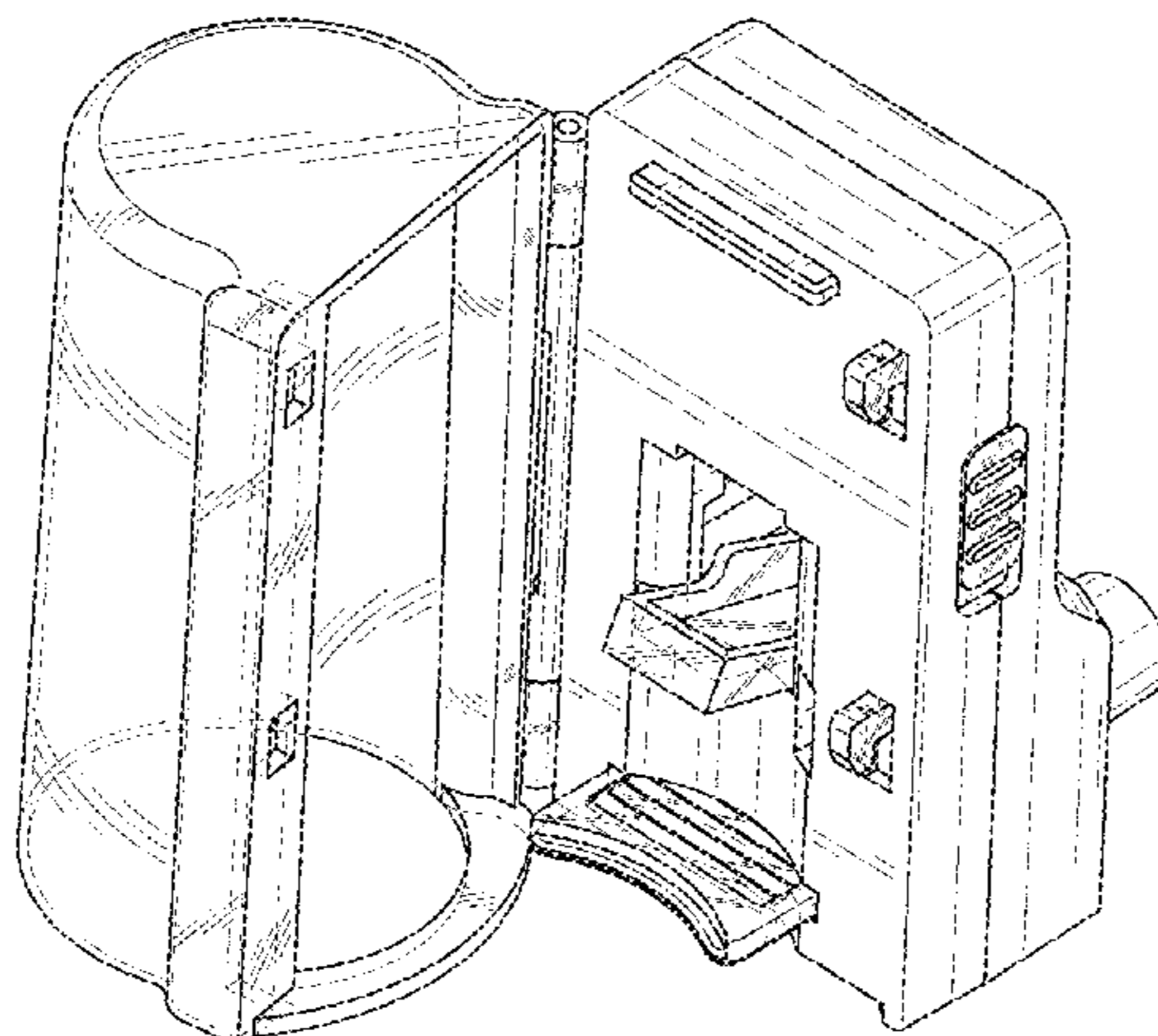
FIG. 1 is a top perspective view of my new design for an EAS tag for bottles, in an open position.
 FIG. 2 is a bottom perspective view of my new design for an EAS tag for bottles, in an open position.
 FIG. 3 is a front view of my new design for an EAS tag for bottles, in a closed position.
 FIG. 4 is a back view of my new design for an EAS tag for bottles.
 FIG. 5 is a side view of my new design for an EAS tag for bottles, in a closed position.
 FIG. 6 is my new design for an EAS tag for bottles in a closed position, viewed from the side opposite of that shown in FIG. 5.
 FIG. 7 is a top view of my new design for an EAS tag for bottles, in a closed position.
 FIG. 8 is a bottom view of my new design for an EAS tag for bottles, in a closed position; and,
 FIG. 9 is my new design for an EAS tag for bottles, viewed from the side shown in FIG. 5, closed around the neck of a bottle to be protected.

(56) **References Cited**

U.S. PATENT DOCUMENTS

2,093,688	A	9/1937	Smith	
5,586,670	A *	12/1996	Greenwald	215/207
D445,682	S *	7/2001	Michael et al.	D9/436
6,822,567	B2 *	11/2004	Durbin	340/568.1
7,134,302	B2	11/2006	Gorst	
7,259,674	B2	8/2007	Marsilio et al.	
7,266,979	B2	9/2007	Belden, Jr.	
7,372,363	B2 *	5/2008	Durbin	340/568.1
7,397,375	B2	7/2008	Marsilio et al.	
7,458,241	B2	12/2008	Belden, Jr.	
7,463,152	B2	12/2008	Marsilio et al.	
7,486,190	B2	2/2009	Marsilio et al.	
7,492,263	B2	2/2009	Marsilio et al.	
7,492,264	B2	2/2009	Marsilio et al.	
7,492,265	B2	2/2009	Marsilio et al.	
7,498,944	B2	3/2009	Marsilio et al.	
7,498,945	B2	3/2009	Marsilio et al.	
7,501,957	B1 *	3/2009	Plotke	340/572.8
7,570,161	B2	8/2009	Necchi	
7,602,297	B2	10/2009	Marsilio et al.	
7,650,768	B2 *	1/2010	Fawcett et al.	70/58
7,866,497	B2	1/2011	Belden, Jr.	
7,878,033	B2 *	2/2011	Fawcett et al.	70/58

1 Claim, 9 Drawing Sheets



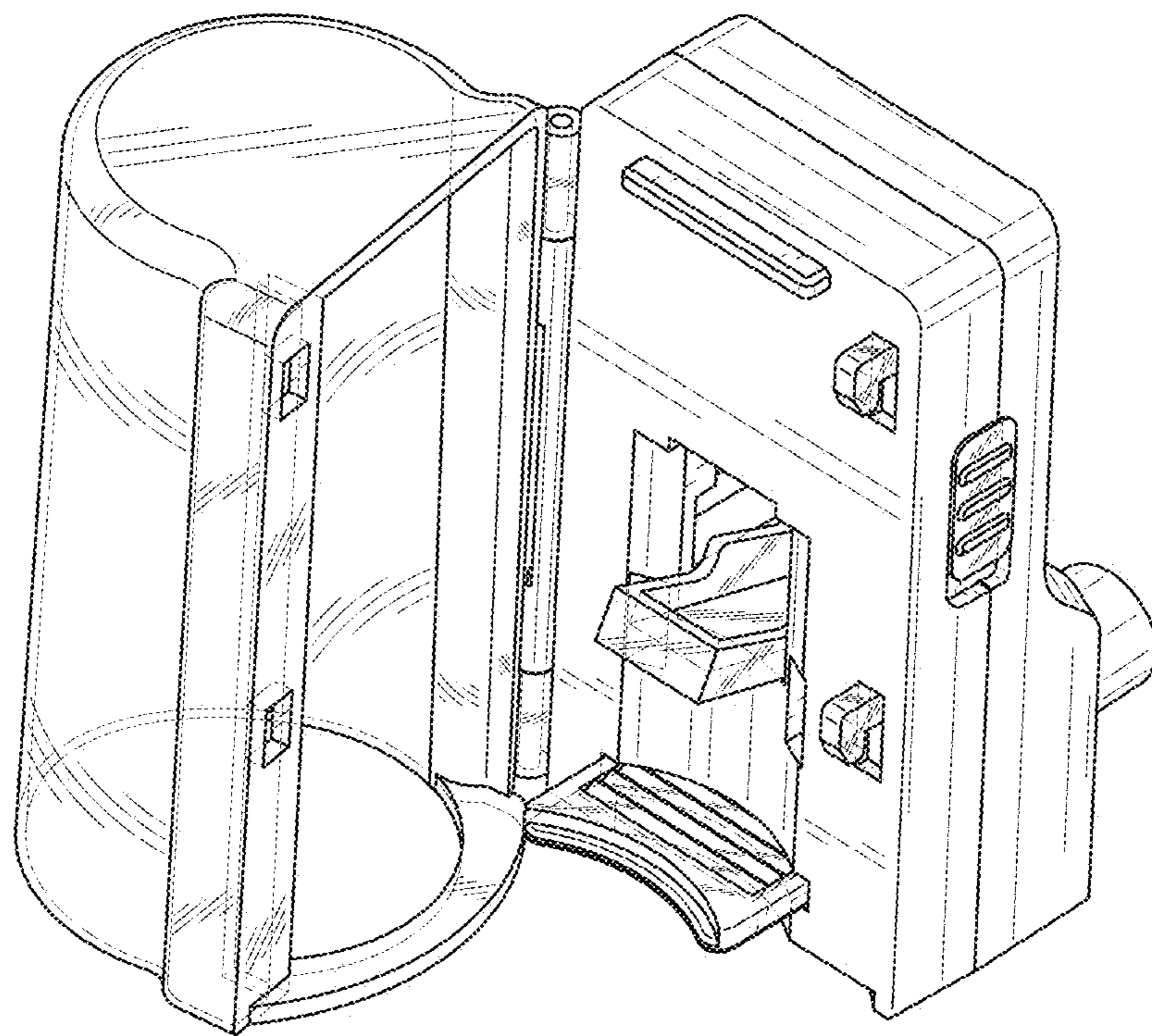


FIG. 1

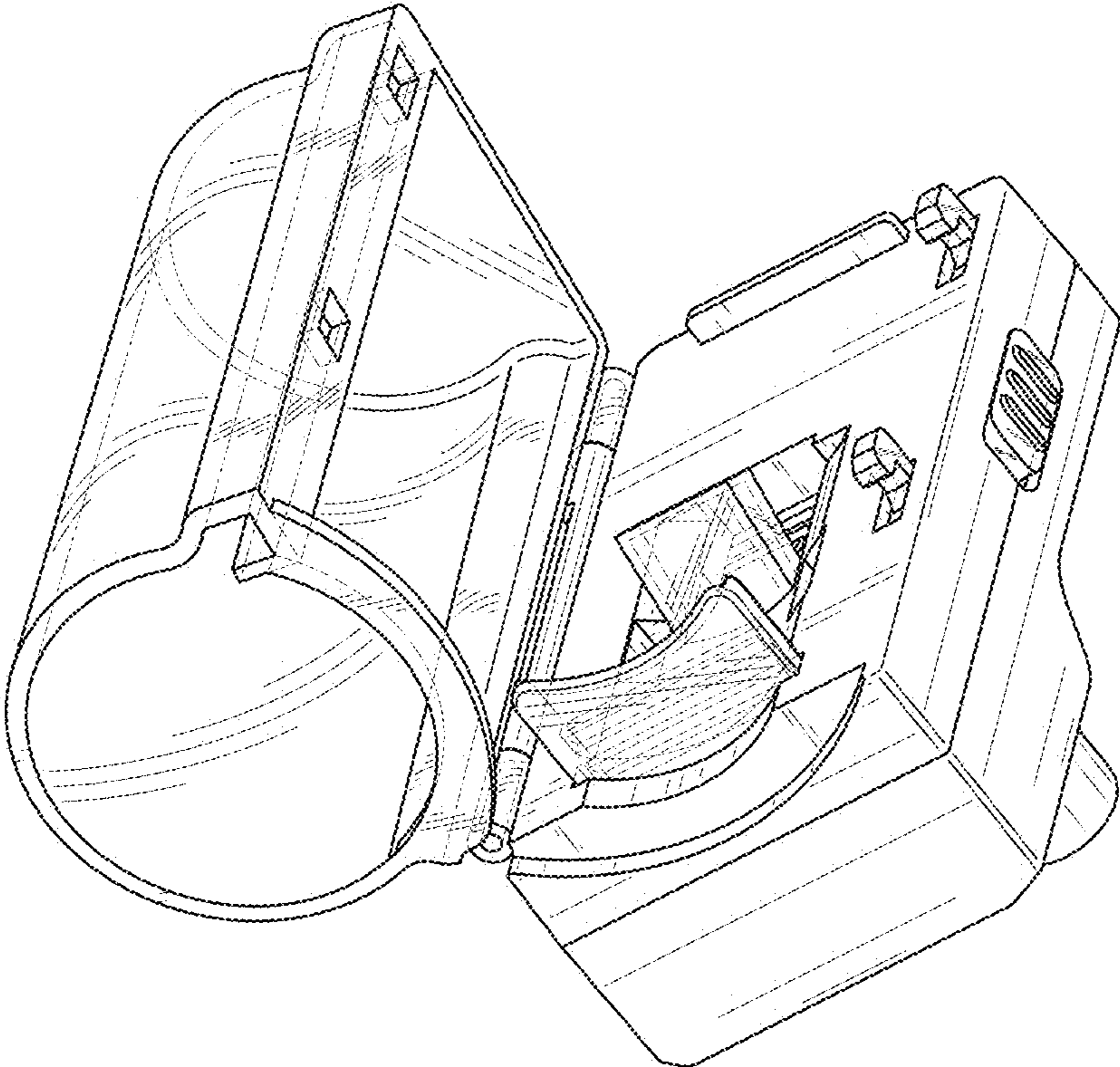


FIG. 2

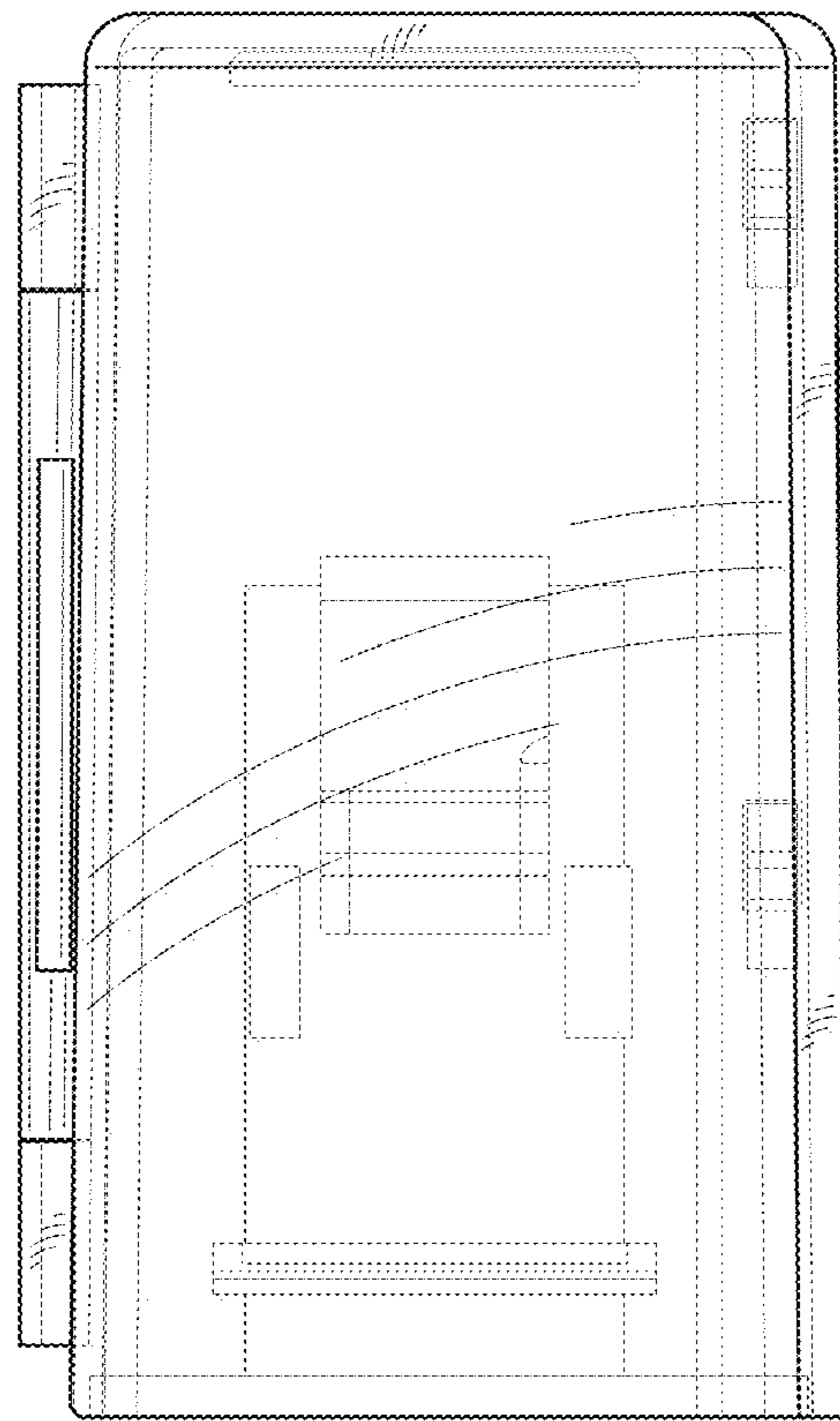


FIG. 3

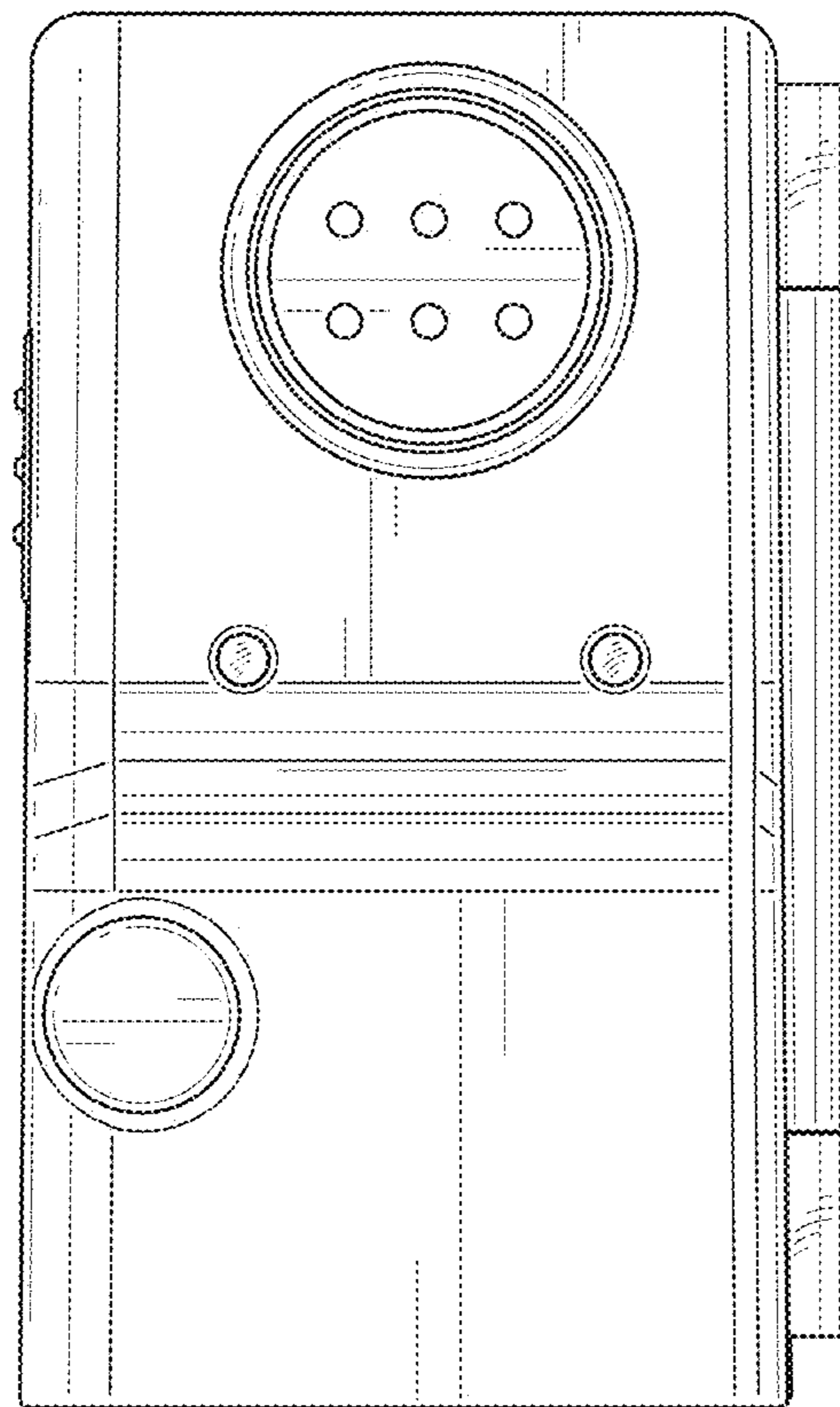


FIG. 4

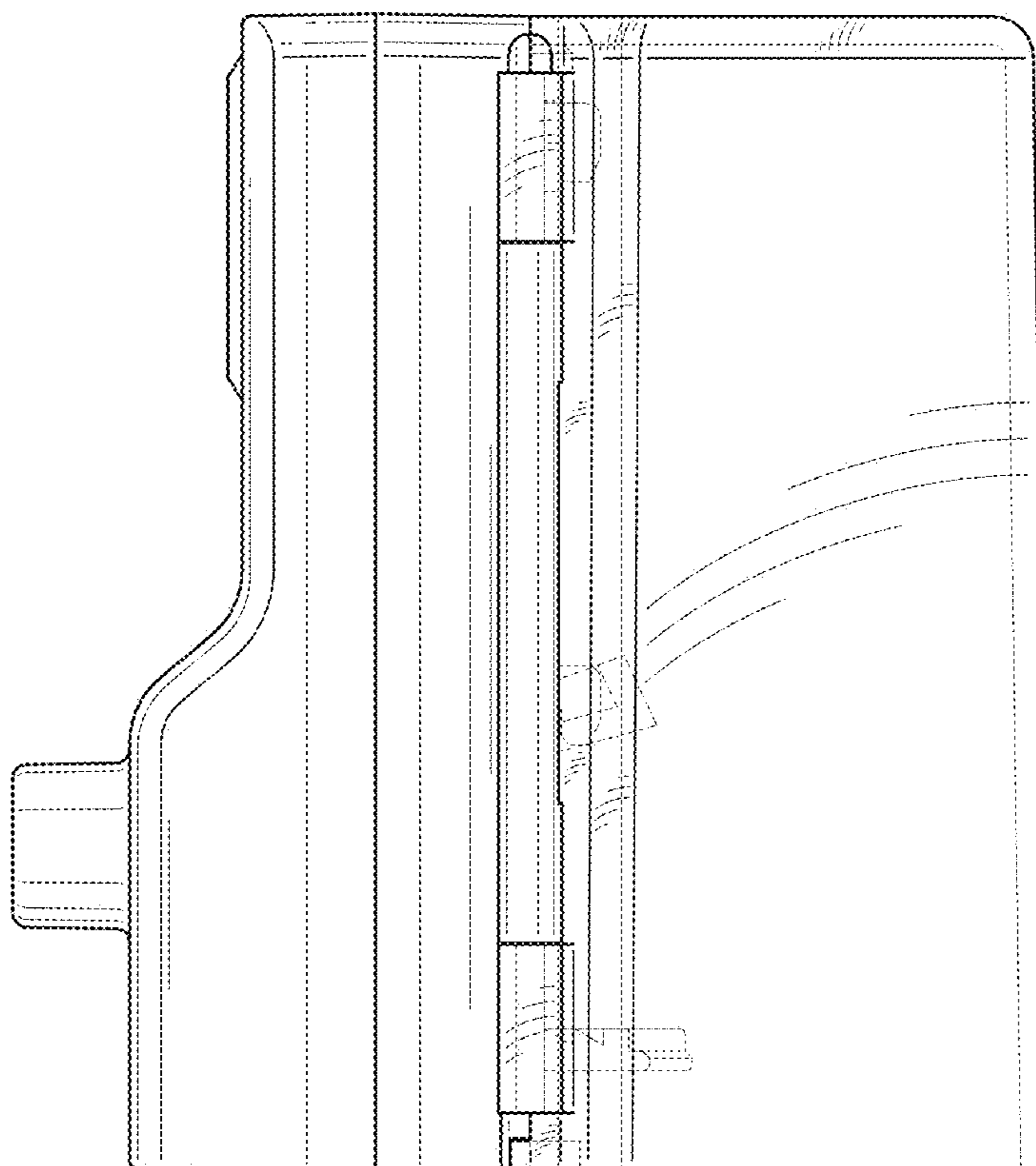


FIG. 5

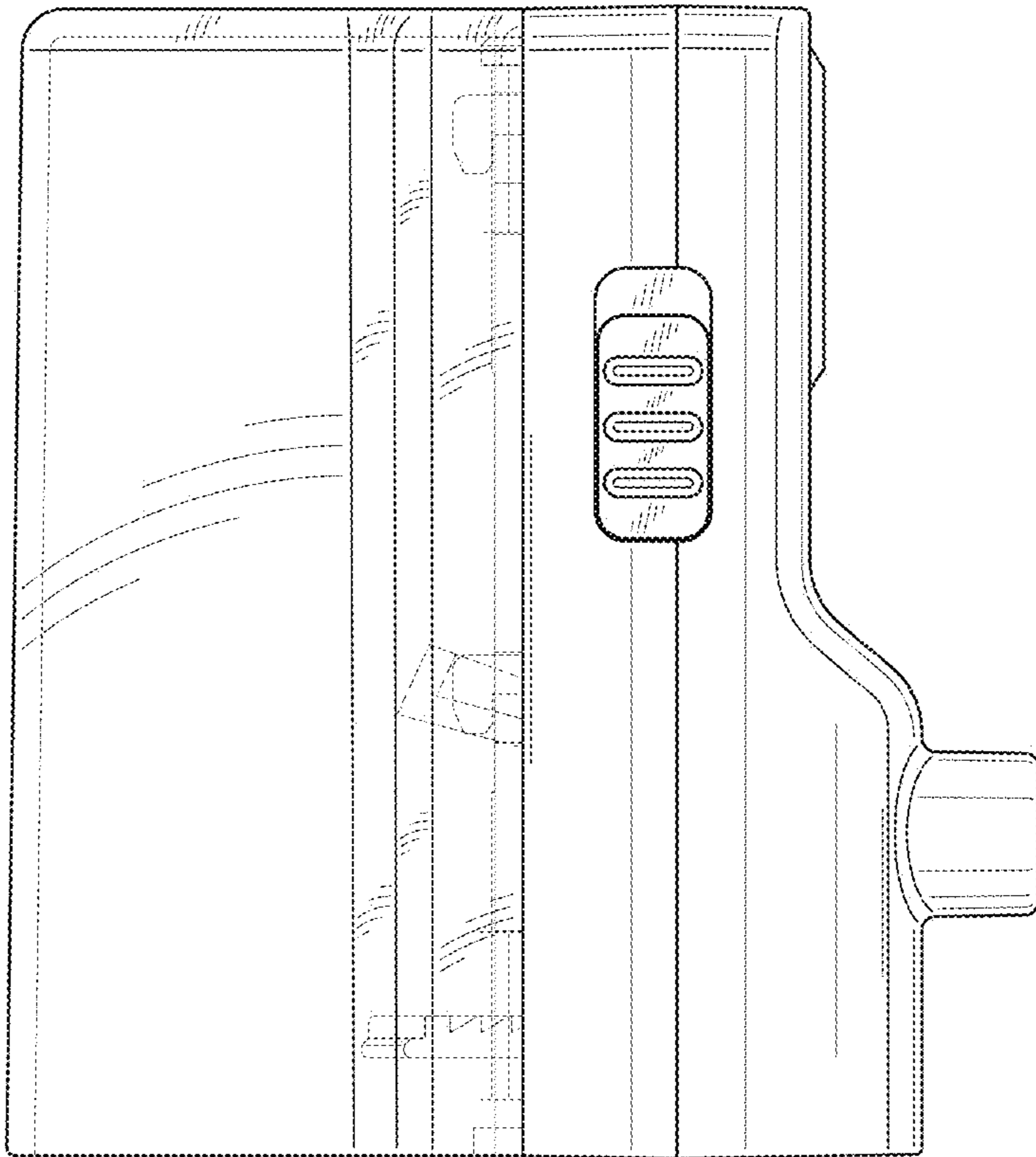


FIG. 6

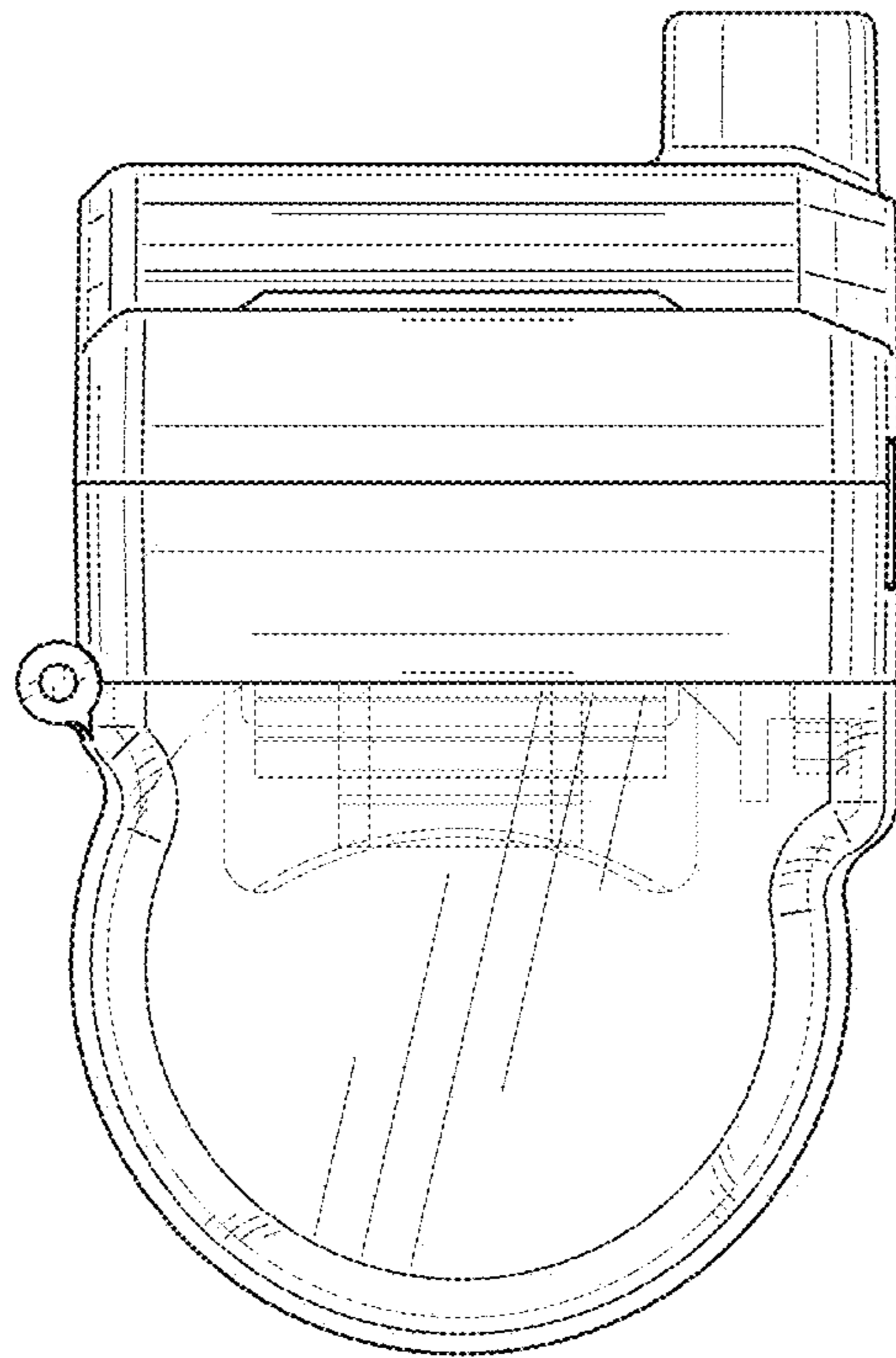


FIG. 7

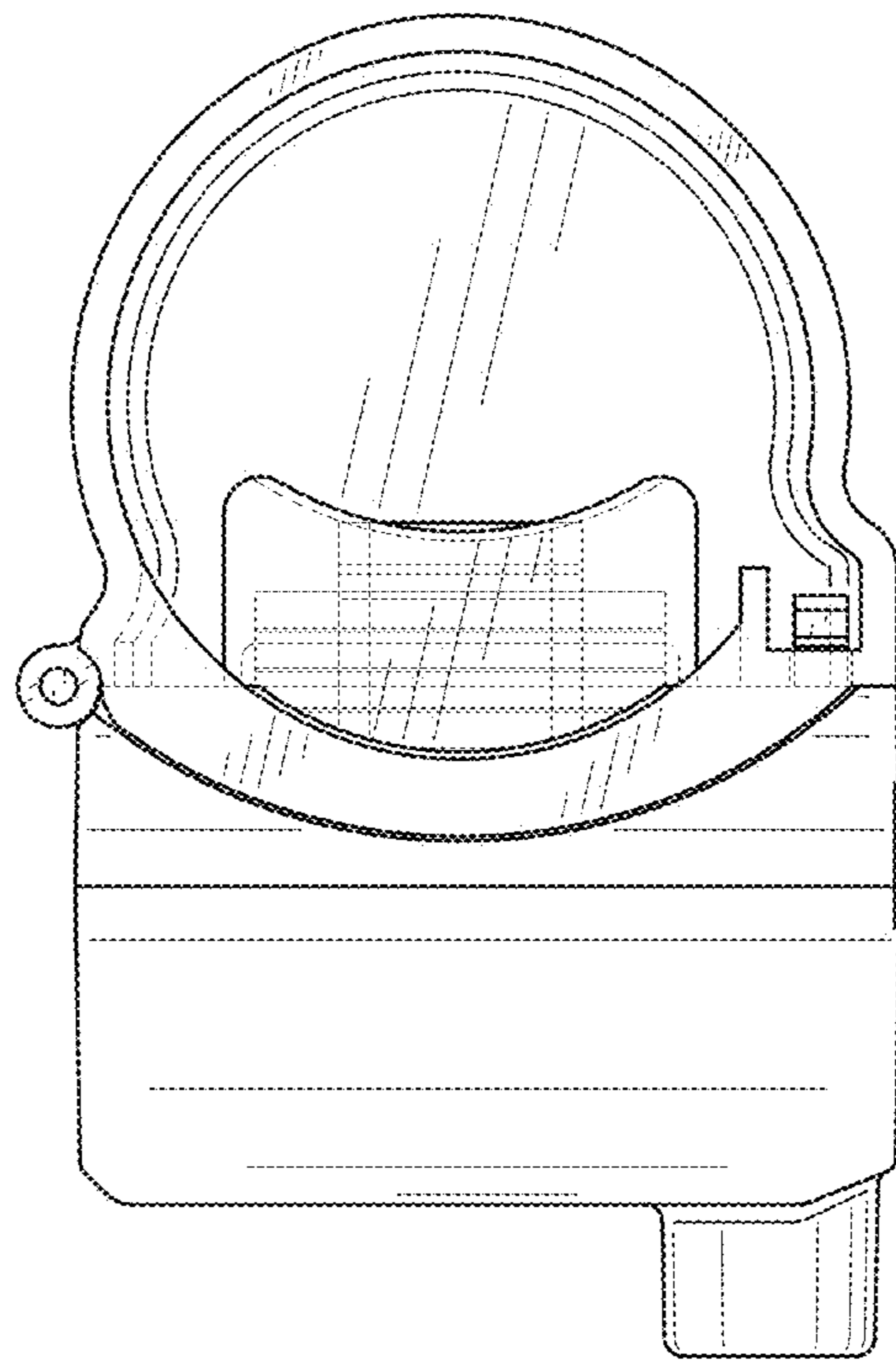


FIG. 8

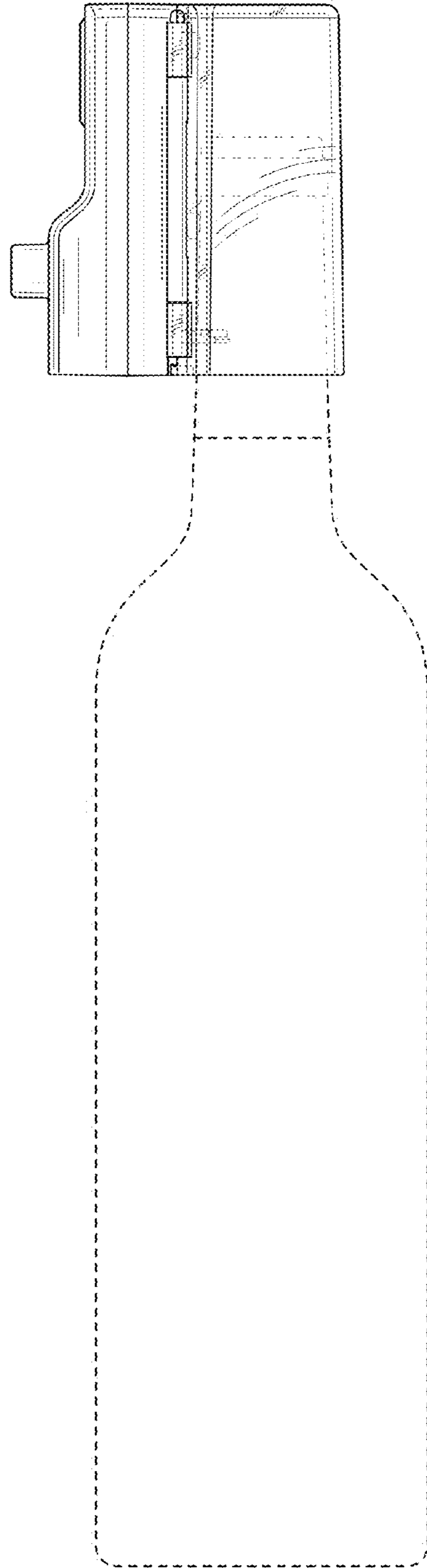


FIG. 9