



US00D727190S

(12) **United States Design Patent**
Higgs

(10) **Patent No.:** **US D727,190 S**

(45) **Date of Patent:** **** Apr. 21, 2015**

(54) **MULTI FUNCTION DISPLAY**

(71) Applicant: **Marine Canada Acquisition Inc.,**
Richmond (CA)

(72) Inventor: **Dave Higgs, Vancouver (CA)**

(73) Assignee: **Marine Canada Acquisition Inc.,**
Richmond (CA)

(**) Term: **14 Years**

(21) Appl. No.: **29/478,021**

(22) Filed: **Dec. 30, 2013**

(51) **LOC (10) Cl.** **10-04**

(52) **U.S. Cl.**
USPC **D10/103; D10/102**

(58) **Field of Classification Search**
CPC . B60L 11/14; B60L 11/1853; B60L 11/1864;
B60L 11/1861; B60L 2250/16; B60L 2250/24;
B60L 2200/32; B60L 2240/12; B60L
2240/441; G08B 21/00; G08B 23/00
USPC D10/102, 103, 125
See application file for complete search history.

(56) **References Cited**

U.S. PATENT DOCUMENTS

5,865,403	A *	2/1999	Covell	248/27.1
7,095,608	B2 *	8/2006	Simmons et al.	361/679.21
D712,289	S *	9/2014	Kagan et al.	D10/100
D712,290	S *	9/2014	Kagan et al.	D10/100
8,836,544	B1 *	9/2014	Balogh	340/984

* cited by examiner

Primary Examiner — Antoine D Davis

(74) *Attorney, Agent, or Firm* — Cameron IP

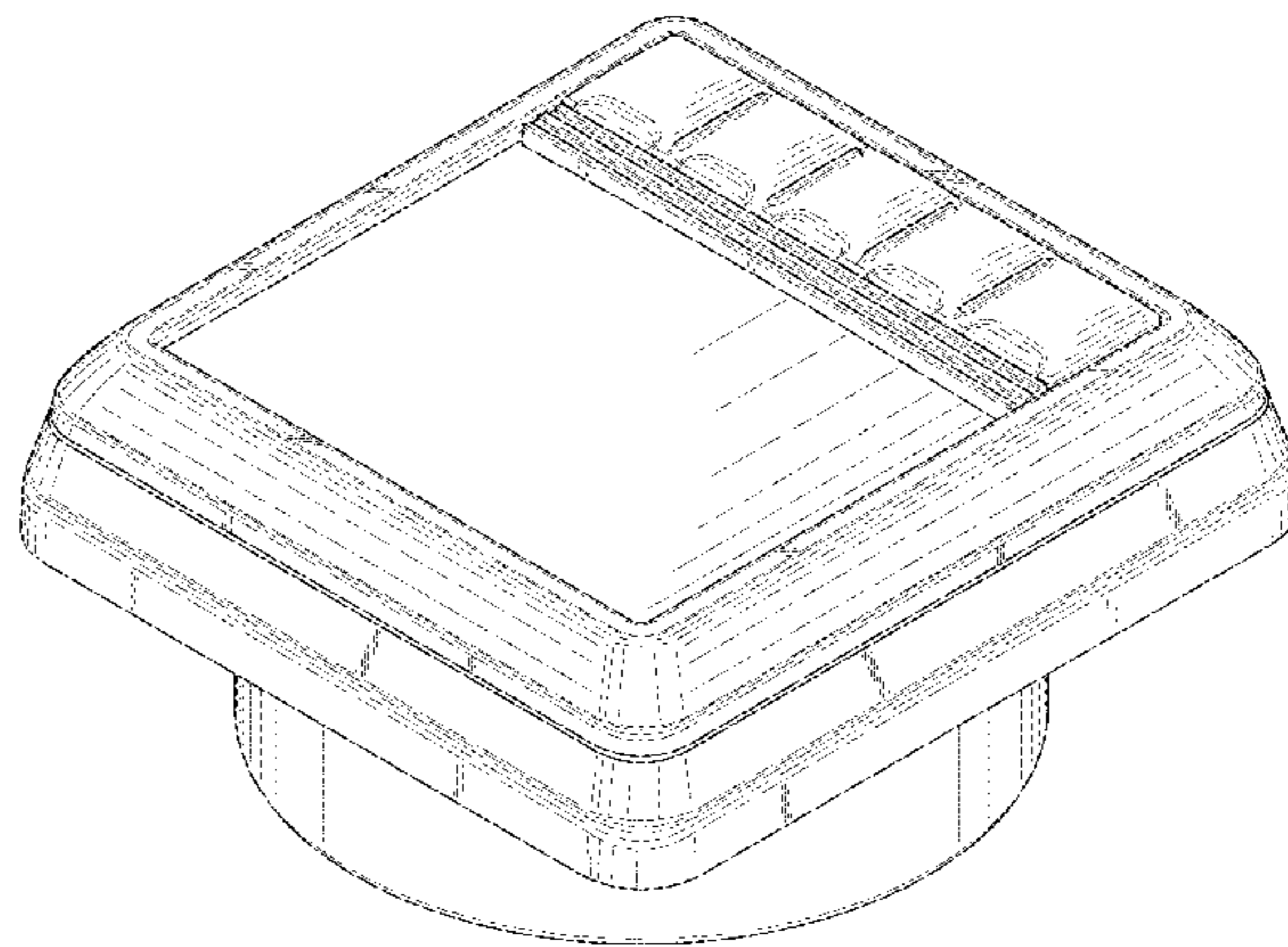
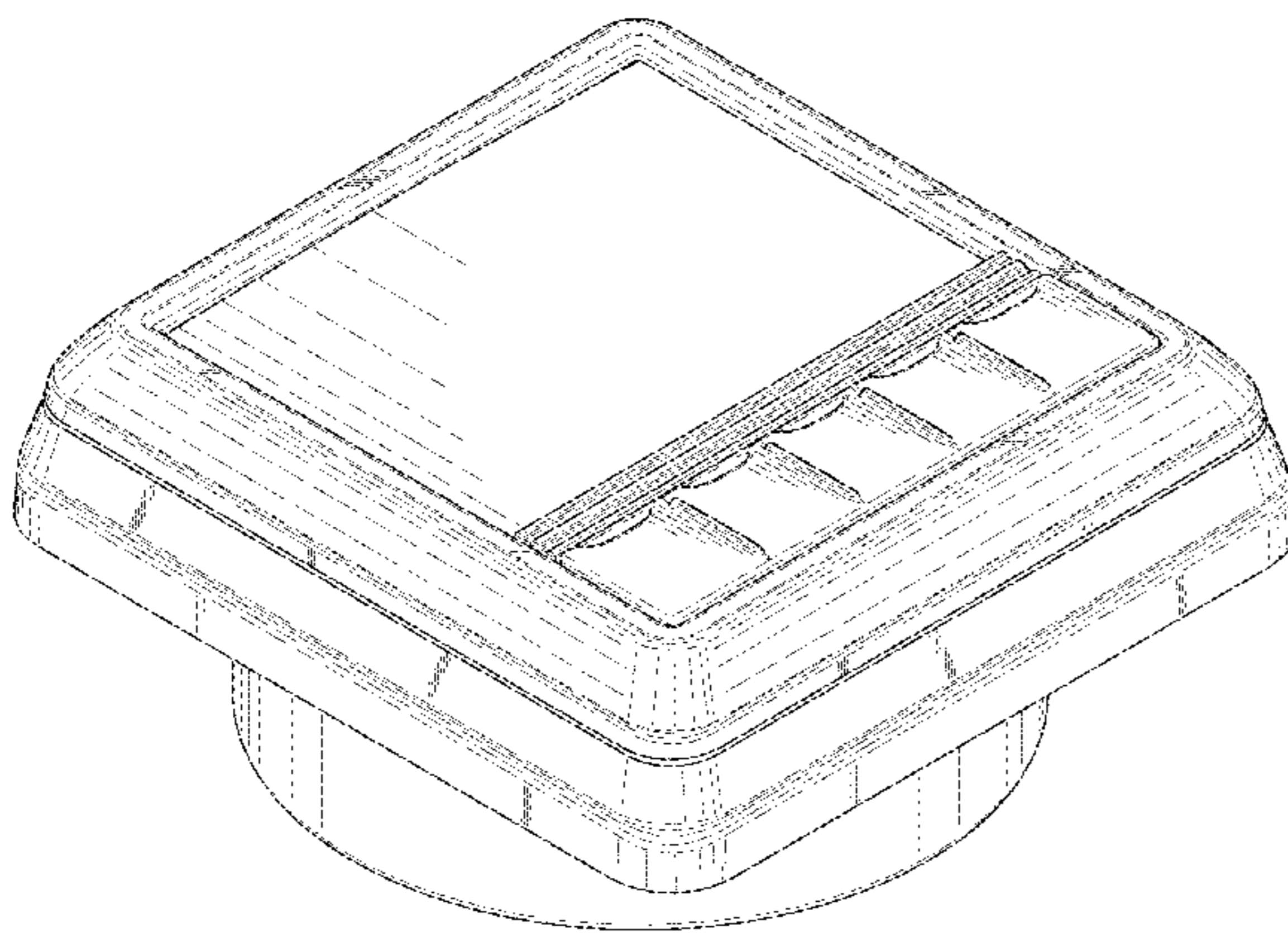
(57) **CLAIM**

The ornamental design for a multi function display, as shown and described.

DESCRIPTION

FIG. 1 is a front, bottom perspective view of a first embodiment of my design;
 FIG. 2 is a front, top perspective view thereof;
 FIG. 3 is a bottom plan view thereof;
 FIG. 4 is a top plan view thereof;
 FIG. 5 is a side elevational view thereof;
 FIG. 6 is a side elevational view from the side opposite to that of FIG. 5;
 FIG. 7 is a front elevational view thereof;
 FIG. 8 is a rear elevational view thereof;
 FIG. 9 is a front elevational view of a second embodiment of my design, the remaining views being the same as the first embodiment;
 FIG. 10 is a front elevational view of a third embodiment of my design, the remaining views being the same as the first embodiment; and,
 FIG. 11 is a front elevational view of a fourth embodiment of my design, the remaining views being the same as the first embodiment.
 The dashed lines of the various figures form no portion of the claimed design.

1 Claim, 11 Drawing Sheets



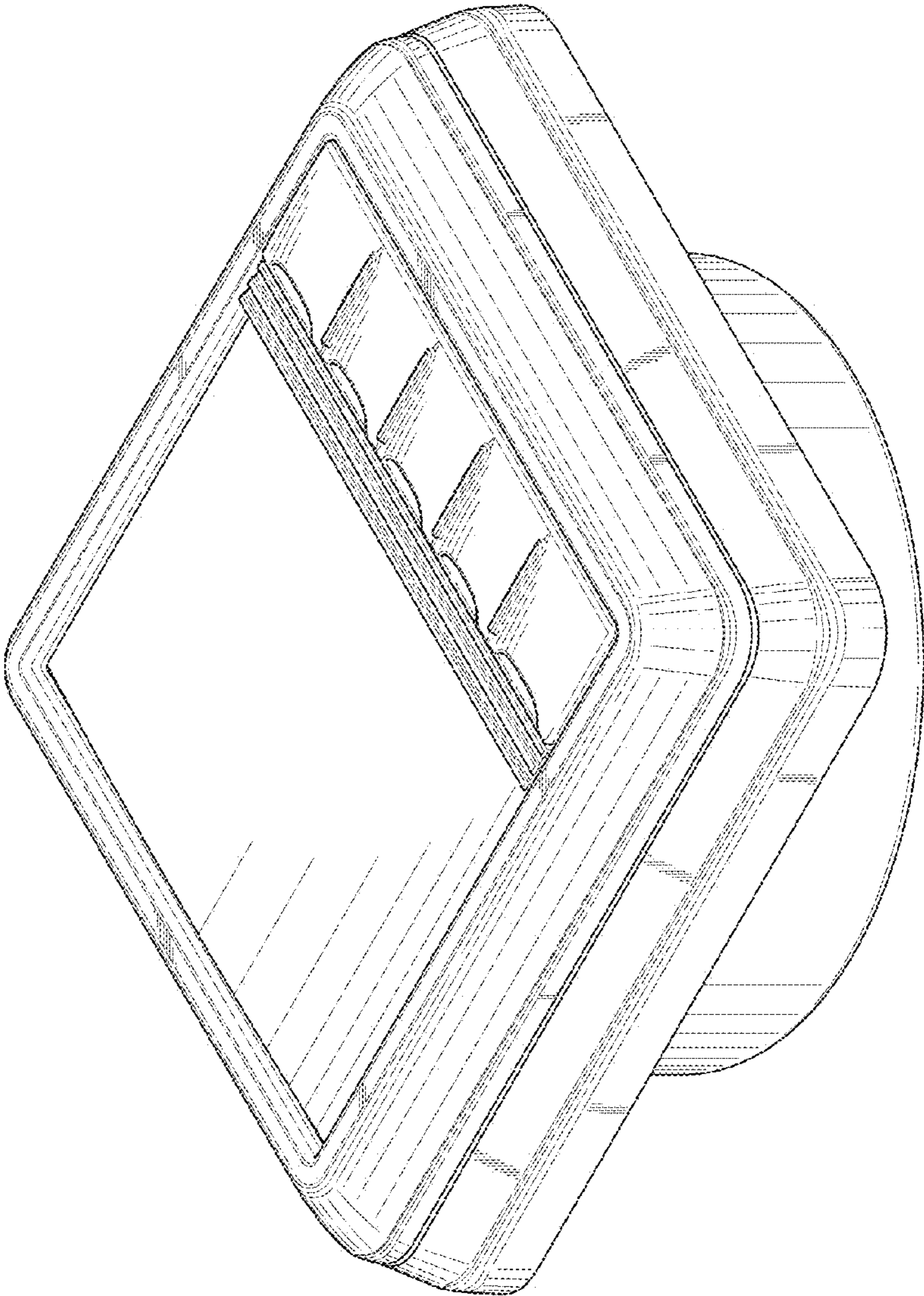


FIG. 1

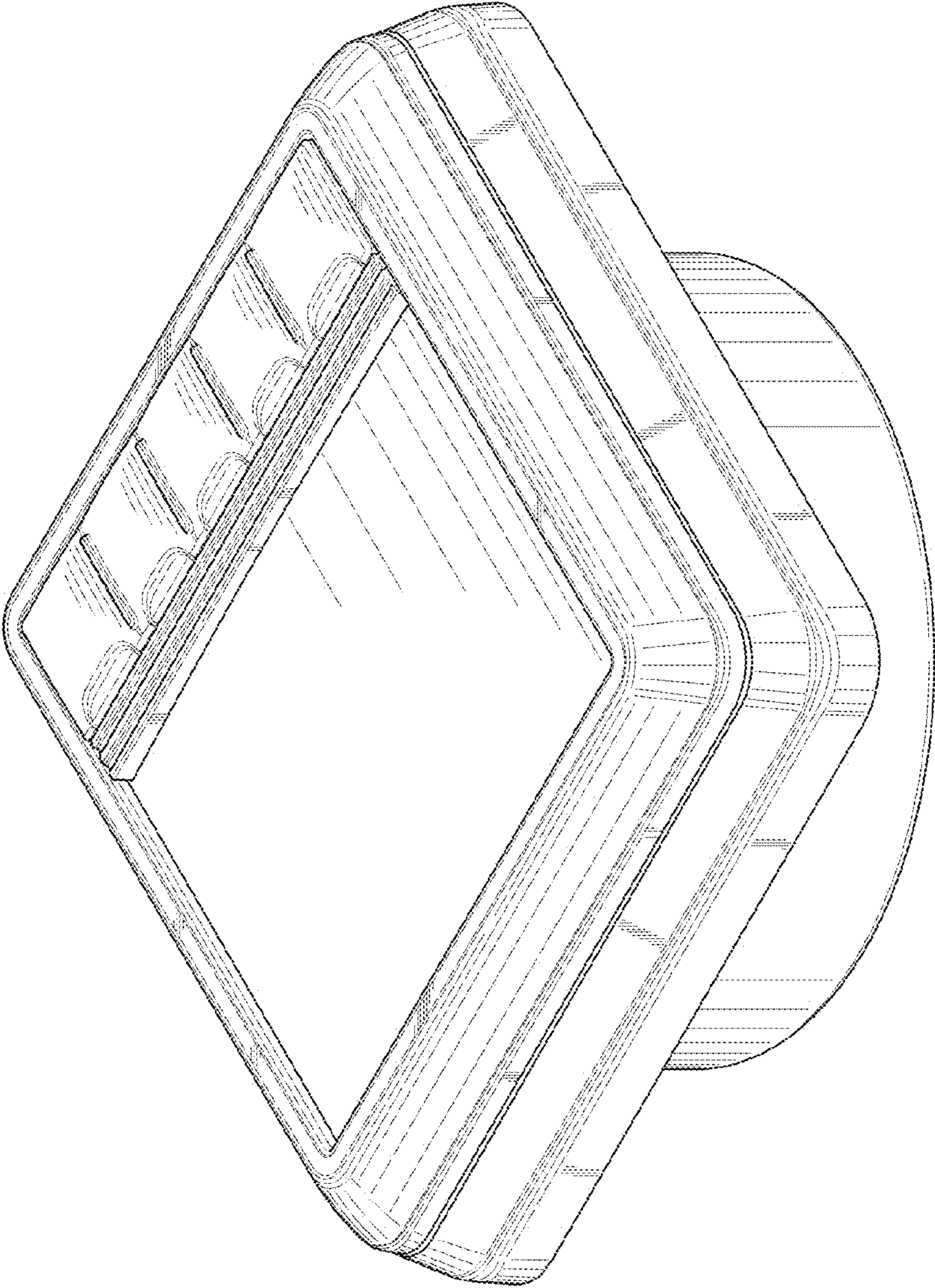


FIG. 2

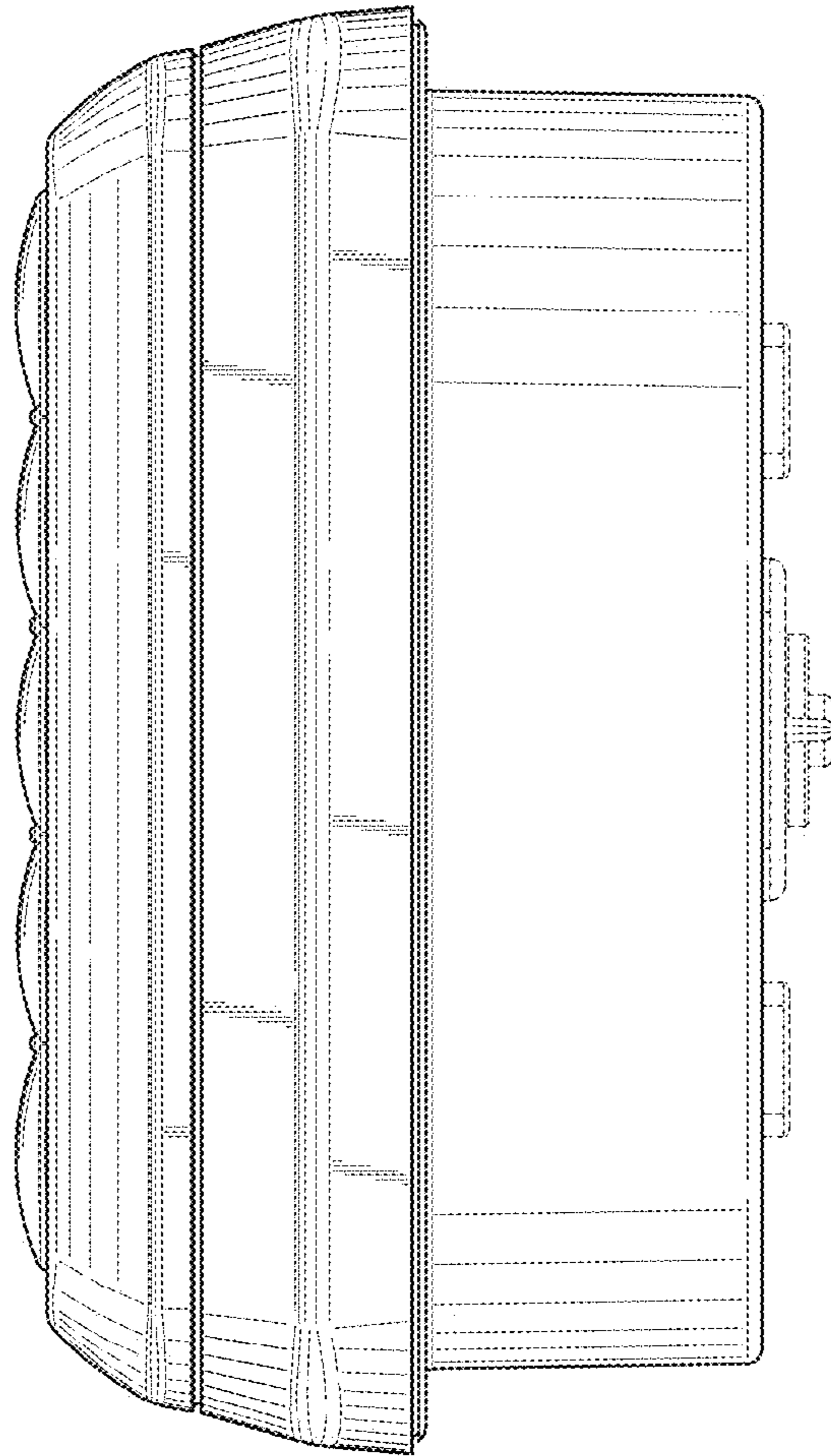


FIG. 3

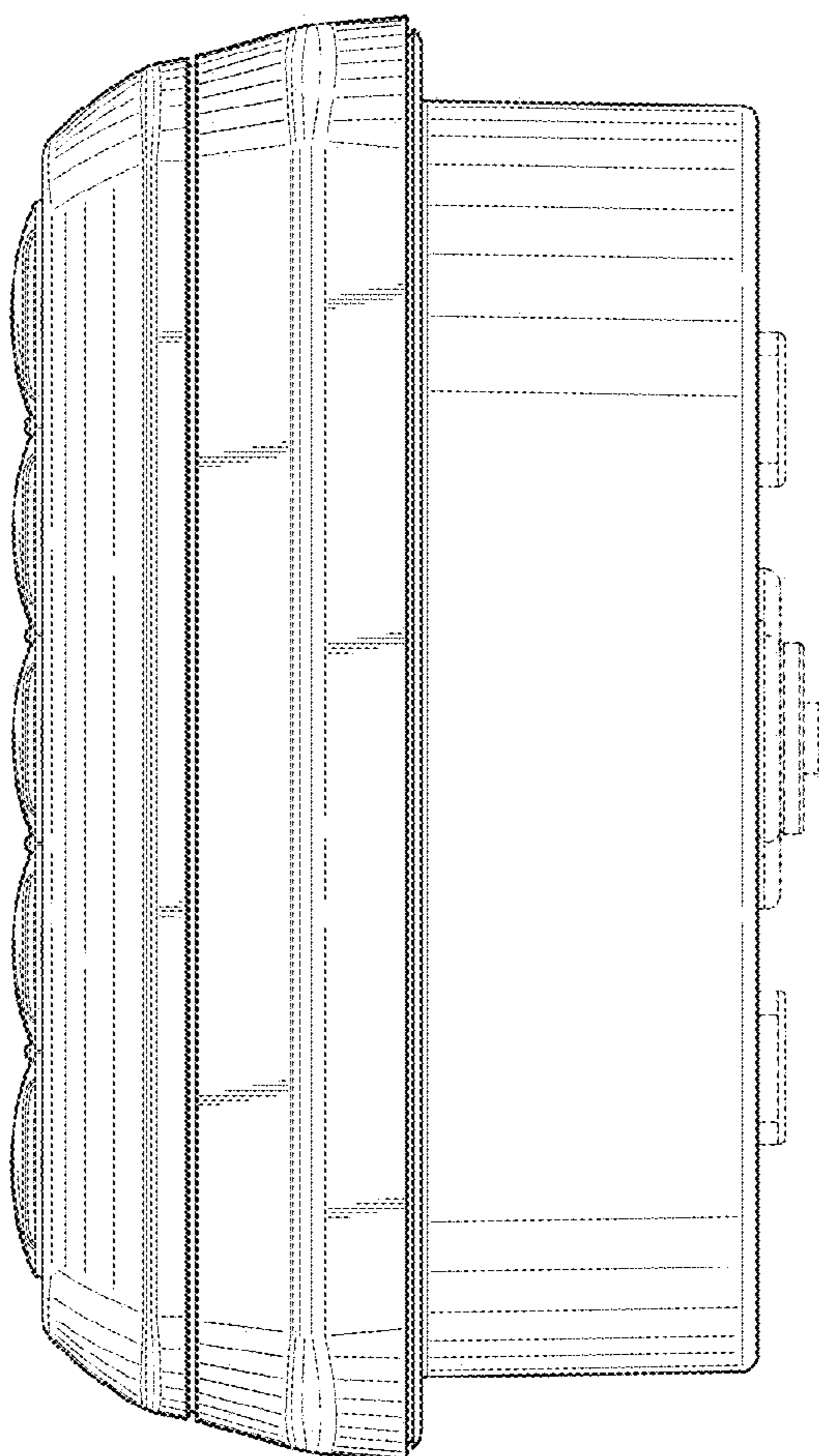


FIG. 4

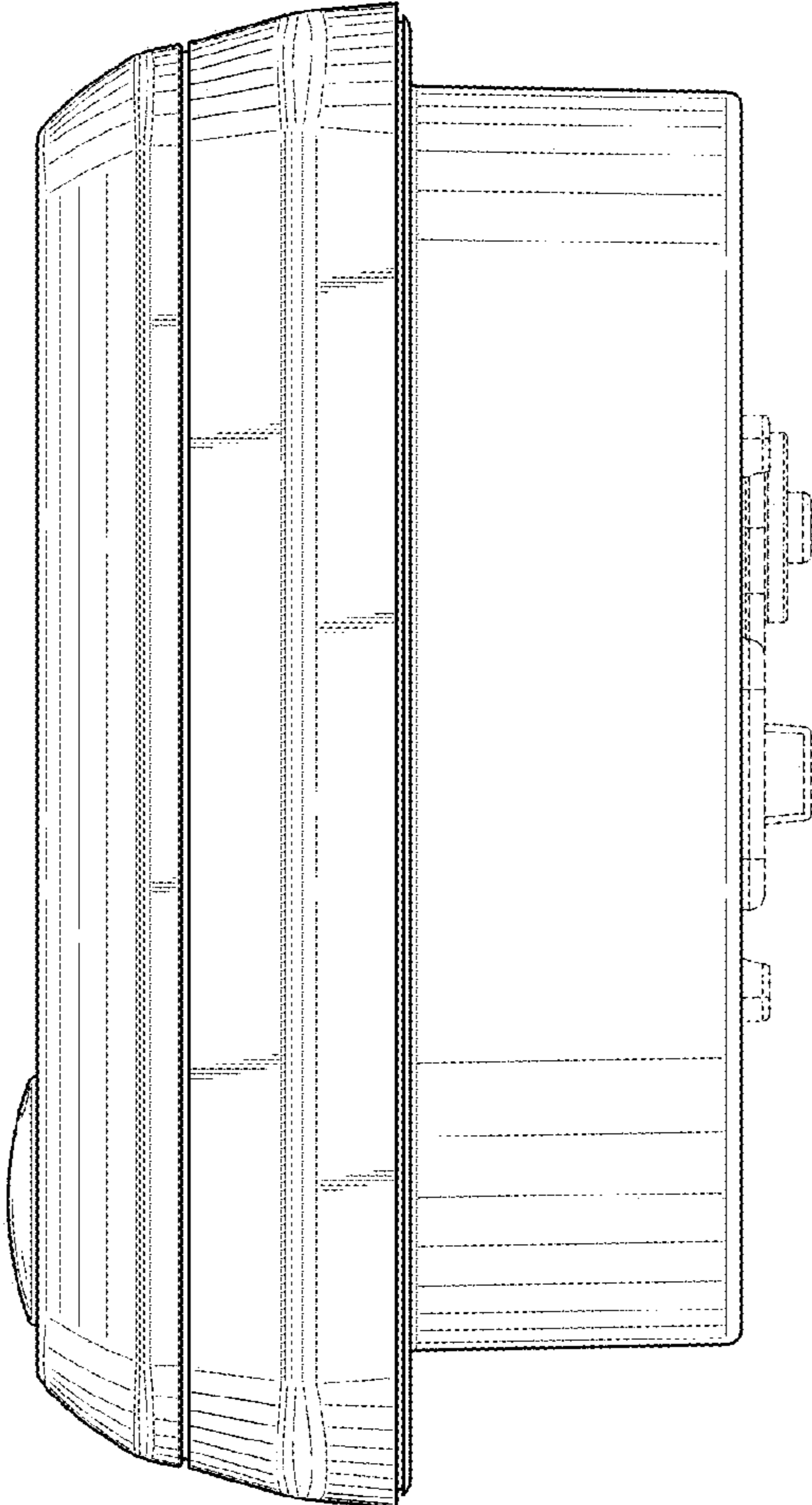


FIG. 5

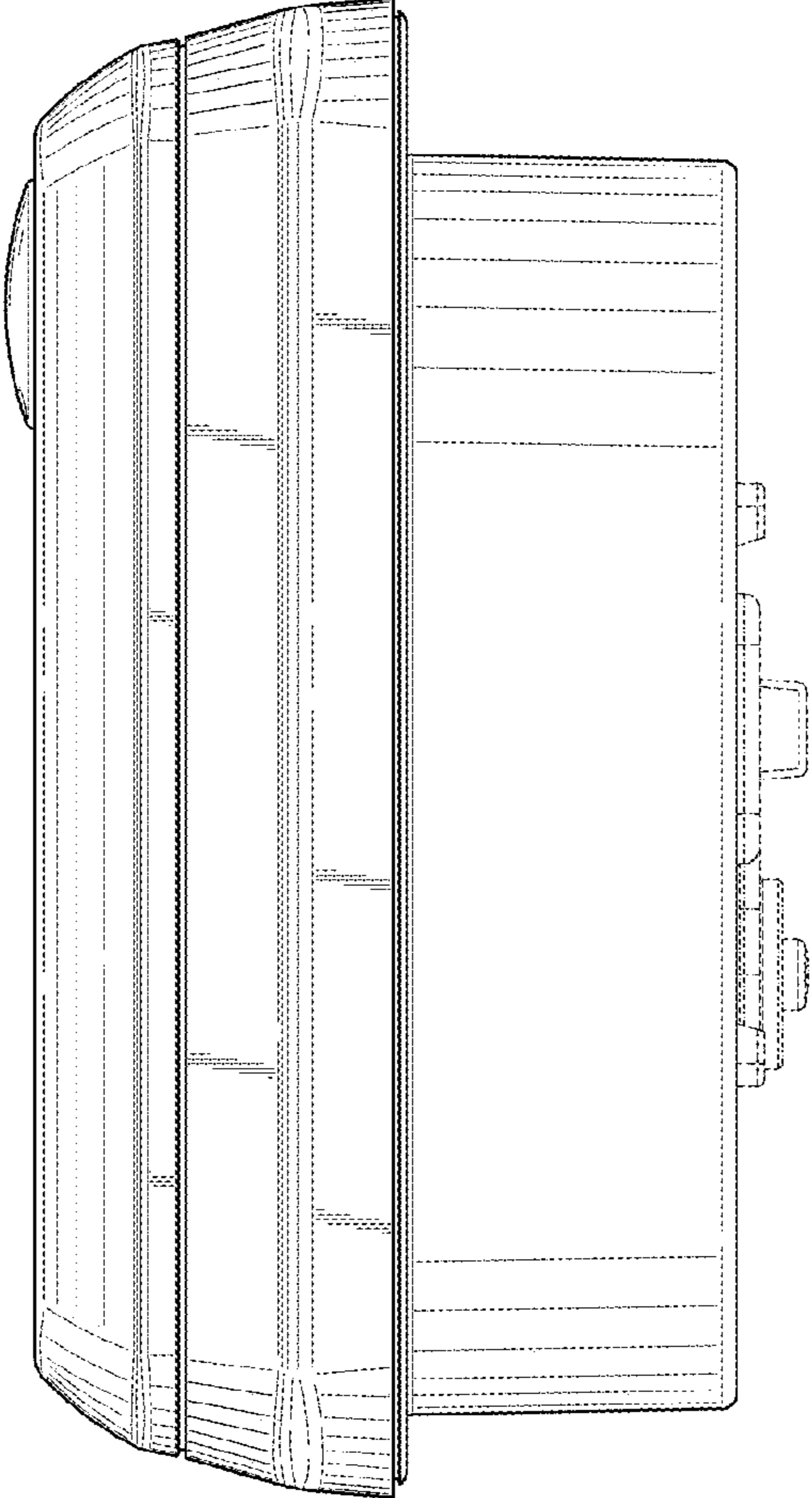


FIG. 6

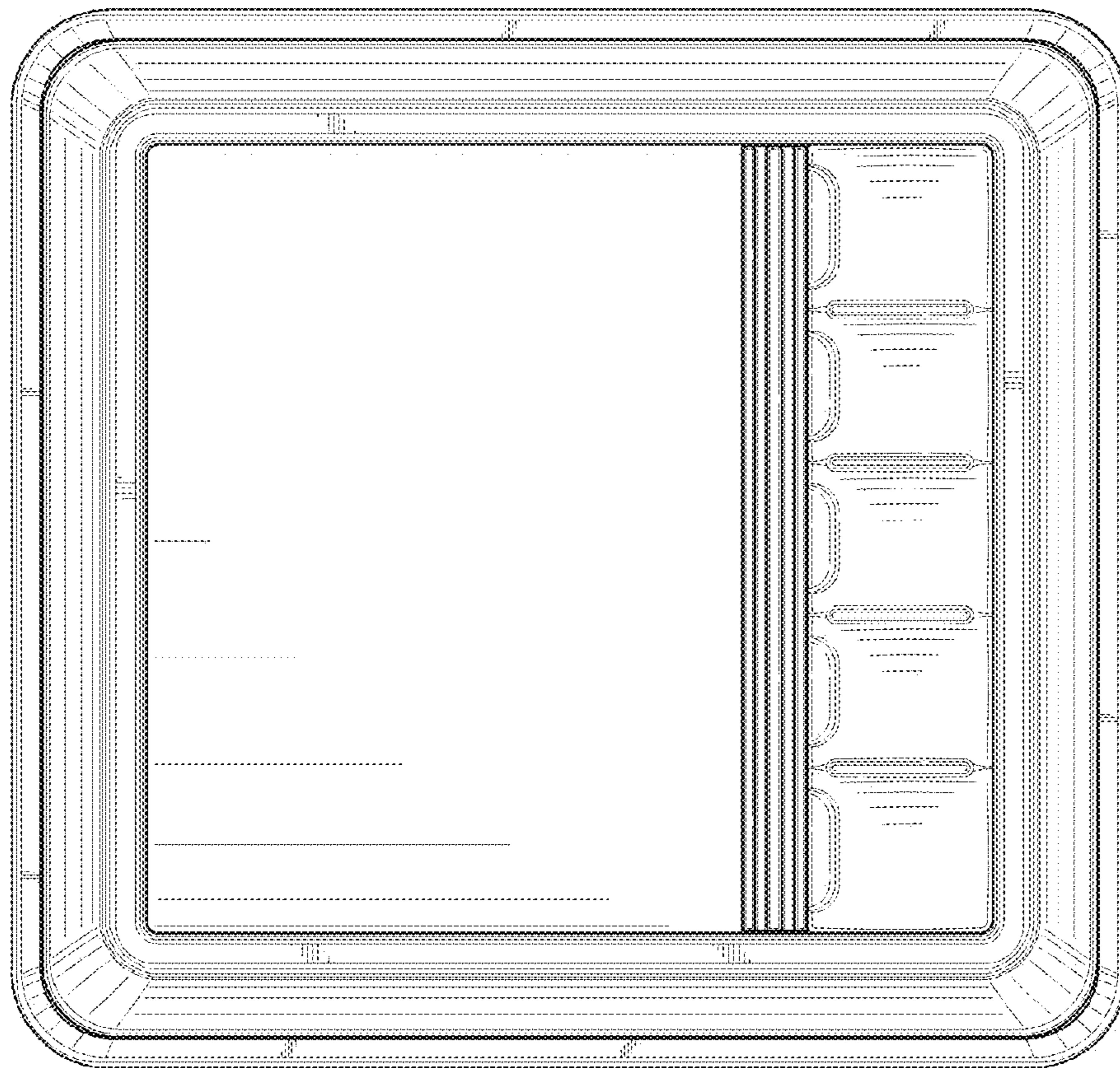


FIG. 7

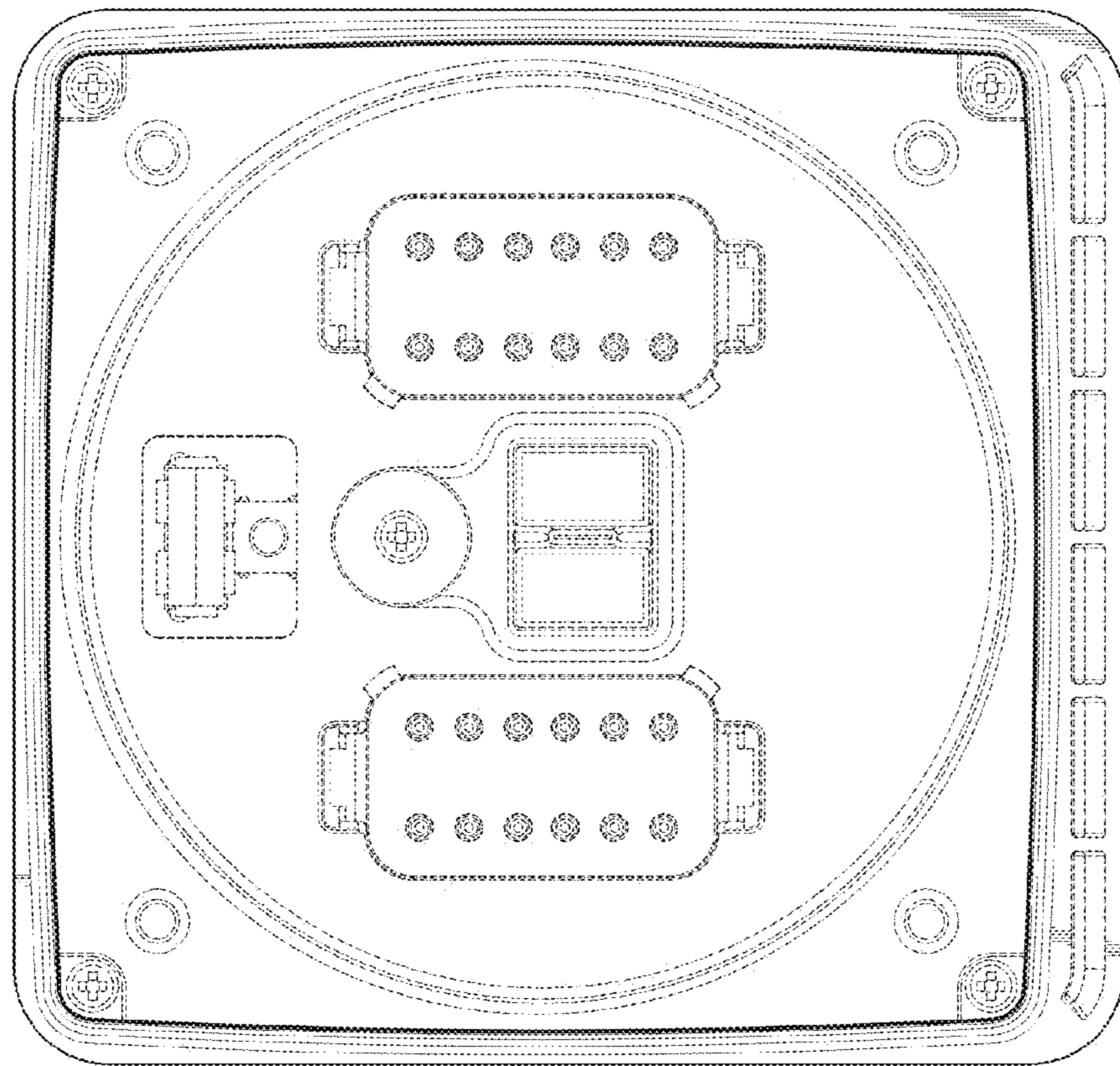


FIG. 8

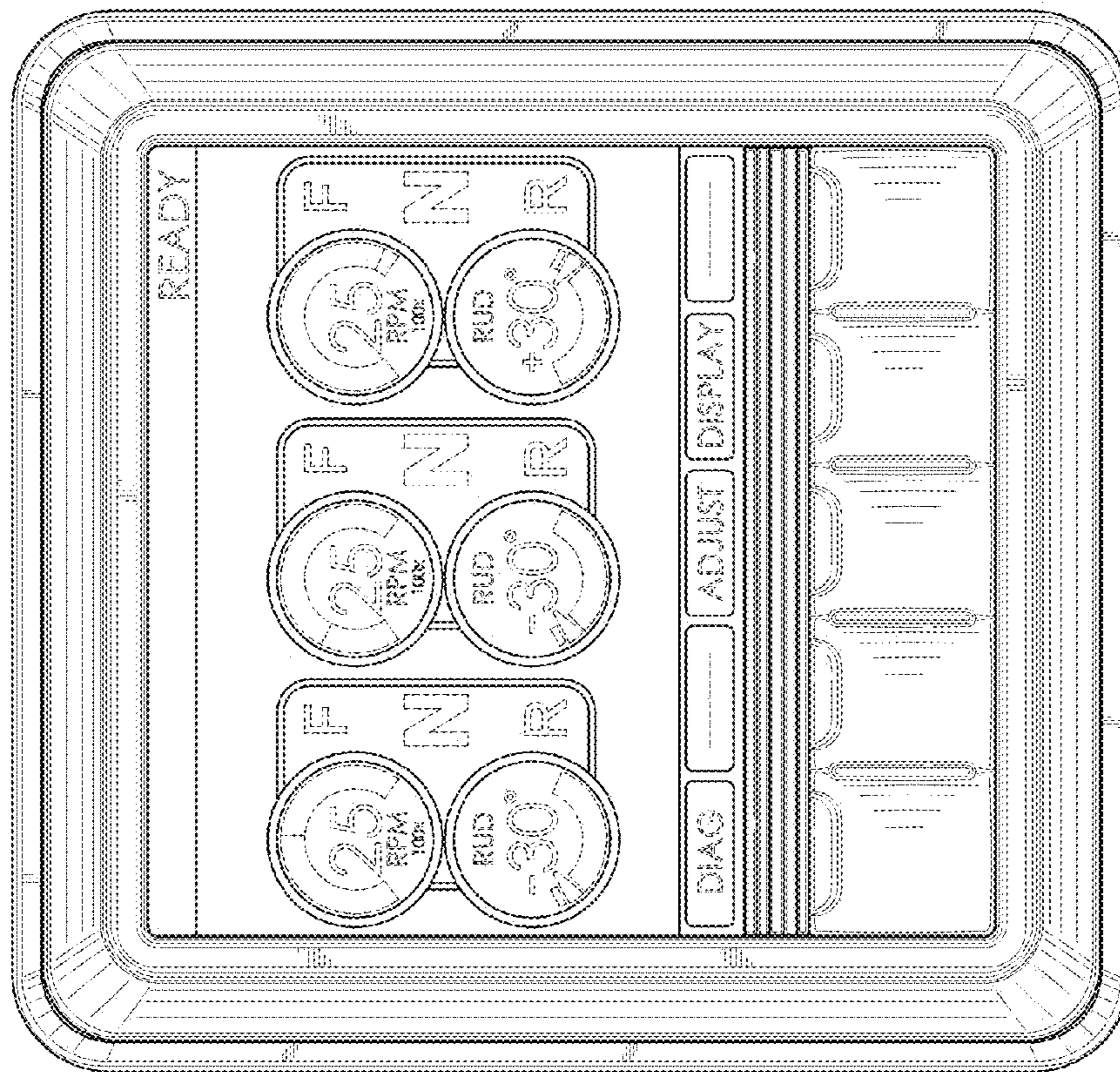


FIG. 9

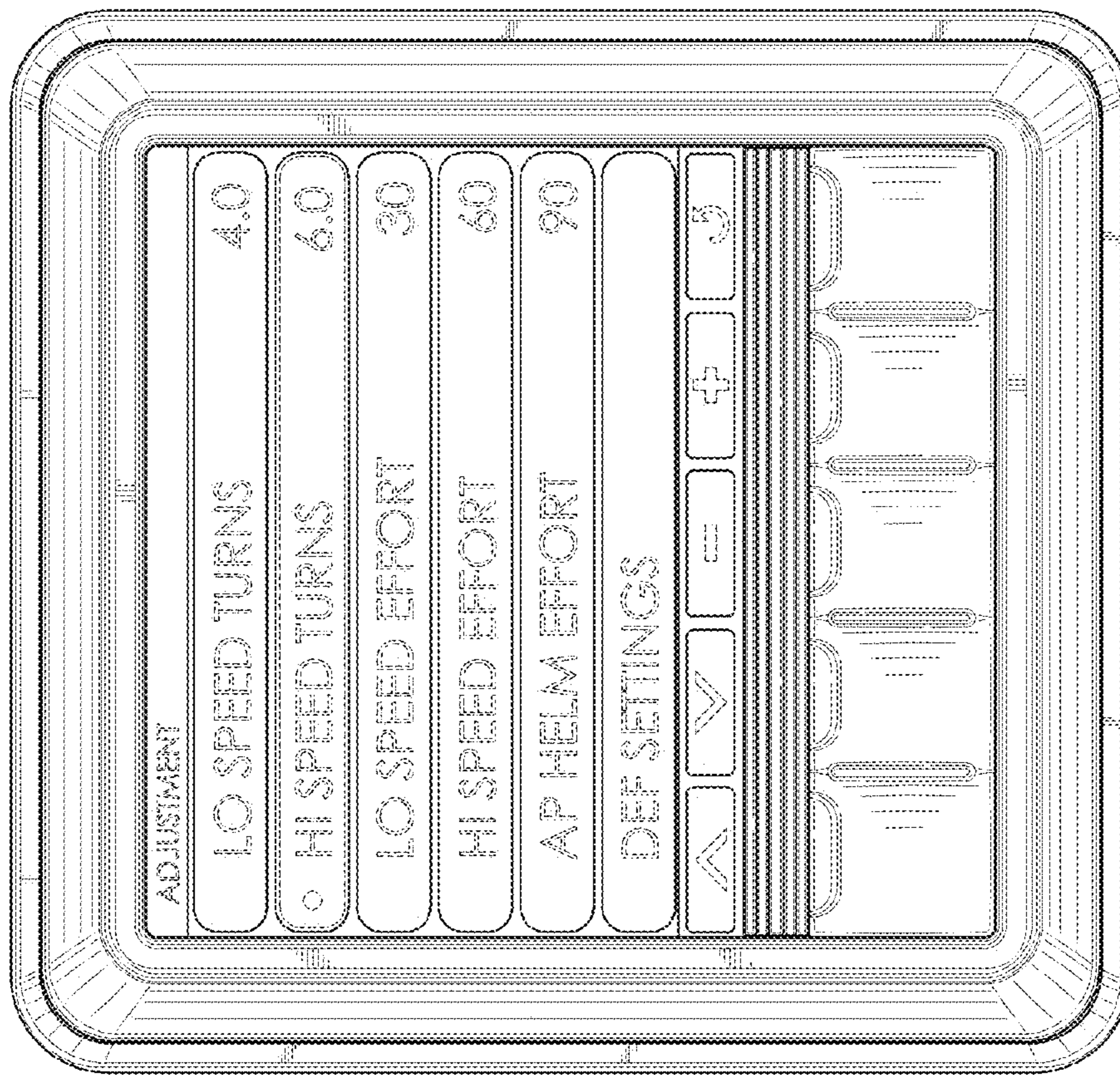


FIG. 10

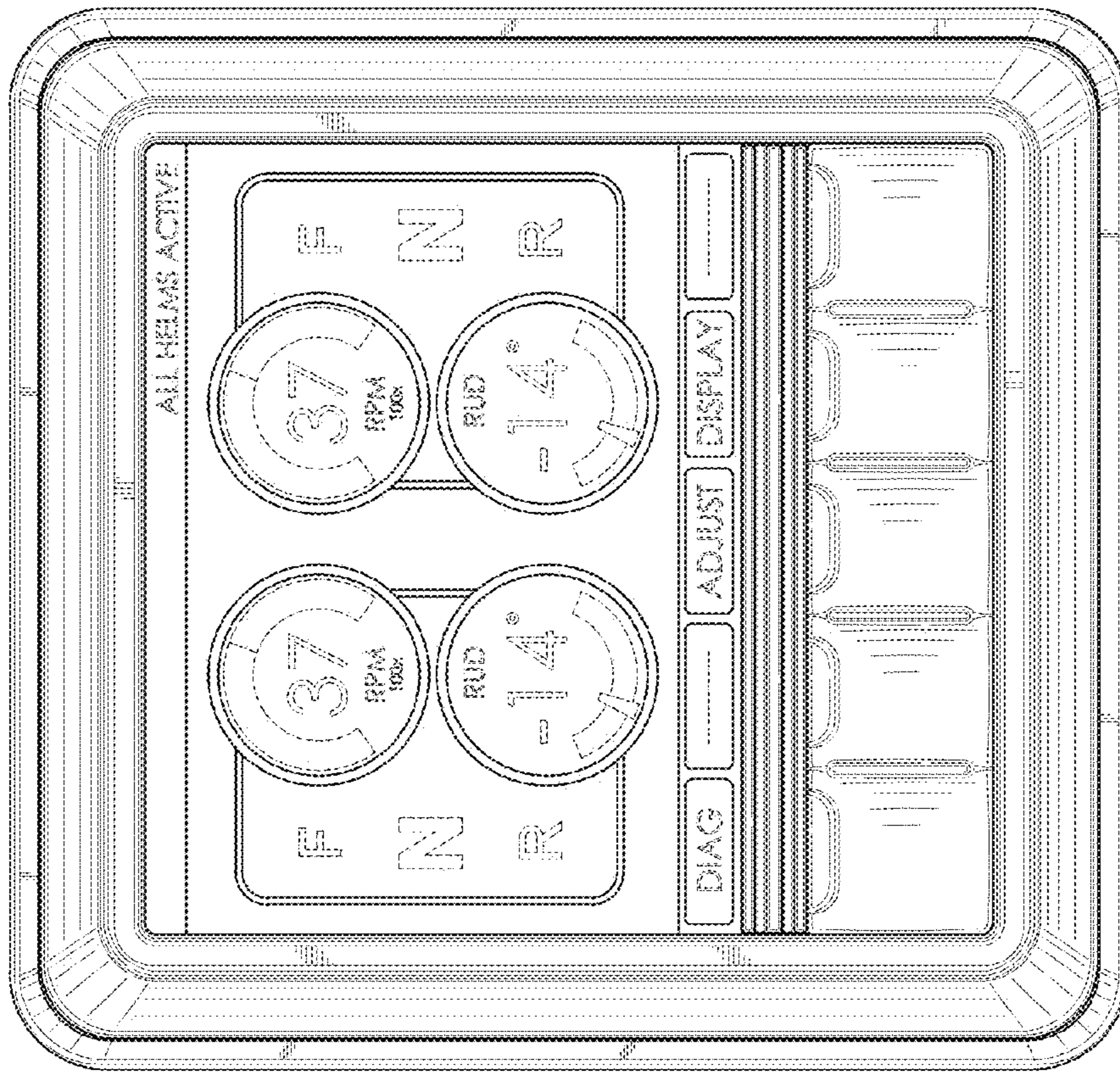


FIG. 11