



US00D727189S

(12) **United States Design Patent**  
**Goh et al.**

(10) **Patent No.:** **US D727,189 S**  
(45) **Date of Patent:** **\*\* Apr. 21, 2015**

(54) **ASPHERIC LENS WITH INTEGRAL FLANGE FOR OPTICAL MEASUREMENT INSTRUMENT**

(71) Applicant: **Agilent Technologies, Inc.**, Santa Clara, CA (US)

(72) Inventors: **Tze Wei Priscilla Goh**, Penang (MY);  
**Thean Ho Lee**, Penang (MY)

(73) Assignee: **Agilent Technologies, Inc.**, Santa Clara, CA (US)

(\*\*) Term: **14 Years**

(21) Appl. No.: **29/476,795**

(22) Filed: **Dec. 17, 2013**

(51) **LOC (10) Cl.** ..... **10-04**

(52) **U.S. Cl.**  
USPC ..... **D10/103**

(58) **Field of Classification Search**  
CPC .... A61F 2/16; G02B 27/4211; G02B 5/1895;  
G01N 21/6486; G01N 21/645; G01N 21/274;  
G01N 21/93; G01N 2035/00326; G01J  
3/0291; G01J 3/4406  
USPC ..... D10/103  
See application file for complete search history.

(56) **References Cited**

U.S. PATENT DOCUMENTS

|                |         |                  |          |
|----------------|---------|------------------|----------|
| D447,964 S *   | 9/2001  | Kompa .....      | D10/103  |
| 6,473,232 B2 * | 10/2002 | Ogawa .....      | 359/565  |
| 7,826,148 B2 * | 11/2010 | Zung et al. .... | 359/708  |
| 8,858,627 B1 * | 10/2014 | Lindstrom .....  | 623/6.37 |

\* cited by examiner

*Primary Examiner* — Antoine D Davis

(57) **CLAIM**

We claim the ornamental design for an aspheric lens with integral flange for optical measurement instrument, as shown and described.

**DESCRIPTION**

FIG. 1 is a top perspective view of an aspheric lens with integral flange for optical measurement instrument showing our new design.

FIG. 2 is a bottom perspective view thereof.

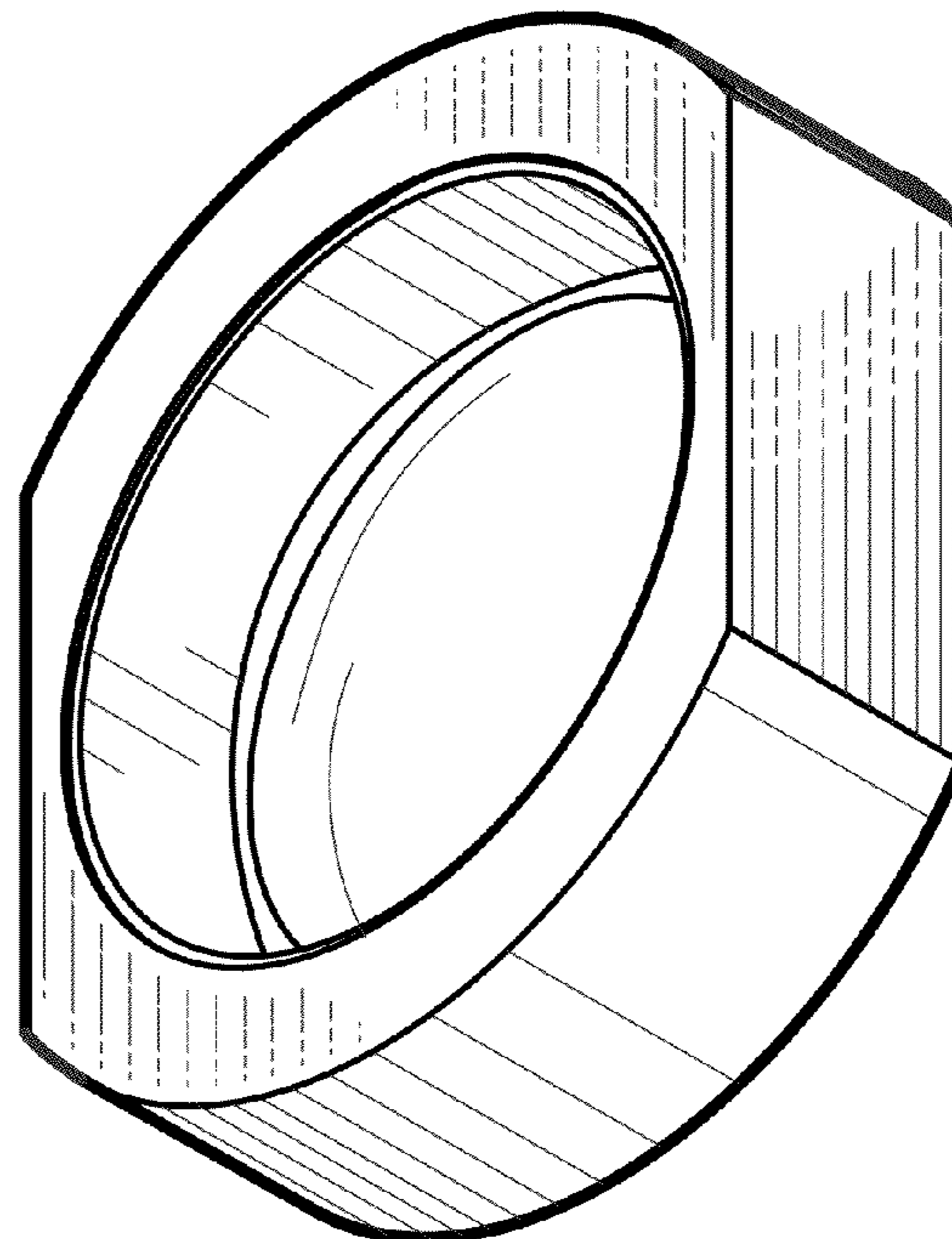
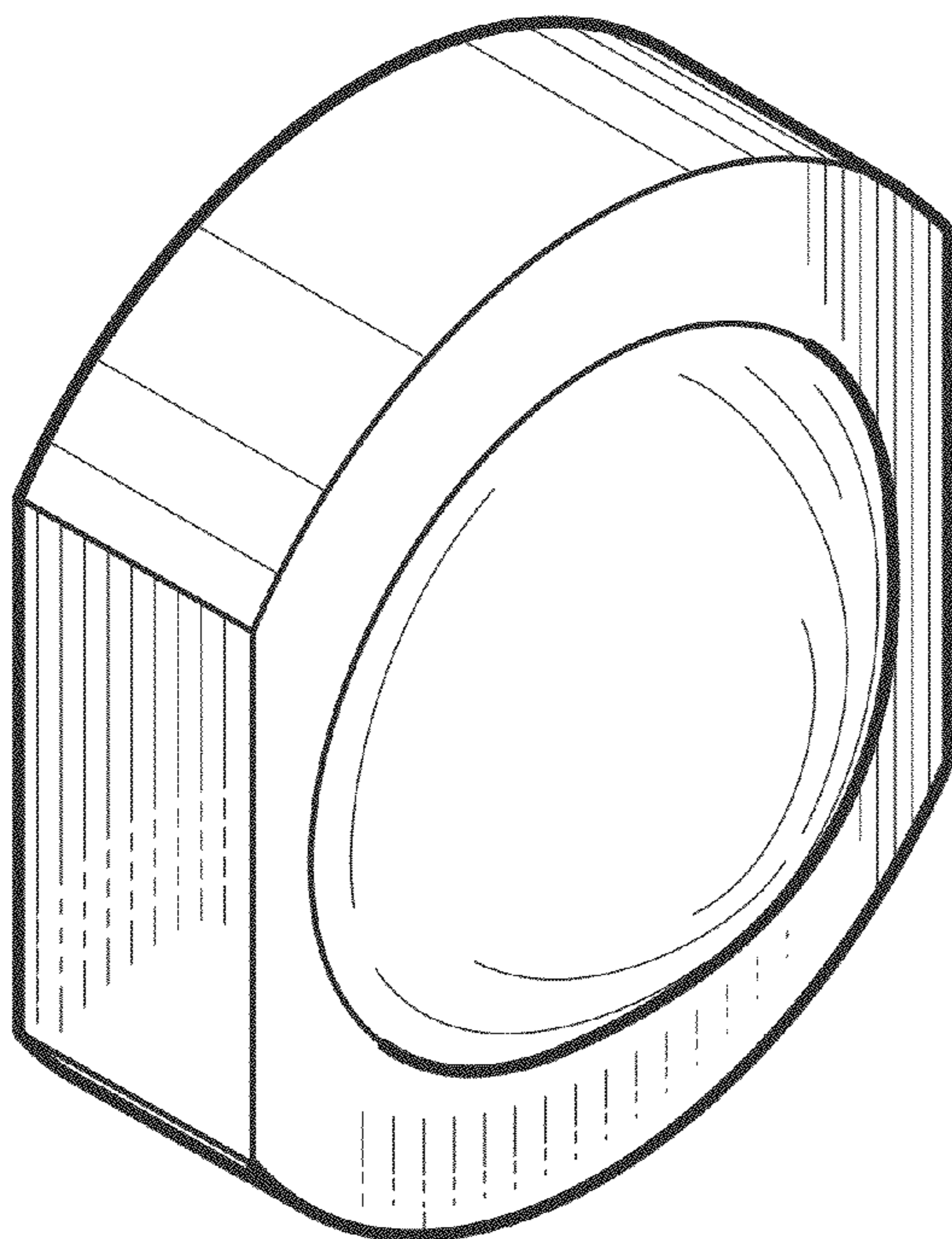
FIG. 3 is a top plan view thereof.

FIG. 4 is a bottom plan view thereof.

FIG. 5 is a left side elevation view thereof, the right side being a mirror image; and,

FIG. 6 is a front side view thereof, the rear side being a mirror image.

**1 Claim, 3 Drawing Sheets**



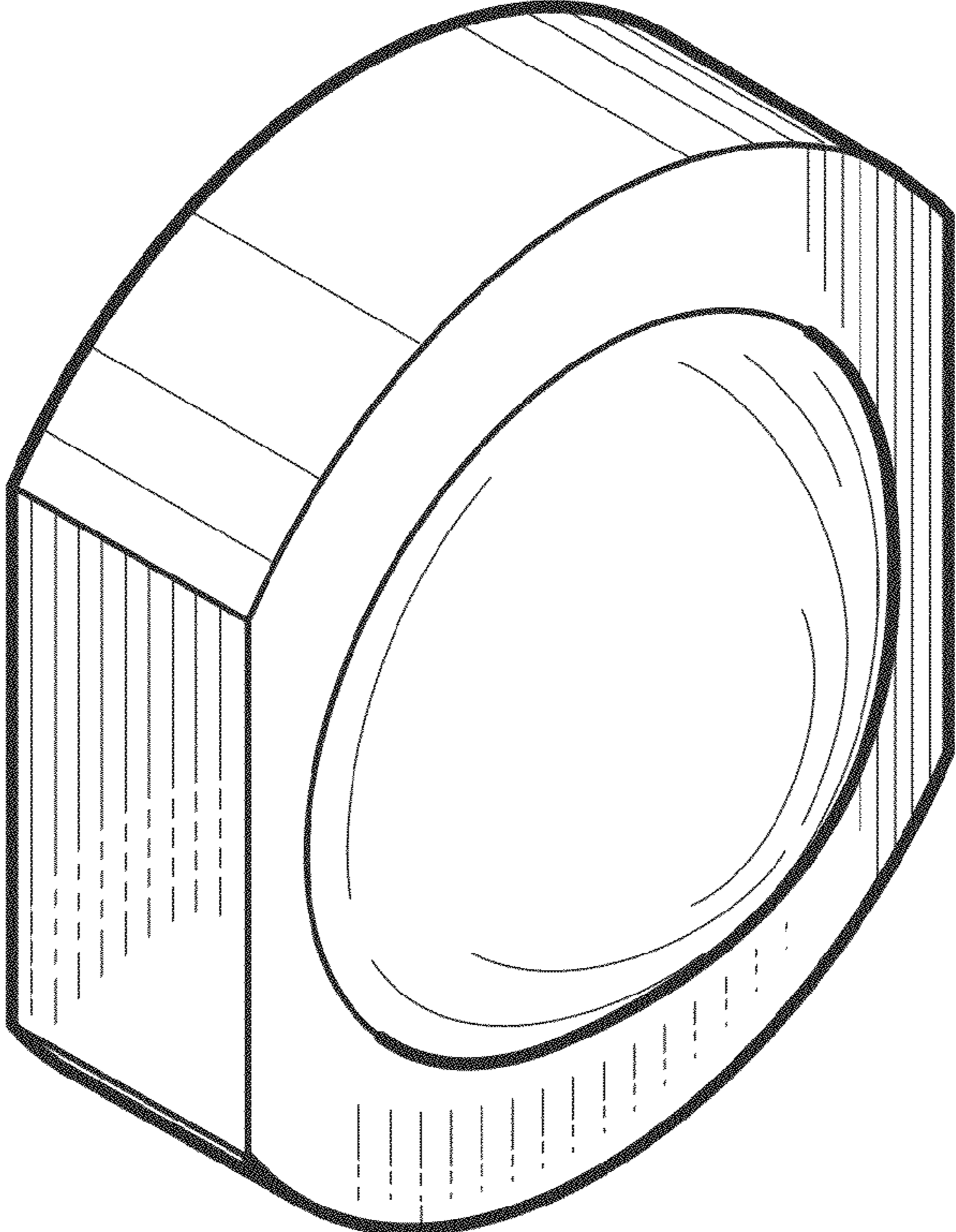


Fig. 1

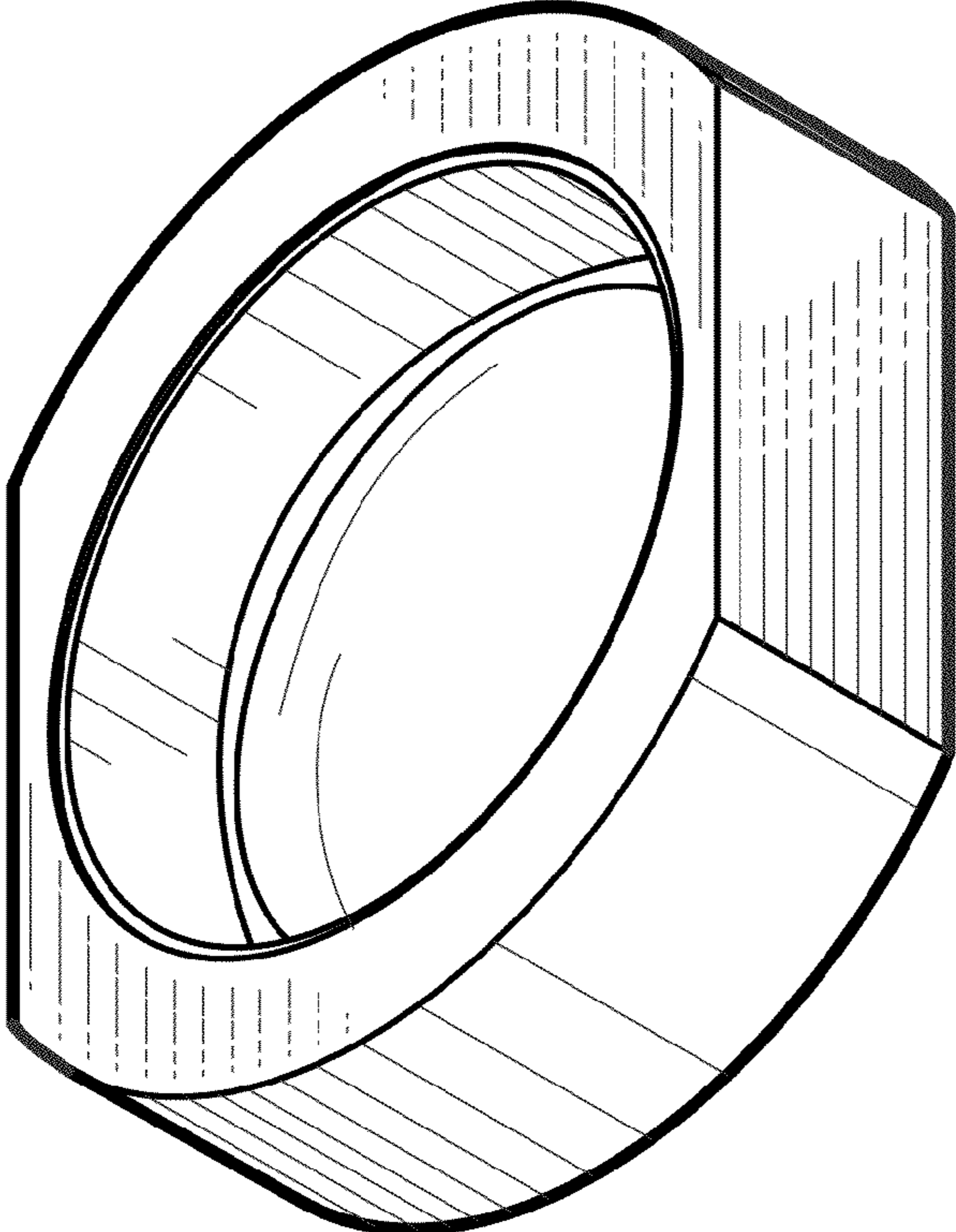


Fig. 2

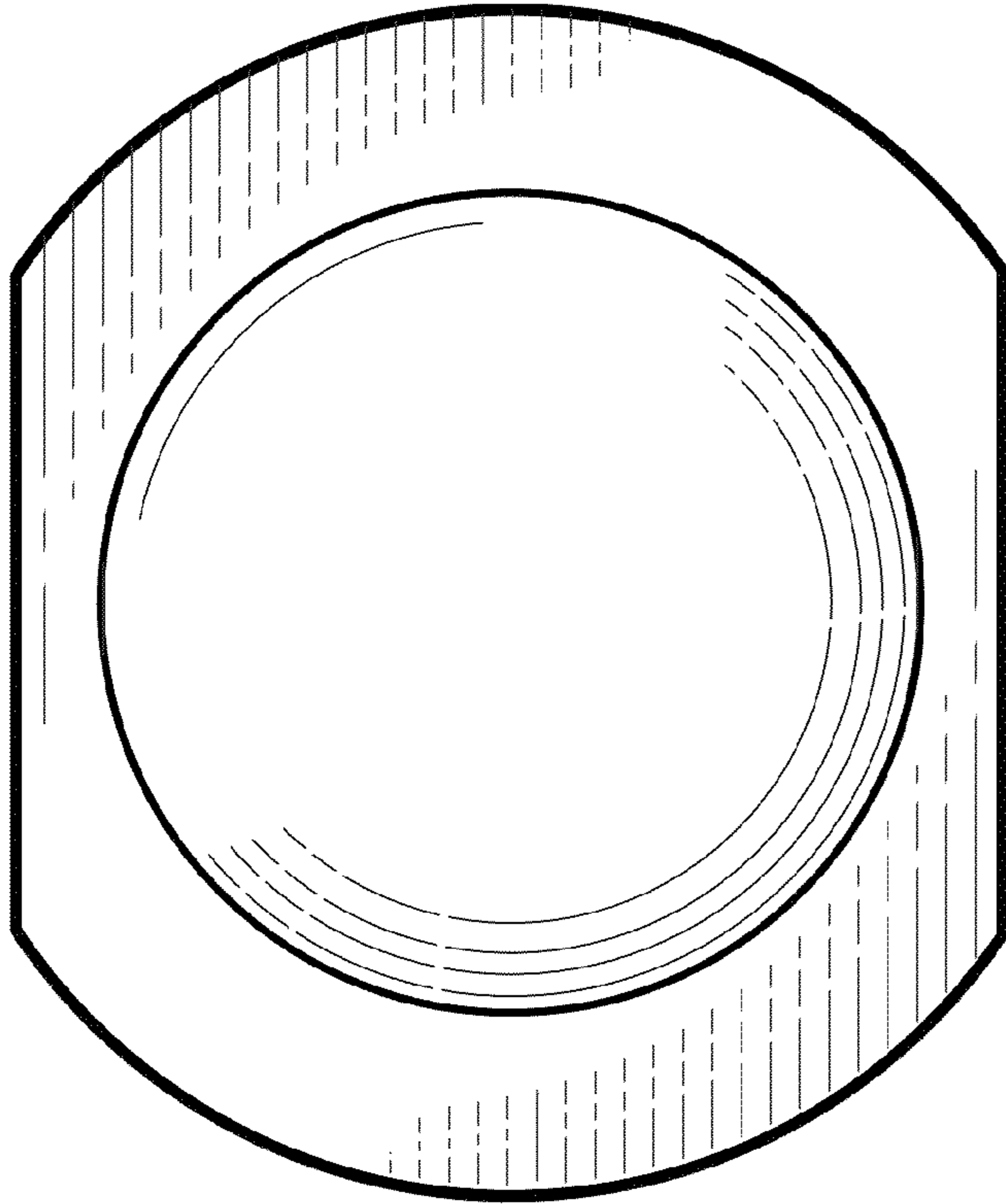


Fig. 3

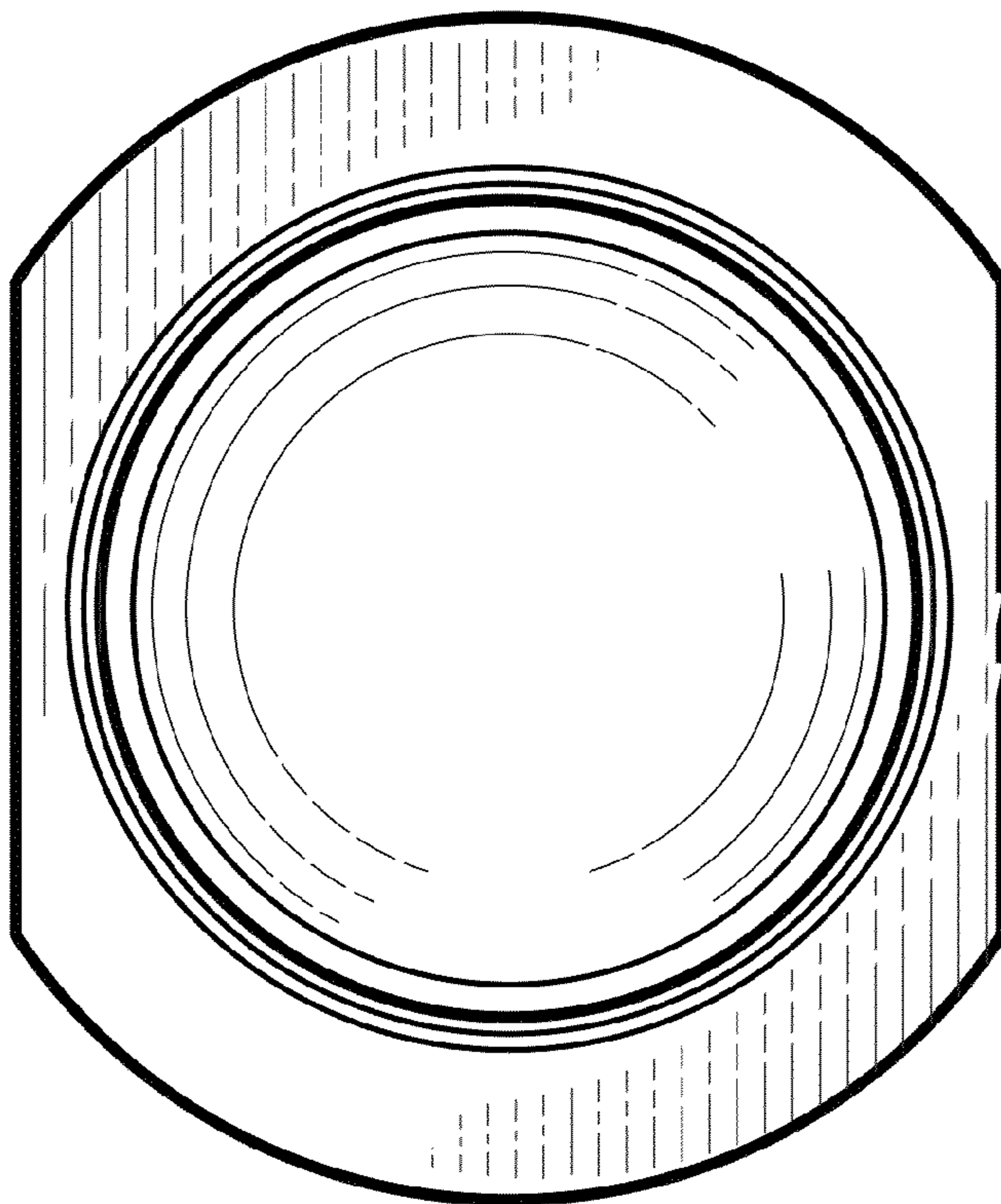


Fig. 4

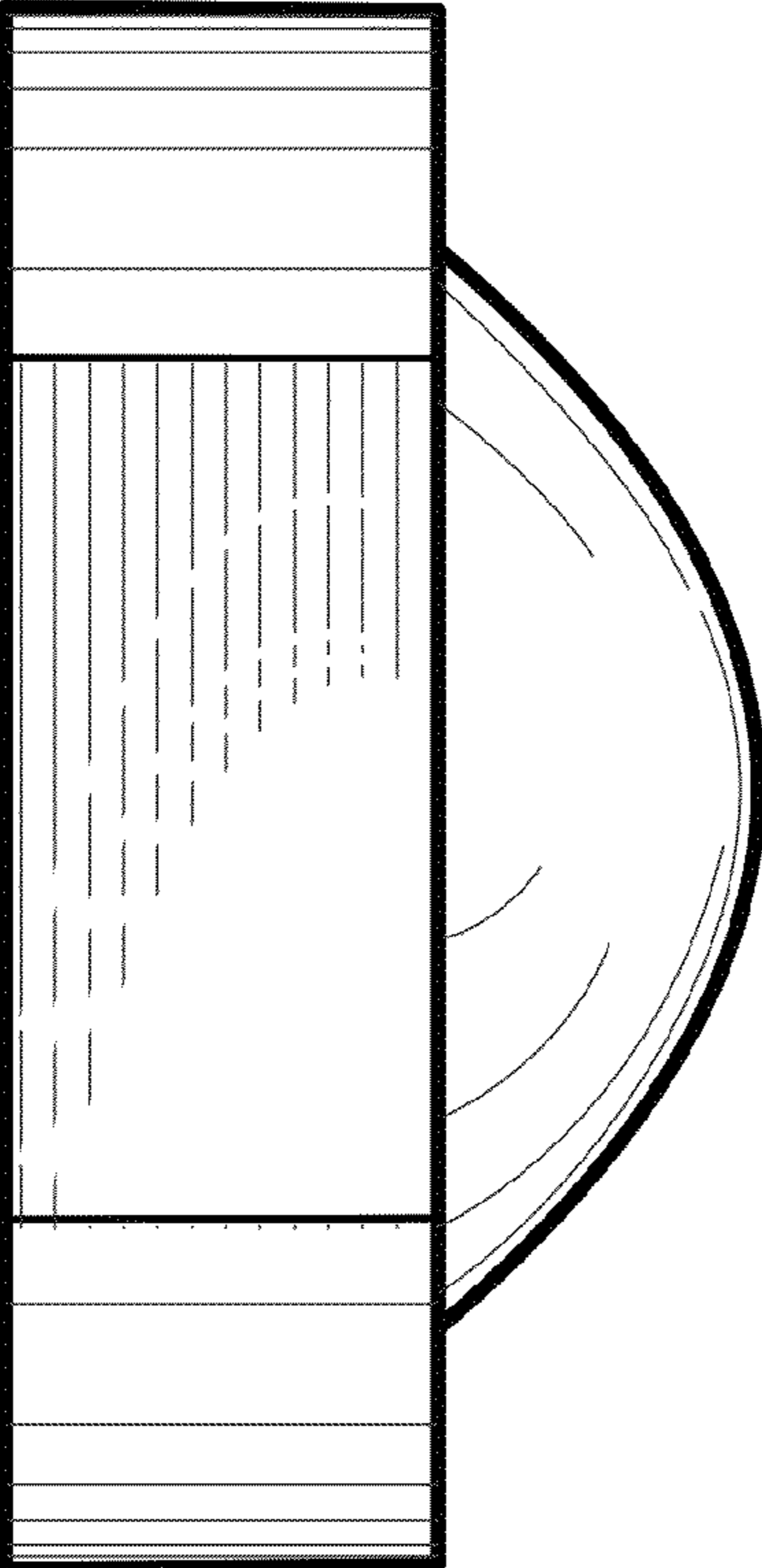


Fig. 5

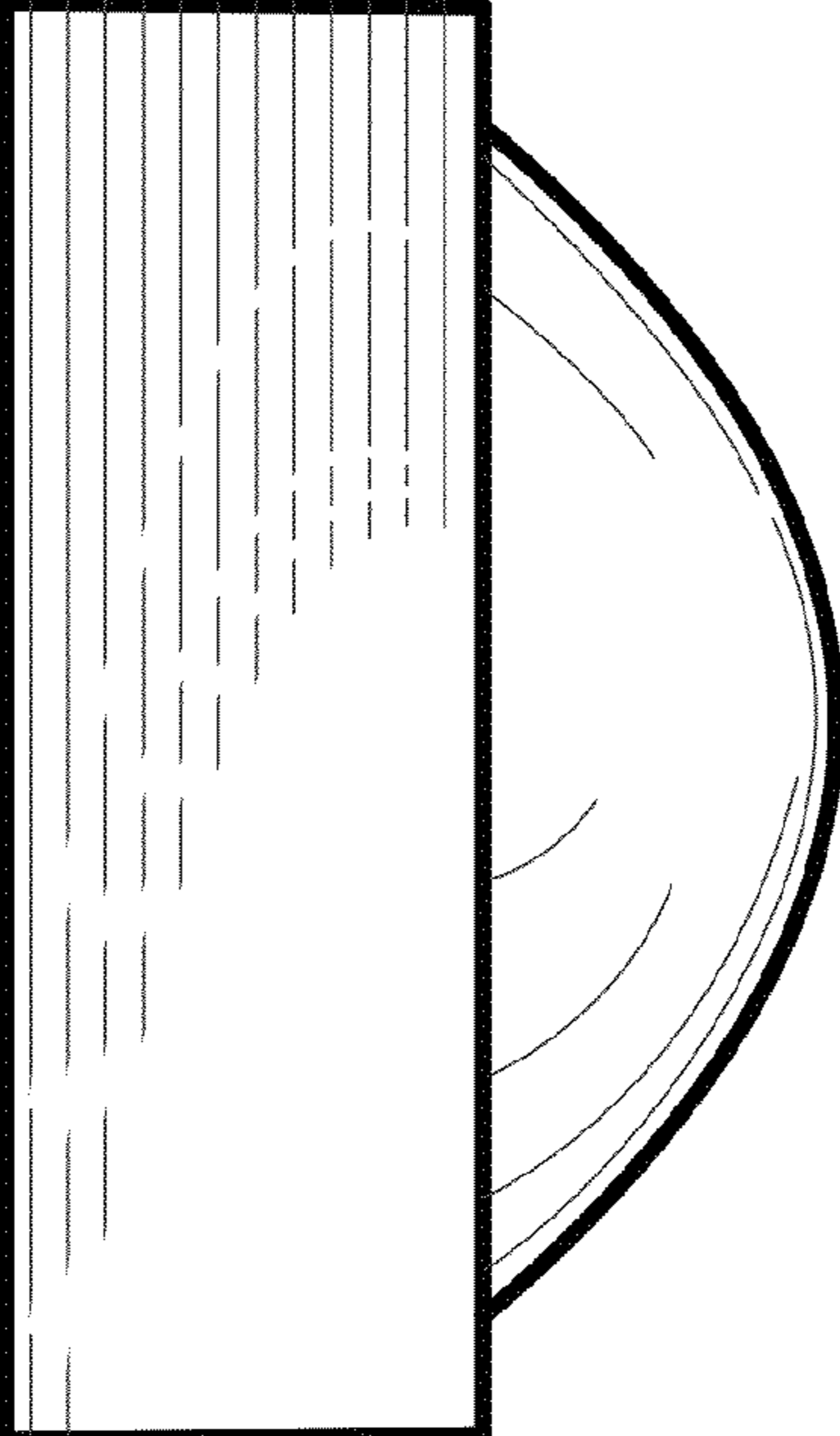


Fig. 6