



US00D727187S

(12) **United States Design Patent**
Sullivan et al.

(10) **Patent No.:** **US D727,187 S**

(45) **Date of Patent:** **** Apr. 21, 2015**

(54) **VACATION TRACKING BAND**

(71) Applicant: **Precise Innovation, LLC**, Leawood, KS
(US)

(72) Inventors: **Brian Sullivan**, Village of Loch Lloyd,
MO (US); **Eric W. Long**, Leawood, KS
(US); **Jason B. Hicks**, Leawood, KS
(US)

(73) Assignee: **Precise Innovation, LLC**, Leawood, KS
(US)

(**) Term: **14 Years**

(21) Appl. No.: **29/483,848**

(22) Filed: **Mar. 4, 2014**

(51) **LOC (10) Cl.** **10-04**

(52) **U.S. Cl.**
USPC **D10/98; D10/70**

(58) **Field of Classification Search**

CPC A63B 24/00; A63B 2220/14; A63B 71/06;
A63B 26/00; A63B 24/0075; A63B
2071/0663; Y10S 482/909; Y10S 482/901;
A41D 1/002; A44C 5/0015; A44C 5/102;
A44C 5/14; A44C 5/02; A61B 19/44; A61B
2019/446
USPC D10/65, 70, 78, 97, 98, 30-32, 38, 39;
2/127, 170; 40/633, 665; 59/80;
63/15.7; 340/407.1, 665, 323 R;
368/41; 434/247, 258; 482/1, 2, 4, 8, 9,
482/44, 148, 901, 74, 909; 600/485, 500,
600/503, 437, 443, 453, 459, 465, 479, 502,
600/595, 481, 483; 702/178, 155, 160, 176,
702/78, 79, 82, 91-95, 104, 116, 141, 150,
702/151, 154, 127, 131, 182, 183, 189;
235/105; 377/5, 24.2, 26; 73/514.33,
73/514.34, 510, 513, 527, 530; 324/522;
345/165, 156, 905; 342/27, 28, 52-58,
342/419, 450, 457, 458; 250/DIG. 1;
D11/3-5

See application file for complete search history.

(56) **References Cited**

U.S. PATENT DOCUMENTS

D315,111	S	*	3/1991	Rogalski	D10/97
D323,787	S	*	2/1992	Moorman	D10/97
D331,020	S	*	11/1992	Ishii et al.	D10/31
D400,112	S	*	10/1998	Rider	D10/70
D455,093	S	*	4/2002	Fitzgerald	D10/98
D536,265	S	*	2/2007	Reynoso	D10/31
D538,687	S	*	3/2007	Komulainen	D10/70
D548,128	S	*	8/2007	Andren et al.	D11/3
D549,602	S	*	8/2007	Oberrieder et al.	D10/65

(Continued)

Primary Examiner — Antoine D Davis

(74) *Attorney, Agent, or Firm* — Shook, Hardy & Bacon
L.L.P.

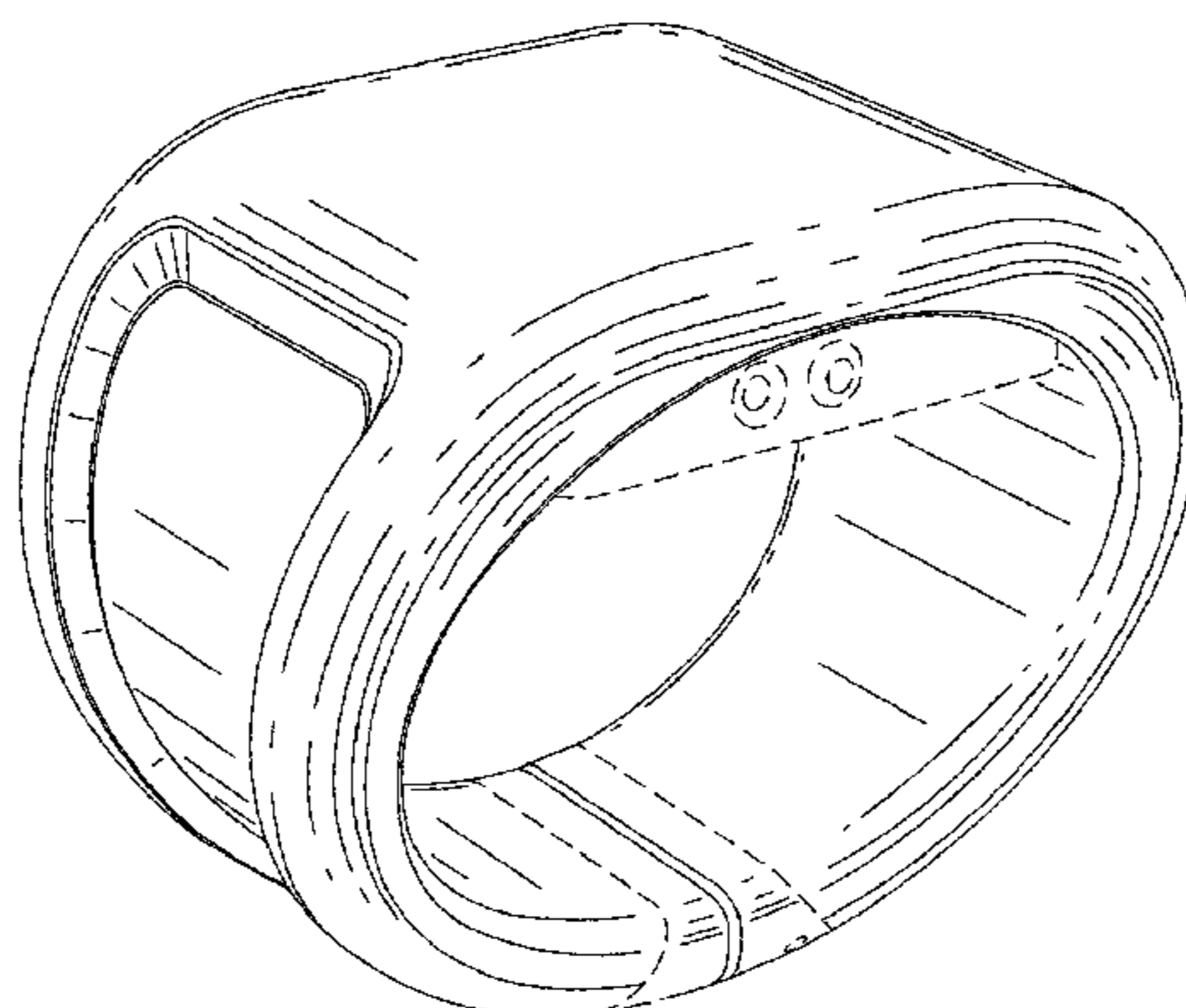
(57) **CLAIM**

The ornamental design for a vacation tracking band, as shown
and described.

DESCRIPTION

FIG. 1 is a perspective view of a vacation tracking band of the
present invention;
FIG. 2 is a top plan view thereof;
FIG. 3 is a bottom plan view thereof;
FIG. 4 is a front elevation view thereof;
FIG. 5 is a left side elevation view thereof;
FIG. 6 is a right side elevation view thereof; and,
FIG. 7 is a back elevation view thereof.
The evenly spaced broken lines shown in the drawings are
directed toward environment, are for informational purposes
only, and form no part of the claimed design.
The surface shading lines on the claimed portion are provided
only to indicate the character and/or any contour or curvature
of the surfaces. They do not indicate color, texture, markings
that actually exist thereon, indicia, graphic representations,
surface treatment, or any other ornamentation applied to the
article.

1 Claim, 3 Drawing Sheets



(56)

References Cited

U.S. PATENT DOCUMENTS

D550,105 S *	9/2007	Oberrieder et al.	D10/65	D664,880 S *	8/2012	Cobbett et al.	D11/3
D550,112 S *	9/2007	Andren et al.	D11/3	D664,881 S *	8/2012	Cobbett et al.	D11/3
D564,367 S *	3/2008	Molyneux	D10/31	D664,882 S *	8/2012	Cobbett et al.	D11/3
D567,227 S *	4/2008	Hada	D14/218	D669,382 S *	10/2012	Alvarez et al.	D11/3
D567,676 S *	4/2008	Tang	D10/32	D669,383 S *	10/2012	Cobbett et al.	D11/3
D569,282 S *	5/2008	Daniel	D10/65	D669,384 S *	10/2012	Alvarez et al.	D11/3
D581,826 S *	12/2008	Molyneux	D11/2	D670,583 S *	11/2012	Shaanan	D10/70
D586,674 S *	2/2009	Solarewicz	D10/70	D671,858 S *	12/2012	Cobbett et al.	D11/3
D602,386 S *	10/2009	Ueda et al.	D10/98	D672,667 S *	12/2012	Mix	D10/65
D610,476 S *	2/2010	Daniel	D10/70	D677,190 S *	3/2013	Cobbett et al.	D11/3
D637,506 S *	5/2011	Toyoshima et al.	D10/70	D680,020 S *	4/2013	Cobbett et al.	D11/3
				D684,082 S *	6/2013	Alvarez et al.	D11/3
				D684,497 S *	6/2013	Cobbett et al.	D11/3
				D693,251 S *	11/2013	Anderssen et al.	D10/65

* cited by examiner

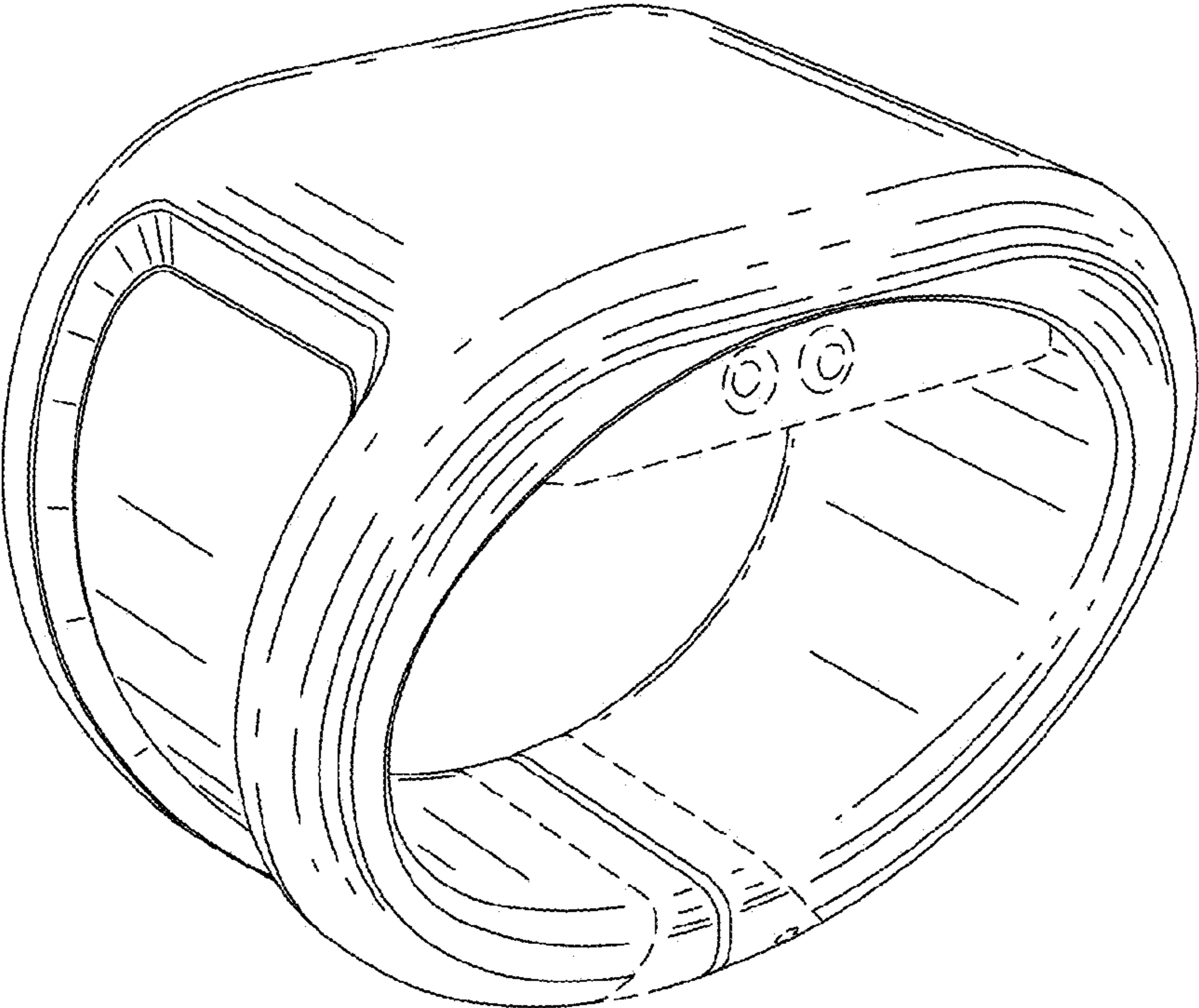


FIG. 1.

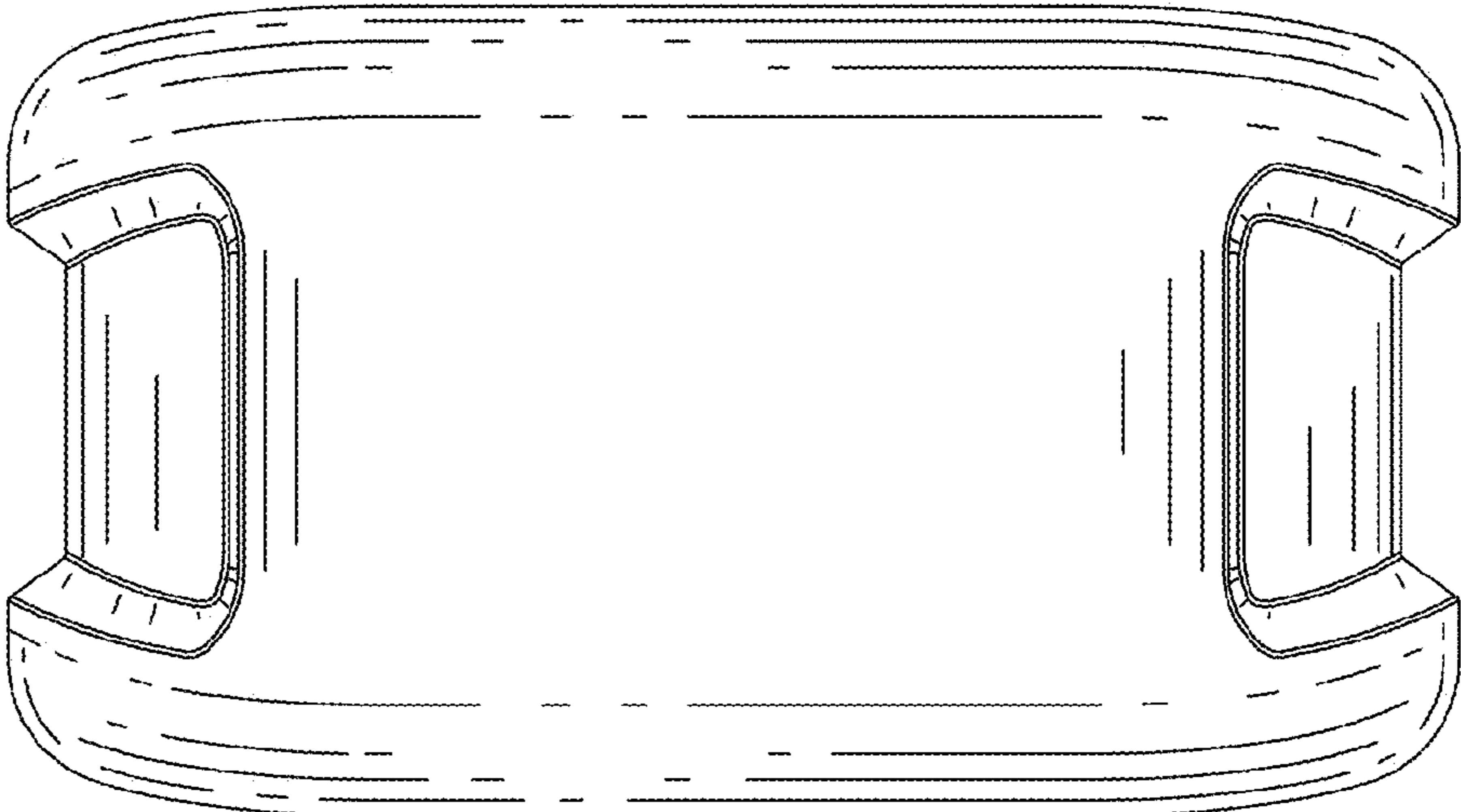


FIG. 2.

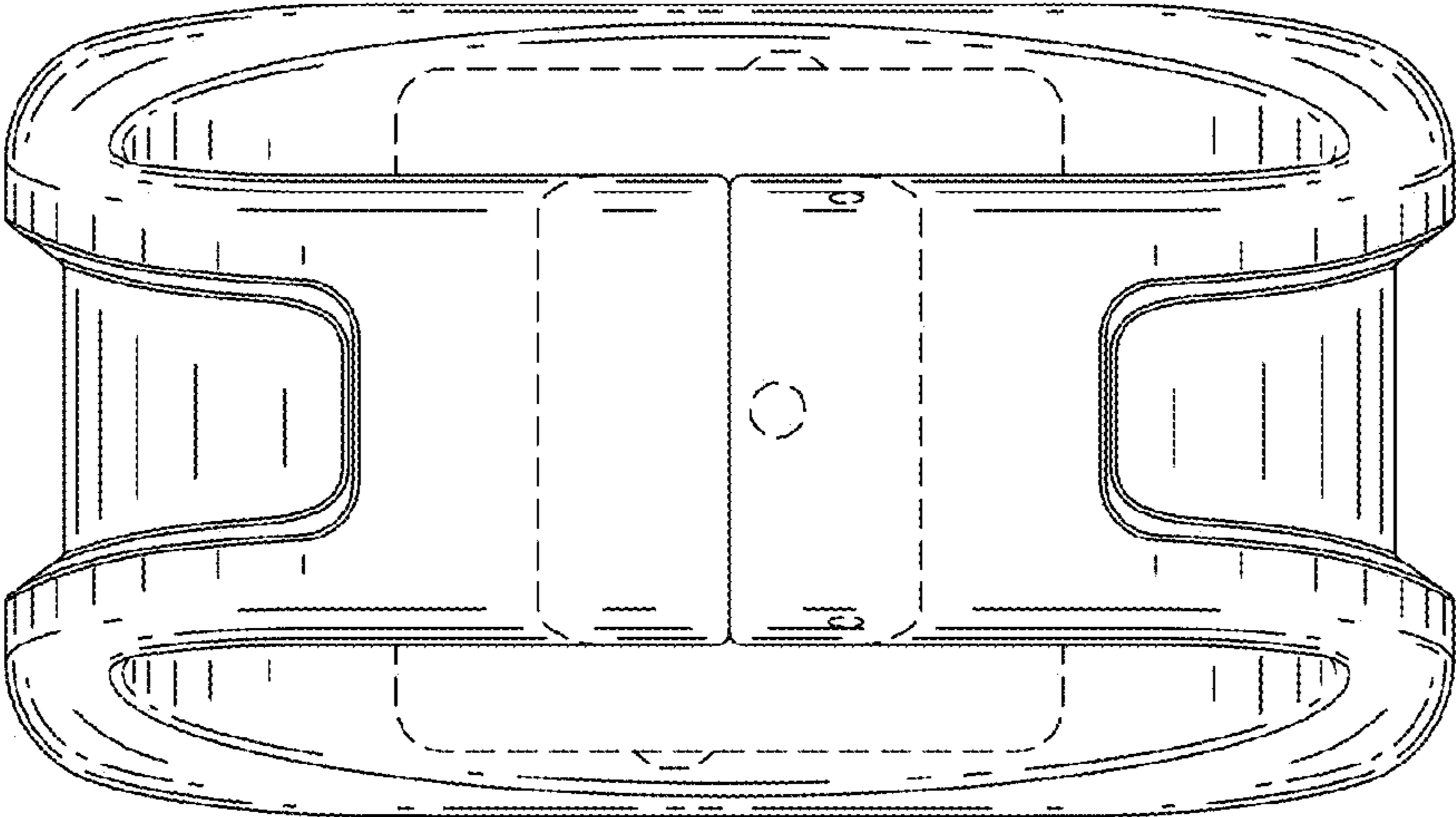


FIG. 3.

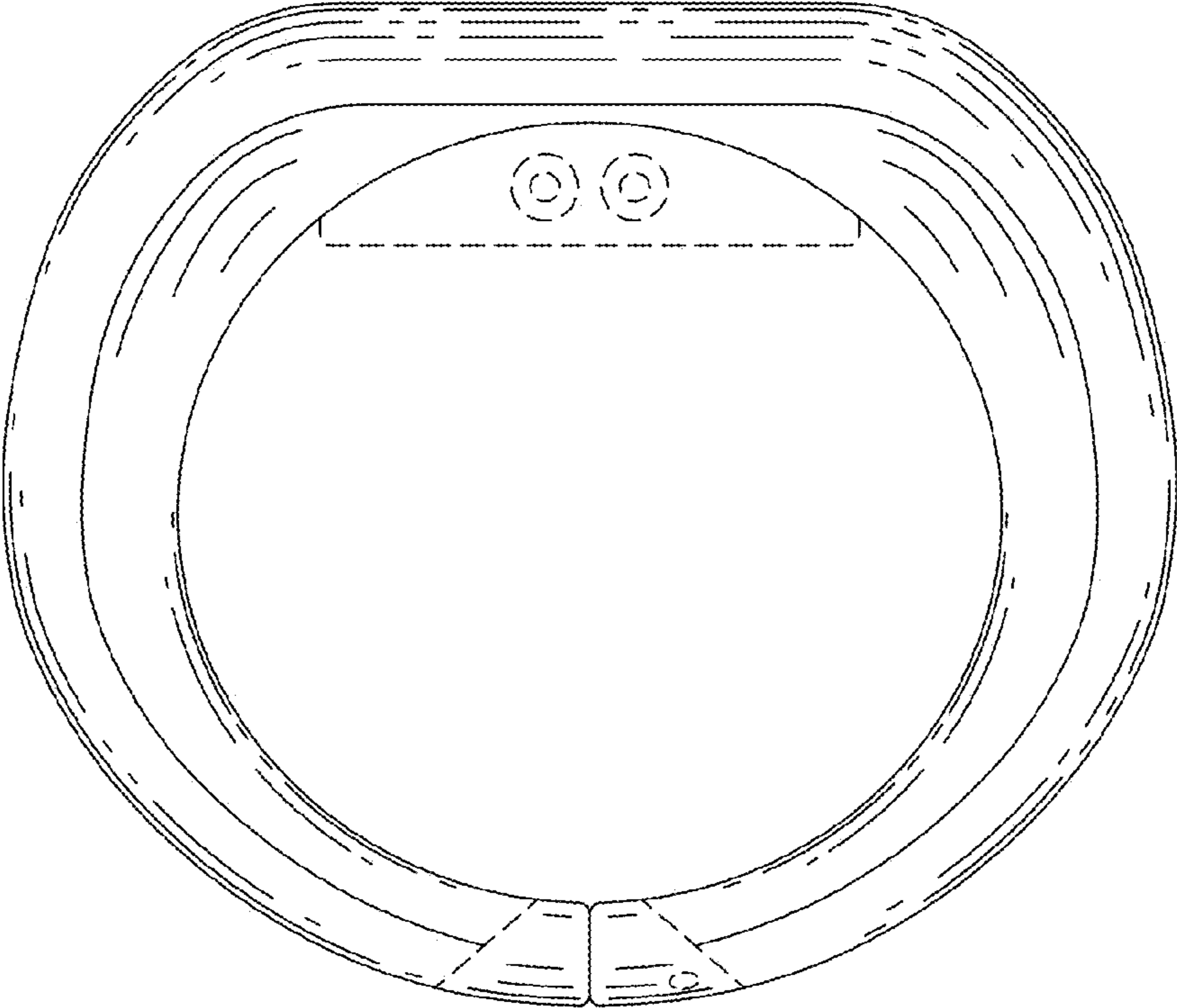


FIG. 4.

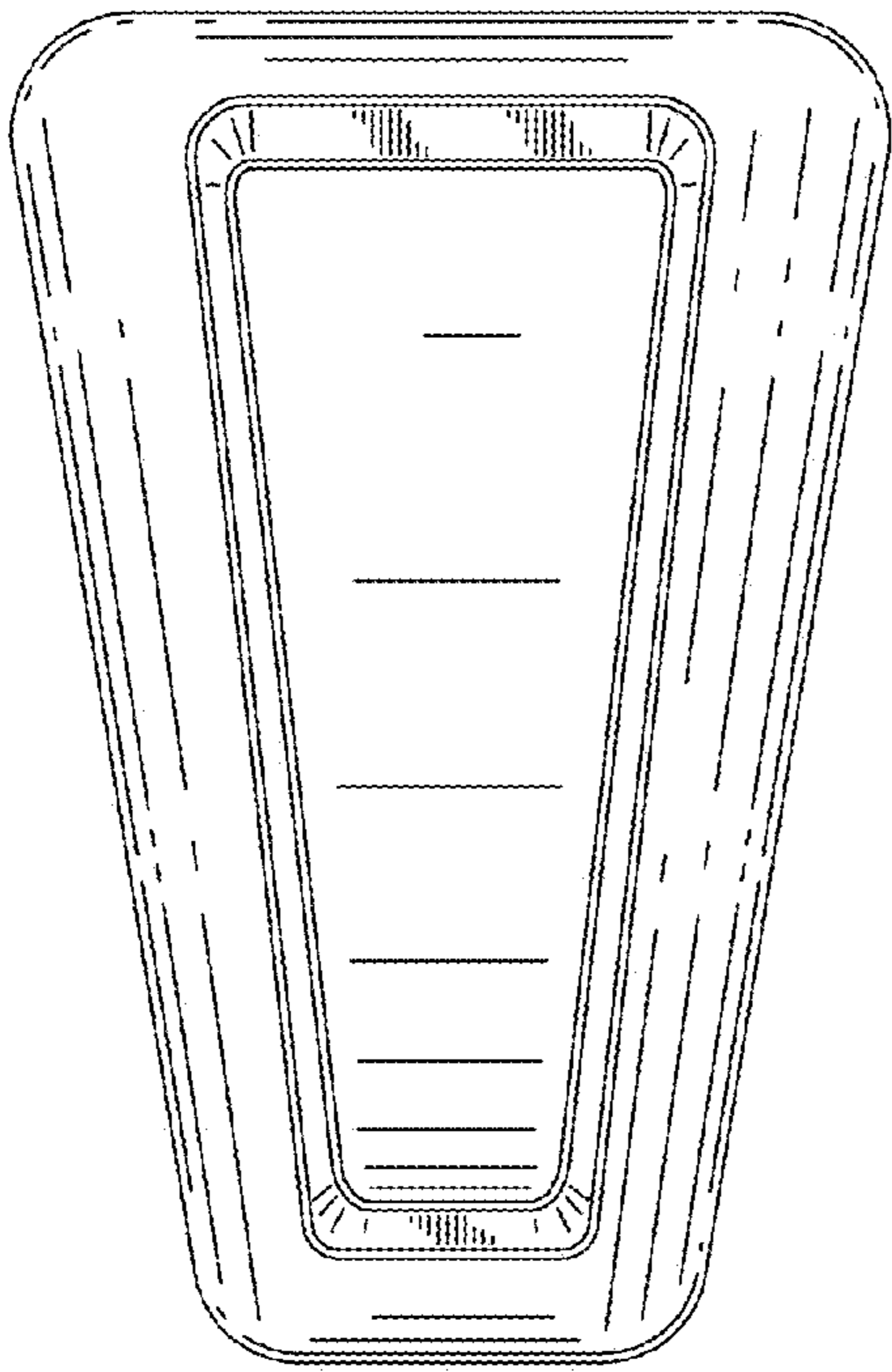


FIG. 5.

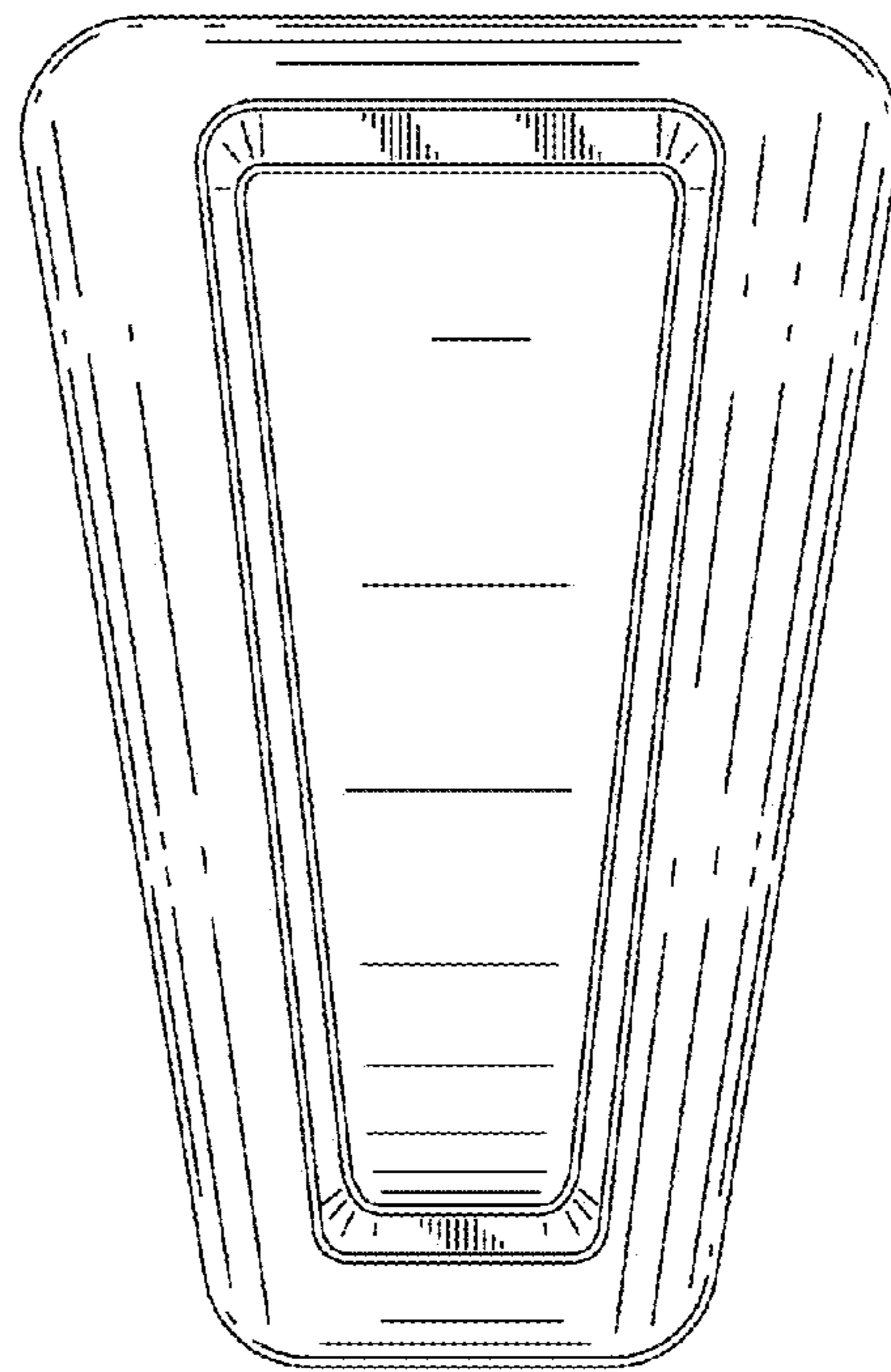


FIG. 6.

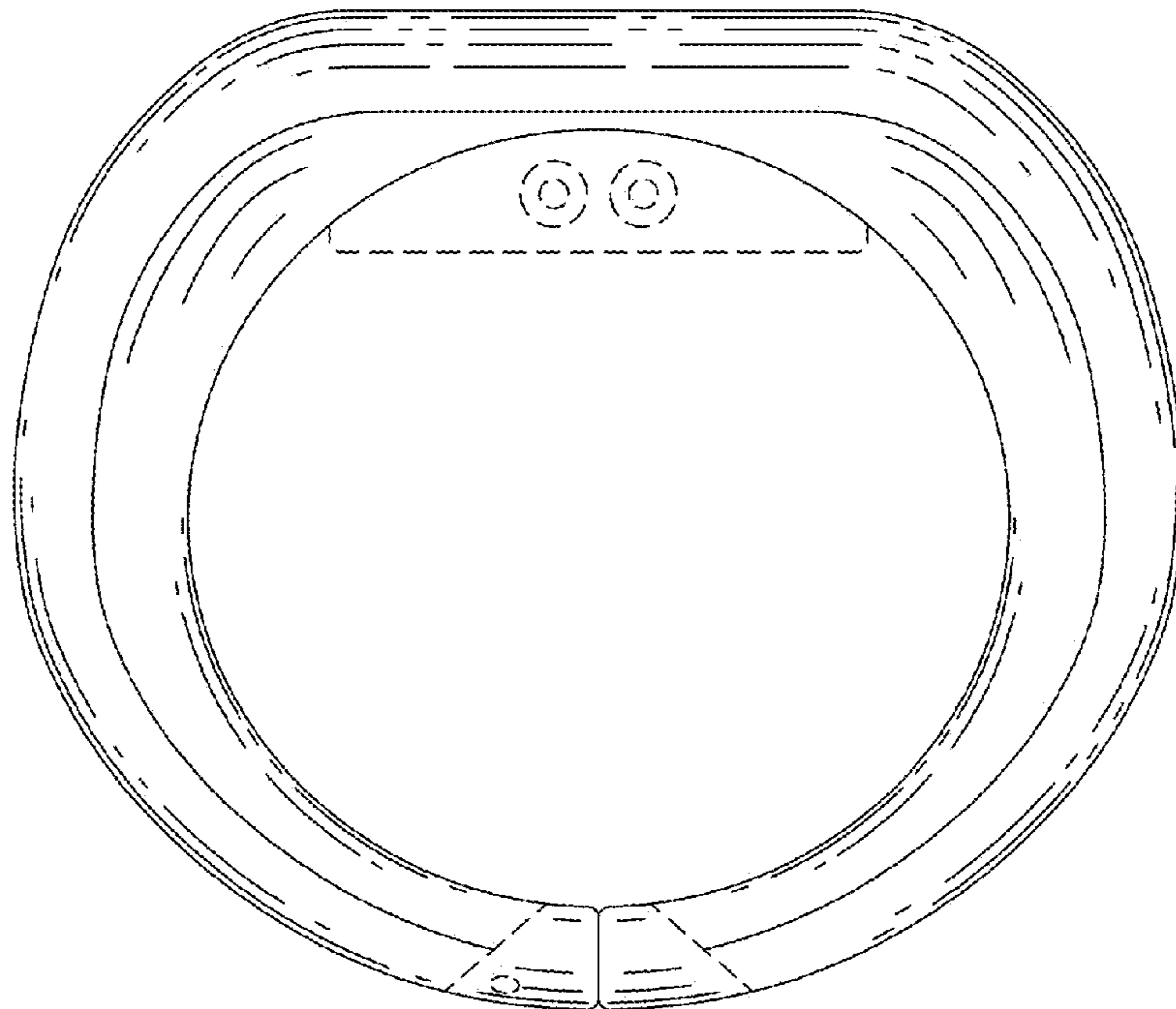


FIG. 7.