



US00D727186S

(12) **United States Design Patent**  
**Shamir et al.**

(10) **Patent No.:** **US D727,186 S**  
(45) **Date of Patent:** **\*\* Apr. 21, 2015**

(54) **SENSOR HOUSING AND OPENING TOOL THEREOF**

(71) Applicant: **Panoramic Power Ltd.**, Kfar Saba (IL)

(72) Inventors: **Adi Shamir**, Kidron (IL); **Dan Wijsboom**, Ganei Tikva (IL); **Yael Alali**, Tel Aviv (IL)

(73) Assignee: **Panoramic Power Ltd.**, Kfar Saba (IL)

(\*\*) Term: **14 Years**

(21) Appl. No.: **29/464,874**

(22) Filed: **Aug. 21, 2013**

(51) **LOC (10) Cl.** ..... **10-04**

(52) **U.S. Cl.**  
USPC ..... **D10/79**

(58) **Field of Classification Search**  
USPC ..... D10/79; 324/117 H, 117 R  
See application file for complete search history.

(56) **References Cited**

**U.S. PATENT DOCUMENTS**

D309,893 S	8/1990	Endo et al.
D311,381 S	10/1990	Endo et al.
D489,278 S	5/2004	Rittmann
D496,872 S	10/2004	Edmond
D511,112 S	11/2005	Takada
7,253,602 B2	8/2007	Shvach et al.

7,453,267 B2	11/2008	Westbrock, Jr. et al.
D600,576 S	9/2009	Marcoz
D607,763 S	1/2010	Morel
D656,850 S	4/2012	Marcoz
8,212,549 B2 *	7/2012	McNulty et al. .... 324/141
2007/0136010 A1	6/2007	Gunn et al.

\* cited by examiner

*Primary Examiner* — Antoine D Davis

(74) *Attorney, Agent, or Firm* — Blakely Sokoloff Taylor & Zafman LLP

(57) **CLAIM**

We claim the ornamental design for a sensor housing and opening tool thereof, as shown and described.

**DESCRIPTION**

FIG. 1 is a right side isometric elevation front view of an embodiment of a sensor housing assembly showing our new design.

FIG. 2 is a bottom isometric view thereof.

FIG. 3 is a top elevation view thereof.

FIG. 4 is a bottom elevation view thereof.

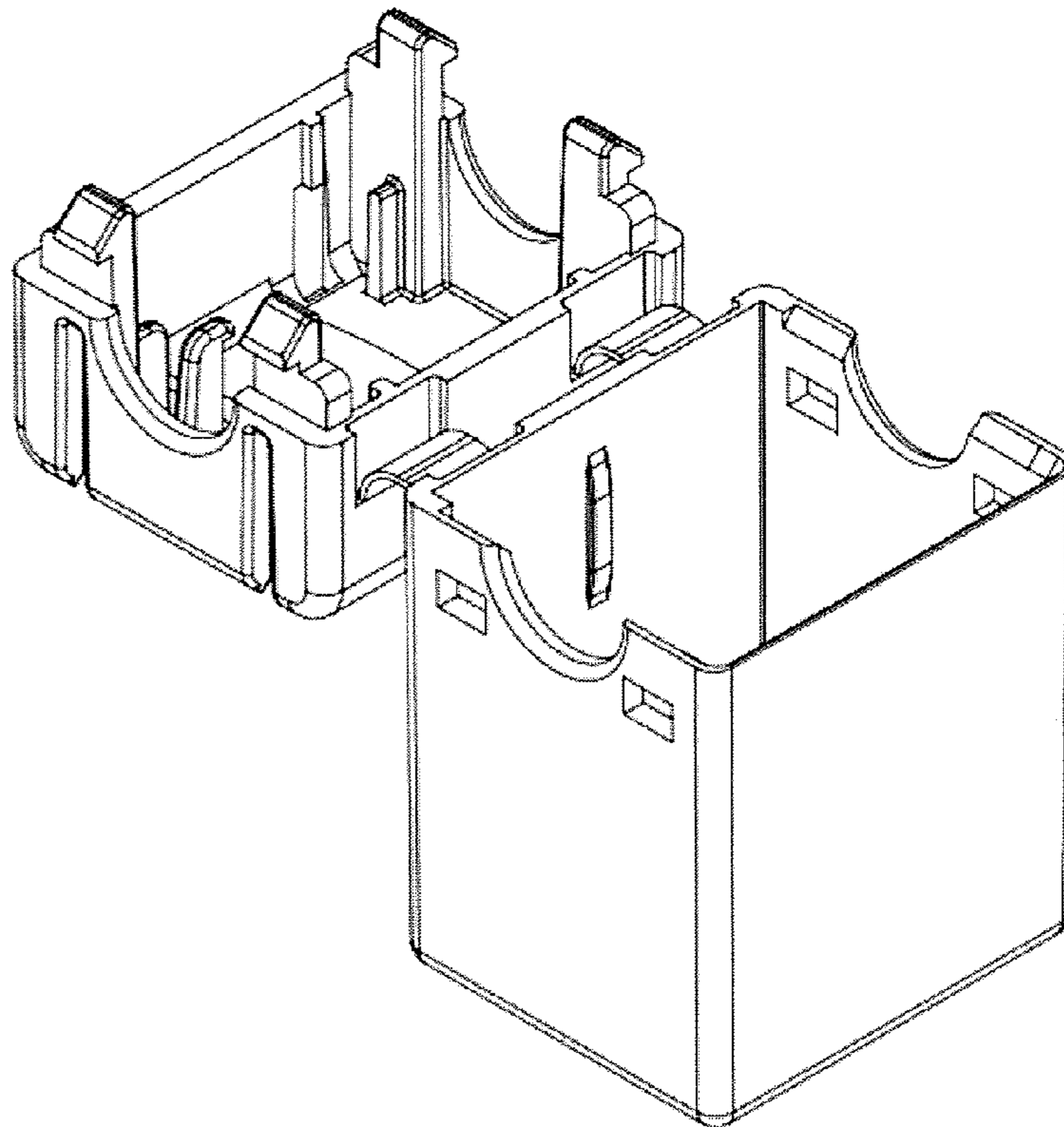
FIG. 5 is a right side elevation view thereof.

FIG. 6 is a left side elevation view thereof.

FIG. 7 is a rear elevation view thereof; and,

FIG. 8 is a front elevation view thereof.

**1 Claim, 5 Drawing Sheets**



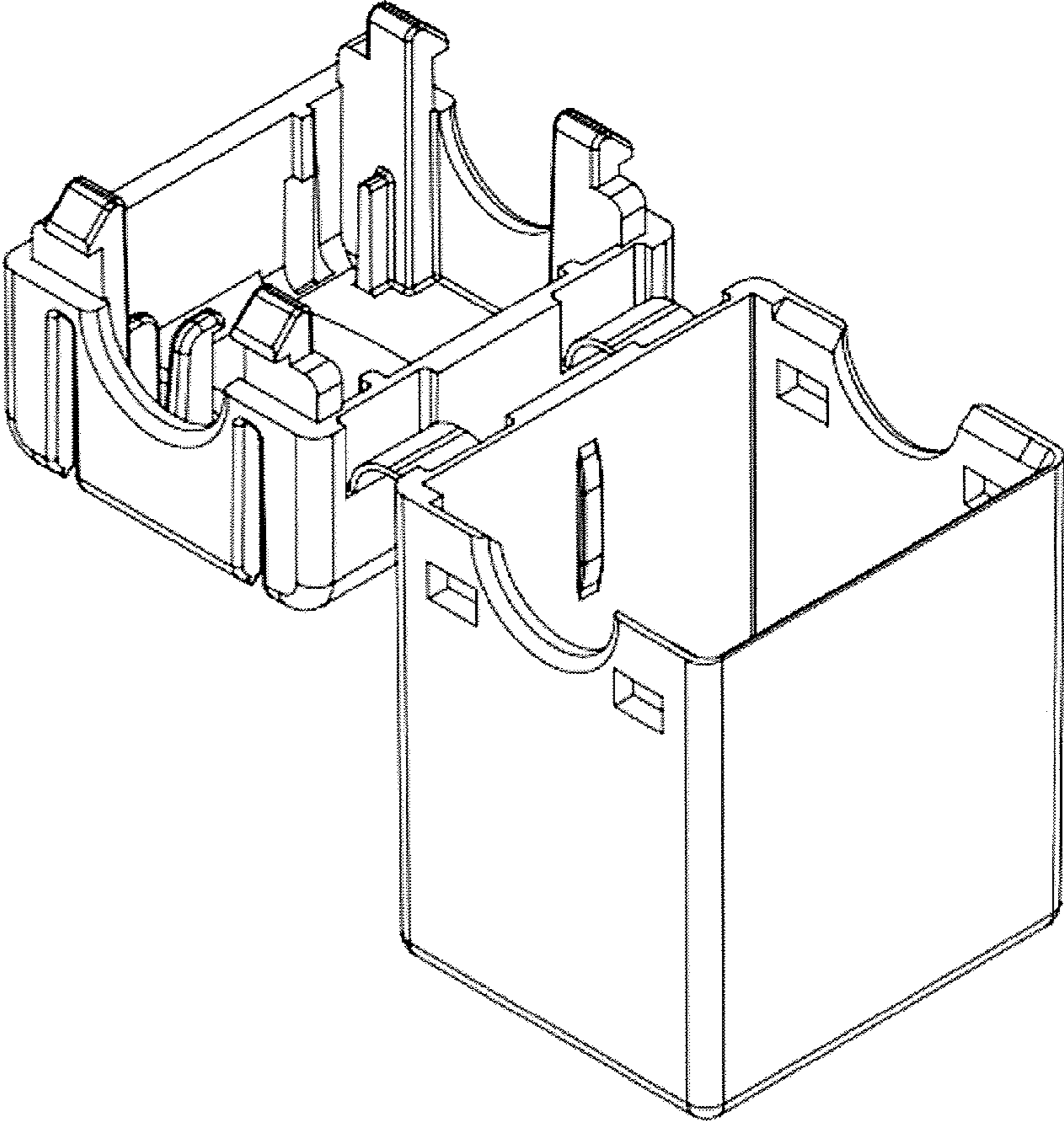


FIGURE 1

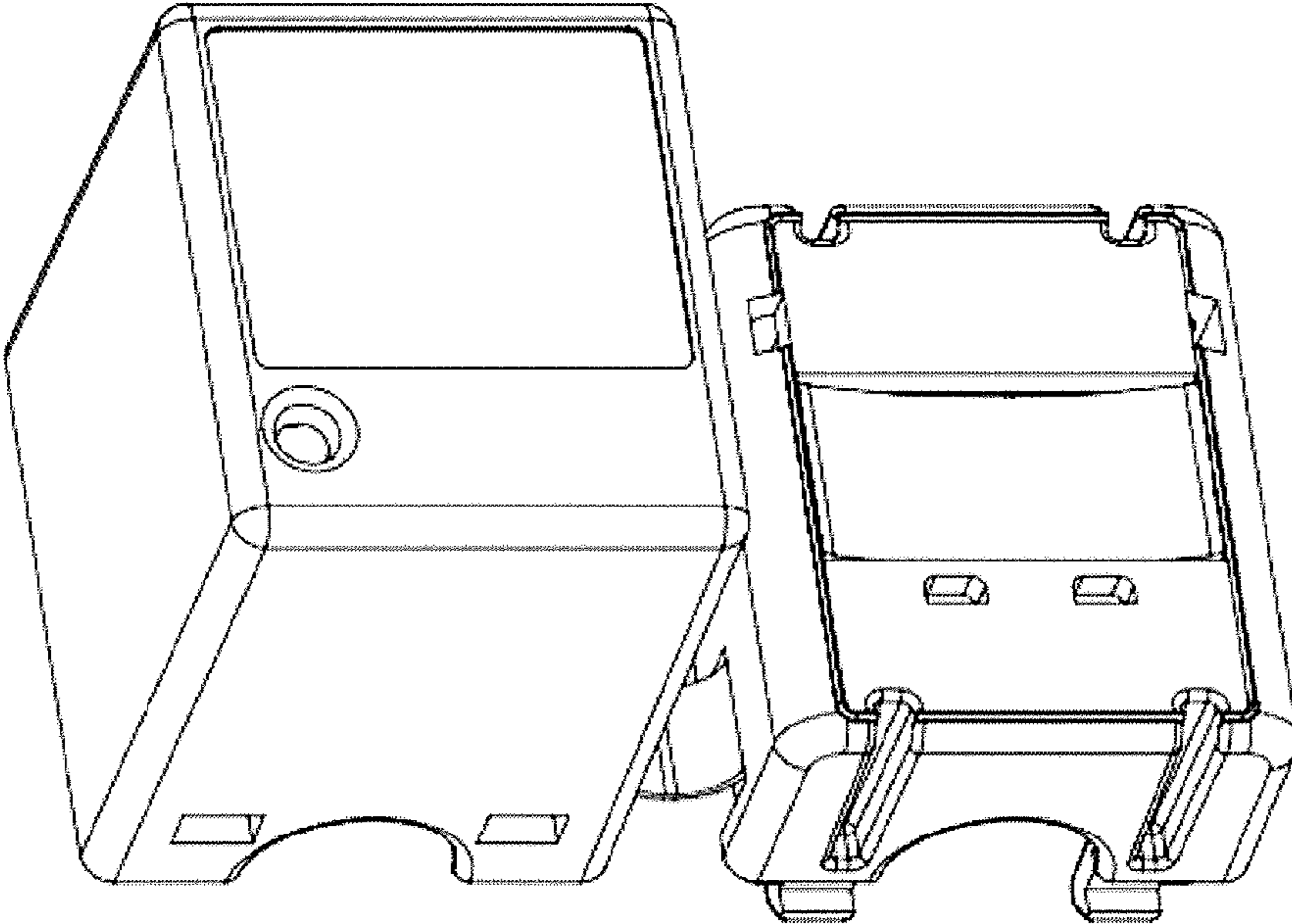


FIGURE 2

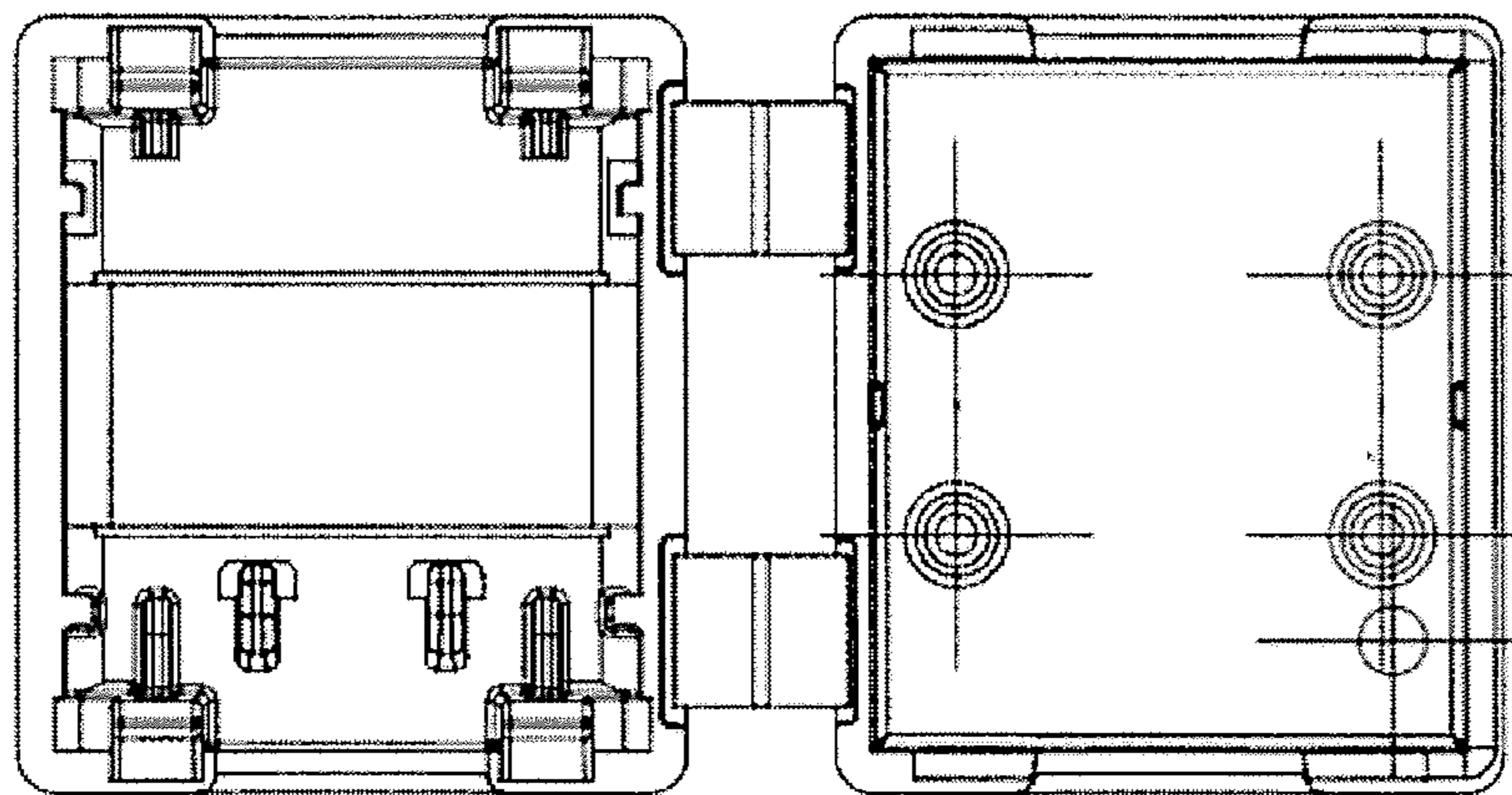


FIGURE 3

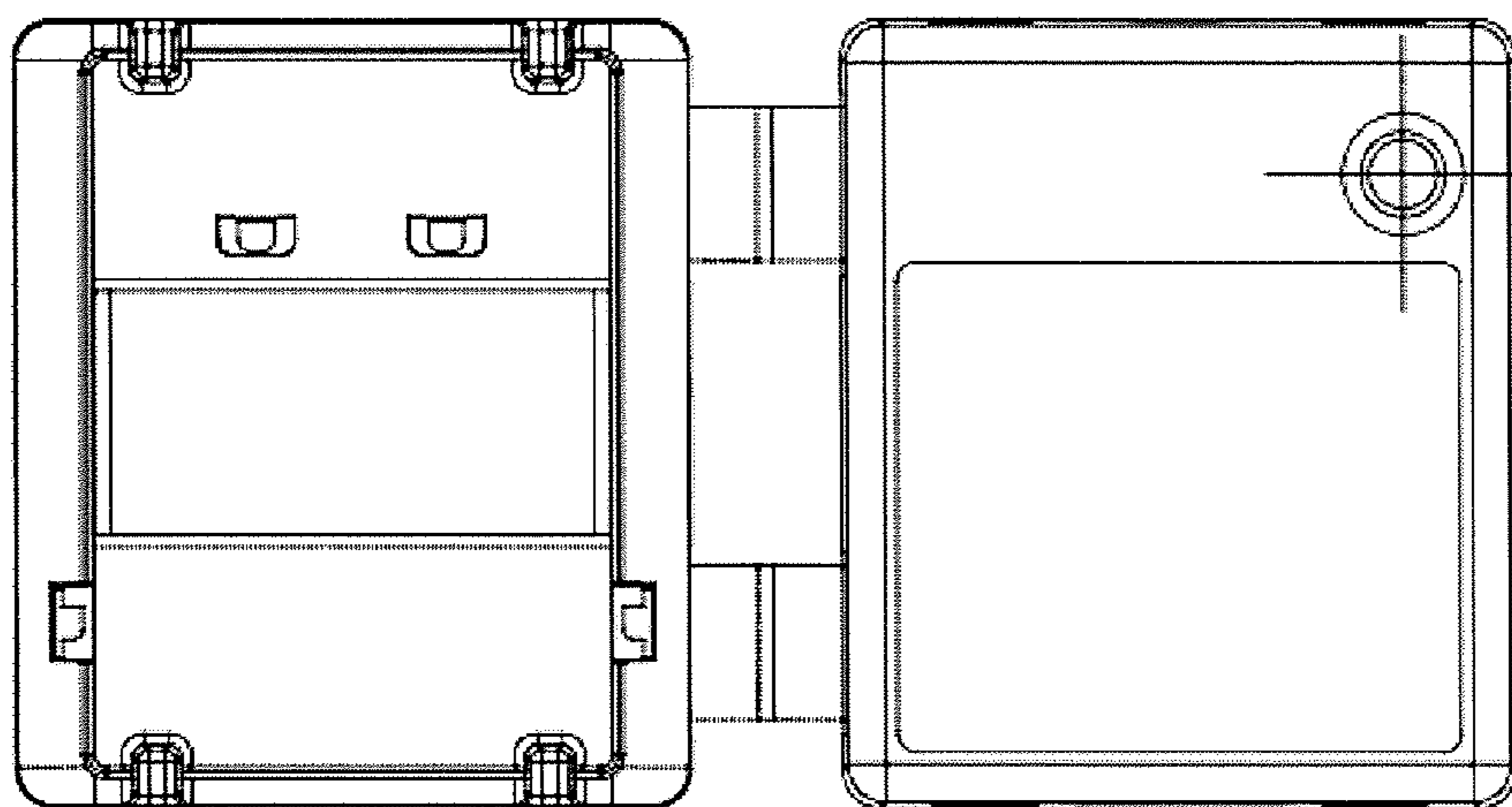


FIGURE 4

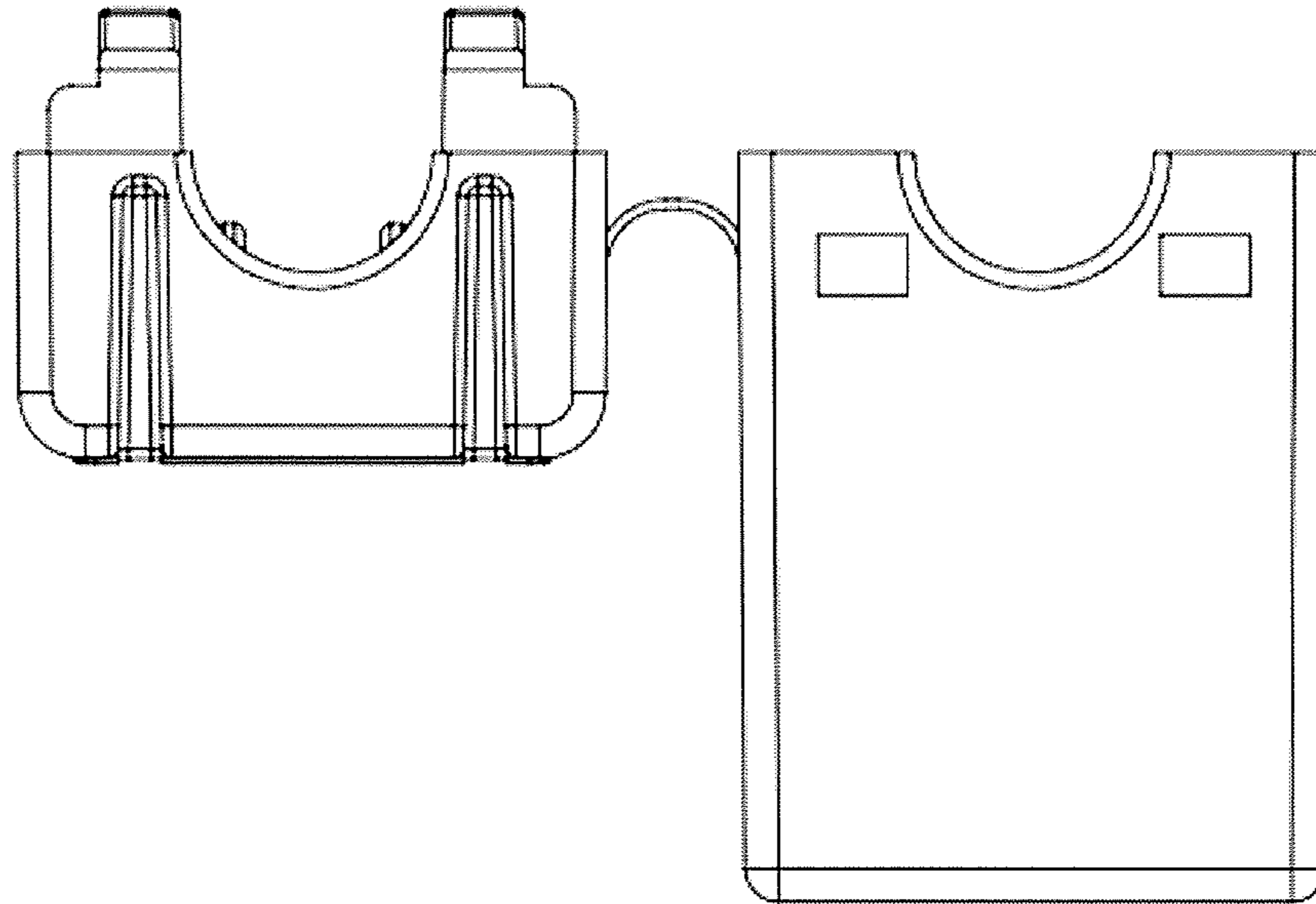


FIGURE 5

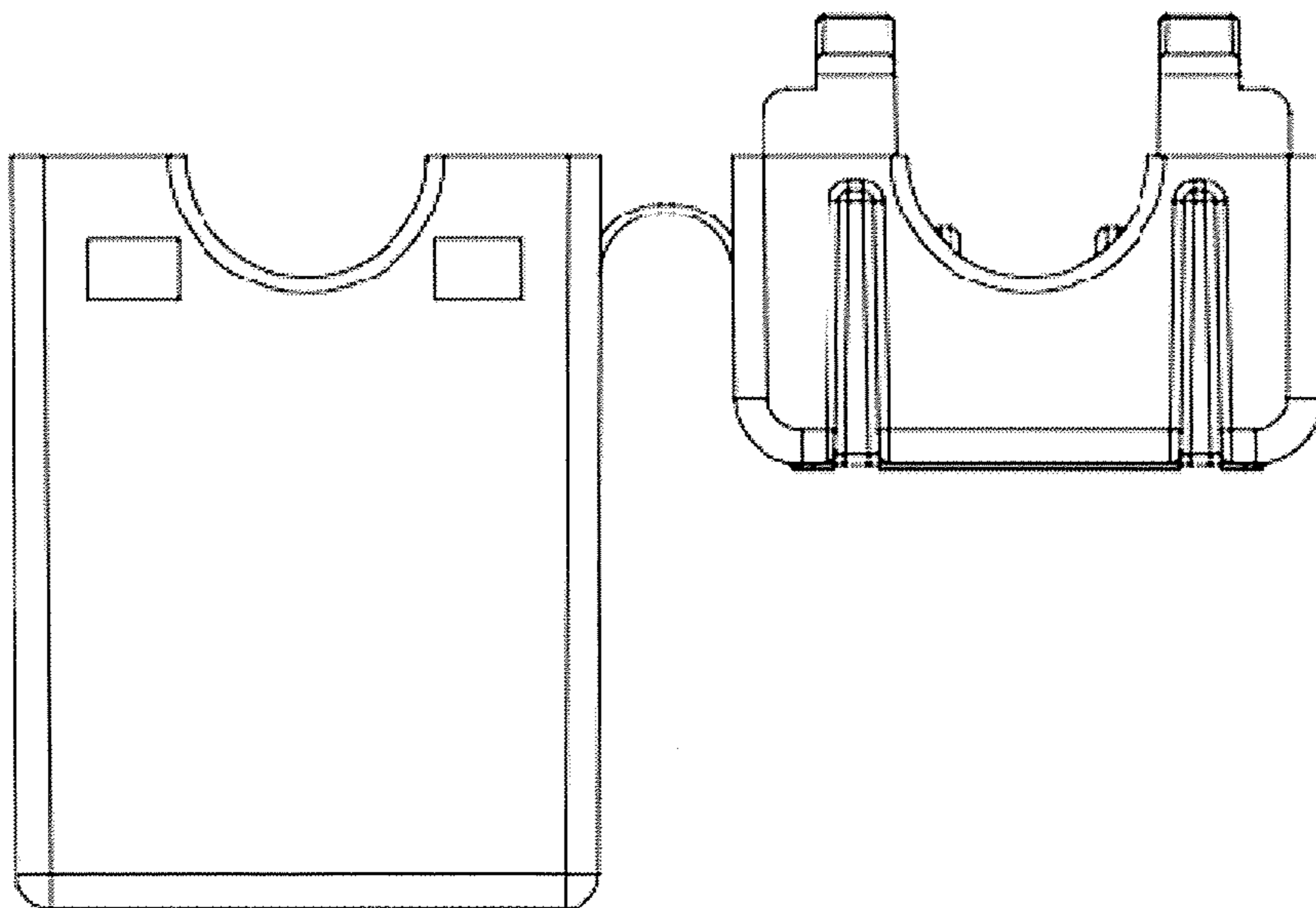
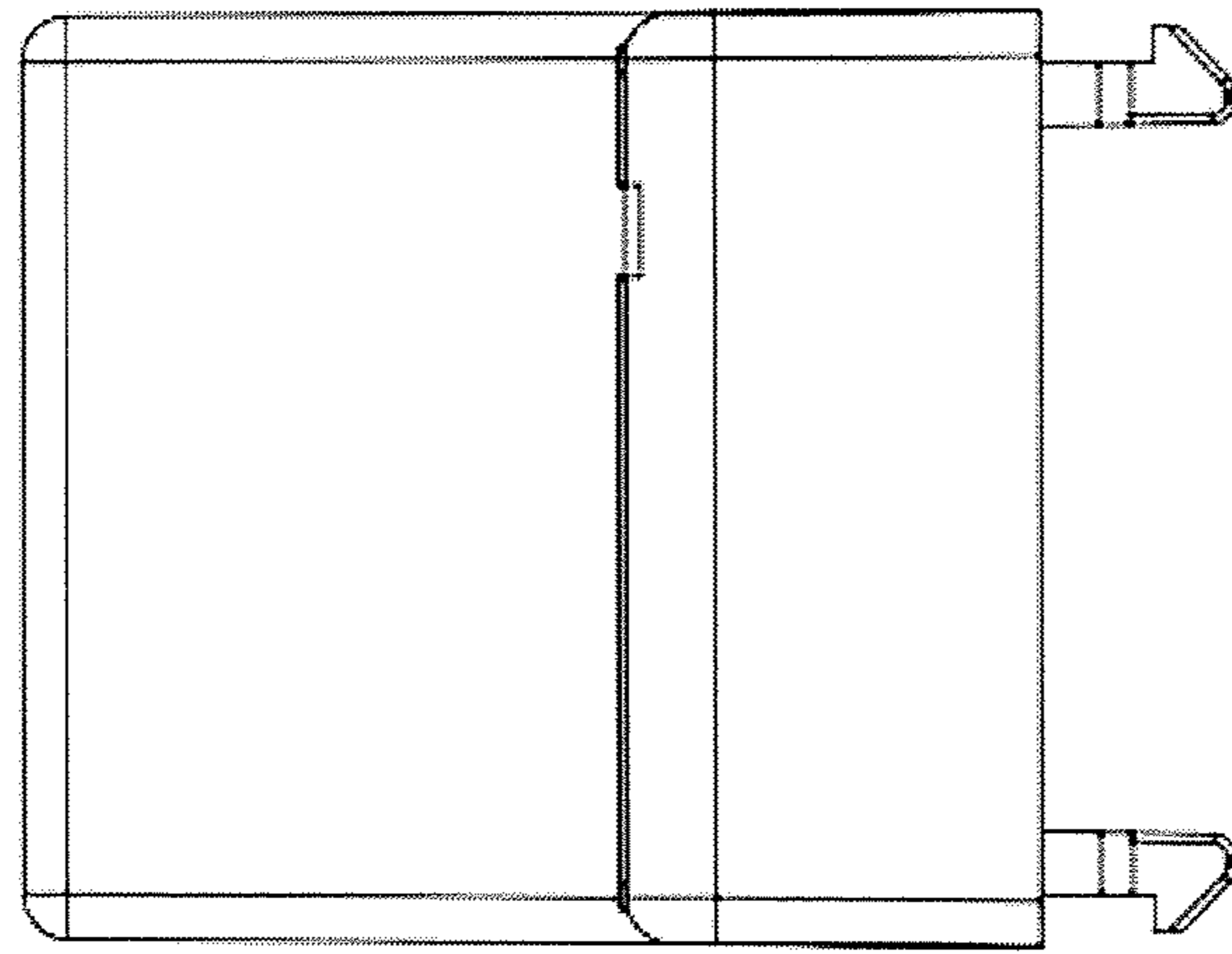
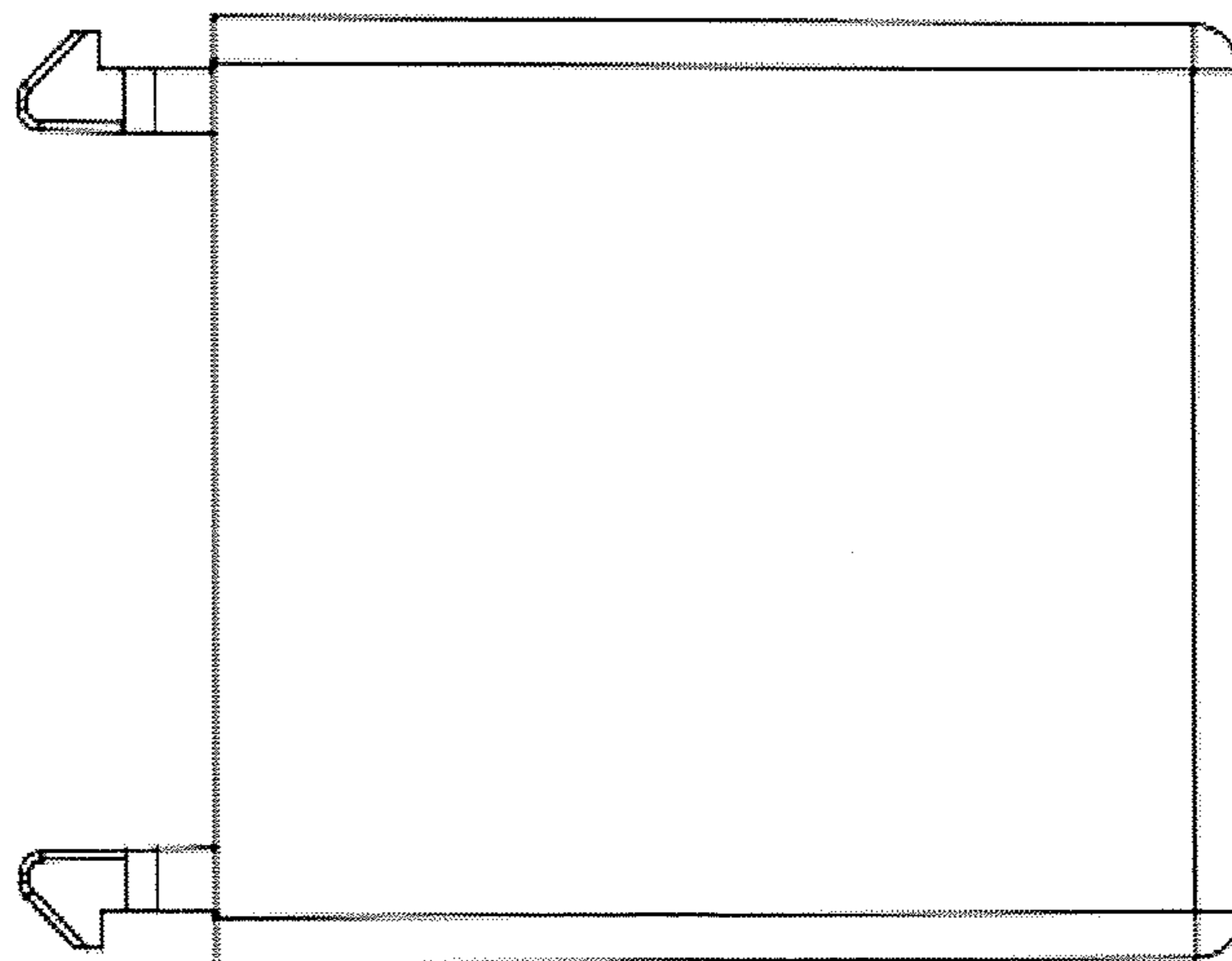


FIGURE 6



**FIGURE 7**



**FIGURE 8**