

US00D727185S

(12) **United States Design Patent**
Aromin

(10) **Patent No.:** **US D727,185 S**

(45) **Date of Patent:** **** Apr. 21, 2015**

(54) **TOP BUTTON LEAKAGE CURRENT
DETECTION AND INTERRUPTION (LCDI)
DEVICE**

(71) Applicant: **Victor V. Aromin**, West Warwick, RI
(US)

(72) Inventor: **Victor V. Aromin**, West Warwick, RI
(US)

(73) Assignee: **Tower Mfg. Corp.**, Providence, RI (US)

(**) Term: **14 Years**

(21) Appl. No.: **29/463,529**

(22) Filed: **Dec. 20, 2013**

(51) **LOC (10) Cl.** **10-04**

(52) **U.S. Cl.**
USPC **D10/78; D13/160**

(58) **Field of Classification Search**
CPC H01R 11/11; H01R 13/02–13/35;
H01R 13/6683; H01R 13/6691; H01R
13/7135; H01R 13/7137; H01H 47/04; H01H
83/04; H02H 3/33; H02H 3/331; H02H 3/335
USPC D10/75, 78; D13/138.1, 138.2, 160
See application file for complete search history.

(56) **References Cited**

U.S. PATENT DOCUMENTS

D363,680 S * 10/1995 Shan D10/75
D364,826 S * 12/1995 Wu D10/75
D396,013 S * 7/1998 Luebke D10/78
D511,468 S * 11/2005 Aromin D13/138.1

D511,469 S * 11/2005 Aromin D13/138.1
D542,680 S * 5/2007 Fugman D10/75
D584,690 S * 1/2009 Hsiung D13/138.1
7,672,098 B2 * 3/2010 Zhang et al. 361/42
D628,916 S * 12/2010 Tian D10/78
D633,869 S * 3/2011 Aromin et al. D13/138.1
D635,937 S * 4/2011 Aromin et al. D13/160
D646,598 S * 10/2011 Tian D10/78
8,414,747 B2 * 4/2013 Qi et al. 204/192.23
8,824,110 B2 * 9/2014 Zou 361/42

* cited by examiner

Primary Examiner — Antoine D Davis

(57) **CLAIM**

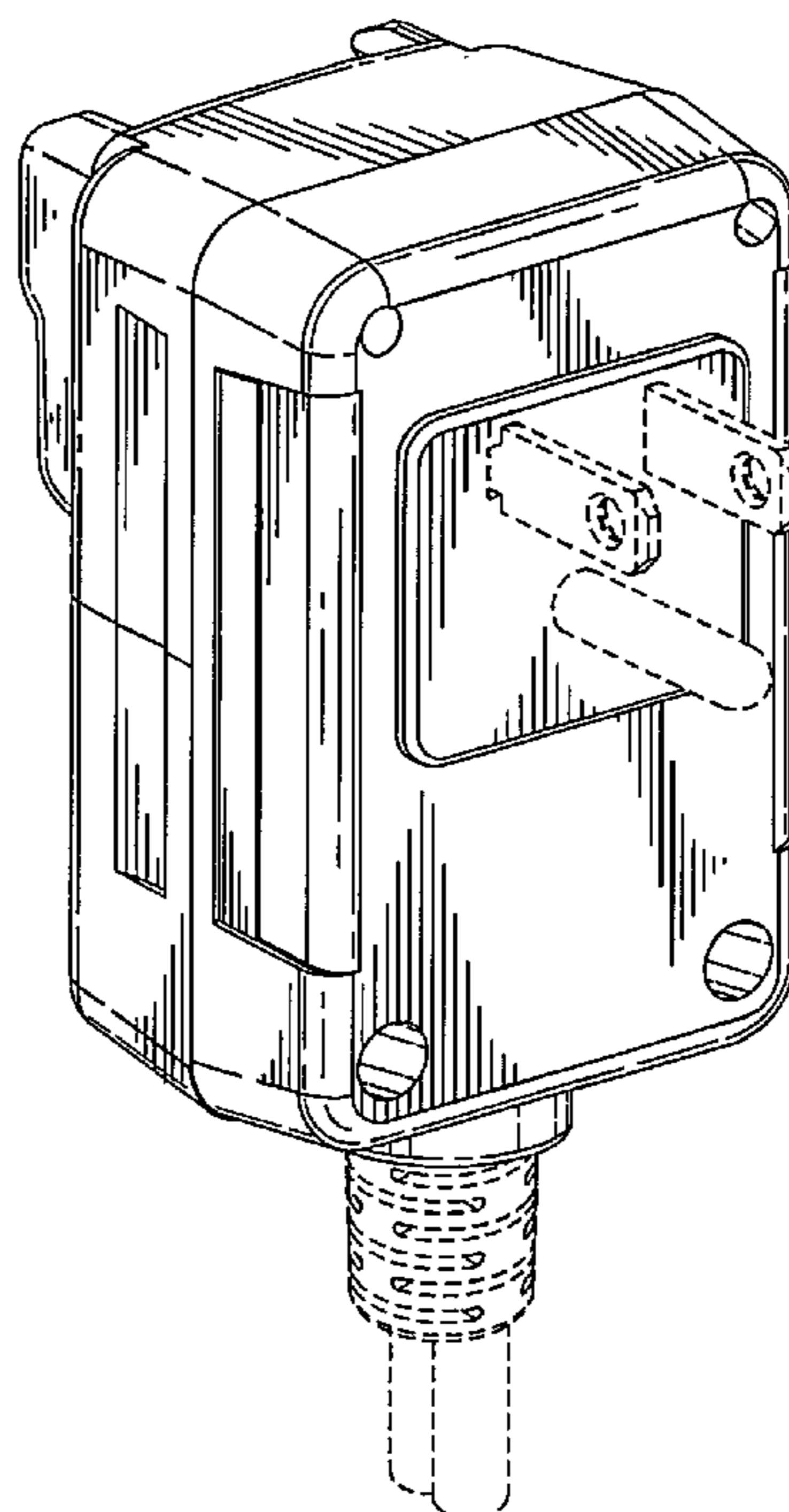
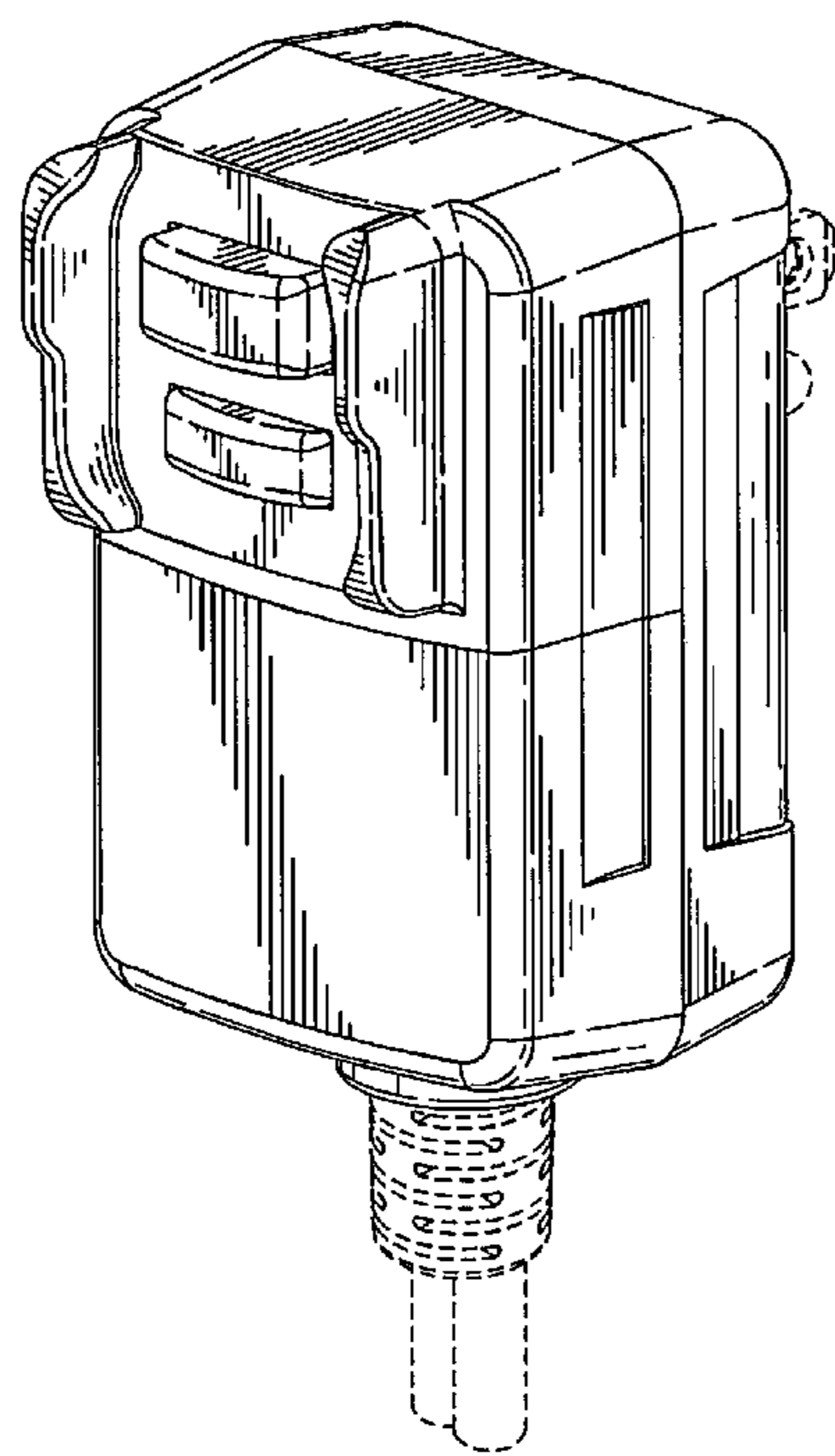
The ornamental design for a top button leakage current detec-
tion and interruption (LCDI) device, as shown and described.

DESCRIPTION

FIG. 1 is a front perspective view of the top button LCDI
device employing my new design;
FIG. 2 is a rear perspective view of FIG. 1;
FIG. 3 is a top view of FIG. 1;
FIG. 4 is a bottom view of FIG. 1;
FIG. 5 is a left side view of FIG. 1;
FIG. 6 is a right side view of FIG. 1;
FIG. 7 is a top end view of FIG. 1;
FIG. 8 is a bottom end view of FIG. 1;
FIG. 9 is an alternate embodiment of FIG. 1;
FIG. 10 is an alternate embodiment of FIG. 1; and,
FIG. 11 is an alternate embodiment of FIG. 1.

The broken lines are for illustrative purposes only and forms
no part of the claimed design.

1 Claim, 10 Drawing Sheets



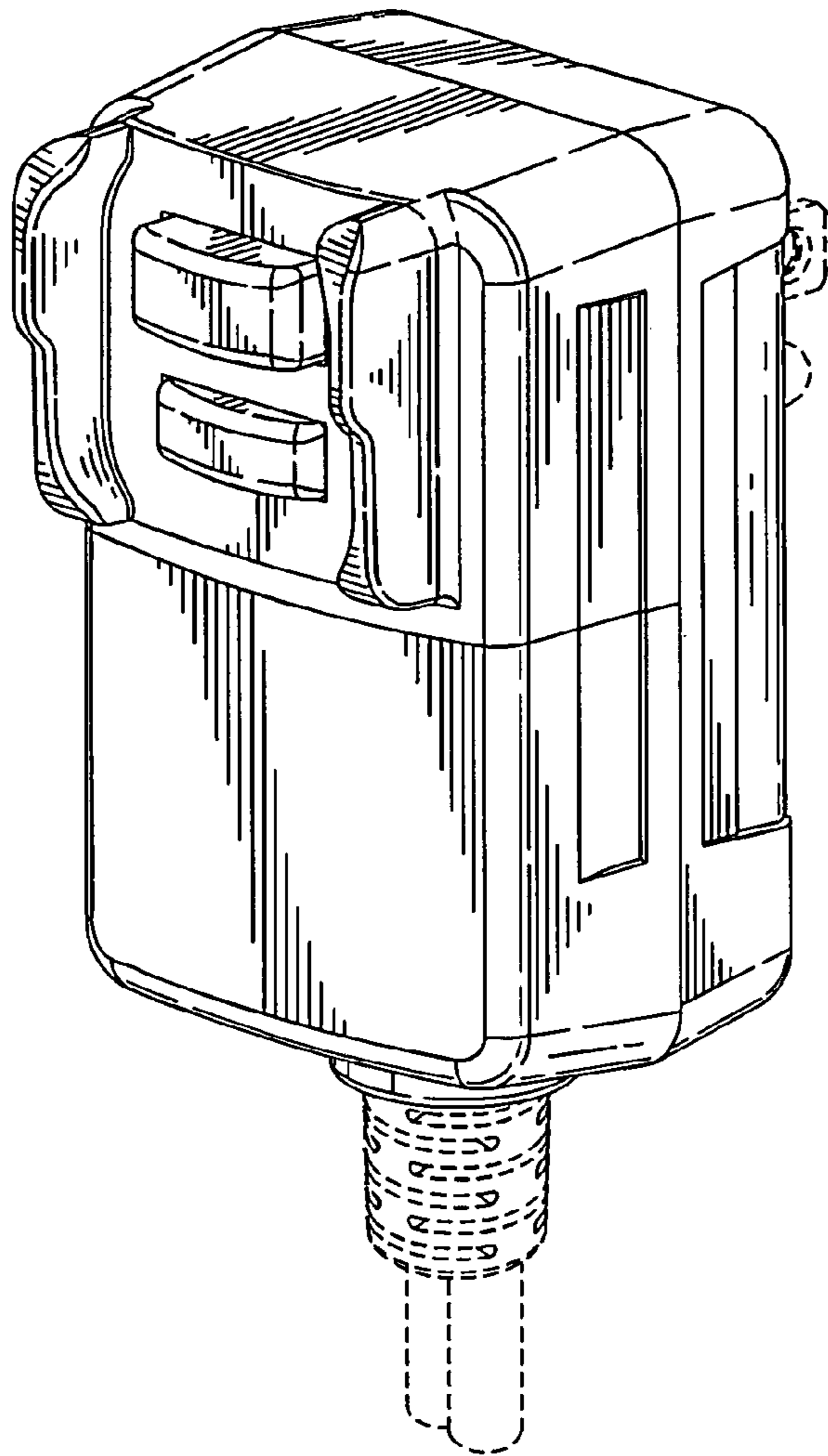


FIG. 1

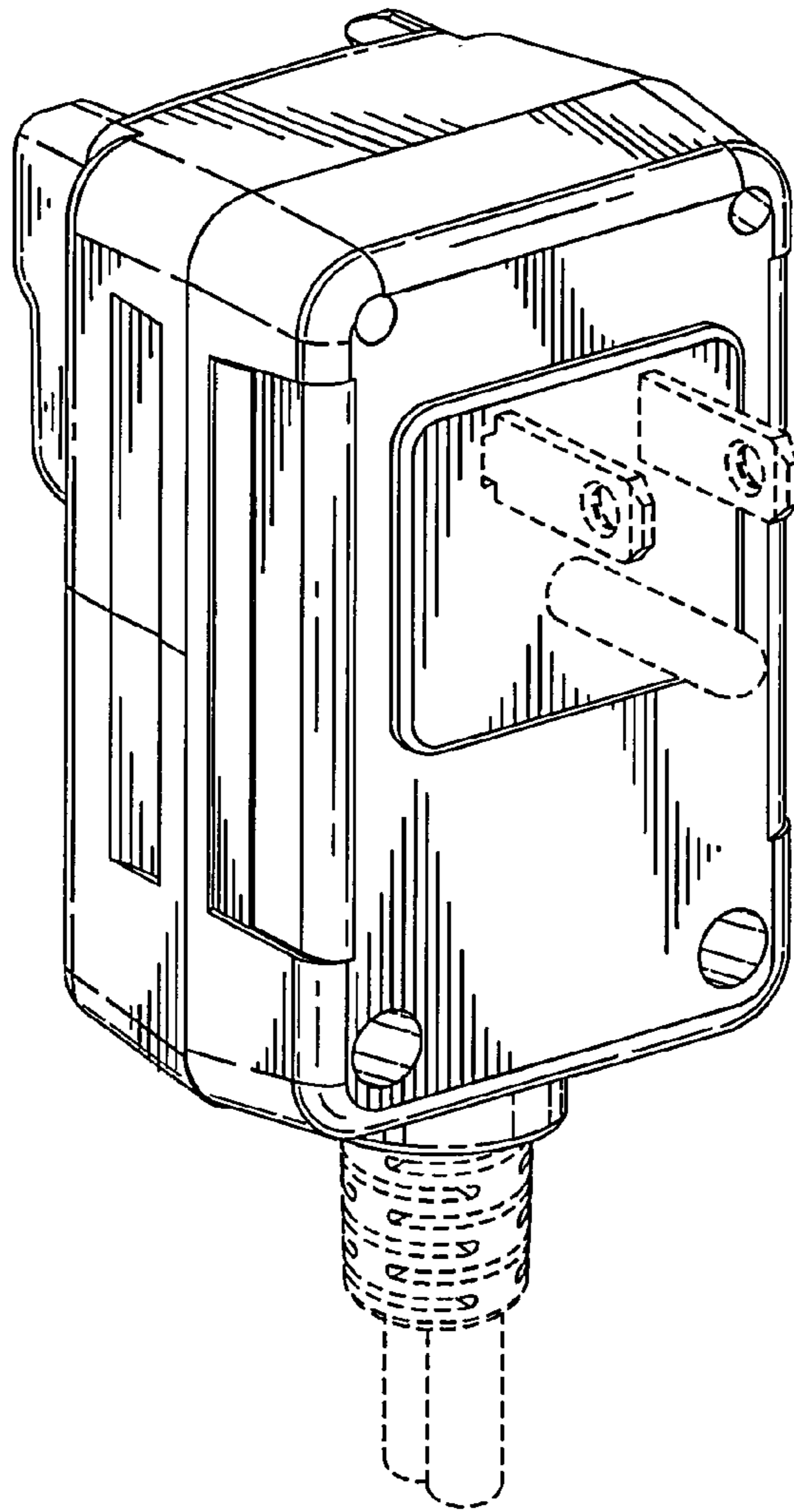


FIG. 2

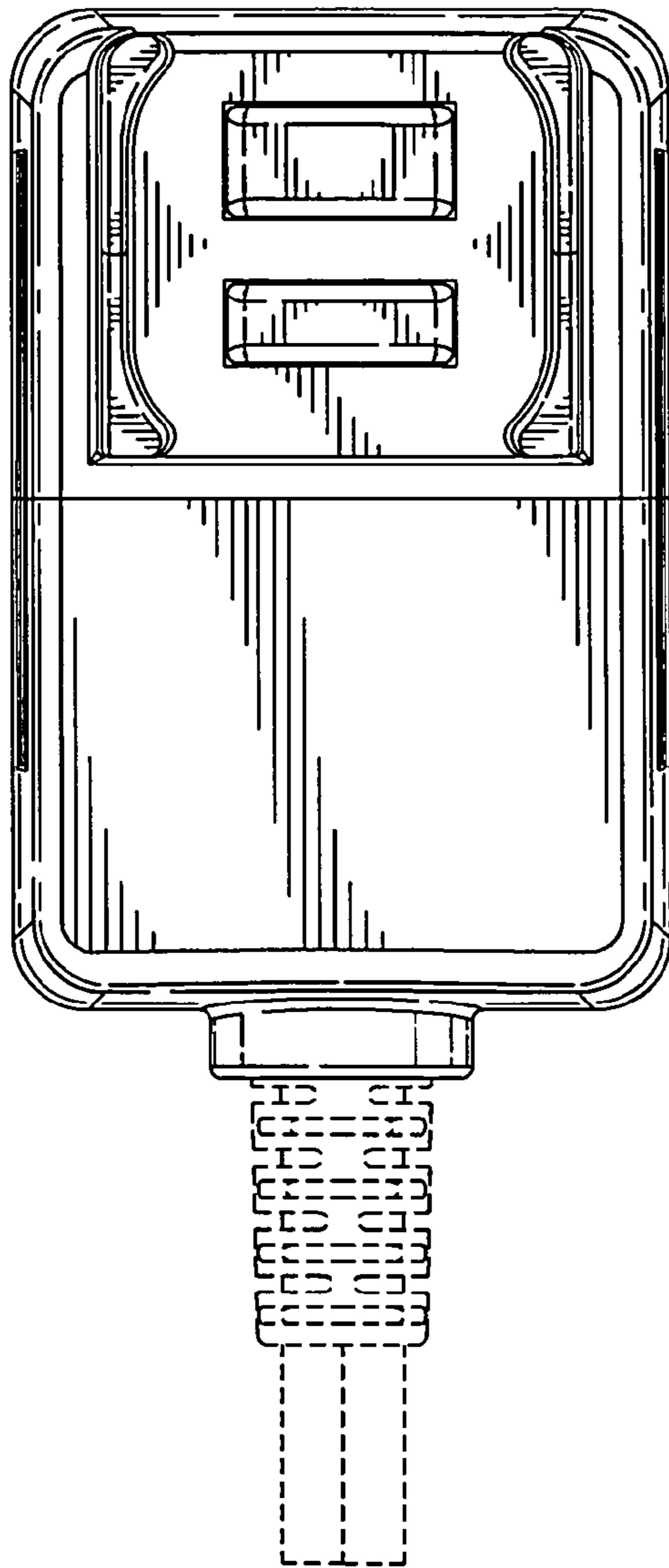


FIG. 3

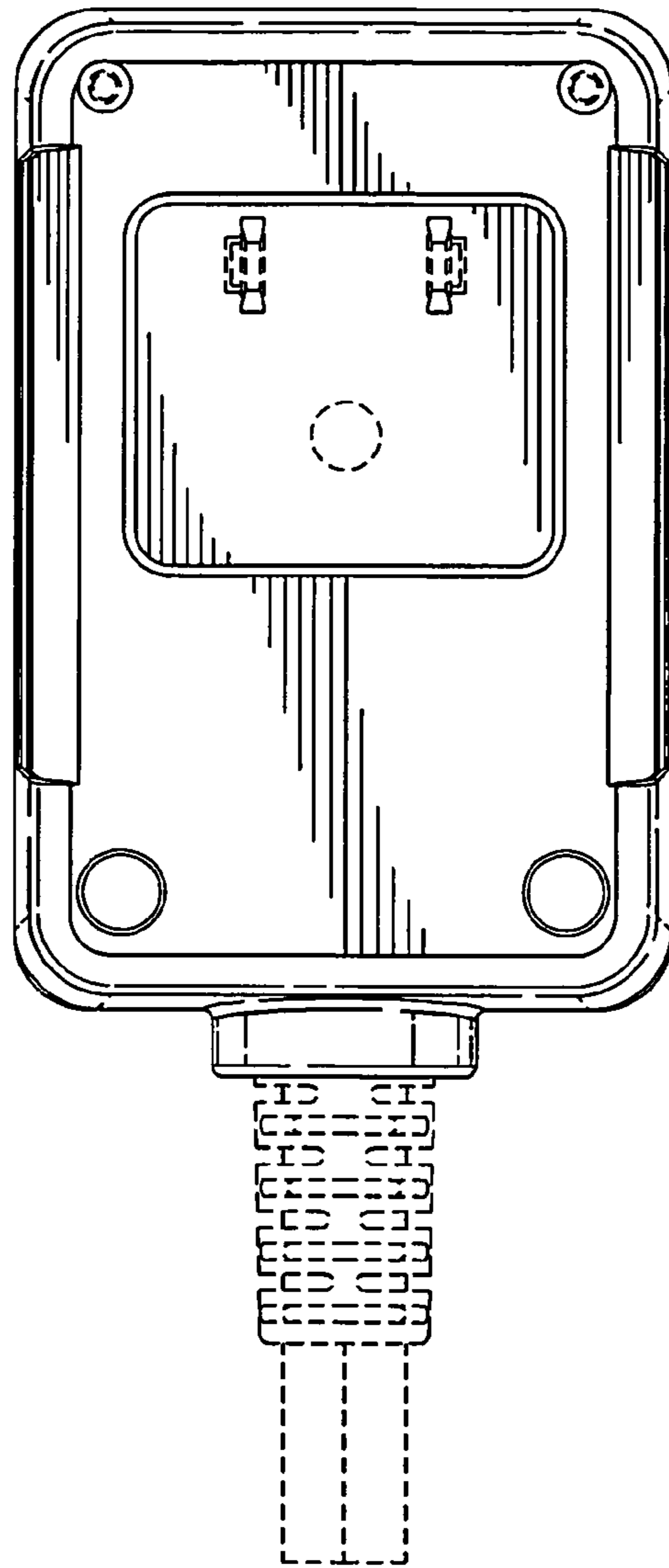


FIG. 4

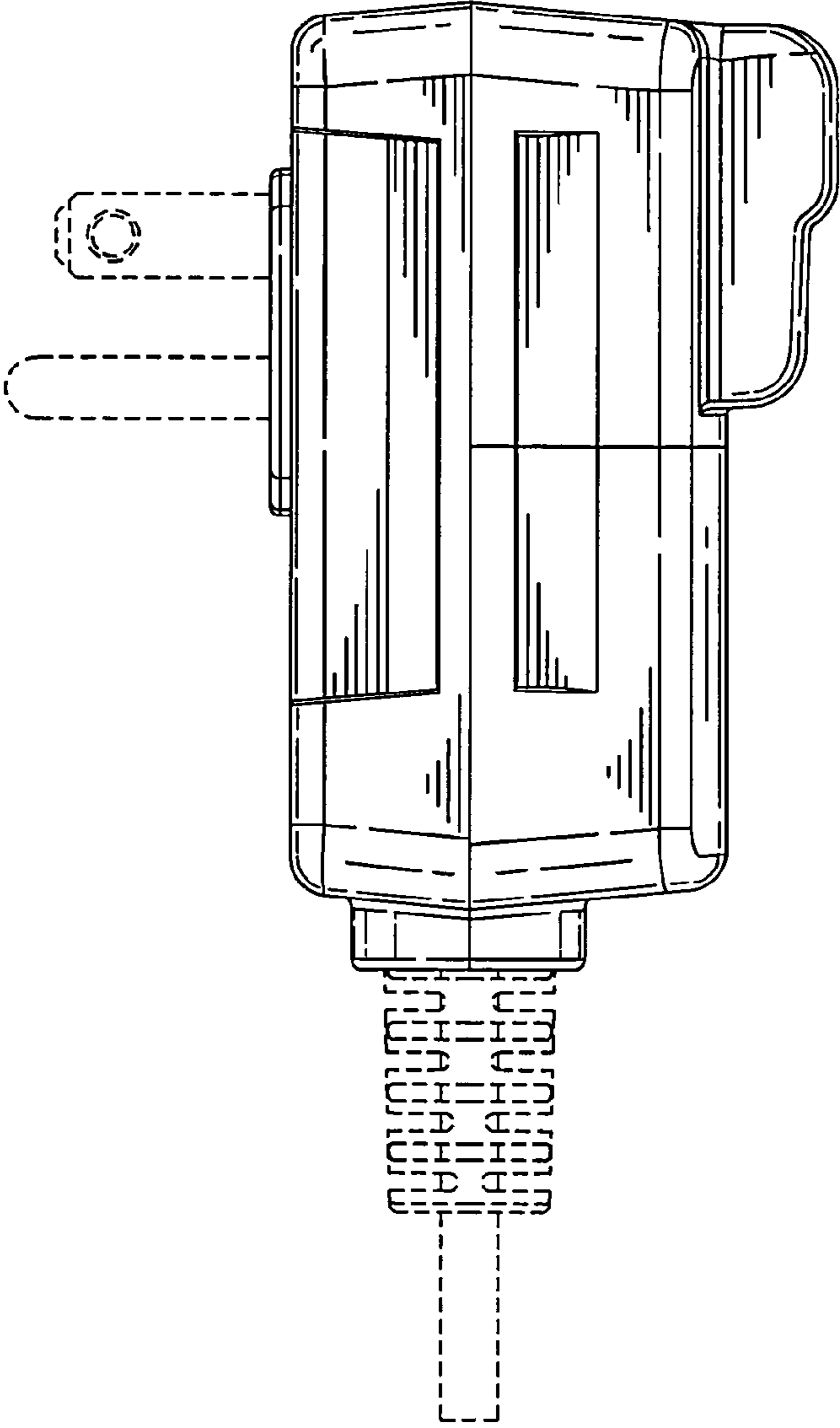


FIG. 5

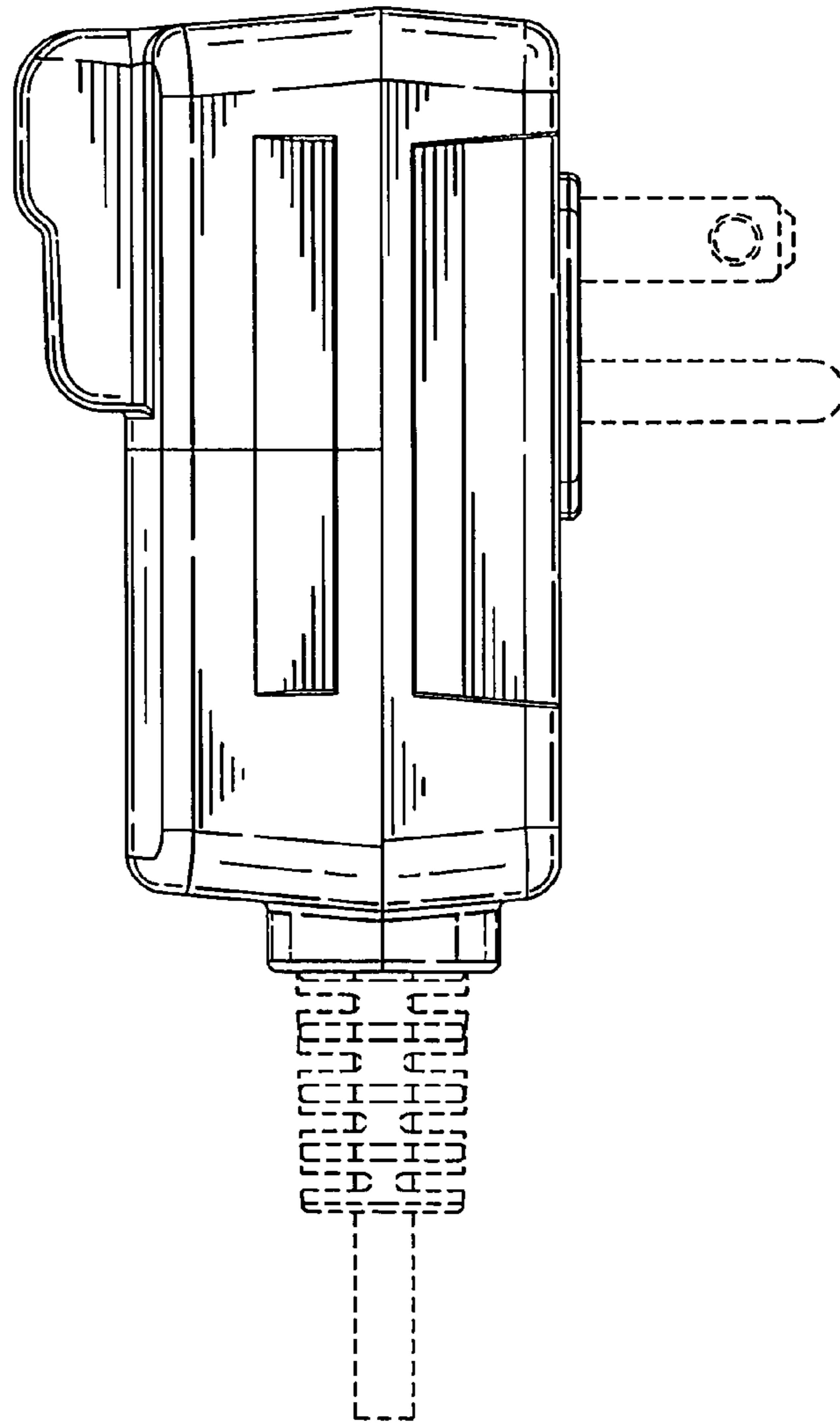


FIG. 6

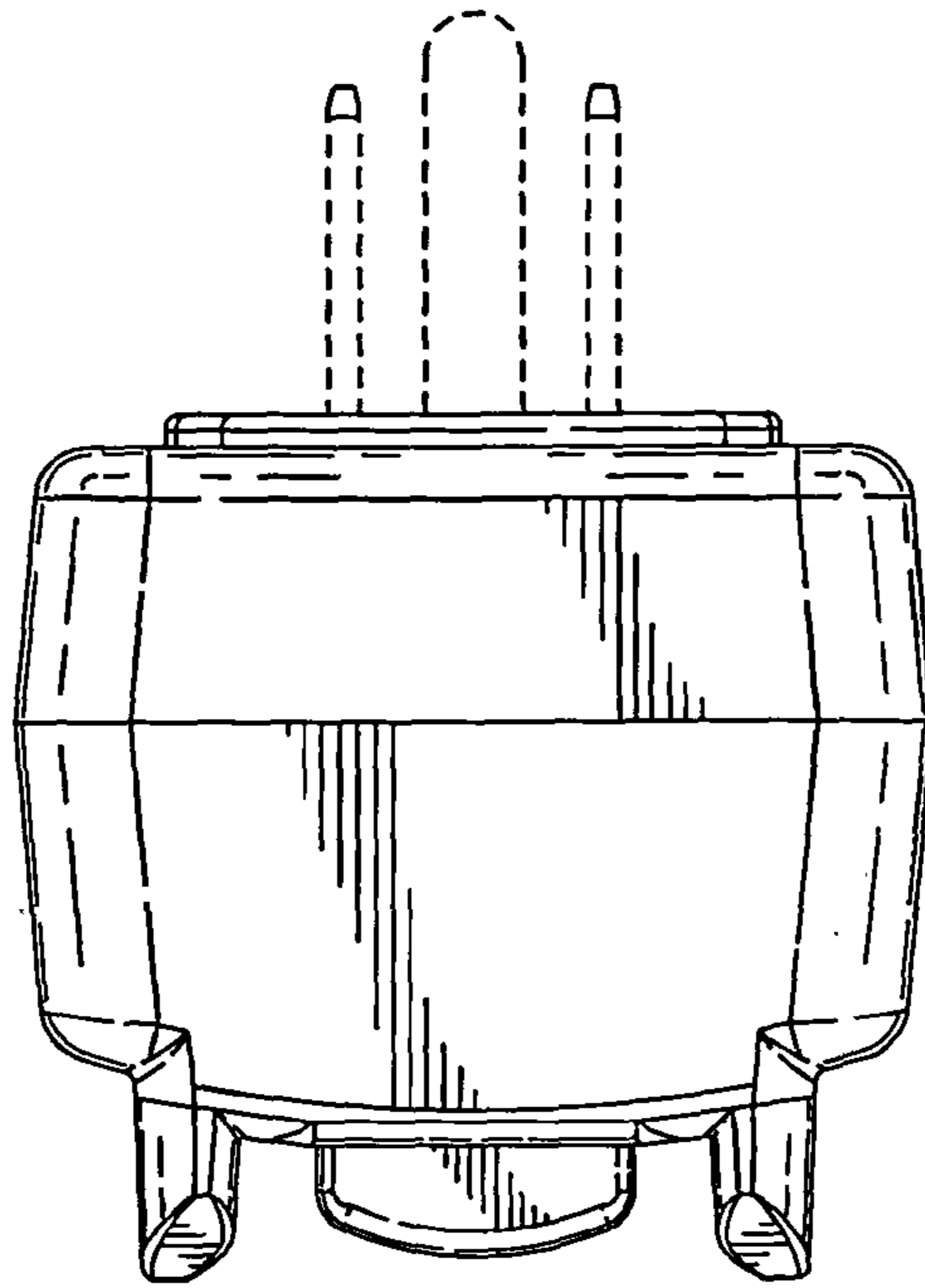


FIG. 7

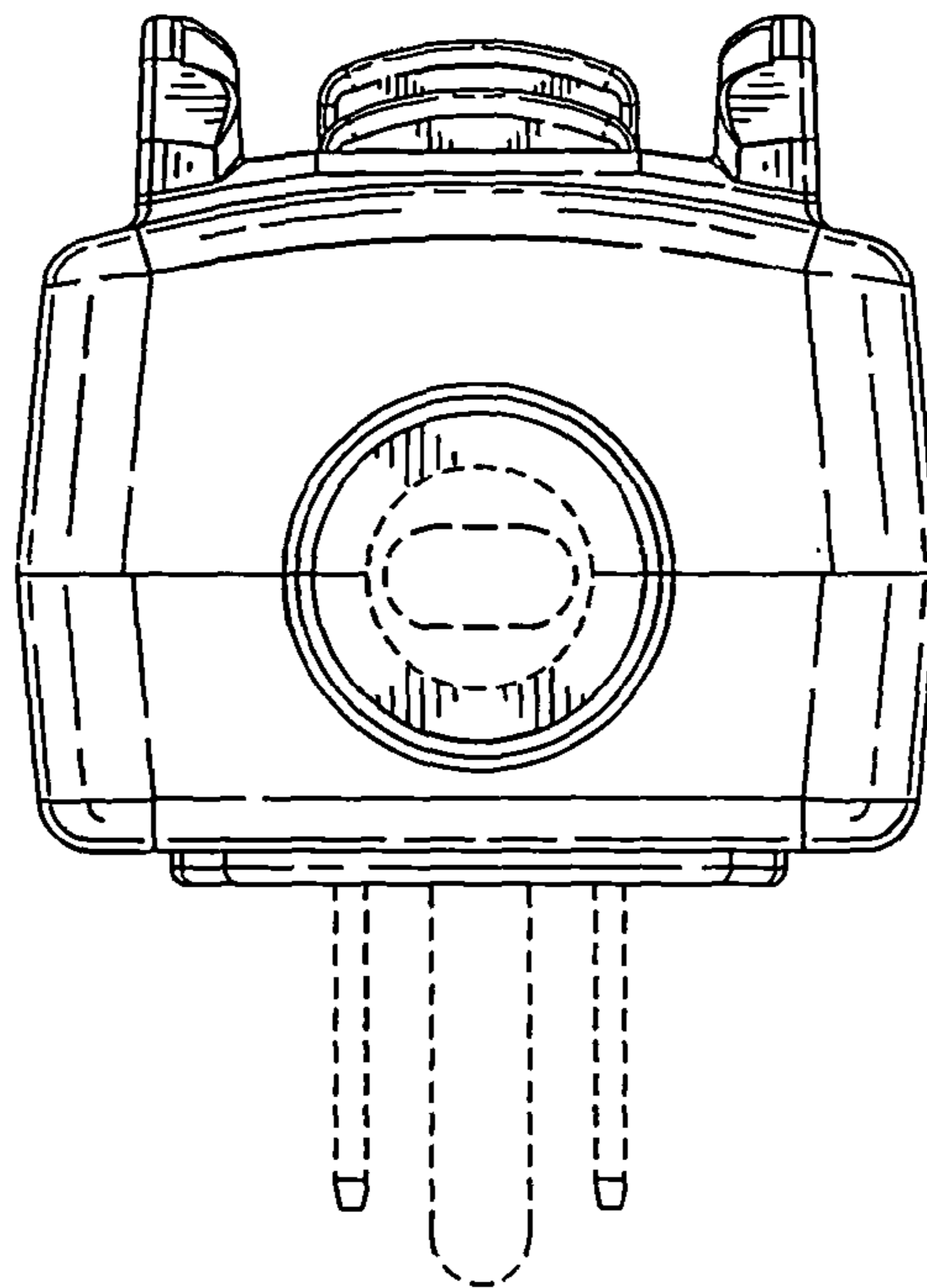


FIG. 8

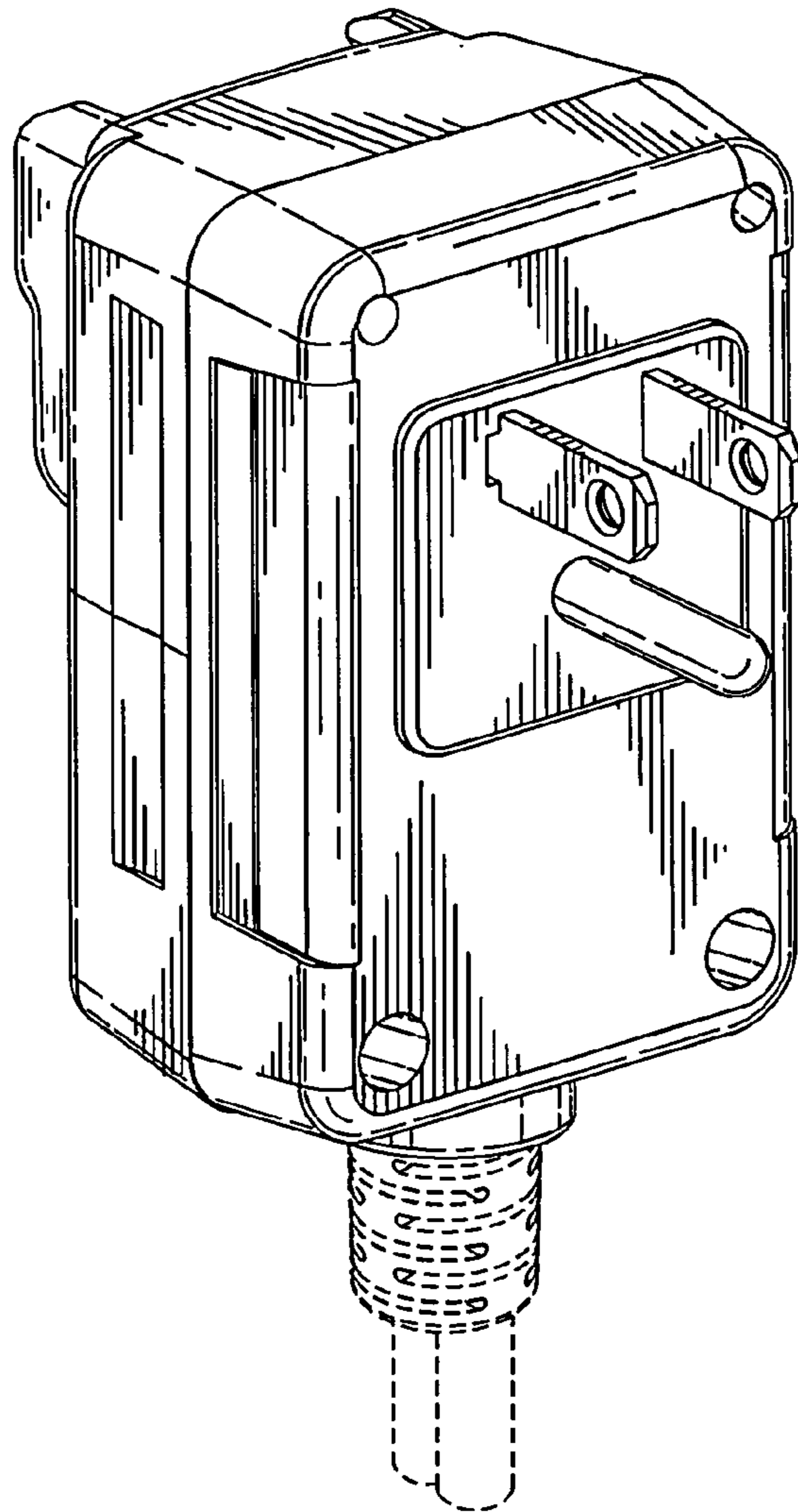


FIG. 9

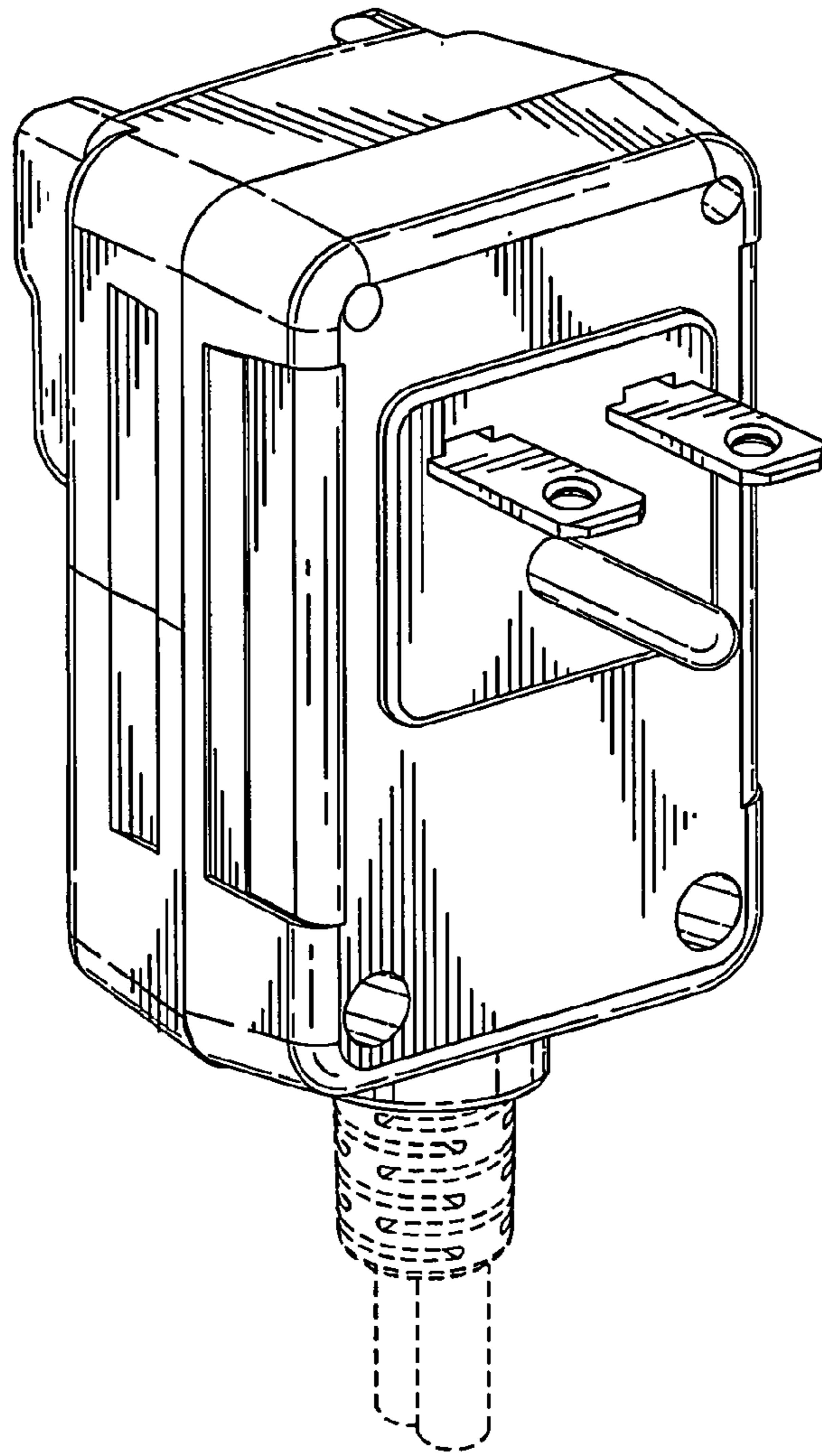


FIG. 10

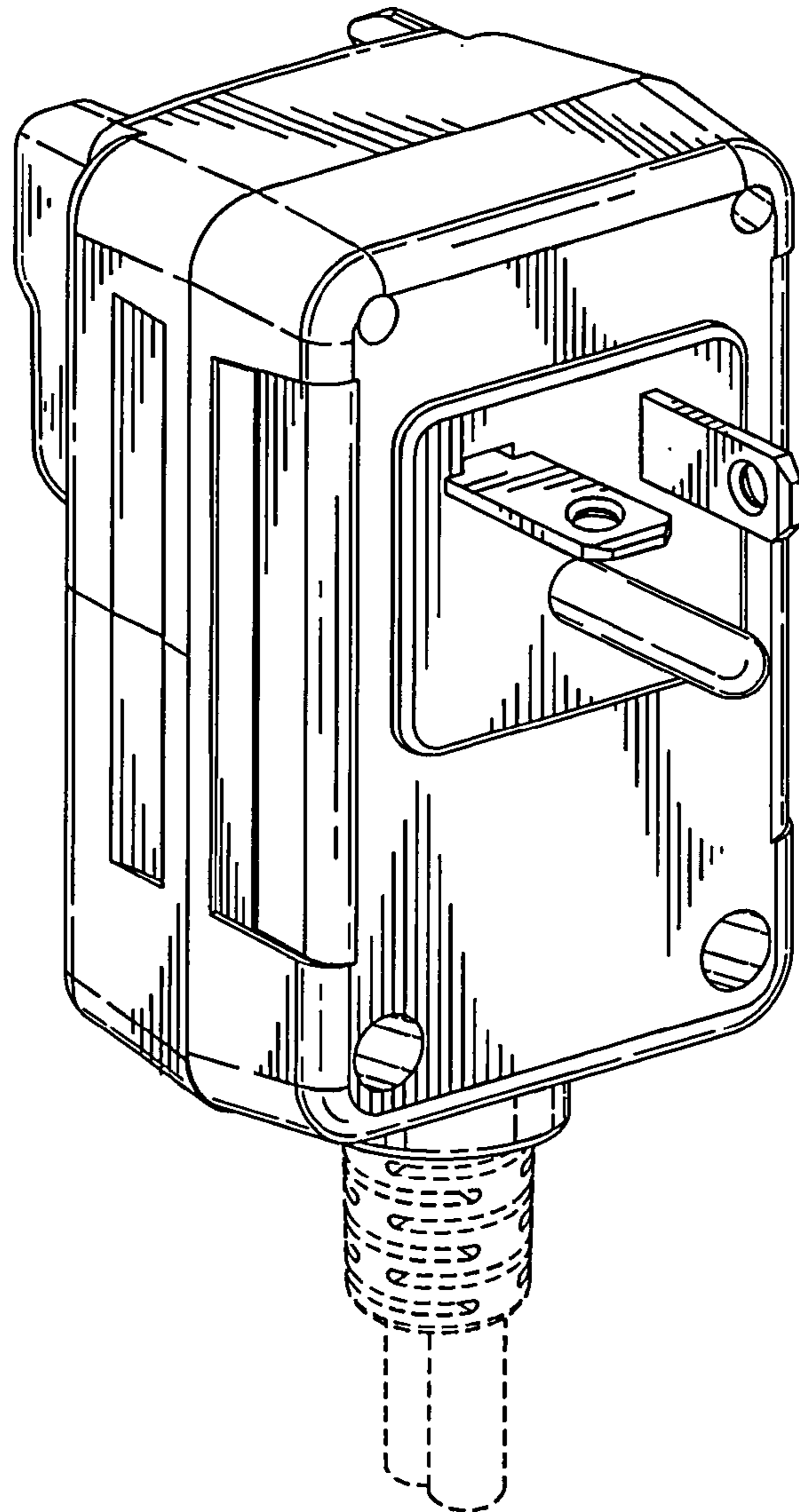


FIG. 11