



US00D727183S

(12) **United States Design Patent**
Park et al.

(10) **Patent No.:** **US D727,183 S**
(45) **Date of Patent:** **** Apr. 21, 2015**

- (54) **WRISTBAND HEALTH TRACKER**
- (71) Applicant: **Fitbit, Inc.**, San Francisco, CA (US)
- (72) Inventors: **James Park**, Berkeley, CA (US); **Mark Manuel Martinez**, San Francisco, CA (US); **Michael Joseph Francisco**, San Francisco, CA (US); **Adrian Sesto**, Encino, CA (US); **Meng-Chih Tsai**, Chiayi (TW); **Daniel J. Clifton**, San Francisco, CA (US); **Susan Elizabeth McKinney**, San Francisco, CA (US); **Gadi Amit**, San Mateo, CA (US)
- (73) Assignee: **Fitbit, Inc.**, San Francisco, CA (US)
- (**) Term: **14 Years**

- (21) Appl. No.: **29/498,195**
- (22) Filed: **Jul. 31, 2014**
- (51) **LOC (10) Cl.** **10-04**
- (52) **U.S. Cl.**
USPC **D10/70; 10/78**
- (58) **Field of Classification Search**
CPC G08G 1/096883; G08G 1/096872;
G08G 1/096775; G01C 21/16; G01C 21/3688;
G01C 21/30; G01V 8/20; G01J 5/02; G01J
5/023; G01J 5/24; G01J 5/10; G01J 5/20;
G01J 5/0235; G01J 5/08; G01J 5/0853;
G01J 5/33; G01J 5/34
USPC D10/70, 78, 103
See application file for complete search history.

(56) **References Cited**
U.S. PATENT DOCUMENTS

- D141,753 S 7/1945 Du Bois
- 2,871,592 A 2/1959 Polzin
- D299,718 S * 2/1989 Steer et al. D14/247

- D305,422 S * 1/1990 Steer et al. D14/247
- D315,111 S 3/1991 Rogalski
- D323,787 S 2/1992 Moorman

(Continued)

OTHER PUBLICATIONS

U.S. Appl. No. 29/468,506, filed Oct. 1, 2013, Park et al.
(Continued)

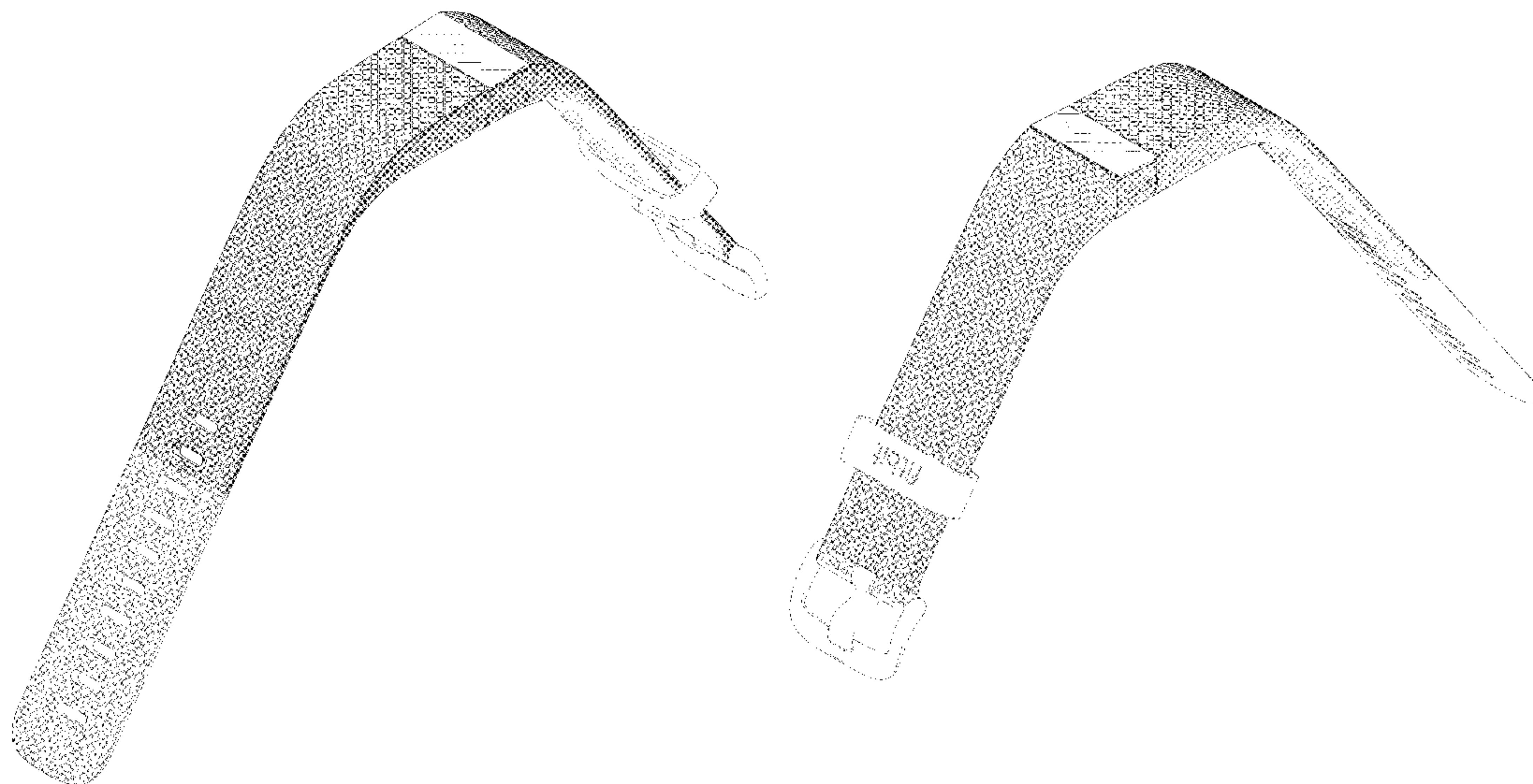
Primary Examiner — Antoine D Davis
(74) *Attorney, Agent, or Firm* — Weaver Austin Villeneuve & Sampson

(57) **CLAIM**
The ornamental design for a wristband health tracker, as shown and described.

DESCRIPTION

FIG. 1 is an isometric view of a wristband health tracker looking at the top, front, and right sides.
 FIG. 2 is a further isometric view of the wristband health tracker looking at the top, back, and left sides.
 FIG. 3 is a further isometric view of the wristband health tracker looking at the bottom, front, and left sides.
 FIG. 4 is a further isometric view of the wristband health tracker looking at the bottom, back, and left sides.
 FIG. 5 is a right side view of the wristband health tracker.
 FIG. 6 is a left side view of the wristband health tracker.
 FIG. 7 is a top view of the wristband health tracker.
 FIG. 8 is a bottom view of the wristband health tracker.
 FIG. 9 is a front view of the wristband health tracker.
 FIG. 10 is a back view of the wristband health tracker; and,
 FIG. 11 is an isometric view of the wristband health tracker looking at the top, front, and left sides.
 The broken line showing of structural features is included for the purpose of illustrating non-claimed subject matter and forms no part of the claimed design.

1 Claim, 6 Drawing Sheets



(56)

References Cited

U.S. PATENT DOCUMENTS

D331,020 S * 11/1992 Ishii et al. D10/31
 D400,112 S 10/1998 Rider
 D445,041 S 7/2001 Tan et al.
 D449,008 S 10/2001 Sargent
 D455,093 S * 4/2002 Fitzgerald D10/98
 D471,471 S 3/2003 Fu et al.
 D480,653 S 10/2003 Lo
 6,738,317 B2 5/2004 Nussbaum
 D517,441 S 3/2006 Heatherly et al.
 D528,439 S * 9/2006 Burton D10/32
 D528,928 S * 9/2006 Burton D10/38
 D535,055 S 1/2007 Been et al.
 D536,265 S * 2/2007 Reynoso D10/31
 D538,687 S * 3/2007 Komulainen D10/70
 D545,220 S 6/2007 Leung
 D548,128 S 8/2007 Andren et al.
 D549,602 S * 8/2007 Oberrieder et al. D10/65
 D550,105 S * 9/2007 Oberrieder et al. D10/65
 D550,112 S 9/2007 Andren et al.
 D553,512 S 10/2007 Tang
 D556,194 S 11/2007 Rambossek et al.
 D559,723 S 1/2008 Kraus et al.
 D560,520 S * 1/2008 Oberrieder et al. D10/65
 D564,367 S 3/2008 Molyneux
 D567,227 S 4/2008 Hada
 D567,676 S 4/2008 Tang
 D569,282 S * 5/2008 Daniel D10/65
 D573,905 S * 7/2008 Poirier D10/65
 D581,826 S 12/2008 Molyneux
 D586,674 S 2/2009 Solarewicz
 D589,375 S 3/2009 Tang
 7,529,155 B2 5/2009 Fasciano
 D595,858 S 7/2009 Kazel
 D602,386 S 10/2009 Ueda et al.
 D610,476 S * 2/2010 Daniel D10/65
 D637,094 S 5/2011 Cobbett et al.
 D637,506 S 5/2011 Toyoshima et al.
 D645,360 S * 9/2011 Kiser et al. D10/32
 D656,856 S 4/2012 Kleinberg
 D664,880 S 8/2012 Cobbett et al.

D664,881 S 8/2012 Cobbett et al.
 D664,882 S 8/2012 Cobbett et al.
 D667,126 S 9/2012 Cho et al.
 D669,382 S 10/2012 Alvarez et al.
 D669,383 S 10/2012 Cobbett et al.
 D669,384 S 10/2012 Alvarez et al.
 8,296,983 B2 10/2012 Padgett et al.
 D670,583 S * 11/2012 Shaanan D10/70
 D671,858 S 12/2012 Cobbett et al.
 D672,667 S * 12/2012 Mix D10/65
 D677,190 S 3/2013 Cobbett et al.
 D680,020 S 4/2013 Cobbett et al.
 8,408,436 B2 4/2013 Berry et al.
 D684,082 S 6/2013 Alvarez et al.
 D684,497 S 6/2013 Cobbett et al.
 D693,251 S 11/2013 Anderssen et al.
 8,776,418 B1 7/2014 Martinez et al.
 D718,647 S * 12/2014 Roush et al. D10/98
 D720,249 S 12/2014 Park et al.
 D720,635 S 1/2015 Park et al.
 2006/0203621 A1 9/2006 Brodmann
 2010/0162472 A1 7/2010 Abraham
 2014/0107493 A1 4/2014 Yuen et al.
 2014/0156196 A1 6/2014 Martinez et al.

OTHER PUBLICATIONS

U.S. Appl. No. 29/468,517, filed Oct. 1, 2013, Park et al.
 U.S. Appl. No. 29/497,740, filed Jul. 28, 2014, Park et al.
 U.S. Appl. No. 29/499,065, filed Aug. 11, 2014, Martinez et al.
 U.S. Appl. No. 29/500,837, filed Aug. 28, 2014, Martinez et al.
 US Office Action, dated Aug. 4, 2014, issued in U.S. Appl. No. 29/468,506.
 US Notice of Allowance, dated Aug. 15, 2014, issued in U.S. Appl. No. 29/468,517.
 Fitbit Flex Wireless Activity+ Sleep Wristband, Amazon.com, first reviewed on Apr. 16, 2013, only. Site visited Jul. 22, 2014. Internet URL:<“http://www.amazon.com/Fitbit-Wireless-Activity-Sleep-Wristband/dp/B00BGO0Q90/ref=cm_cr_pr_product_top”>, 1 page.
 US Notice of Allowance, dated Jan. 7, 2015, issued in U.S. Appl. No. 29/499,065.

* cited by examiner

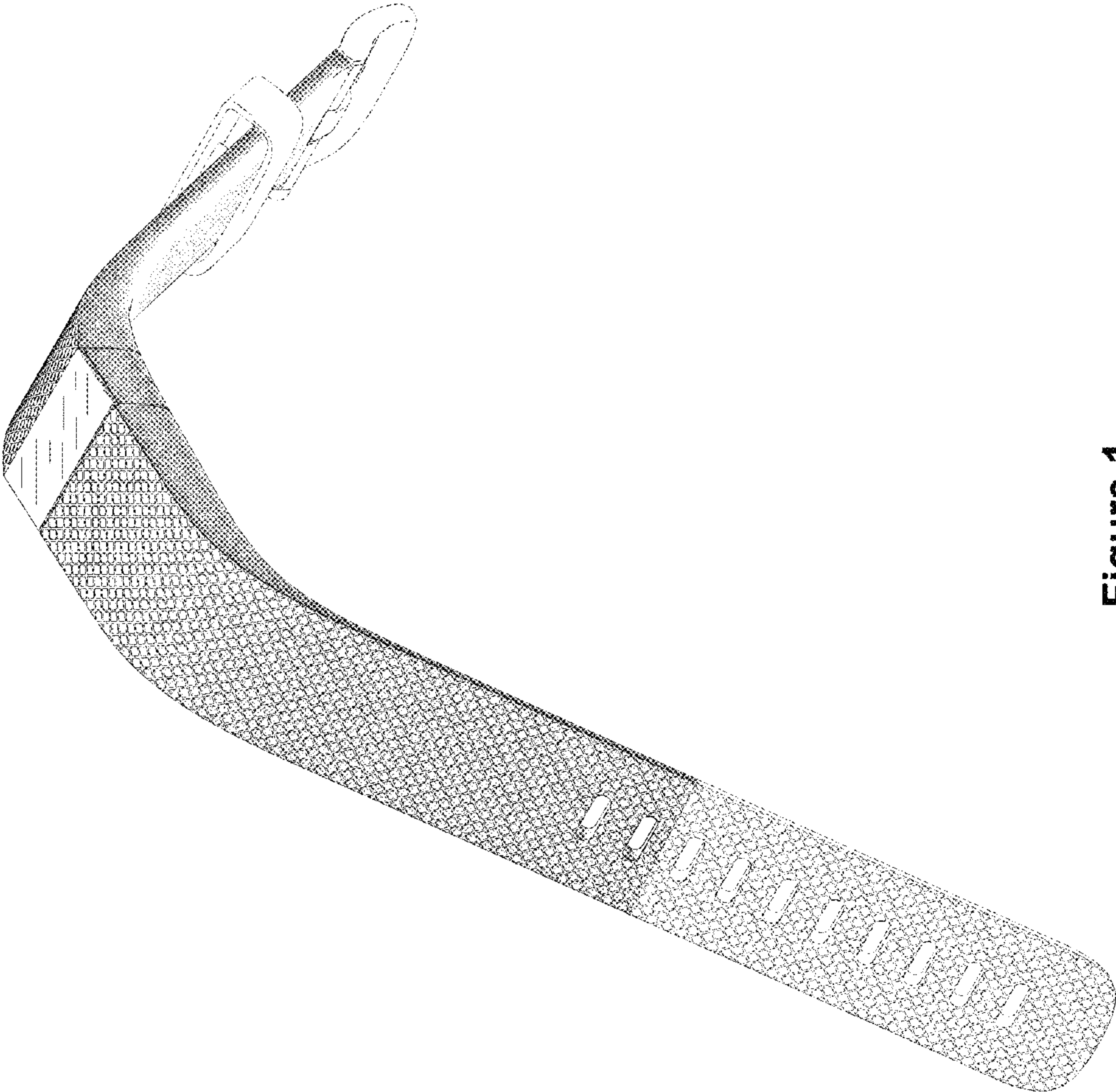


Figure 1

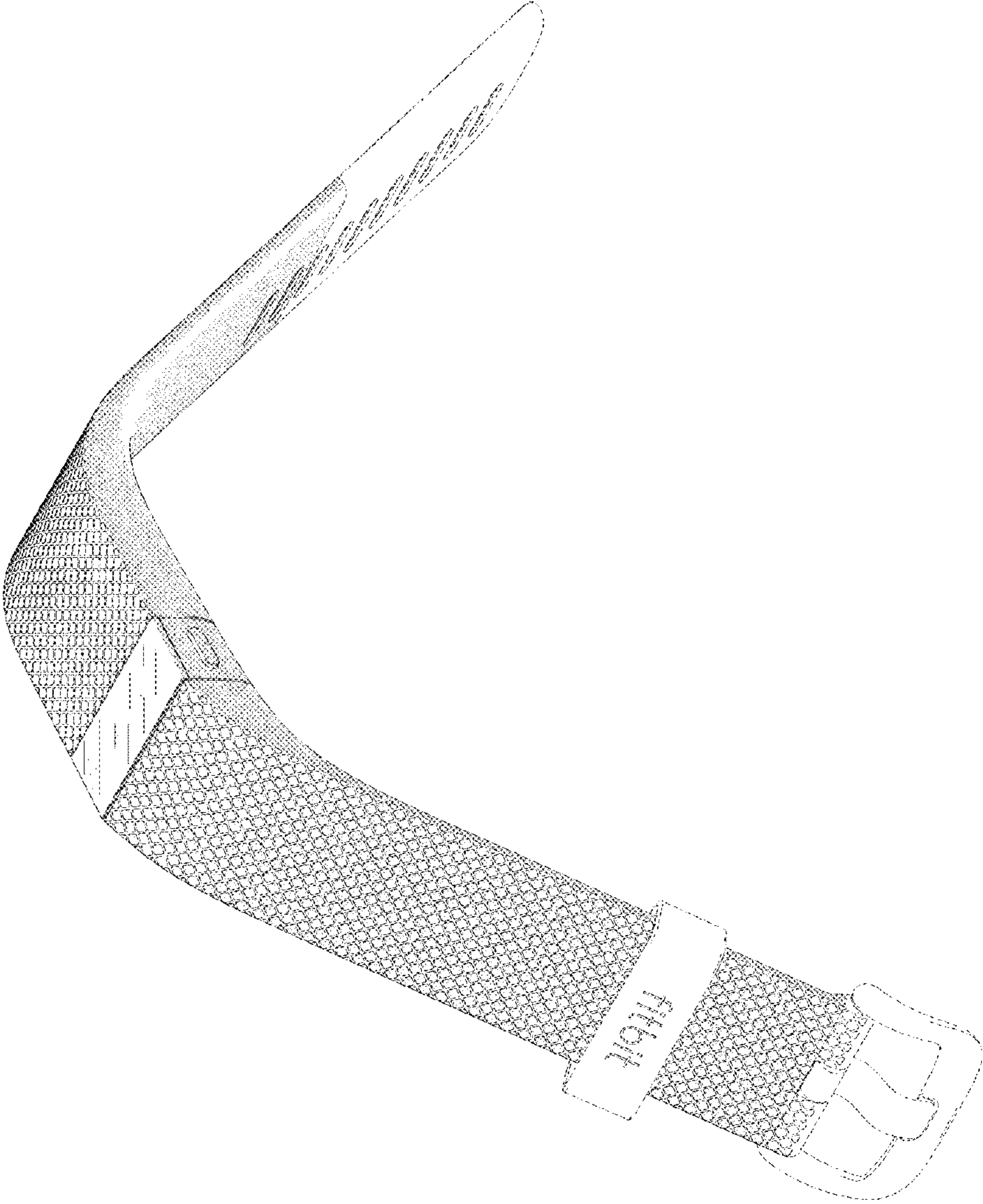


Figure 2

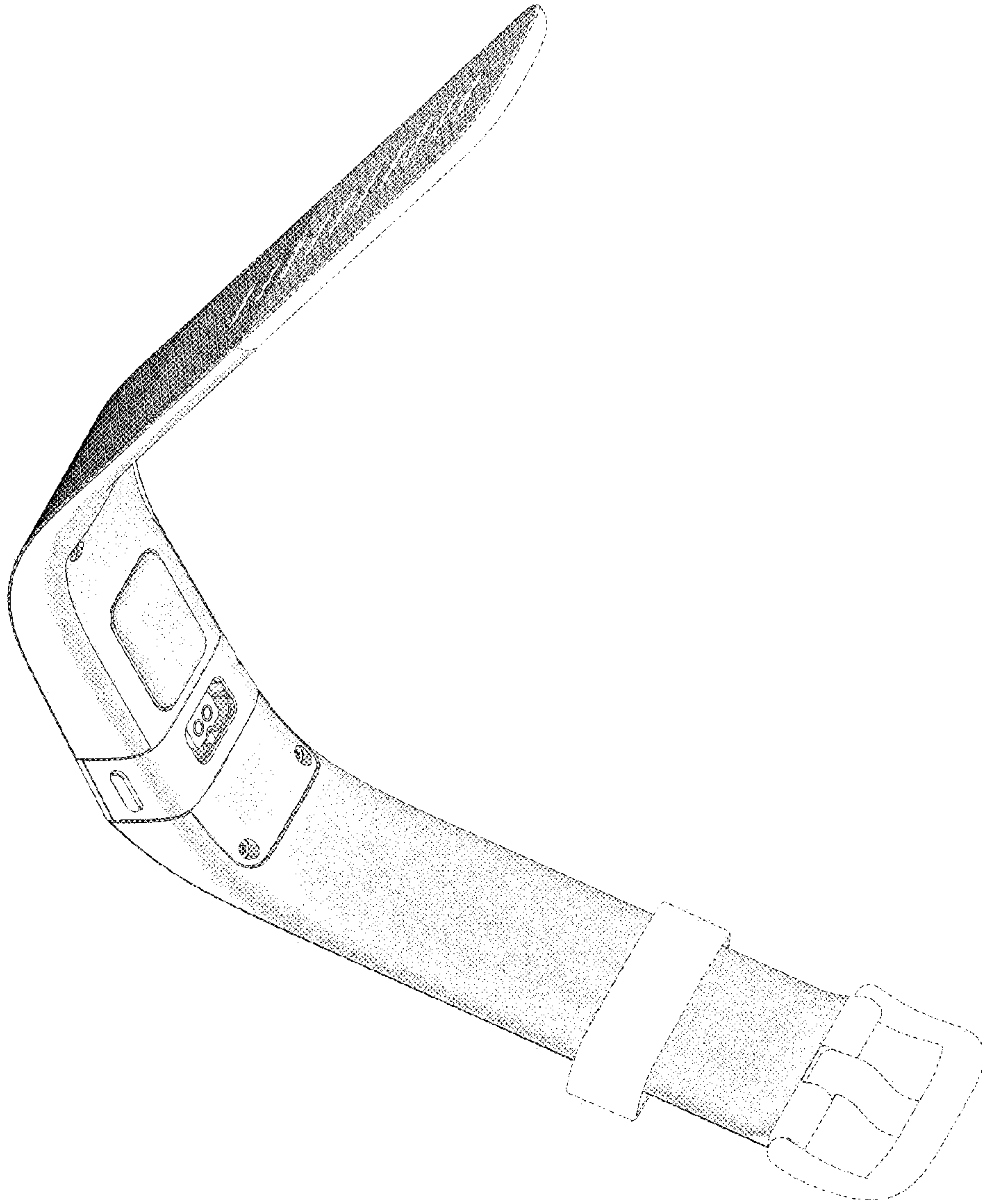


Figure 3

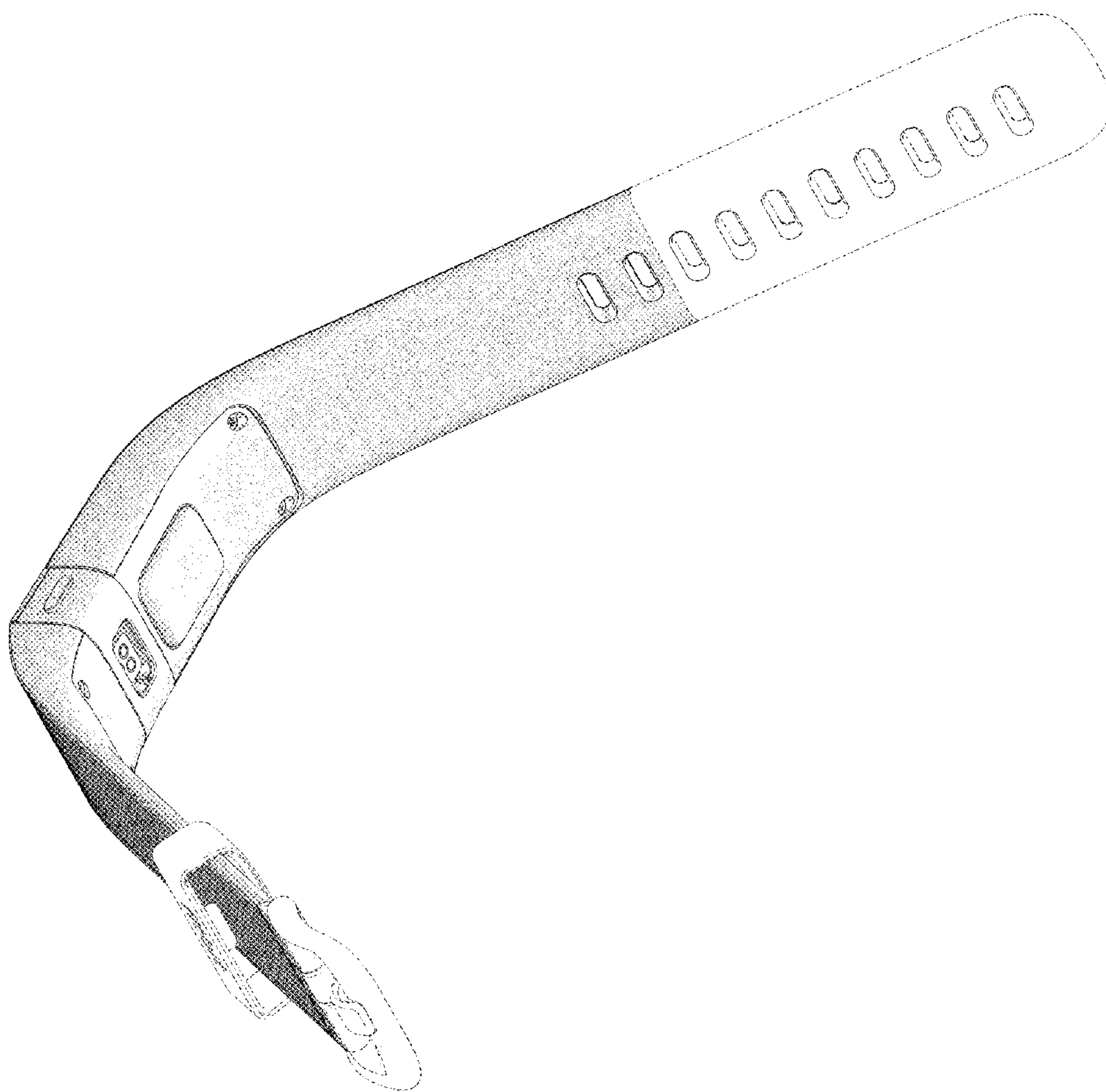
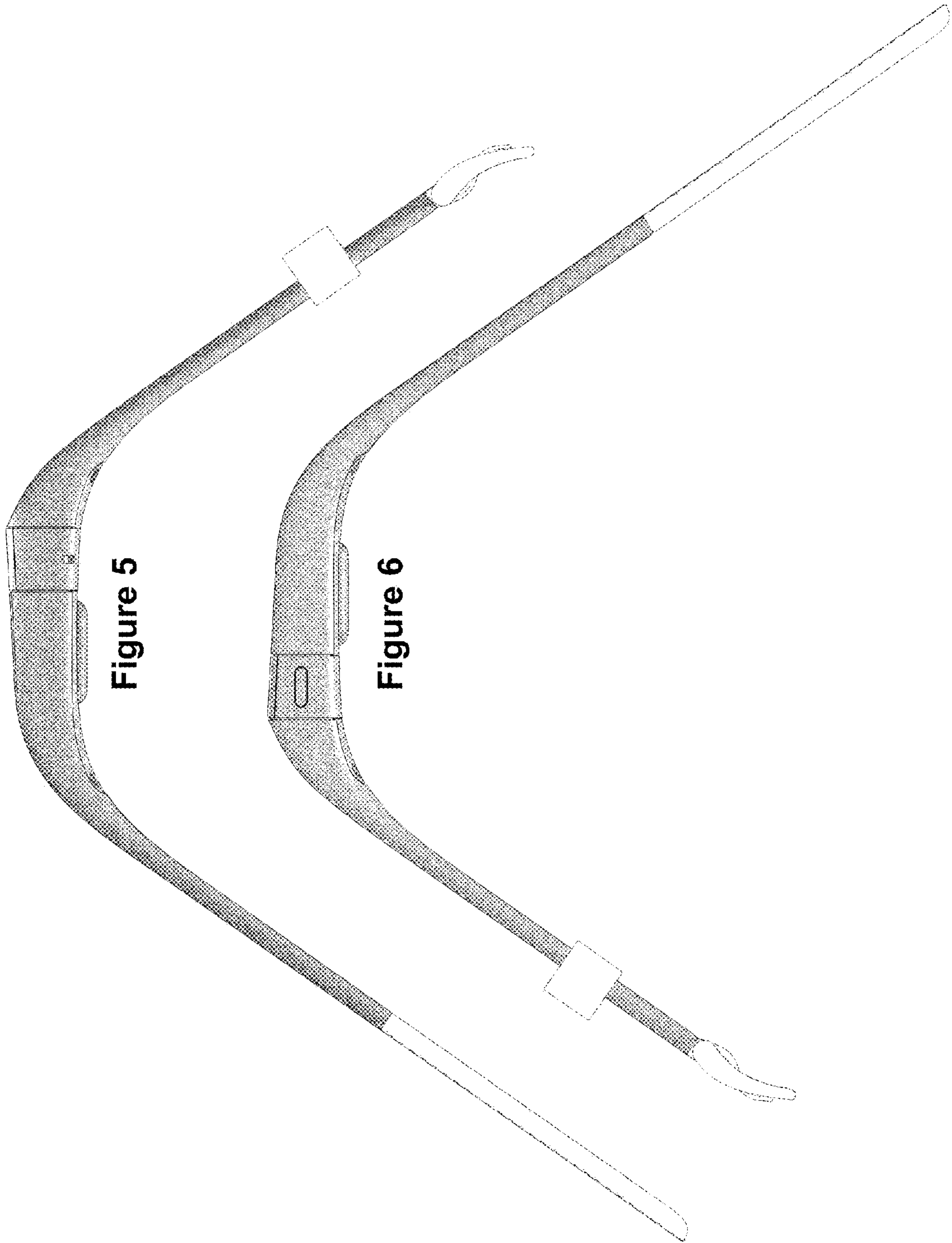


Figure 4



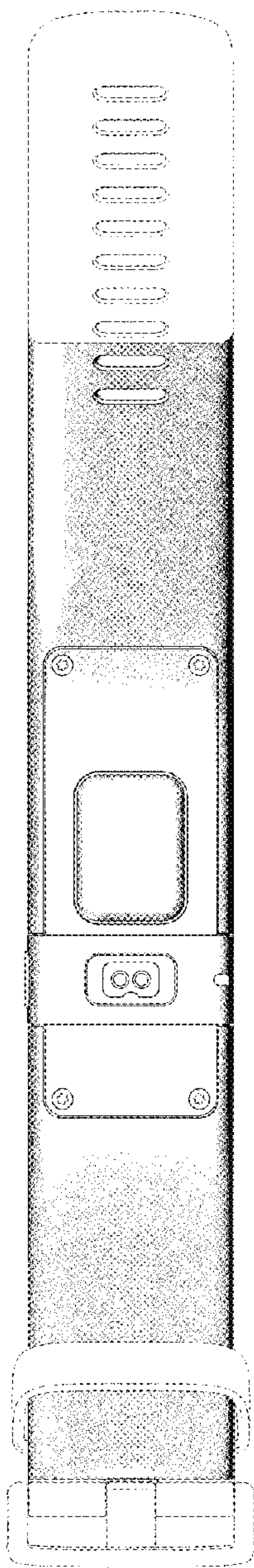


Figure 8

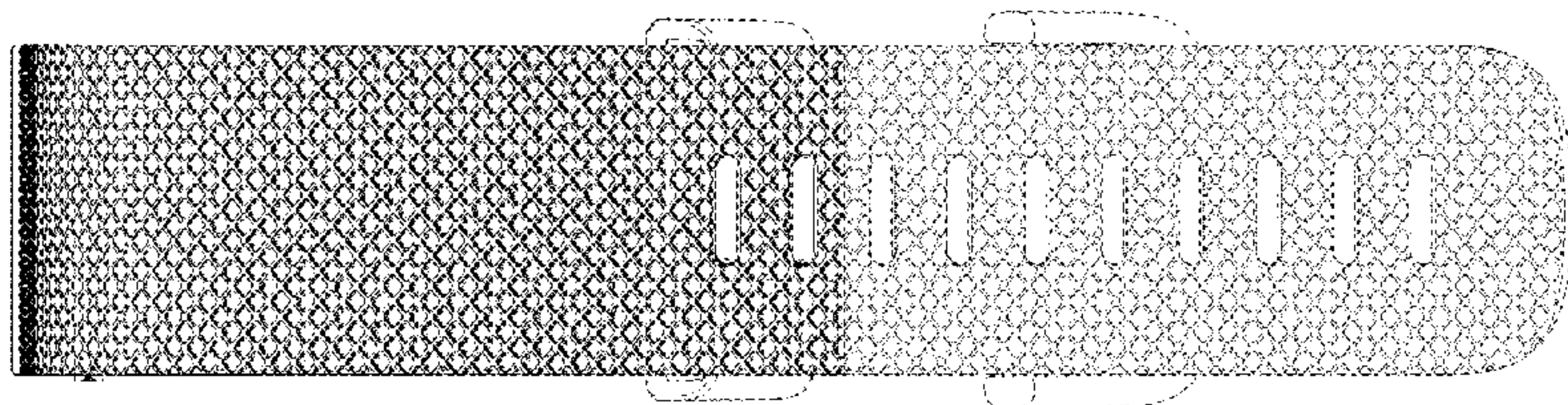


Figure 9

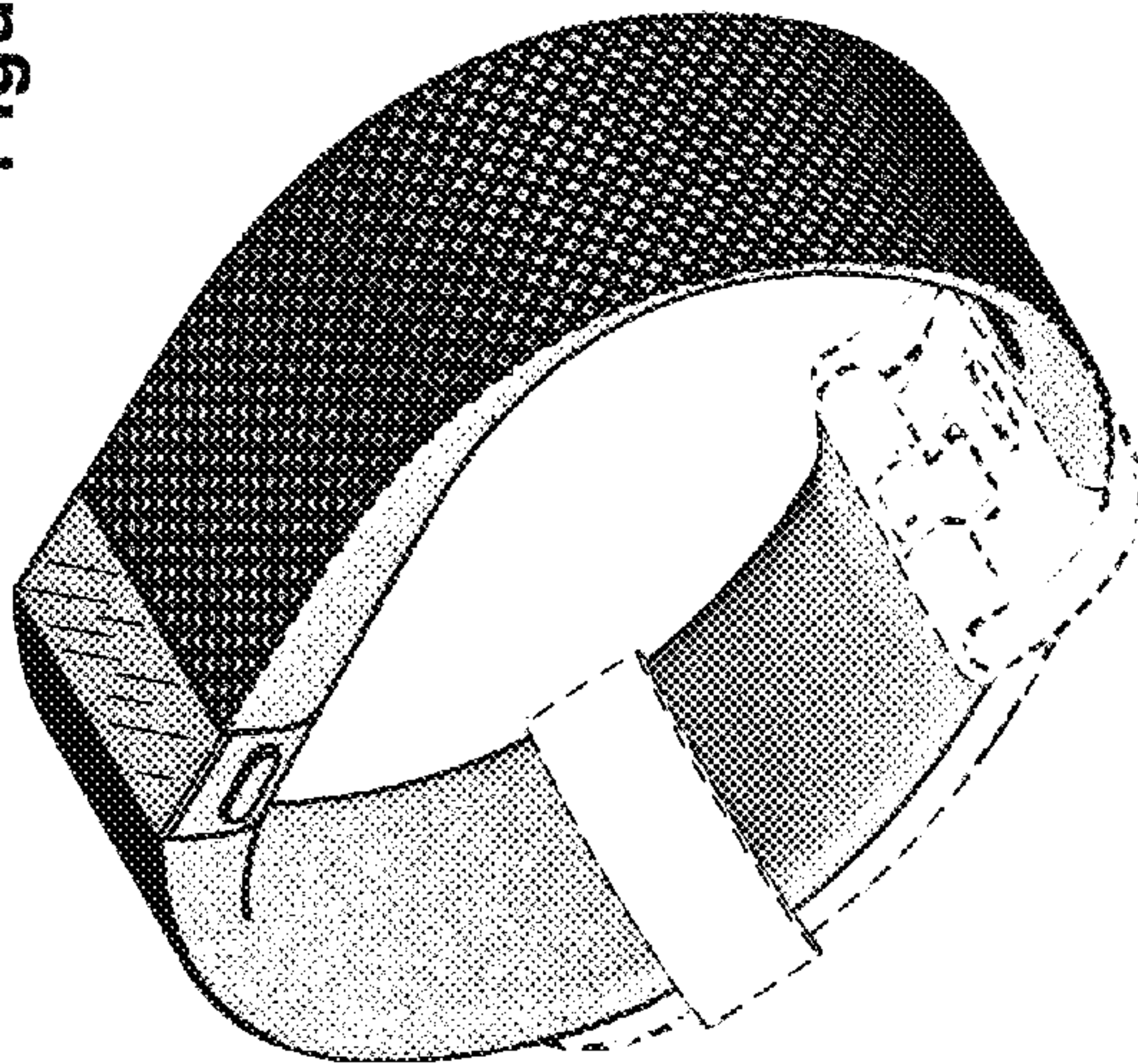


Figure 11

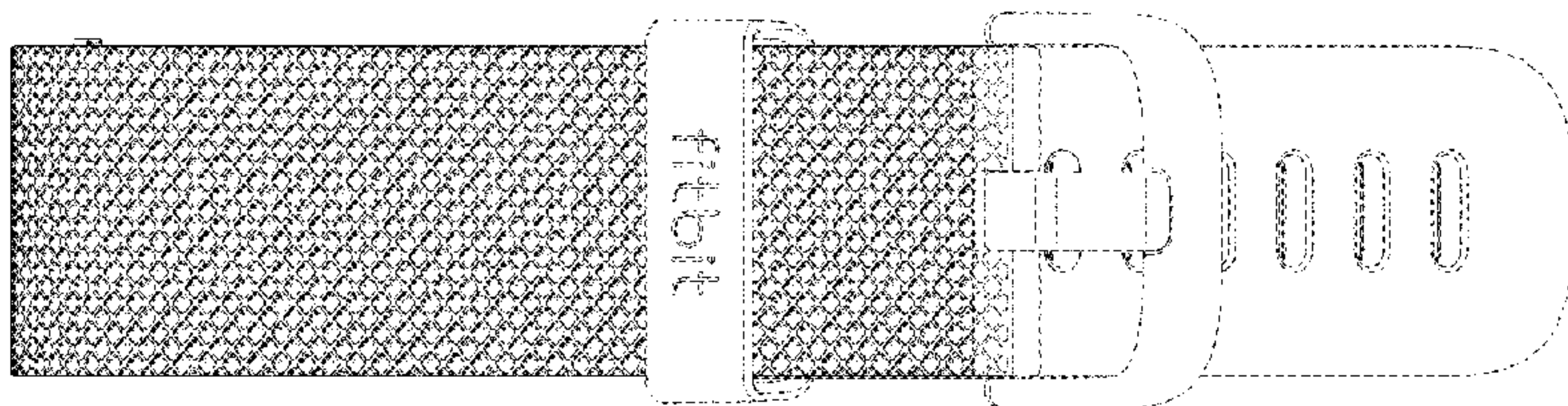


Figure 10

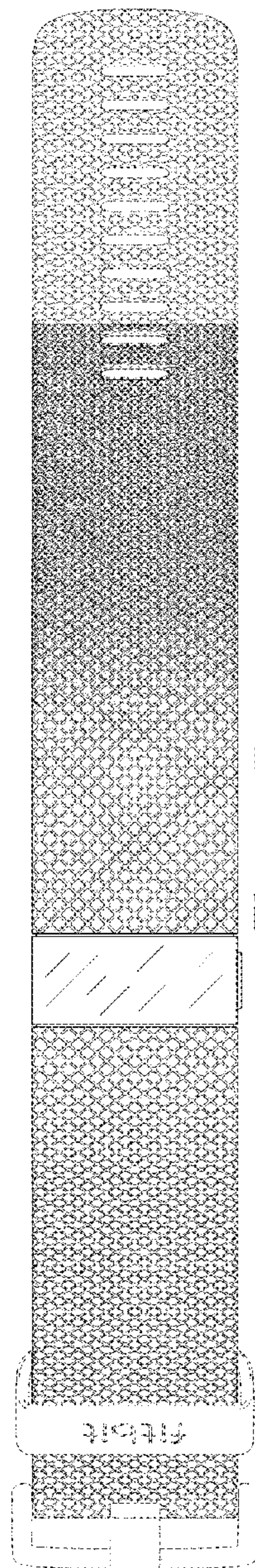


Figure 7

UNITED STATES PATENT AND TRADEMARK OFFICE
CERTIFICATE OF CORRECTION

PATENT NO. : D727,183 S
APPLICATION NO. : 29/498195
DATED : April 21, 2015
INVENTOR(S) : James Park et al.

Page 1 of 1

It is certified that error appears in the above-identified patent and that said Letters Patent is hereby corrected as shown below:

TITLE PAGE

Item 72 in the list of inventors, please correct Inventor Gadi Amit's name to "Gad Amit."

Signed and Sealed this
Eleventh Day of October, 2016



Michelle K. Lee
Director of the United States Patent and Trademark Office