

US00D727177S

(12) **United States Design Patent**  
**Abdourahim**

(10) **Patent No.:** **US D727,177 S**

(45) **Date of Patent:** **\*\* Apr. 21, 2015**

(54) **WATCH**

(71) Applicant: **Harry Winston SA**, Plan-les-Ouates (CH)

(72) Inventor: **Delphine Abdourahim**, Geneva (CH)

(73) Assignee: **Harry Winston SA**, Plan-les-Ouates (CH)

(\*\*) Term: **14 Years**

(21) Appl. No.: **29/501,467**

(22) Filed: **Sep. 4, 2014**

(30) **Foreign Application Priority Data**

Mar. 5, 2014 (WO) ..... DM/083 021

(51) **LOC (10) Cl.** ..... **10-02**

(52) **U.S. Cl.**  
USPC ..... **D10/39**

(58) **Field of Classification Search**  
CPC .... G04B 19/06; G04B 45/0061; G04B 47/04;  
G04B 45/00  
USPC ..... D10/30-39, 122-132; 368/276, 281,  
368/282, 223, 228, 232, 233  
See application file for complete search history.

(56) **References Cited**

**U.S. PATENT DOCUMENTS**

2,724,235 A \* 11/1955 Bauerle ..... 368/126  
3,570,239 A \* 3/1971 Charles ..... 368/11  
5,255,248 A \* 10/1993 Goodmon ..... 368/228  
D459,241 S \* 6/2002 Bodino ..... D10/32  
D474,118 S \* 5/2003 Monachon ..... D10/32

D508,860 S \* 8/2005 Plan ..... D10/39  
D512,923 S \* 12/2005 Bolt et al. .... D10/39  
D526,218 S \* 8/2006 Krieger ..... D10/39  
7,134,783 B2 \* 11/2006 Schmiedchen et al. .... 368/190  
D548,625 S \* 8/2007 Schoepfer ..... D10/39  
D570,230 S \* 6/2008 Monachon ..... D10/32  
D592,980 S \* 5/2009 Laucella ..... D10/39  
D593,880 S \* 6/2009 Laucella ..... D10/39  
D627,243 S \* 11/2010 Deleskiewicz et al. .... D10/39  
D649,481 S \* 11/2011 Crocco ..... D10/39  
D693,244 S \* 11/2013 Duport et al. .... D10/39  
D704,574 S \* 5/2014 Lasserre ..... D10/39  
D705,085 S \* 5/2014 Monachon ..... D10/34  
D705,667 S \* 5/2014 Cerrato ..... D10/32

\* cited by examiner

*Primary Examiner* — Lucy Lieberman

(74) *Attorney, Agent, or Firm* — Donald J. Ranft; Kristen A. Mogavero; Collen IP

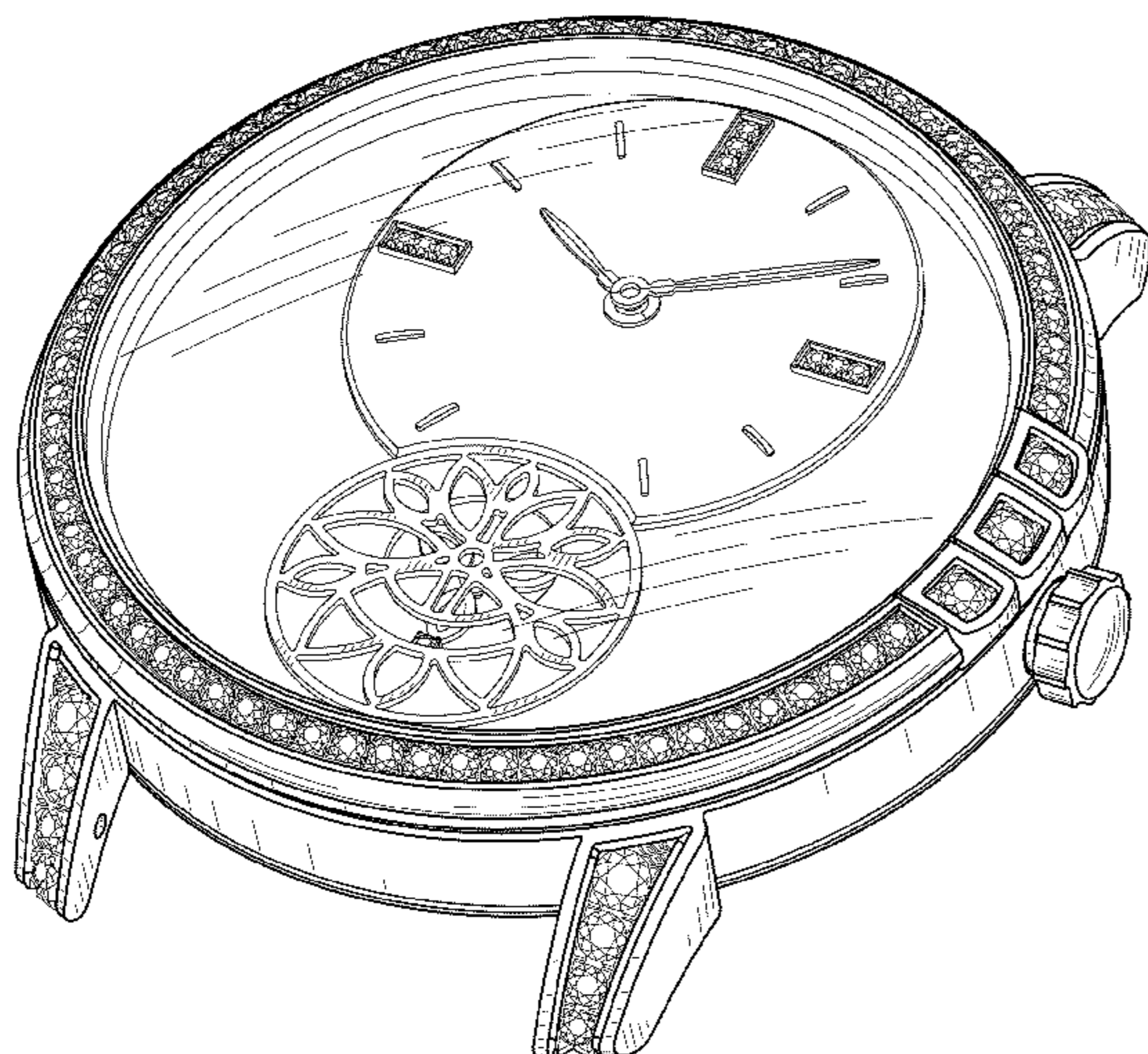
(57) **CLAIM**

The ornamental design for a watch, as shown.

**DESCRIPTION**

FIG. 1 is a front right perspective view of a watch showing my new design;  
FIG. 2 is a rear right perspective view thereof;  
FIG. 3 is a front view thereof;  
FIG. 4 is a rear view thereof;  
FIG. 5 is a left side view thereof;  
FIG. 6 is a right side view thereof;  
FIG. 7 is a top view thereof;  
FIG. 8 is a bottom view thereof;  
FIG. 9 is a front left perspective view thereof; and,  
FIG. 10 is a rear left perspective view thereof.

**1 Claim, 8 Drawing Sheets**





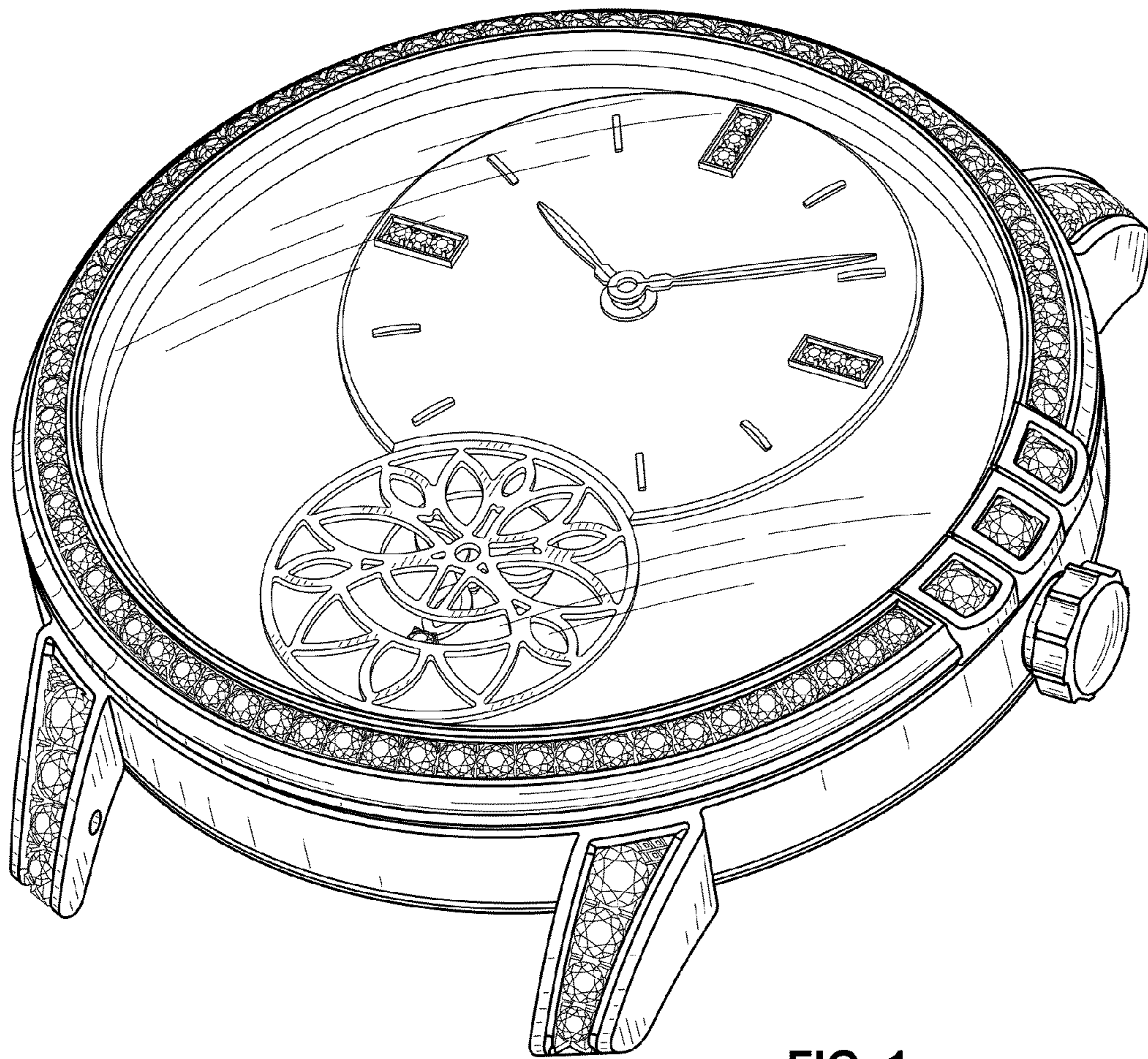


FIG. 1

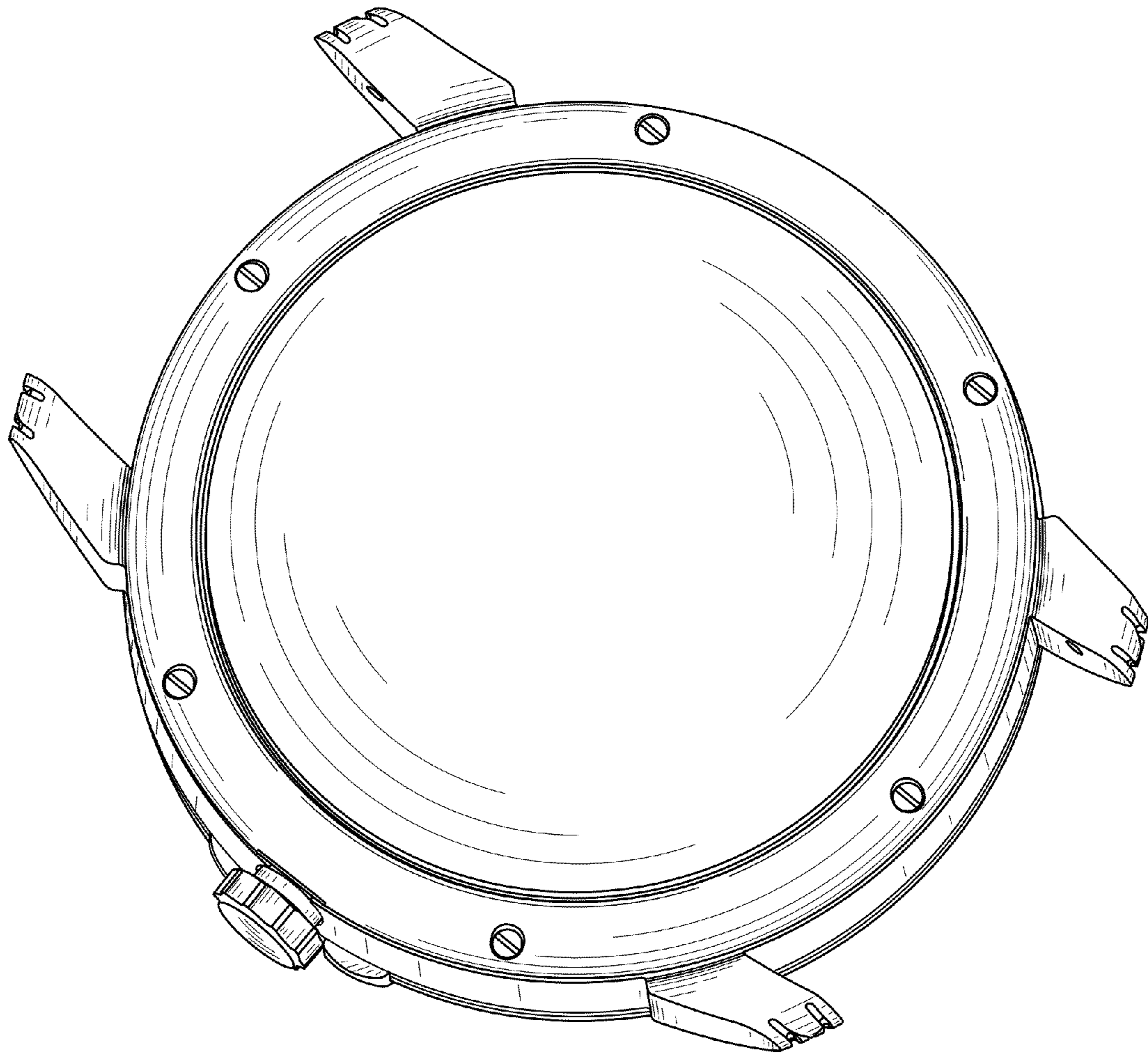


FIG. 2



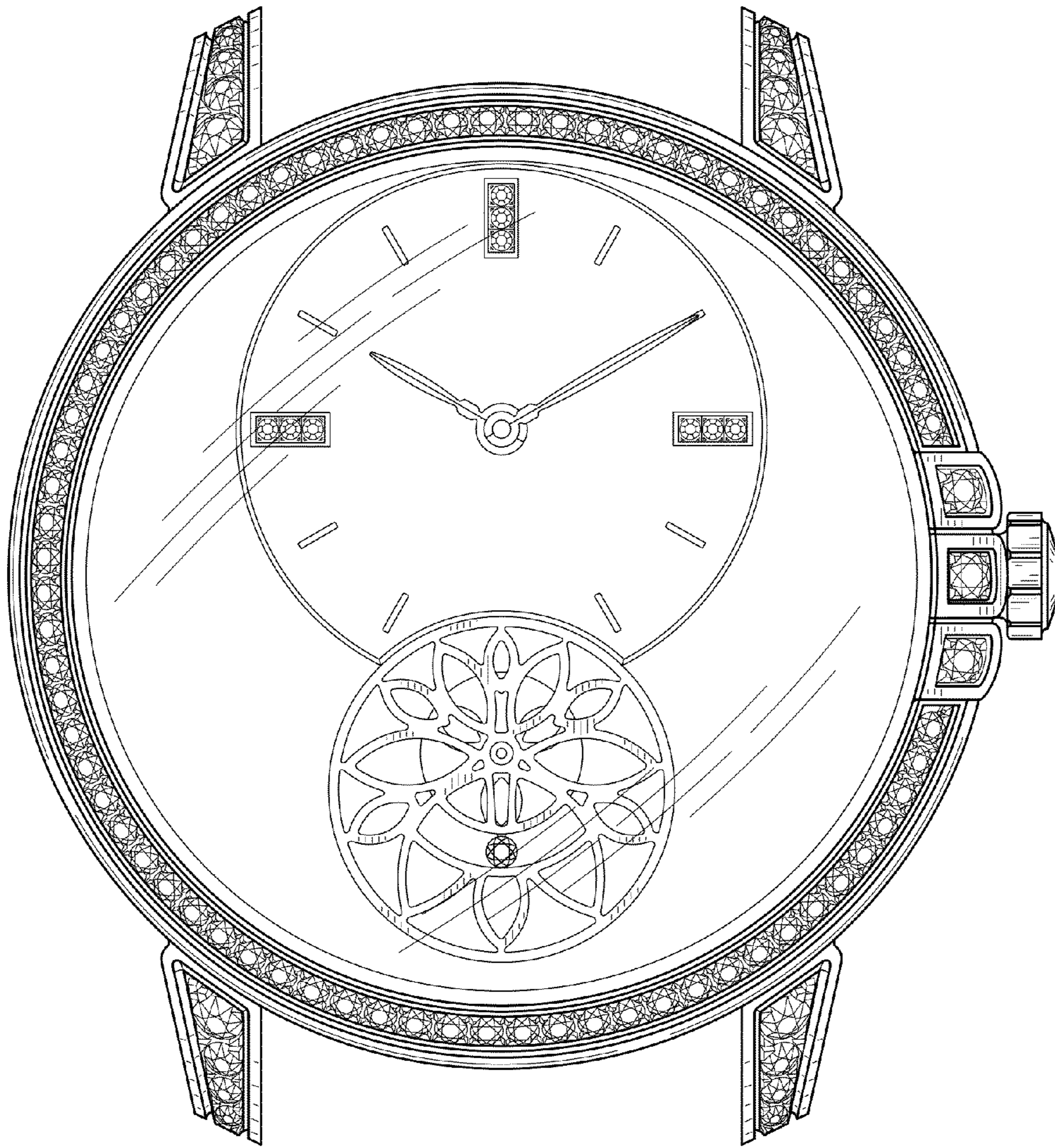


FIG. 3

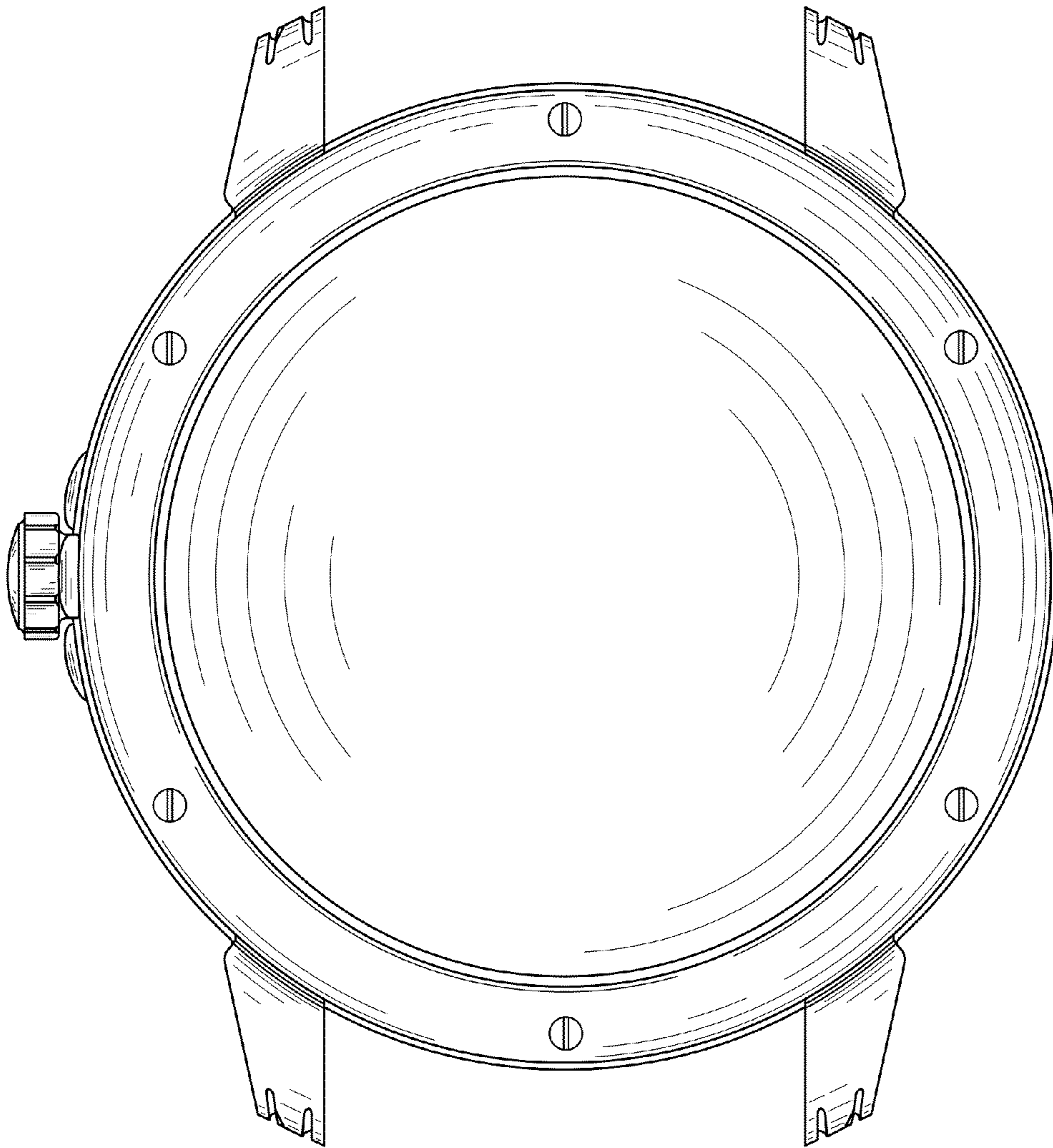


FIG. 4

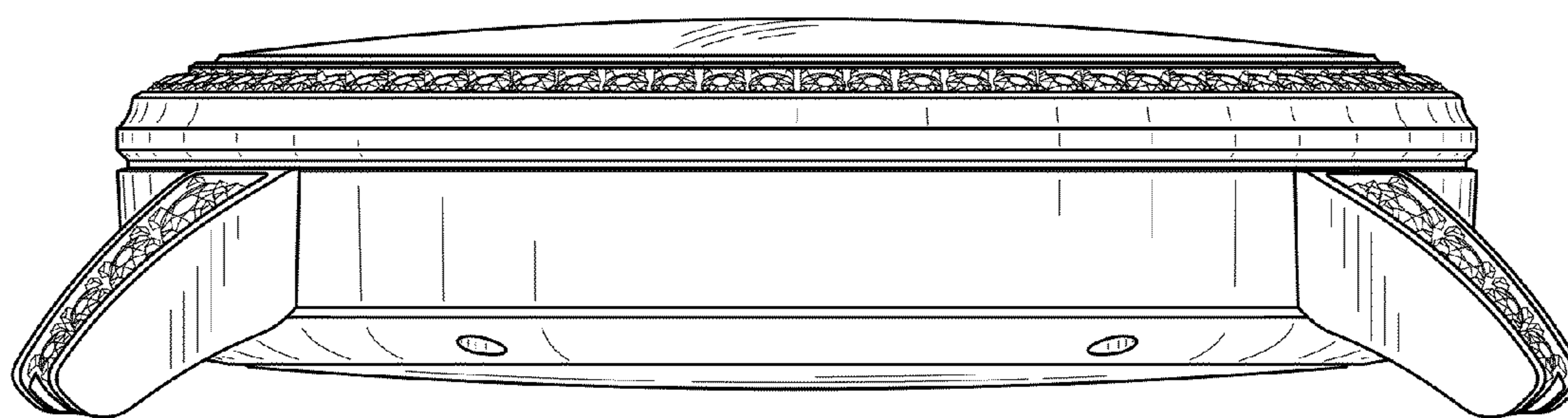


FIG. 5

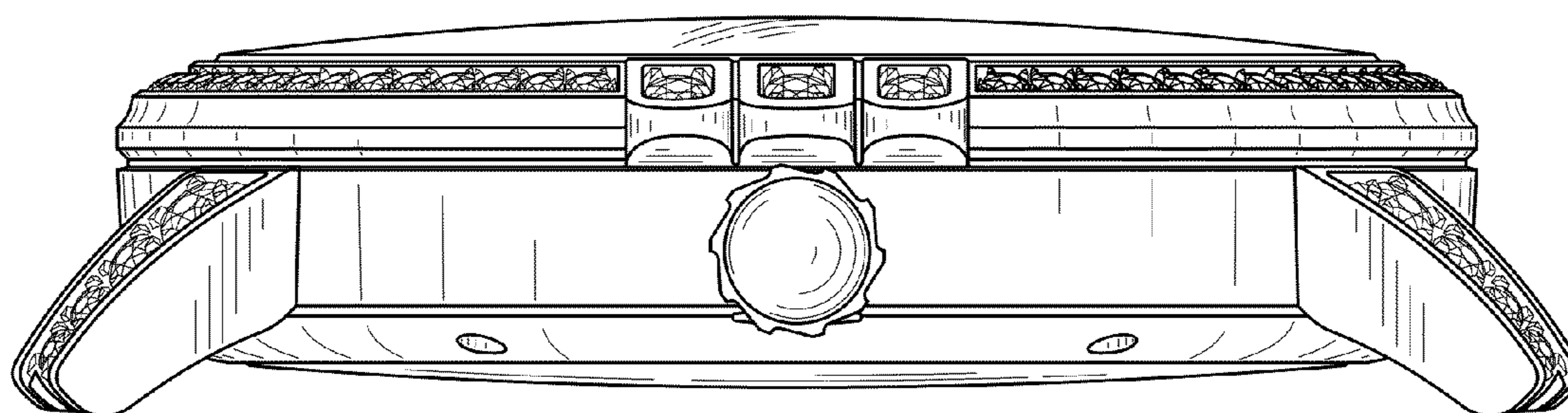


FIG. 6



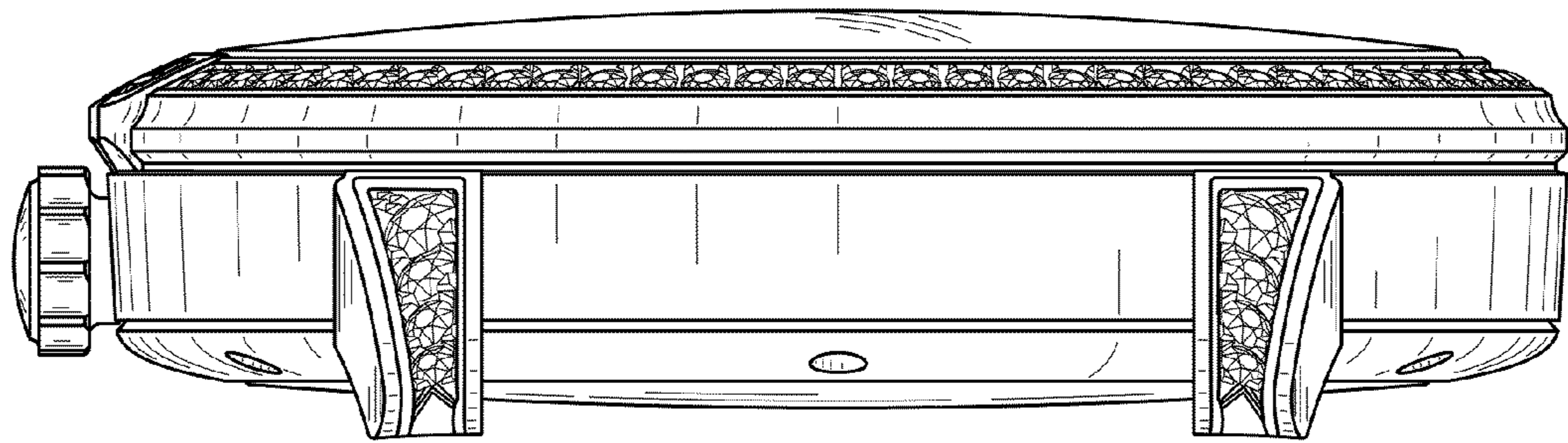


FIG. 7

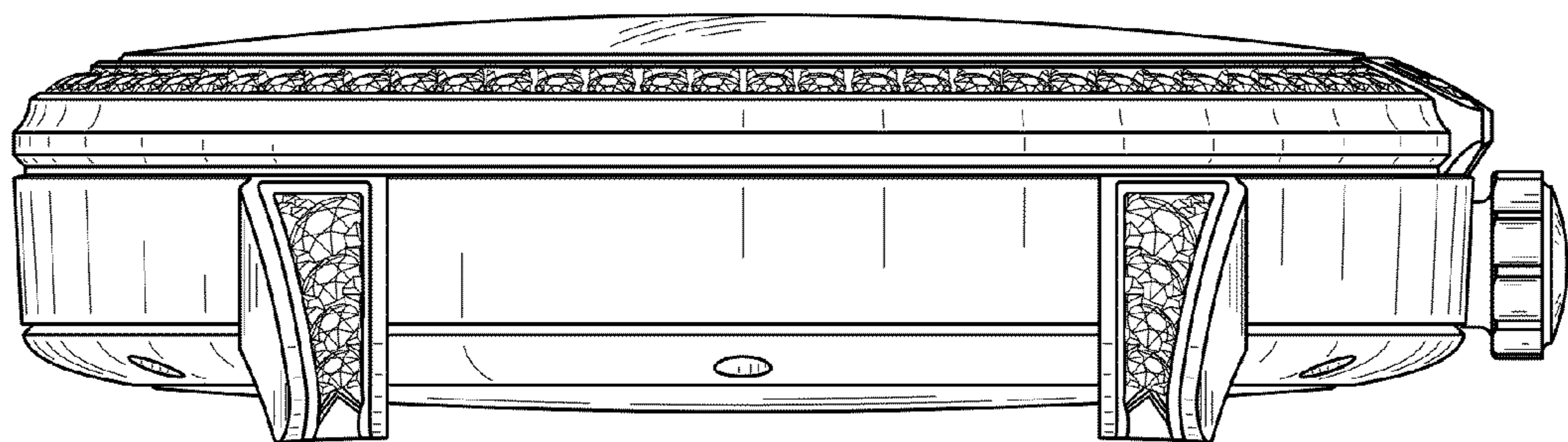


FIG. 8

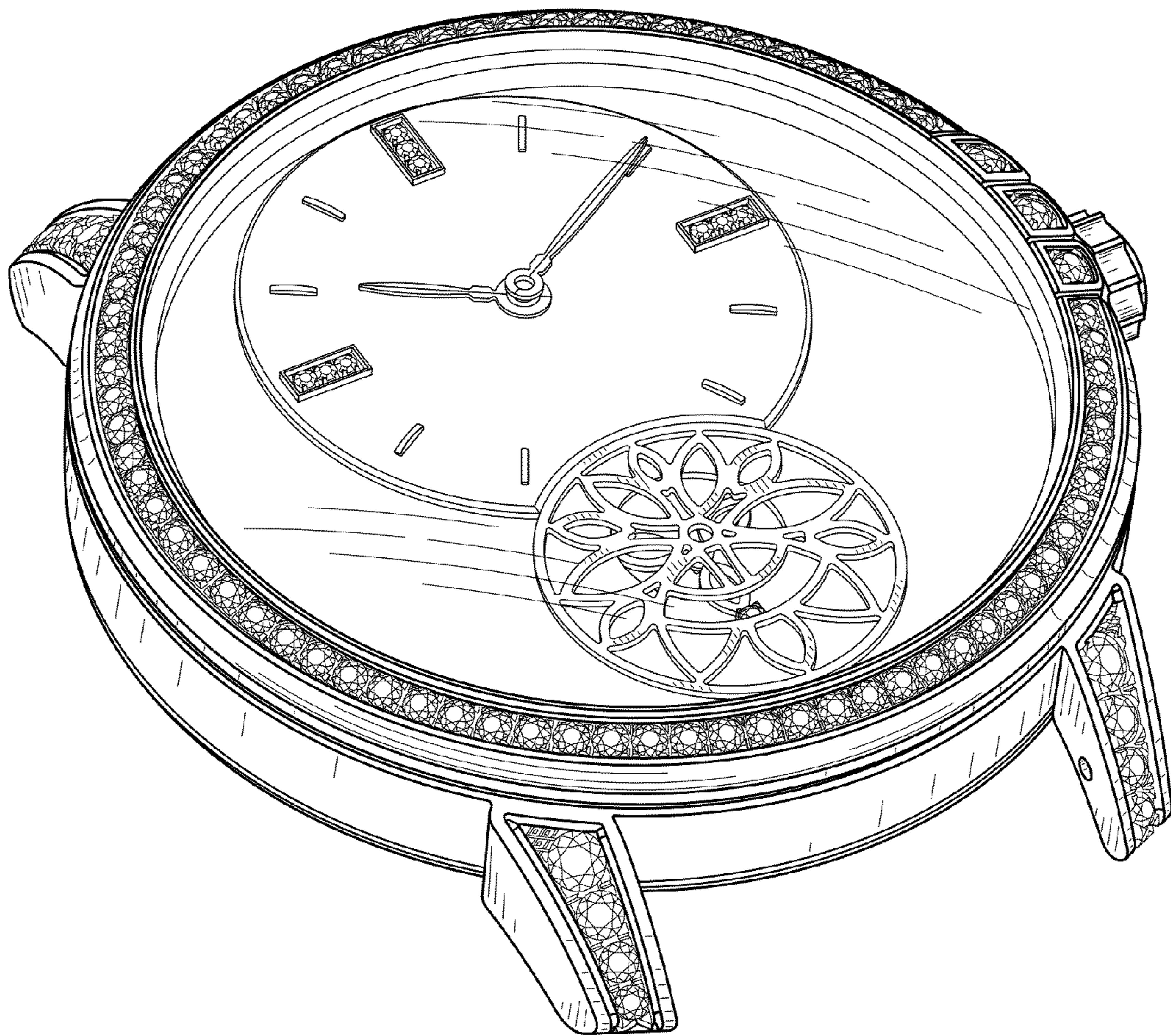


FIG. 9



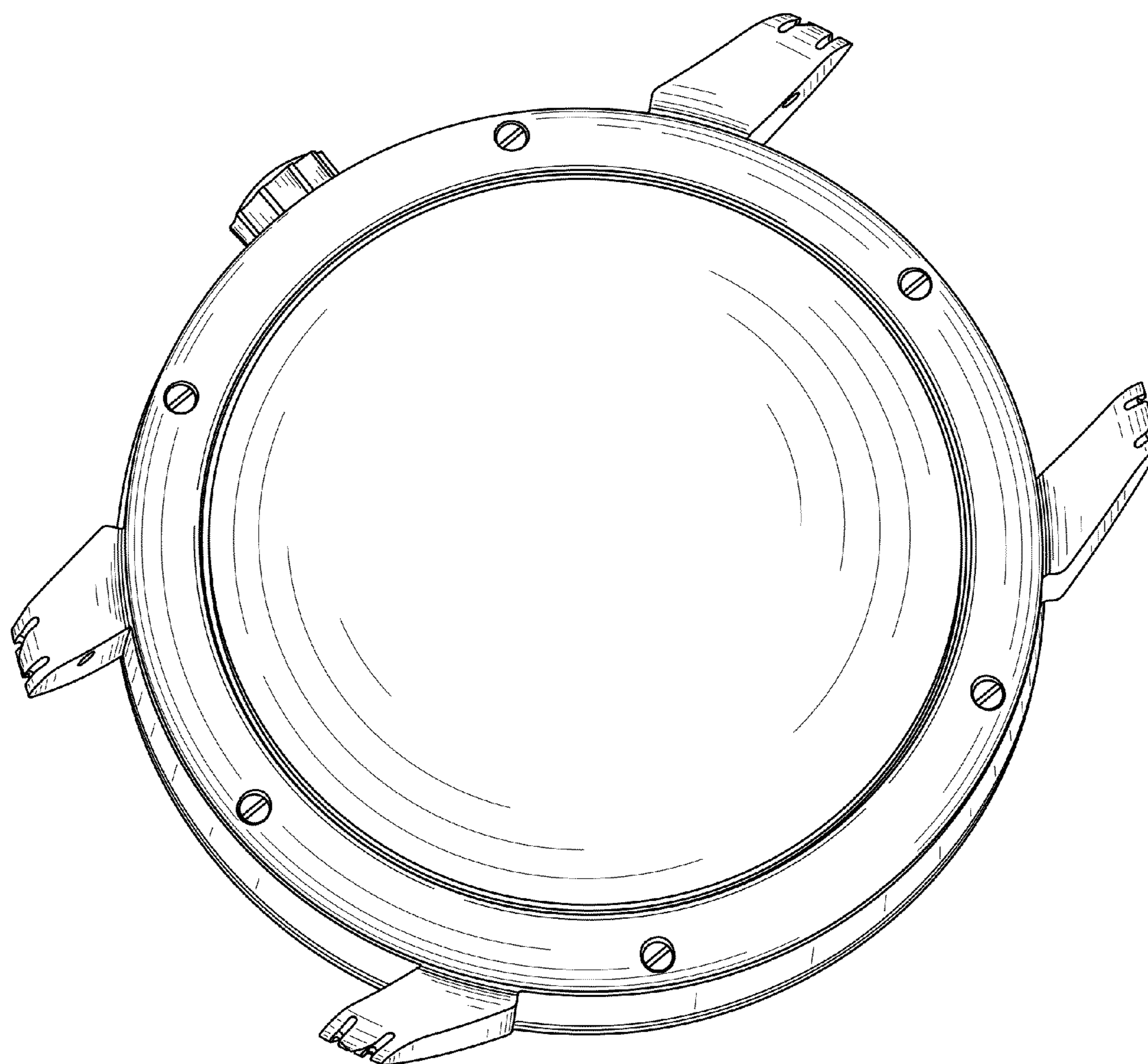


FIG. 10