



US00D727176S

(12) **United States Design Patent**
Laucella

(10) **Patent No.:** **US D727,176 S**
(45) **Date of Patent:** **** Apr. 21, 2015**

(54) **WATCH**
(71) Applicant: **Montres Breguet SA, L'Abbaye (CH)**
(72) Inventor: **Vincent Laucella, Le Brassus (CH)**
(73) Assignee: **Montres Breguet SA, L'Abbaye (CH)**
(**) Term: **14 Years**
(21) Appl. No.: **29/500,042**
(22) Filed: **Aug. 21, 2014**

(30) **Foreign Application Priority Data**

Feb. 21, 2014 (WO) DM/082 911

(51) **LOC (10) CL.** **10-02**
(52) **U.S. CL.**
USPC **D10/39**

(58) **Field of Classification Search**
CPC G04B 37/00; G04B 47/04; G04B 45/0076;
G04B 19/06
USPC D10/30-39, 122-132; 368/276, 282,
368/281, 285, 223, 228, 232
See application file for complete search history.

(56) **References Cited**

U.S. PATENT DOCUMENTS

D502,120 S * 2/2005 Nataf D10/126
D561,050 S * 2/2008 Laucella D10/39
D562,704 S * 2/2008 Lalo D10/32
D572,607 S * 7/2008 Emch Ducommun D10/32
D576,065 S * 9/2008 Vaptzarof D10/126
D623,977 S * 9/2010 Cole D10/126

D629,312 S * 12/2010 Laucella D10/39
D632,602 S * 2/2011 Vaptzarof D10/126
D638,724 S * 5/2011 Laucella D10/39
D692,781 S * 11/2013 Dolce et al. D10/39
D697,435 S * 1/2014 Duport et al. D10/39
2003/0189875 A1 * 10/2003 Wilmouth 368/17

OTHER PUBLICATIONS

Wristwatch Annual, the Catalog of Producers, Prices, Models and Specificaiton, 2008, Abbeville Press Publishers, p. 137, Breguet Reine de Naples watch No. 8928 BB 51 844 DD0D.*

* cited by examiner

Primary Examiner — Lucy Lieberman

(74) *Attorney, Agent, or Firm* — Donald J. Ranft; Kristen A. Mogavero; Collen IP

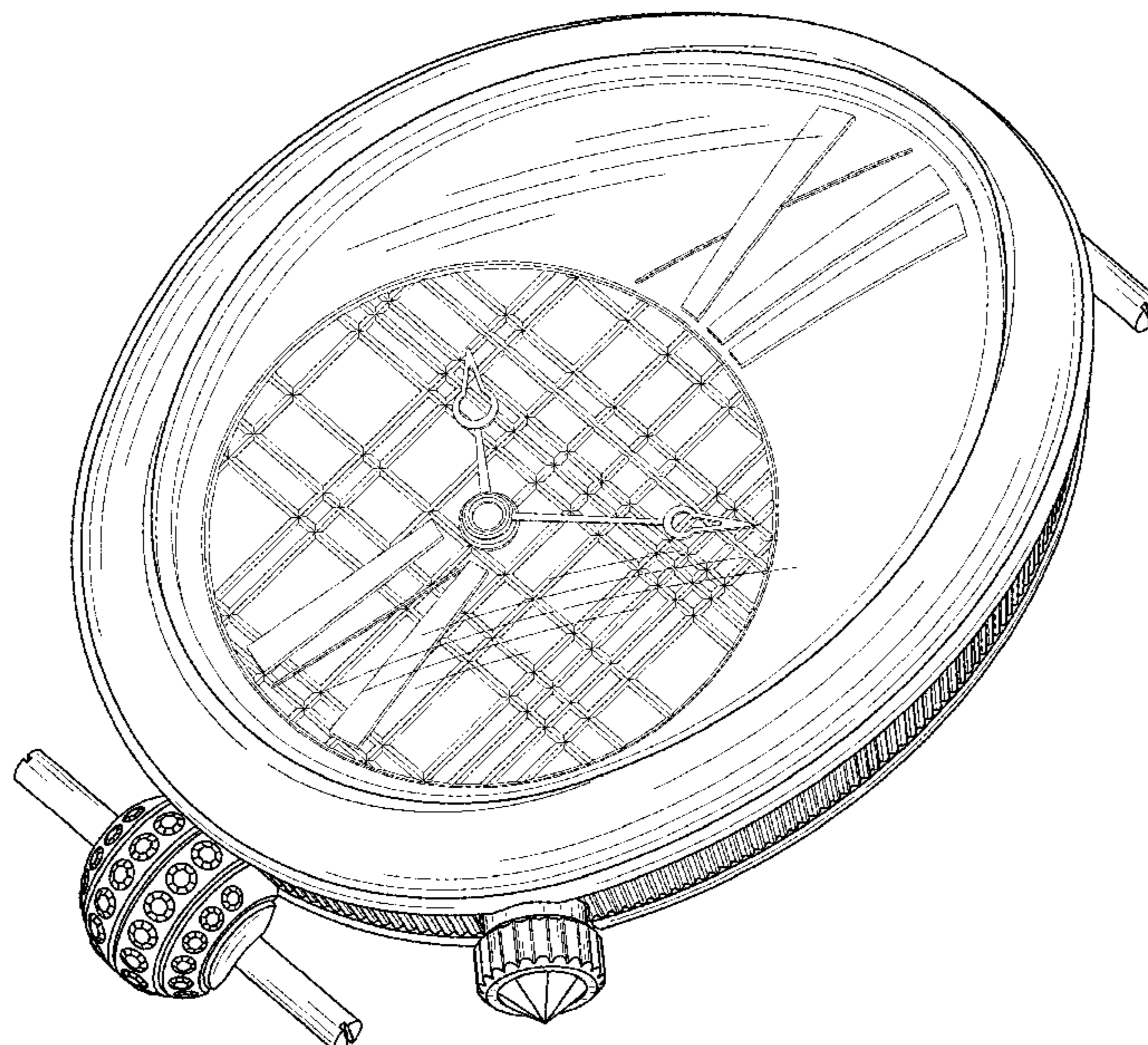
(57) **CLAIM**

I claim the ornamental design for a watch, as shown.

DESCRIPTION

FIG. 1 is a front right perspective view of a watch showing my new design;
FIG. 2 is a rear left perspective view thereof;
FIG. 3 is a front view thereof;
FIG. 4 is a rear view thereof;
FIG. 5 is a left side view thereof;
FIG. 6 is a right side view thereof;
FIG. 7 is a top view thereof;
FIG. 8 is a bottom view thereof;
FIG. 9 is a front left perspective view thereof; and,
FIG. 10 is a rear right perspective view thereof.

1 Claim, 8 Drawing Sheets



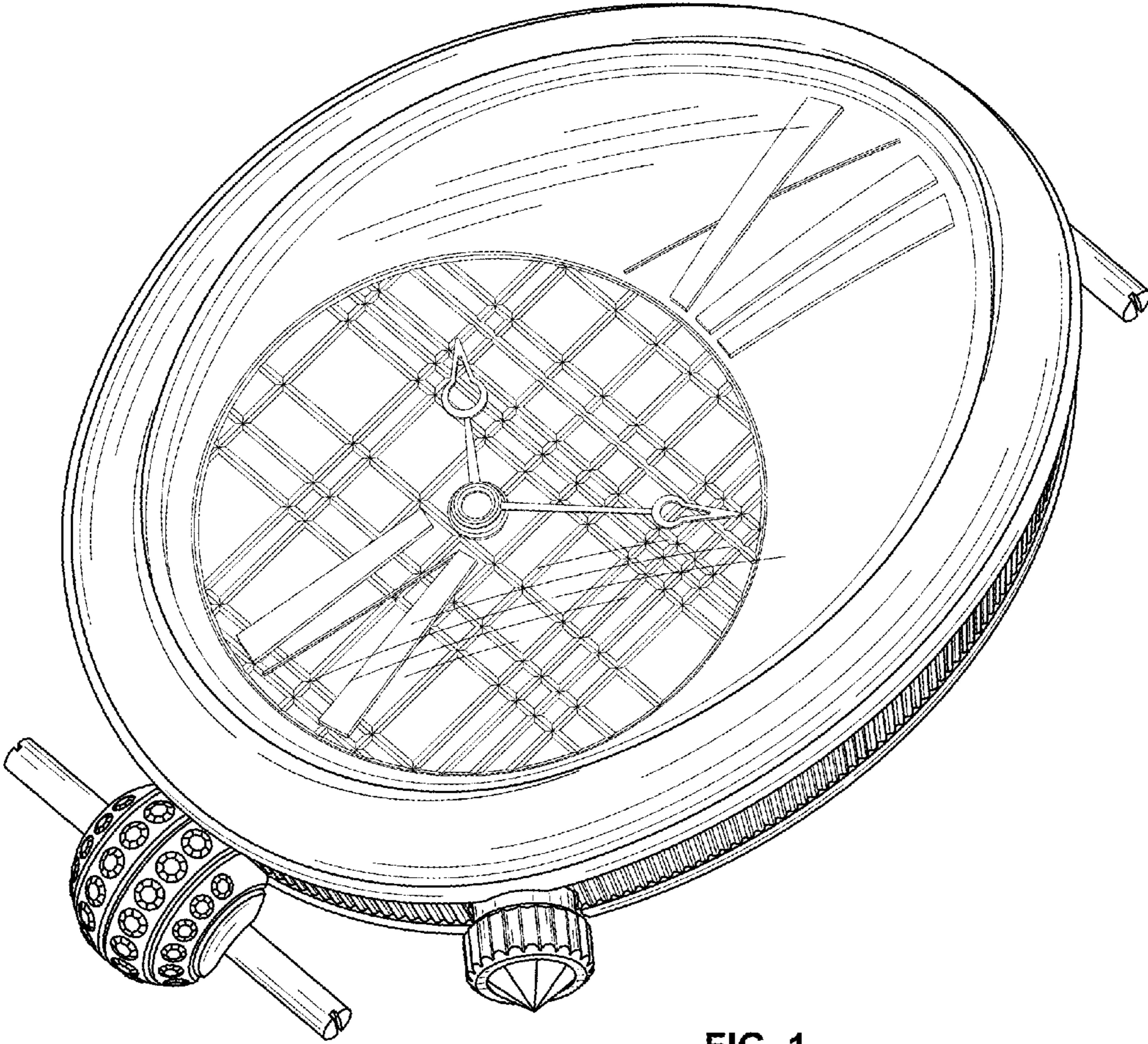


FIG. 1

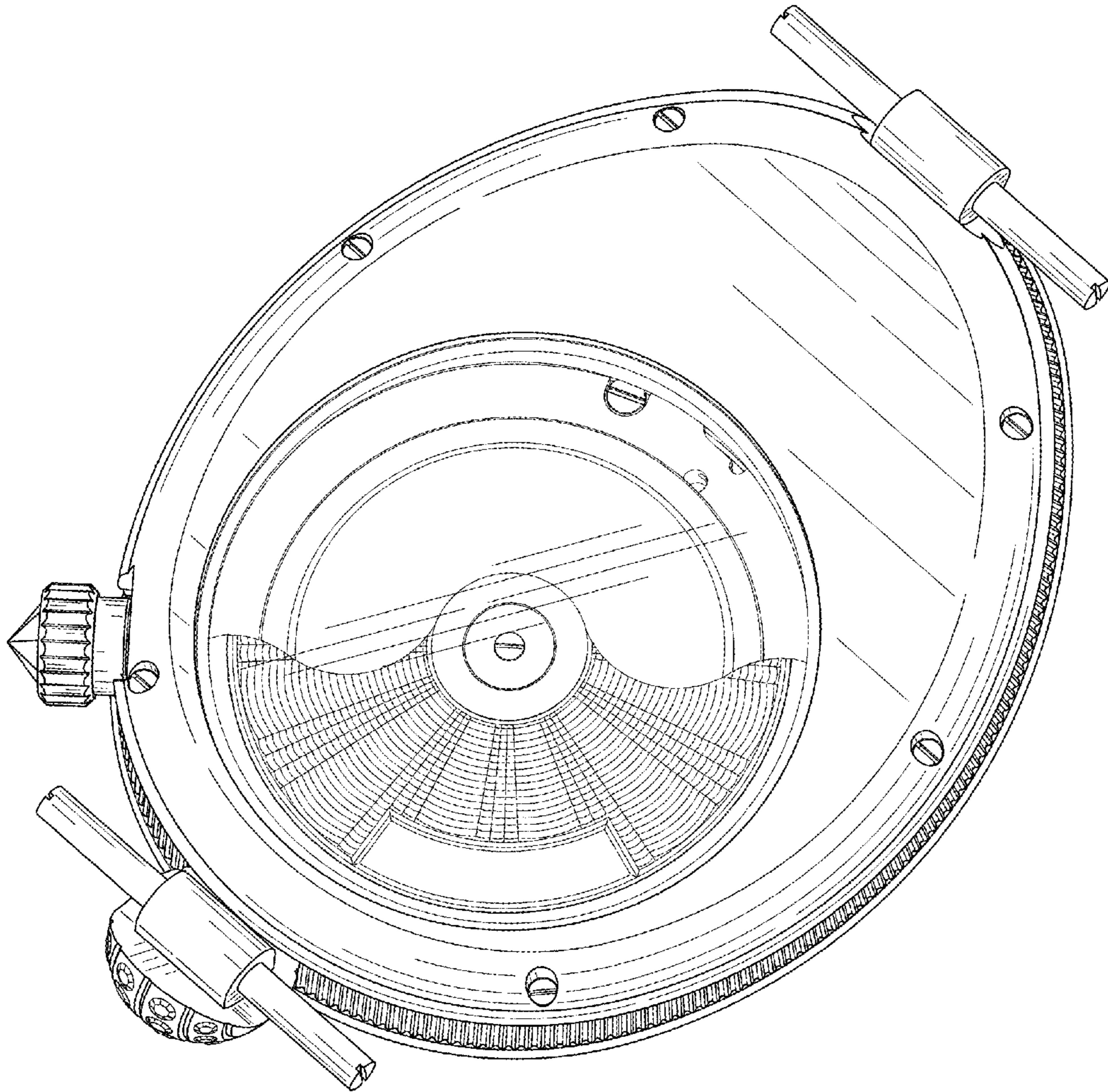


FIG. 2

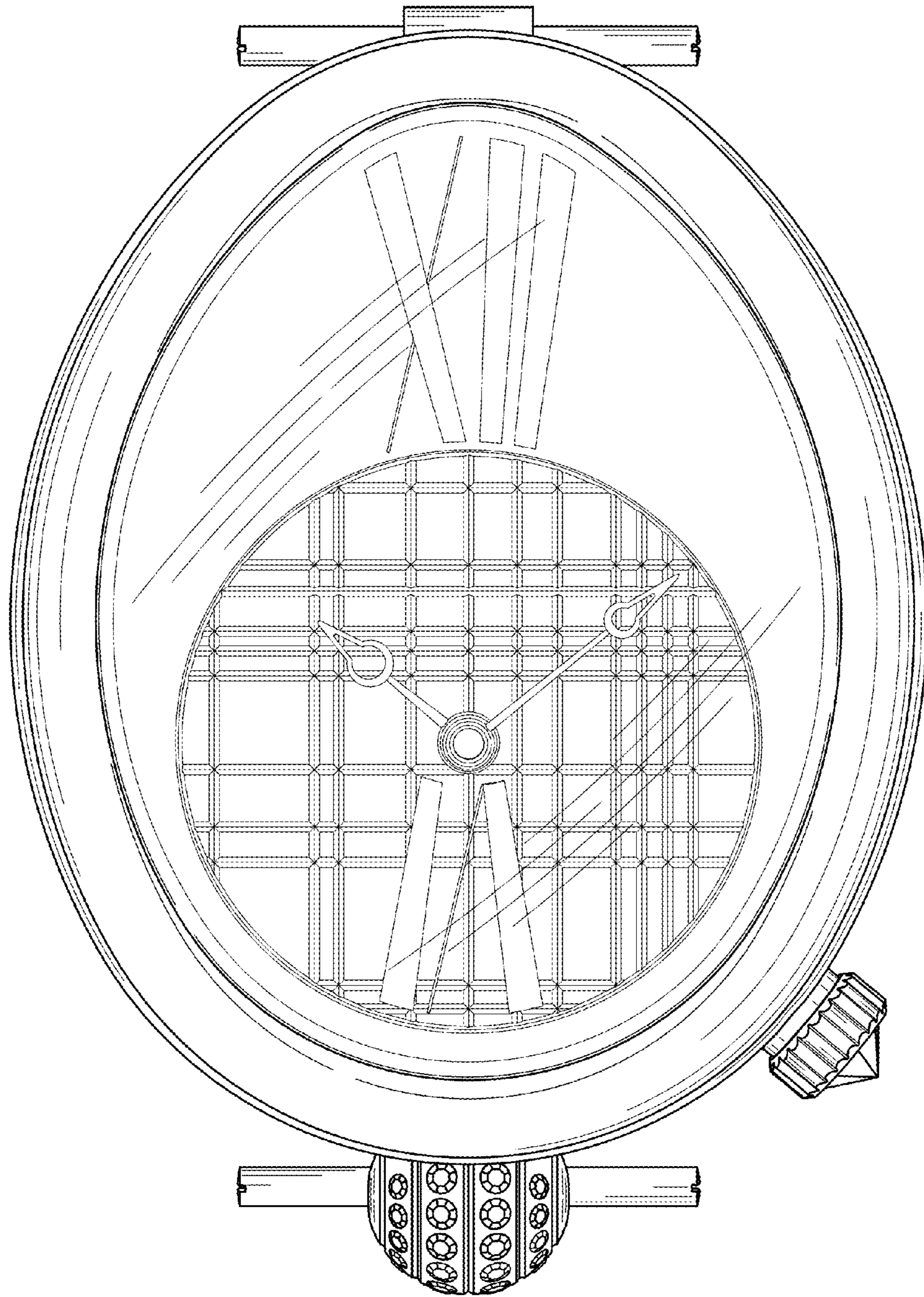


FIG. 3

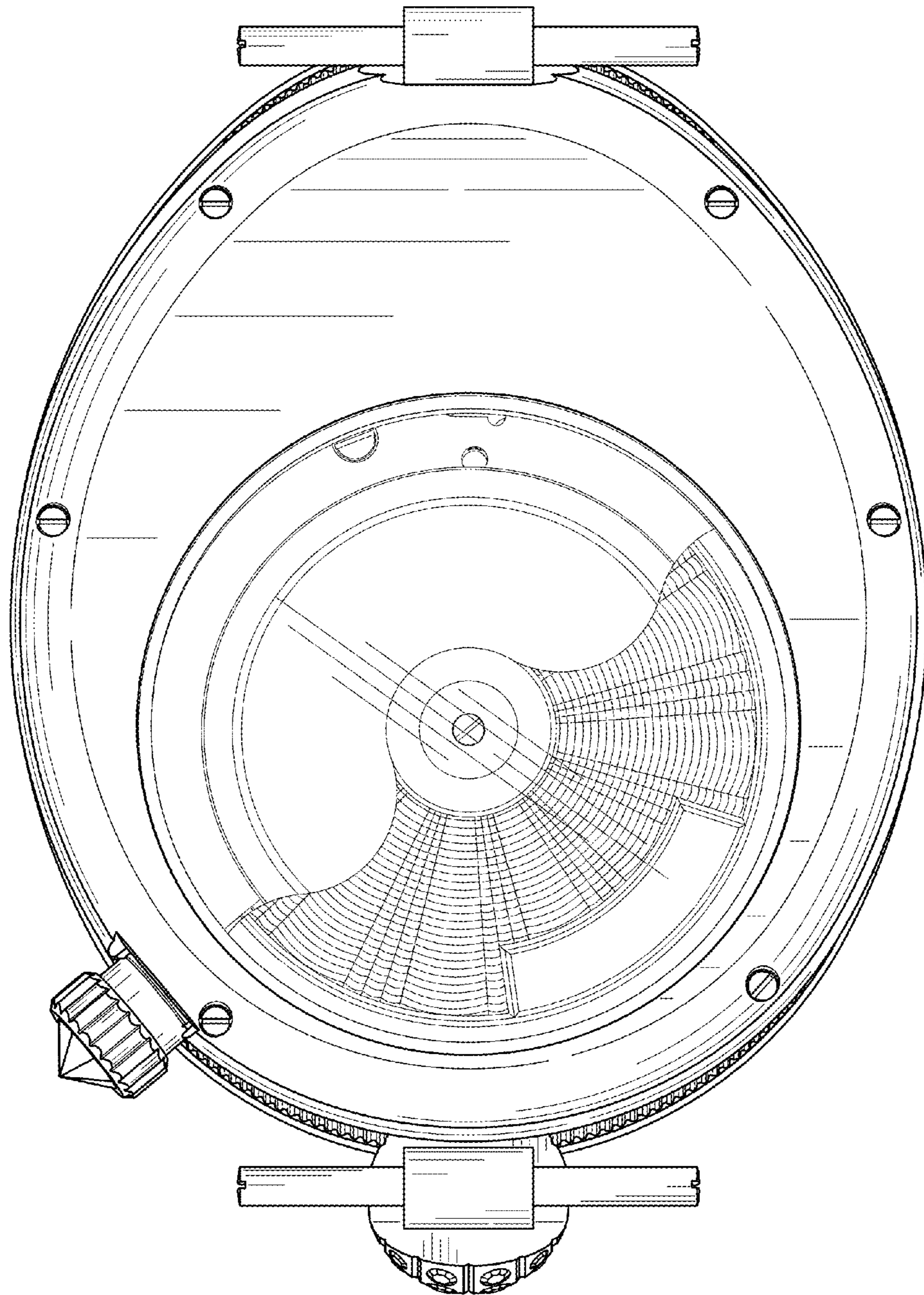


FIG. 4

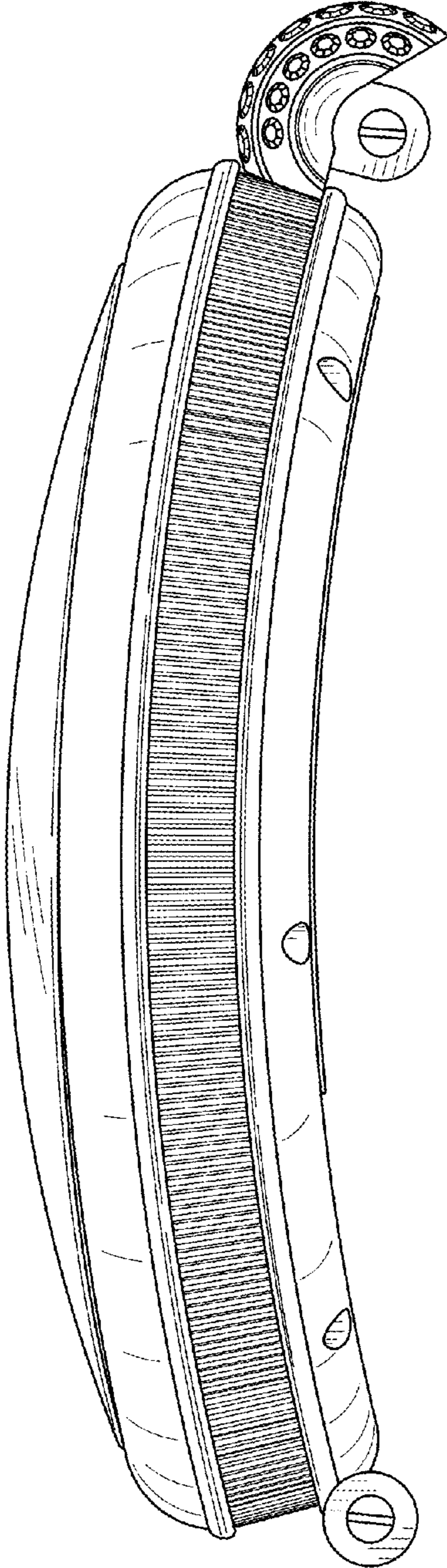


FIG. 5

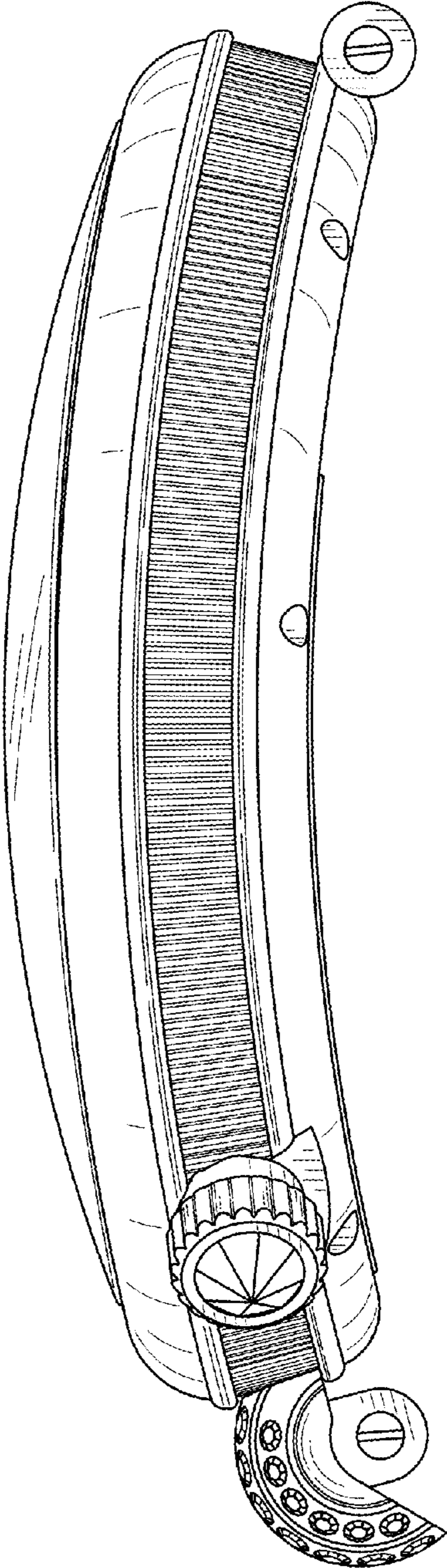


FIG. 6

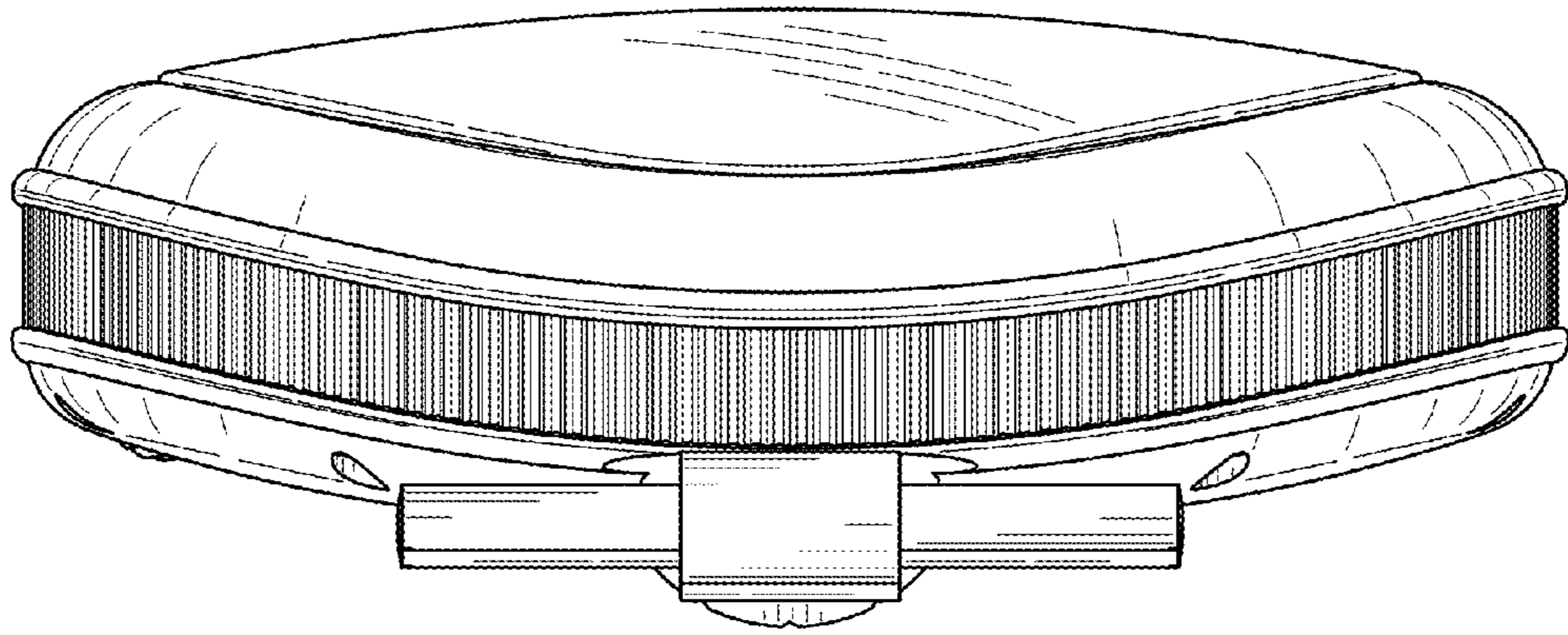


FIG. 7

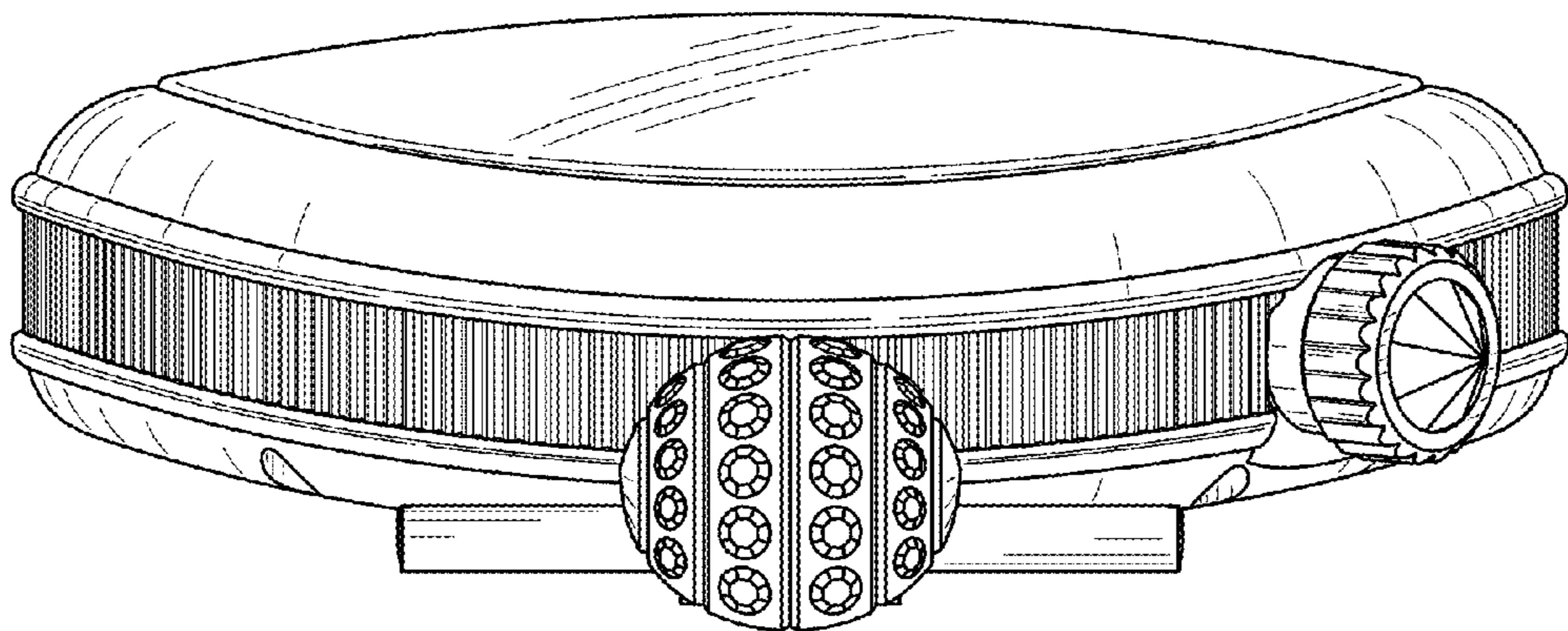


FIG. 8

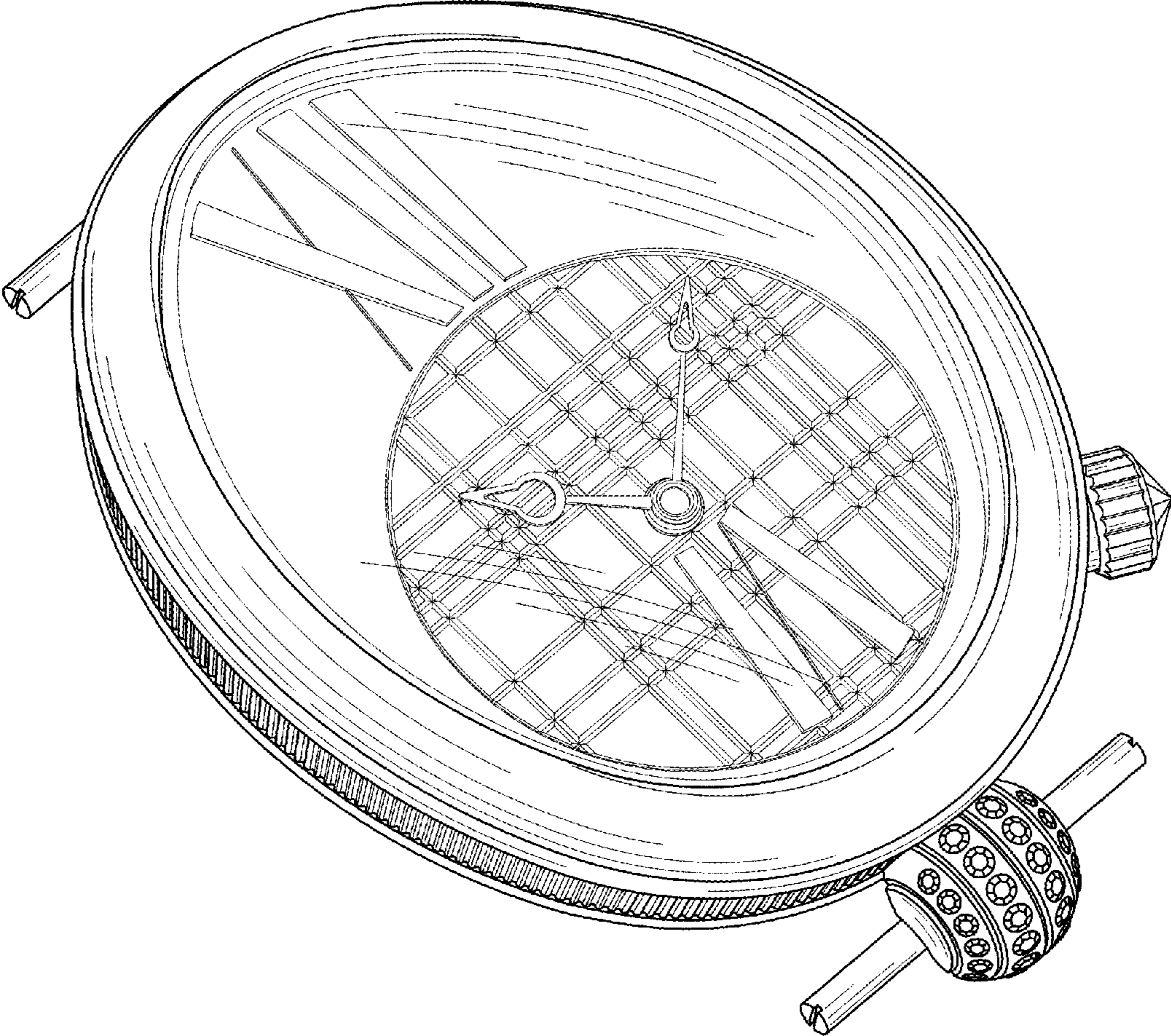


FIG. 9

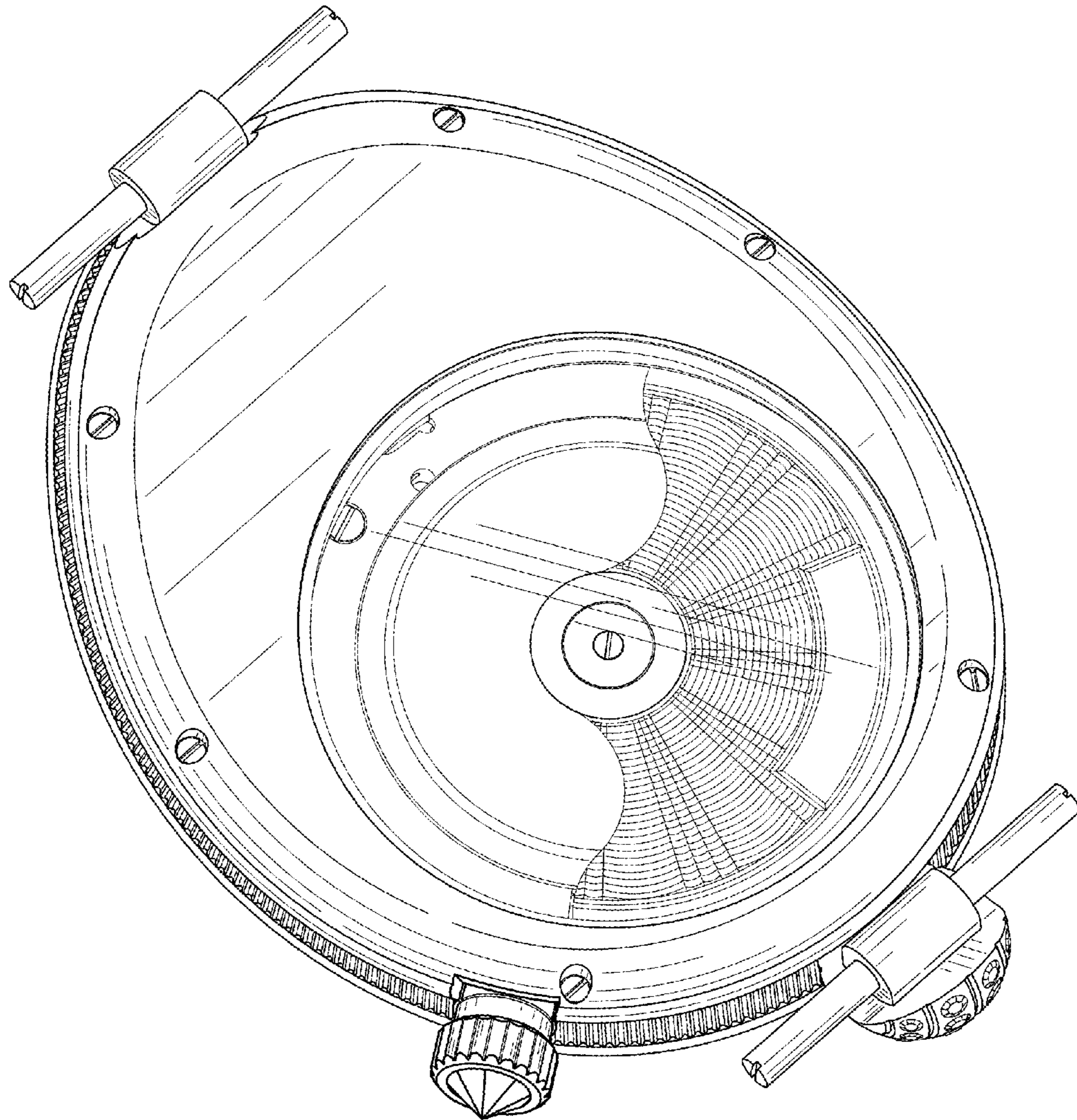


FIG. 10