



US00D727170S

(12) **United States Design Patent**
Lokey et al.

(10) **Patent No.:** **US D727,170 S**
(45) **Date of Patent:** **** Apr. 21, 2015**

(54) **GARBAGE BAG PACKAGING AND DISPENSER**

(71) Applicant: **Mom-Eez, LLC**, Newtown, CT (US)

(72) Inventors: **Stacey Lokey**, Newtown, CT (US);
Carolyn Caplik, Oxford, CT (US)

(73) Assignee: **Mom-Eez, LLC**, Newtown, CT (US)

(**) Term: **14 Years**

(21) Appl. No.: **29/451,331**

(22) Filed: **Apr. 1, 2013**

(51) **LOC (10) Cl.** **09-01**

(52) **U.S. Cl.**
USPC **D9/734**; D9/415

(58) **Field of Classification Search**

CPC B65D 83/0805; B65D 83/0594; B65D 83/08; B65D 83/0817; B65D 83/0811; B65D 83/0835; B65D 83/00; B65D 83/0852; B65D 83/0876; B65D 85/16; B65D 85/00; B65D 75/5838; B65D 75/5833; B65D 75/522; B65D 75/58; B65D 75/56; B65D 75/32; B65D 75/46; B65D 75/366; B65D 5/4208; B65D 5/4204; B65D 5/72; B65D 81/22; B65D 77/24; B65D 77/06; B65D 77/003; B65D 2543/00296; B65D 2543/00194; A47K 10/427; A47K 10/42; A47K 10/426; A47K 10/44; A47K 10/38; A47K 10/22; A47K 10/24; A47K 10/18; A47K 2010/3206
USPC D9/414, 415, 418, 420, 421, 423, 424, D9/425, 707, 702, 709, 710, 711, 730, 734, D9/737; D7/540, 542, 601; D3/20, 201, D3/203.5, 203.6, 205, 215, 273, 274, 294, D3/295; D28/73, 76, 77, 83; D6/515, 518,

D6/519; 206/38, 225, 226, 233, 440, 581;
221/36, 38, 42, 45-54, 56, 61

See application file for complete search history.

(56) **References Cited**

U.S. PATENT DOCUMENTS

1,646,100	A	*	10/1927	Ordway	206/225
4,903,837	A	*	2/1990	Duello	206/440
D363,022	S	*	10/1995	Krupa et al.	D9/415
D580,786	S	*	11/2008	McElaney et al.	D9/734
D583,226	S	*	12/2008	Vanhoutte	D9/420
D640,058	S	*	6/2011	Molina	D3/294
D647,340	S	*	10/2011	Stephens	D6/518
D668,537	S	*	10/2012	Sanfilippo	D9/425
2008/0142379	A1	*	6/2008	Gnatenko	206/38

* cited by examiner

Primary Examiner — Derrick Holland

Assistant Examiner — Lauren Calve

(74) *Attorney, Agent, or Firm* — Fincham Downs, LLC;
Carson C. K. Fincham

(57) **CLAIM**

The ornamental design for a garbage bag packaging and dispenser, as shown and described.

DESCRIPTION

FIG. 1 is a top-front perspective view of a garbage bag packaging and dispenser according to the new design;

FIG. 2 is a front view thereof;

FIG. 3 is a back view thereof;

FIG. 4 is a top view thereof;

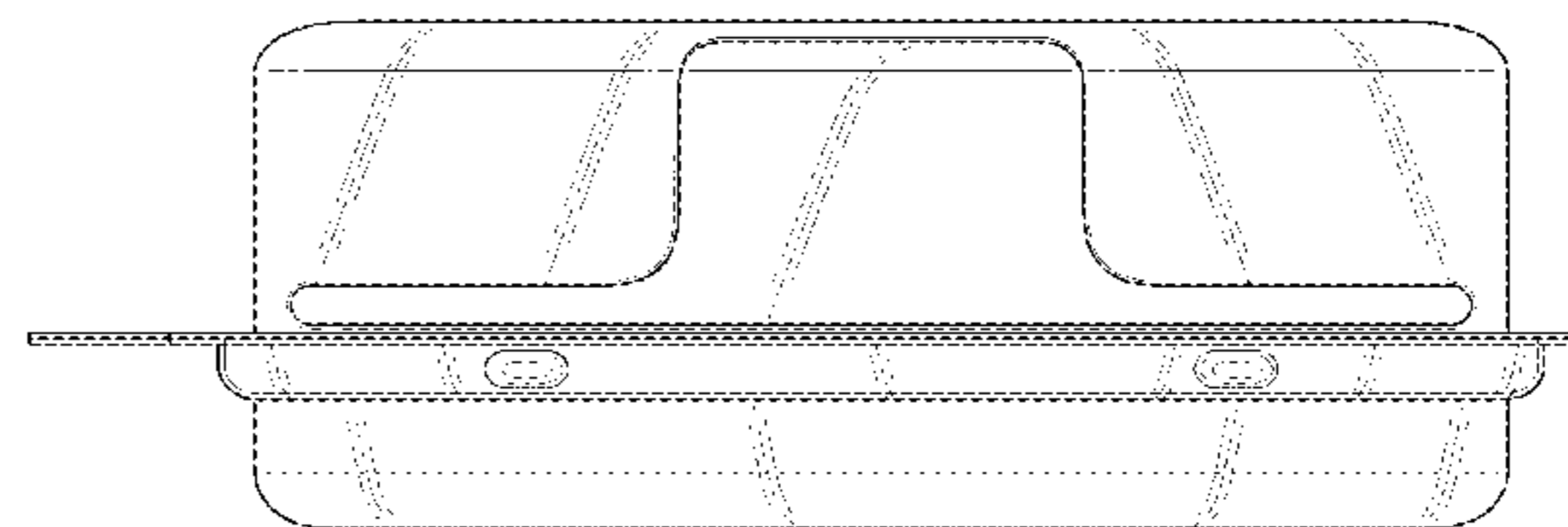
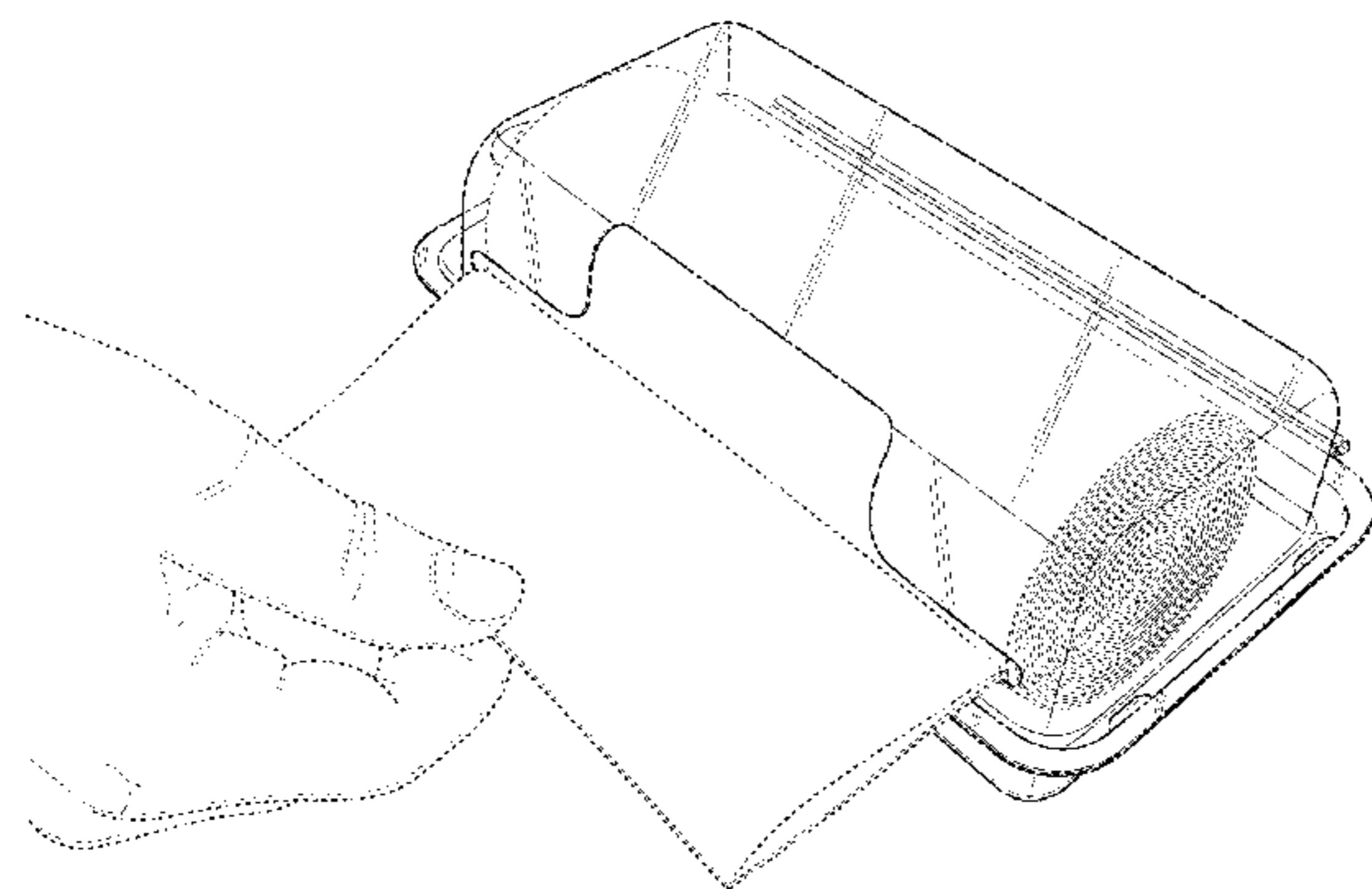
FIG. 5 is a bottom view thereof;

FIG. 6 is a left side view thereof; and,

FIG. 7 is a right side view thereof.

The broken lines shown represent unclaimed subject matter and form no part of the claimed design.

1 Claim, 5 Drawing Sheets



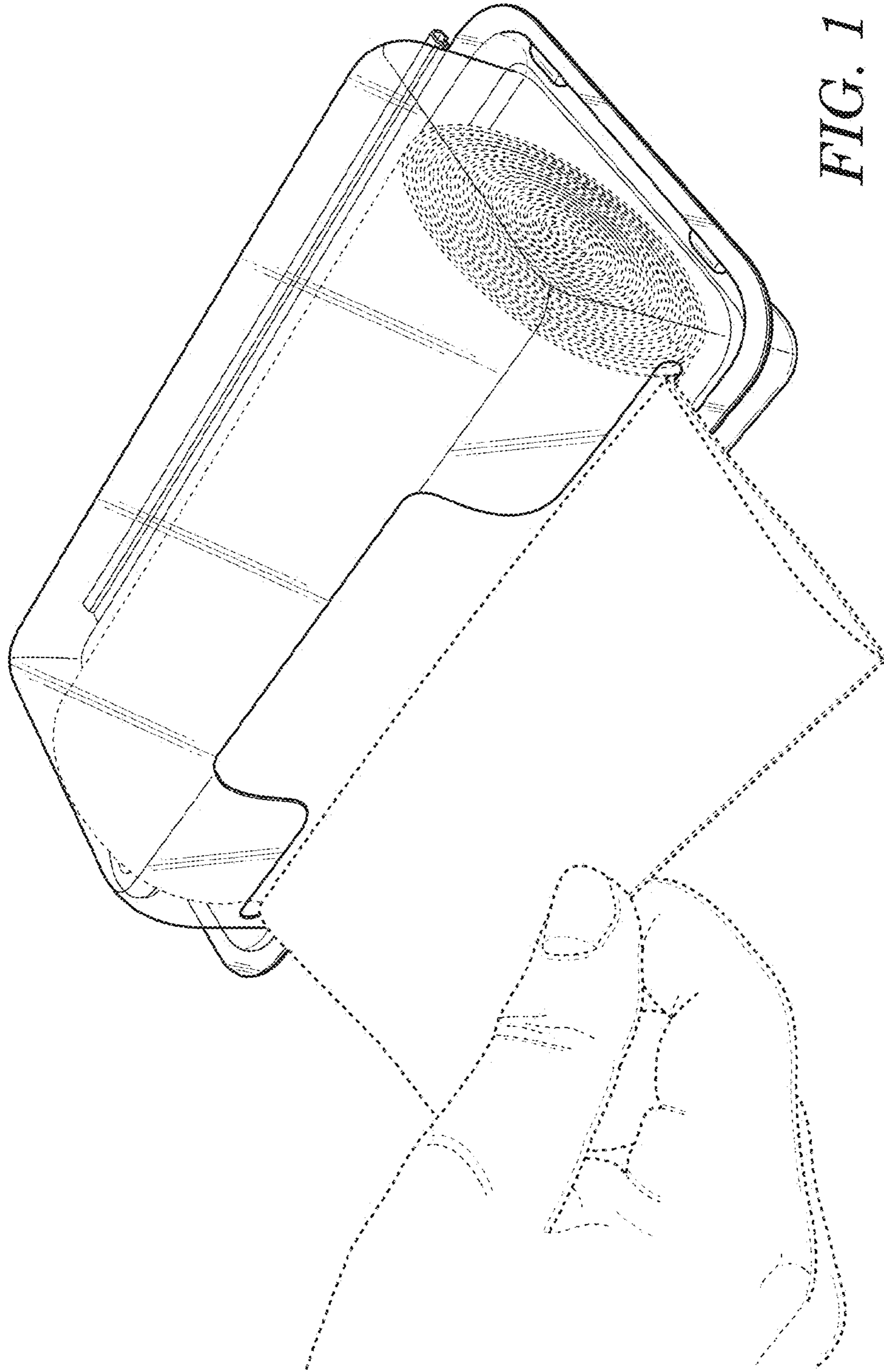


FIG. 1

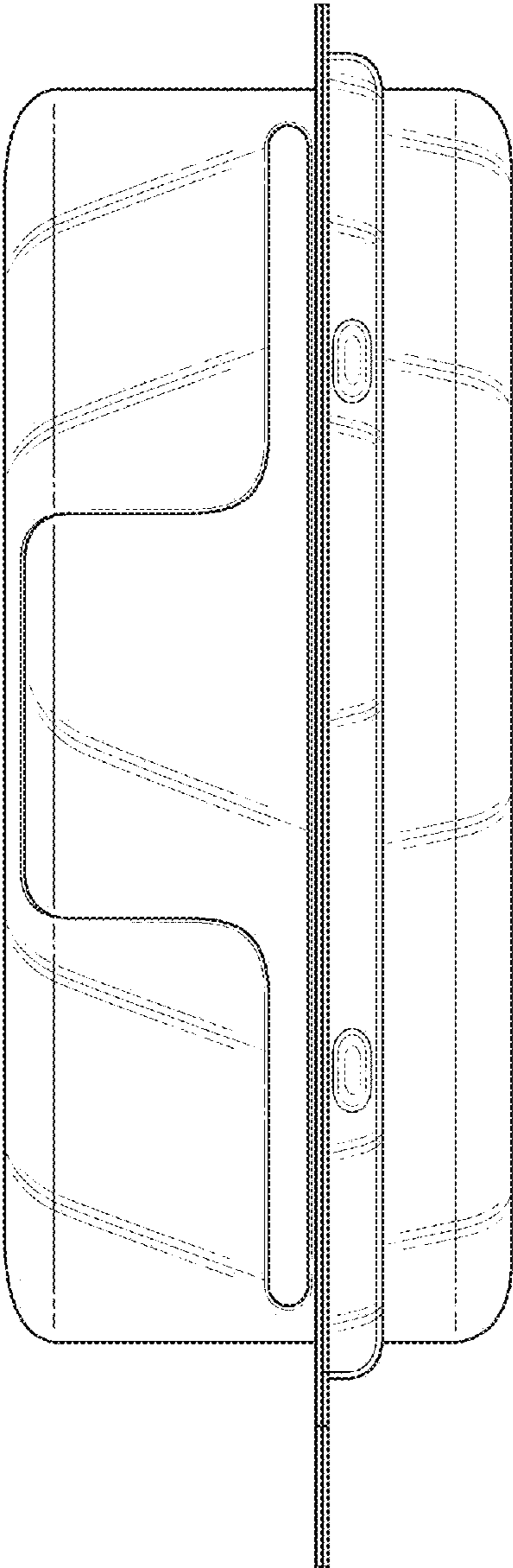


FIG. 2

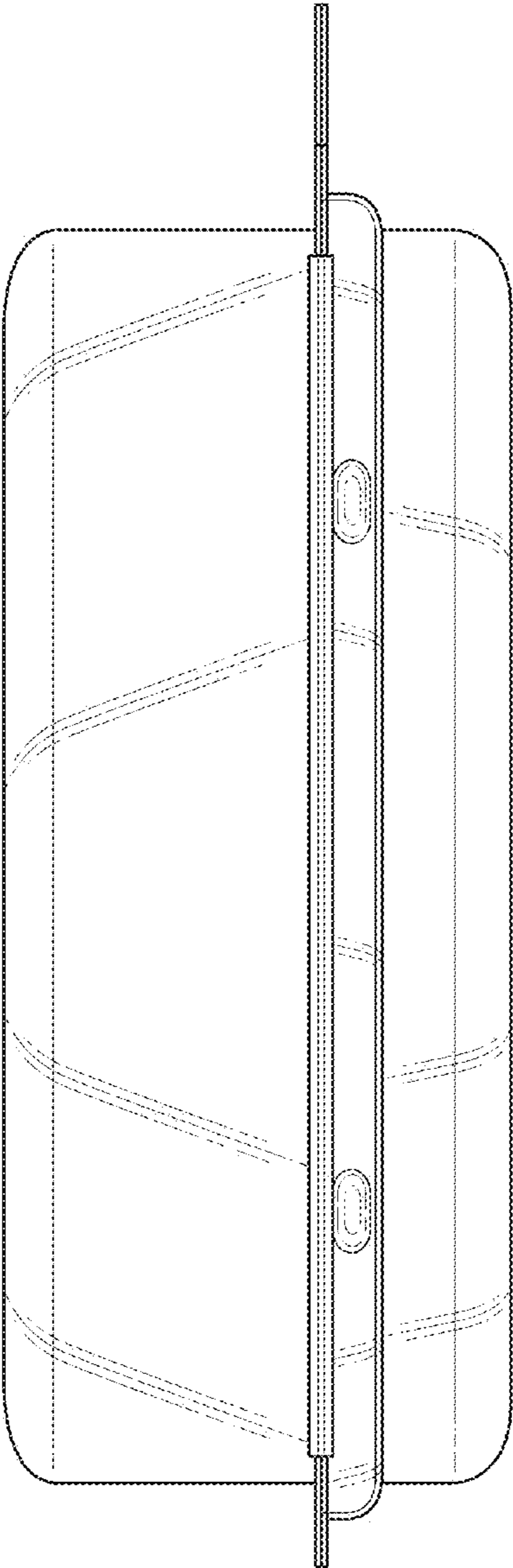


FIG. 3

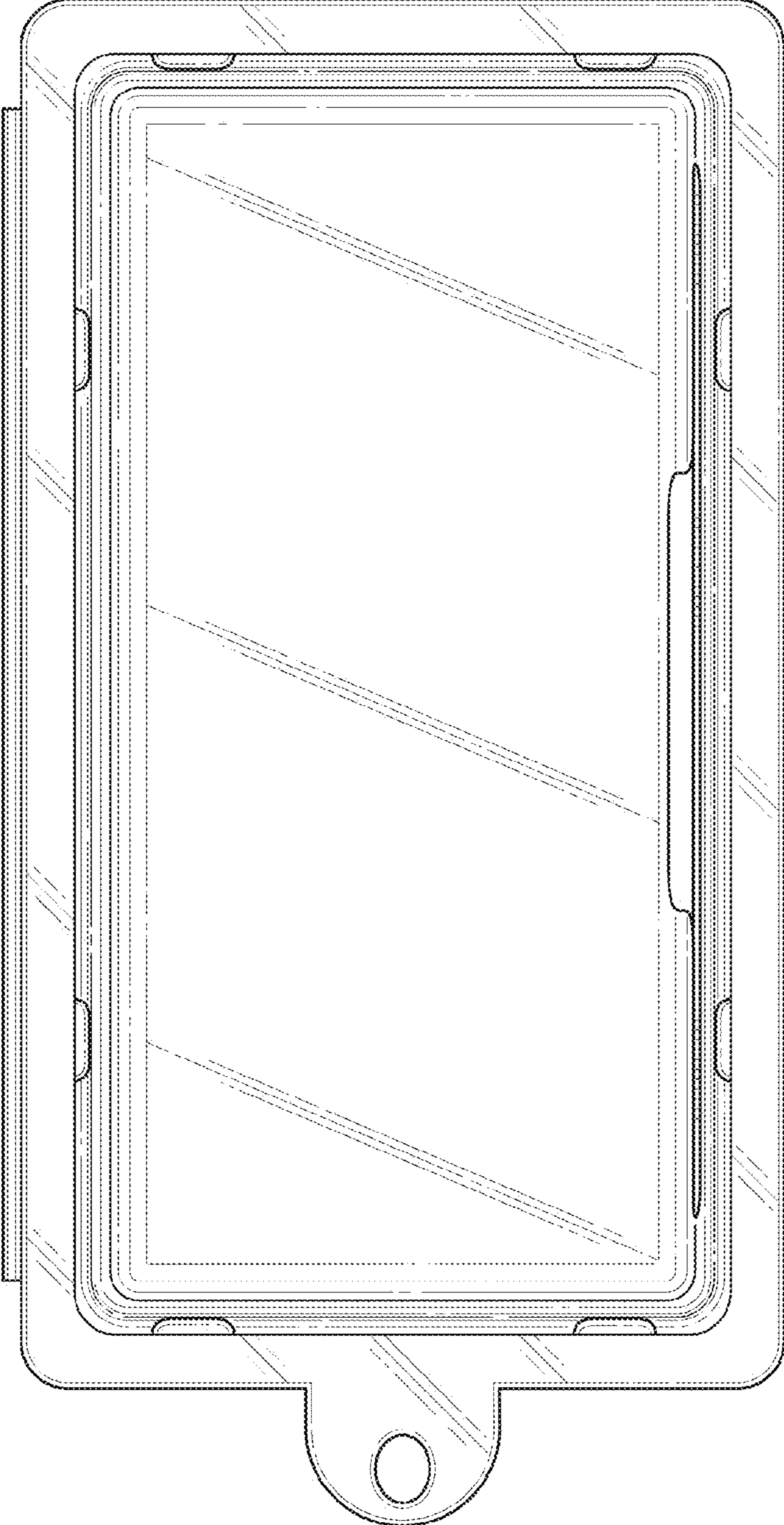


FIG. 4

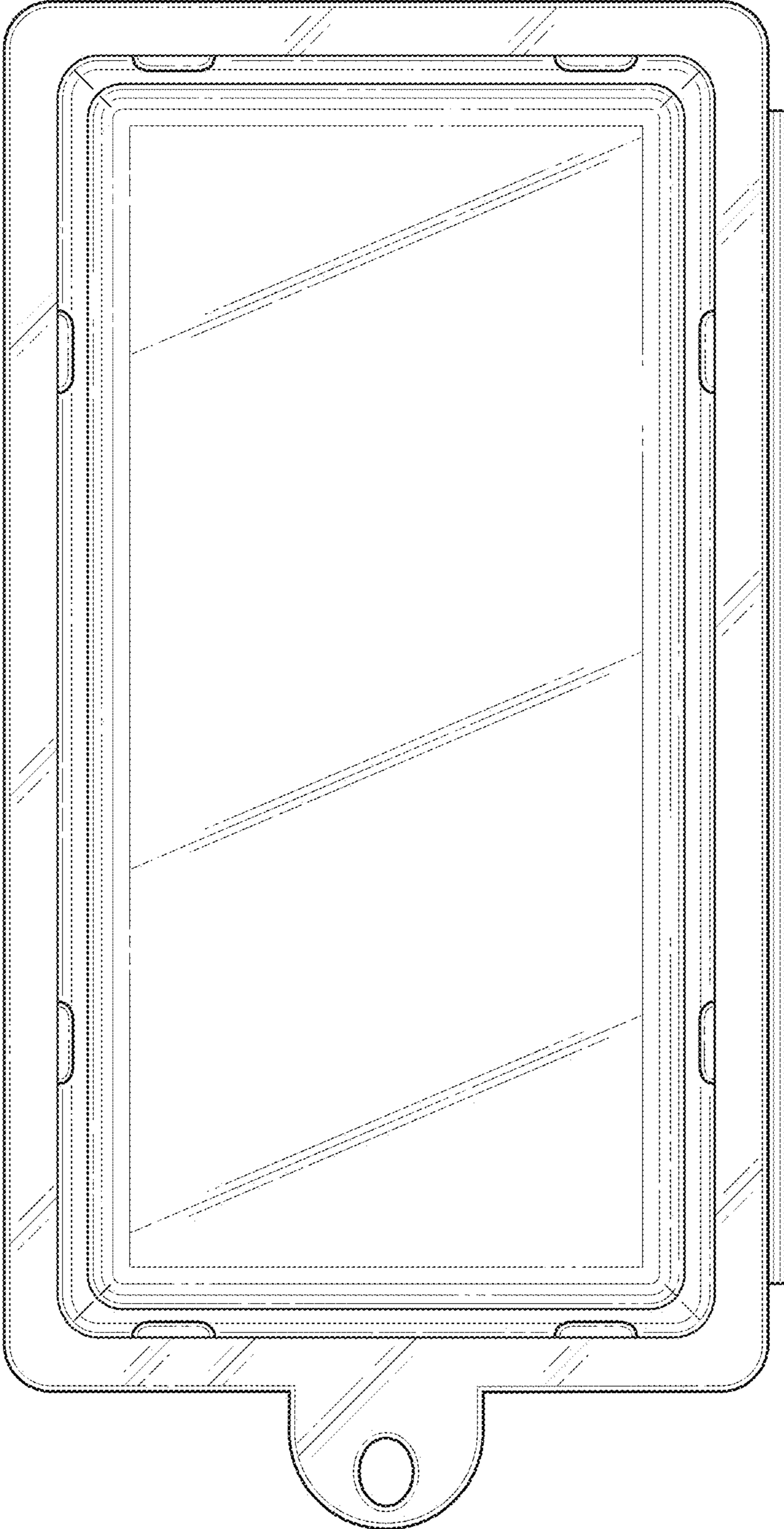


FIG. 5

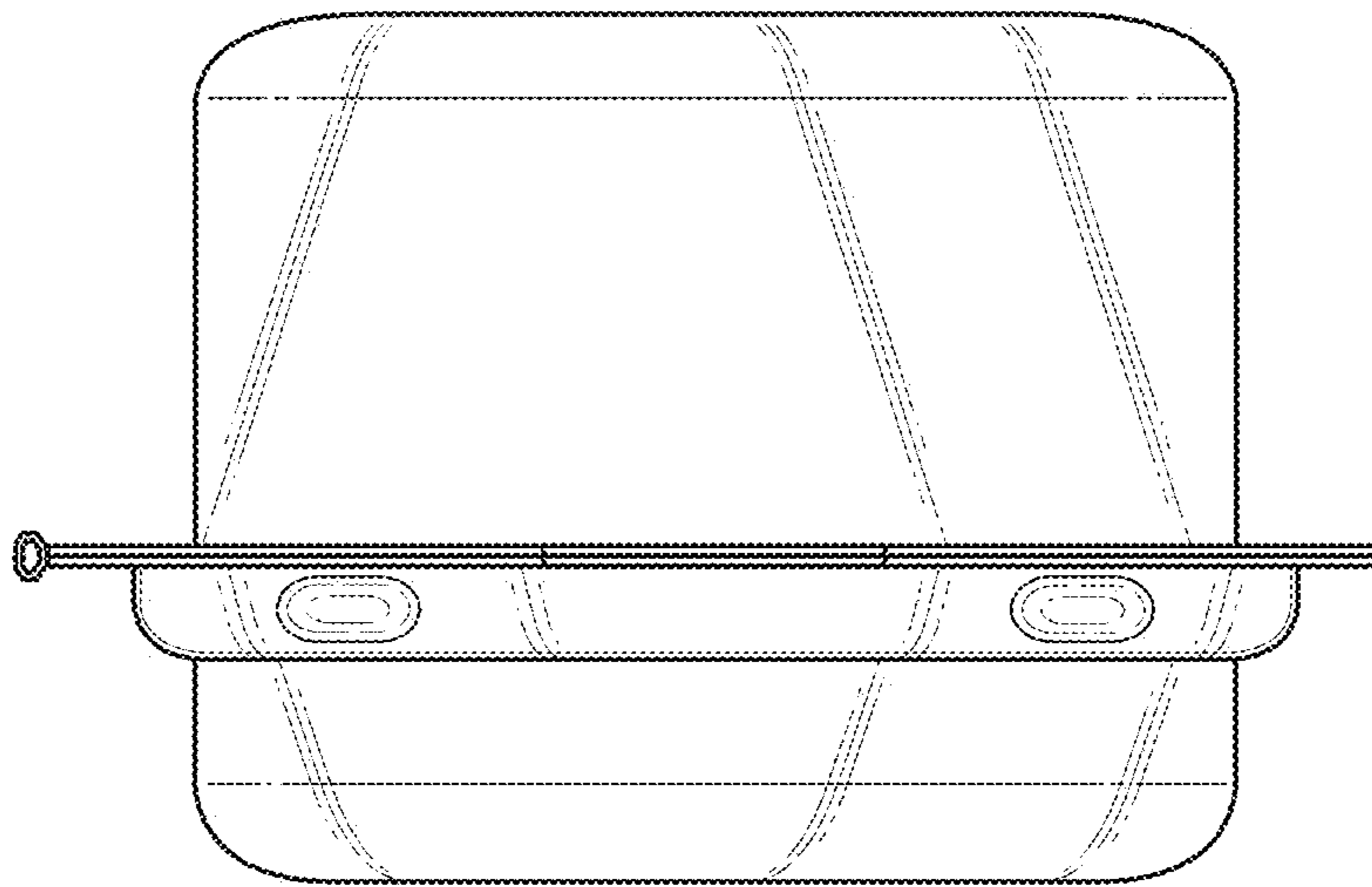


FIG. 6

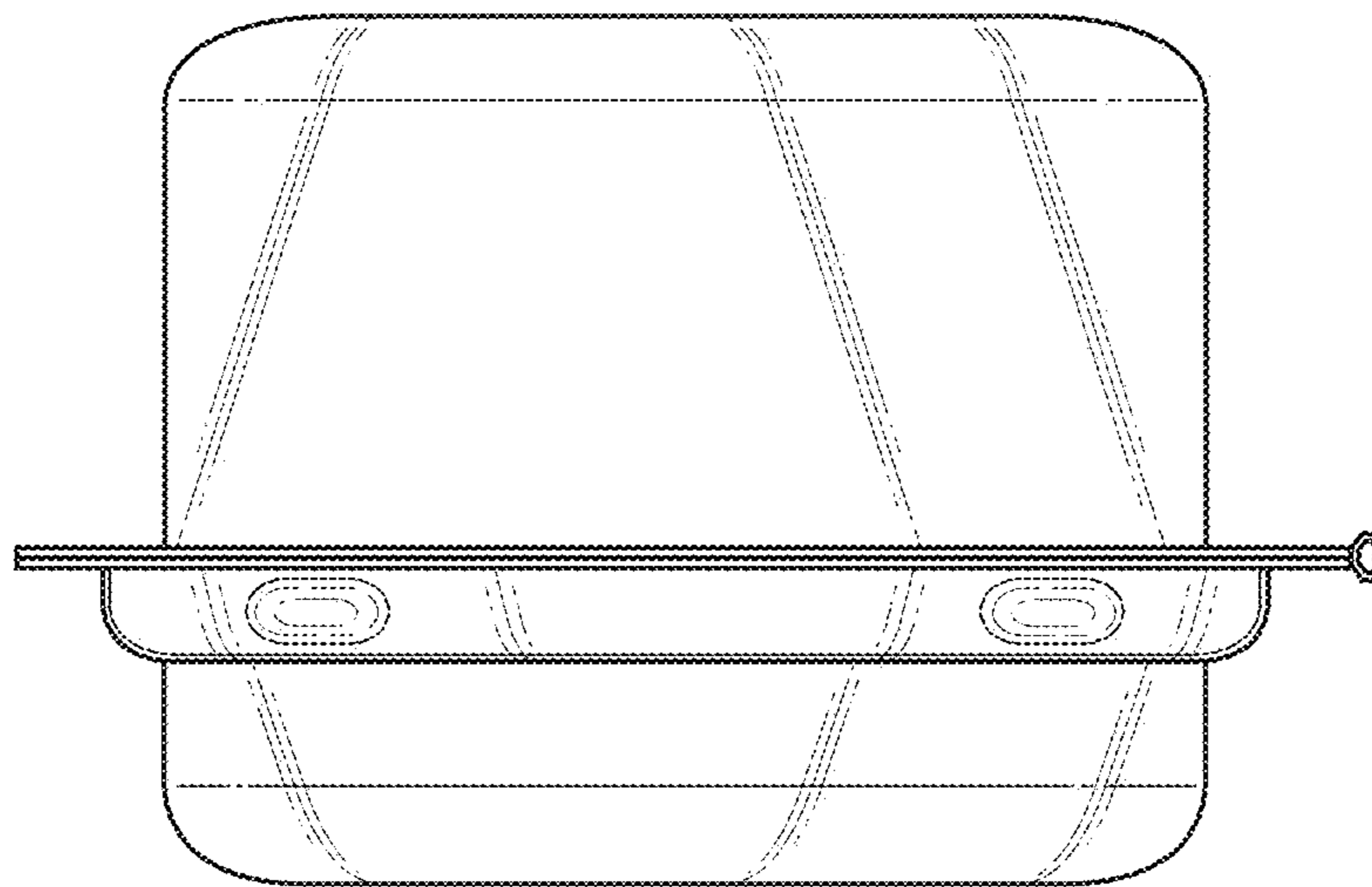


FIG. 7