



US00D727169S

(12) **United States Design Patent**
Pease

(10) **Patent No.:** **US D727,169 S**

(45) **Date of Patent:** **** Apr. 21, 2015**

(54) **TWO HANDLED SPOUTED POUCH**

(71) Applicant: **KV Lock LLC**, Miami, FL (US)

(72) Inventor: **James F. Pease**, Lake in the Hills, IL (US)

(73) Assignee: **KV Lock LLC**, Miami, FL (US)

(**) Term: **14 Years**

(21) Appl. No.: **29/486,629**

(22) Filed: **Apr. 1, 2014**

(51) **LOC (10) Cl.** **09-05**

(52) **U.S. Cl.**
USPC **D9/708**

(58) **Field of Classification Search**

USPC D9/702-714, 720-722, 414, 434-435, D9/696, 716, 771, 447, 516-517, 738-747, D9/544; D24/118, 207; 383/6, 9, 22, 96, 383/61.1, 80-81, 104, 901, 63, 203, 107, 383/119-120, 123; 220/675; 215/381-385, 215/400; 206/484; D3/202; 428/34.3

See application file for complete search history.

(56) **References Cited**

U.S. PATENT DOCUMENTS

D336,034 S * 6/1993 Rebilas D9/709
D341,157 S * 11/1993 Kitahara et al. D18/56
5,647,511 A * 7/1997 Bond 222/105
D439,328 S * 3/2001 Nielsen D24/118
D598,783 S * 8/2009 Berman D9/708
D598,784 S * 8/2009 Anderson et al. D9/708
D603,957 S * 11/2009 Sato et al. D24/118
D604,636 S * 11/2009 McMorris D9/708

D610,918 S * 3/2010 Ueda D9/708
D619,907 S * 7/2010 Ueda D9/708
D662,833 S * 7/2012 Sanfilippo et al. D9/707
8,231,029 B2 7/2012 Peer et al.
D671,839 S * 12/2012 Risgalla D9/705
8,348,509 B2 1/2013 Wilkes et al.

* cited by examiner

Primary Examiner — Caron D Veynar

Assistant Examiner — Abraham Bahta

(74) *Attorney, Agent, or Firm* — Fleit Gibbons Gutman Bongini & Bianco PL; Martin Fleit; Paul D. Bianco

(57) **CLAIM**

The ornamental design for a two handled spouted pouch, as shown and described.

DESCRIPTION

FIG. 1 is perspective view of a two handled spouted pouch according to the present invention.

FIG. 2 is a front view of the two handled spouted pouch shown in FIG. 1.

FIG. 3 is a back view of the two handled spouted pouch shown in FIG. 1.

FIG. 4 is a right view of the two handled spouted pouch shown in FIG. 1.

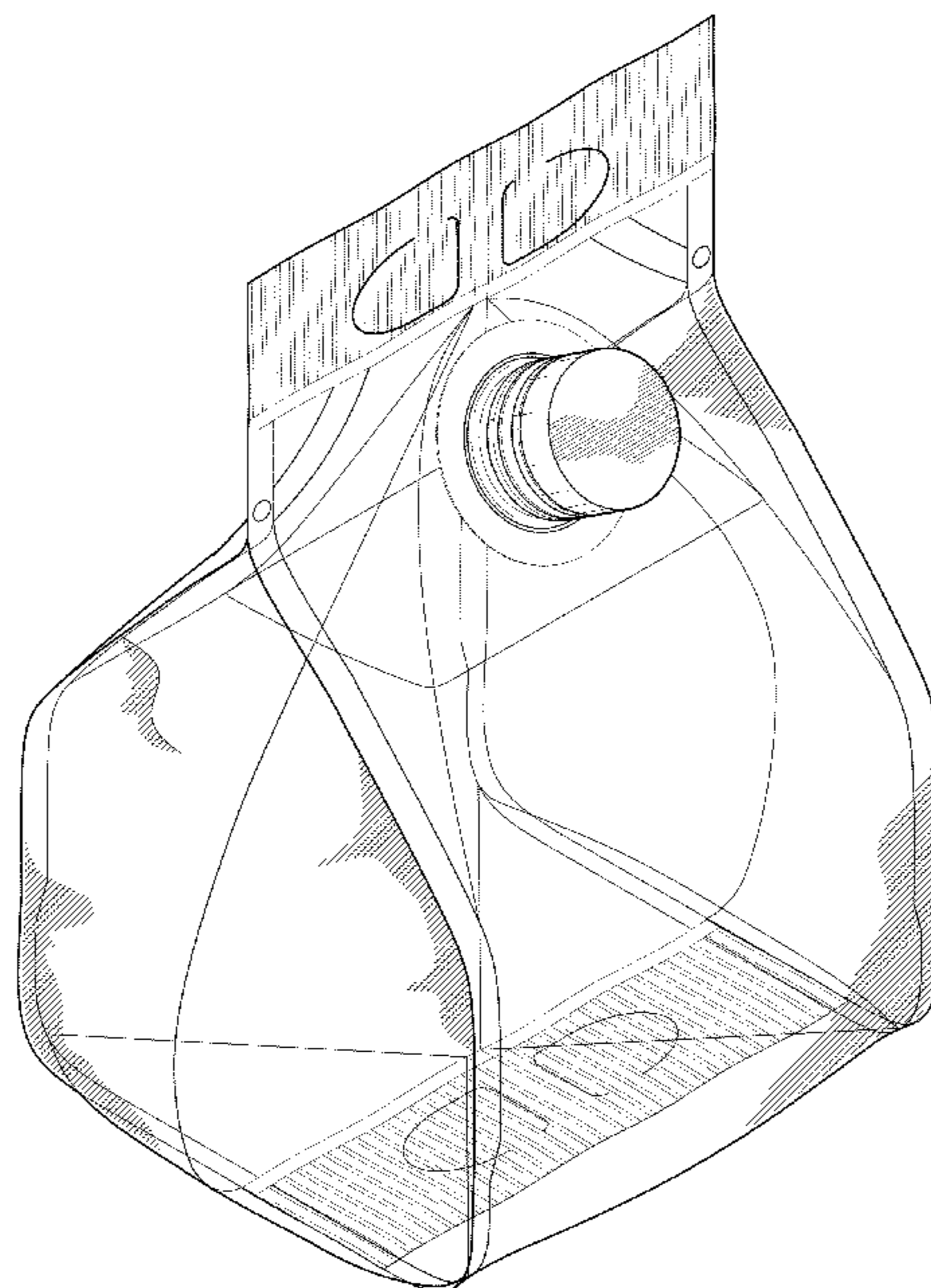
FIG. 5 is a left view of the two handled spouted pouch shown in FIG. 1.

FIG. 6 is a top view of the two handled spouted pouch shown in FIG. 1.

FIG. 7 is a bottom view of the two handled spouted pouch shown in FIG. 1; and,

FIG. 8 is perspective view of the two handled spouted pouch shown in FIG. 1 filled with fluid.

1 Claim, 6 Drawing Sheets



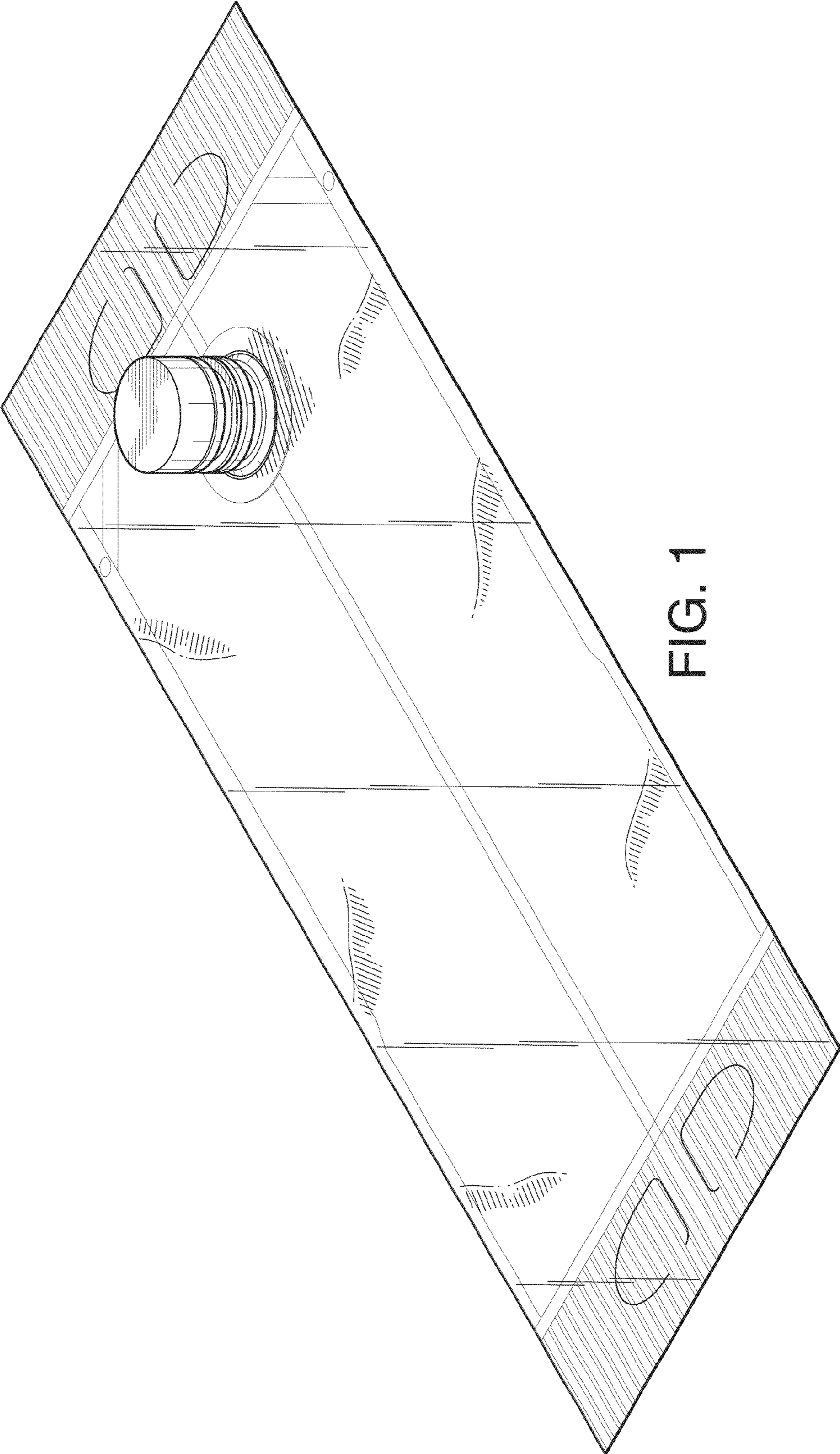


FIG. 1

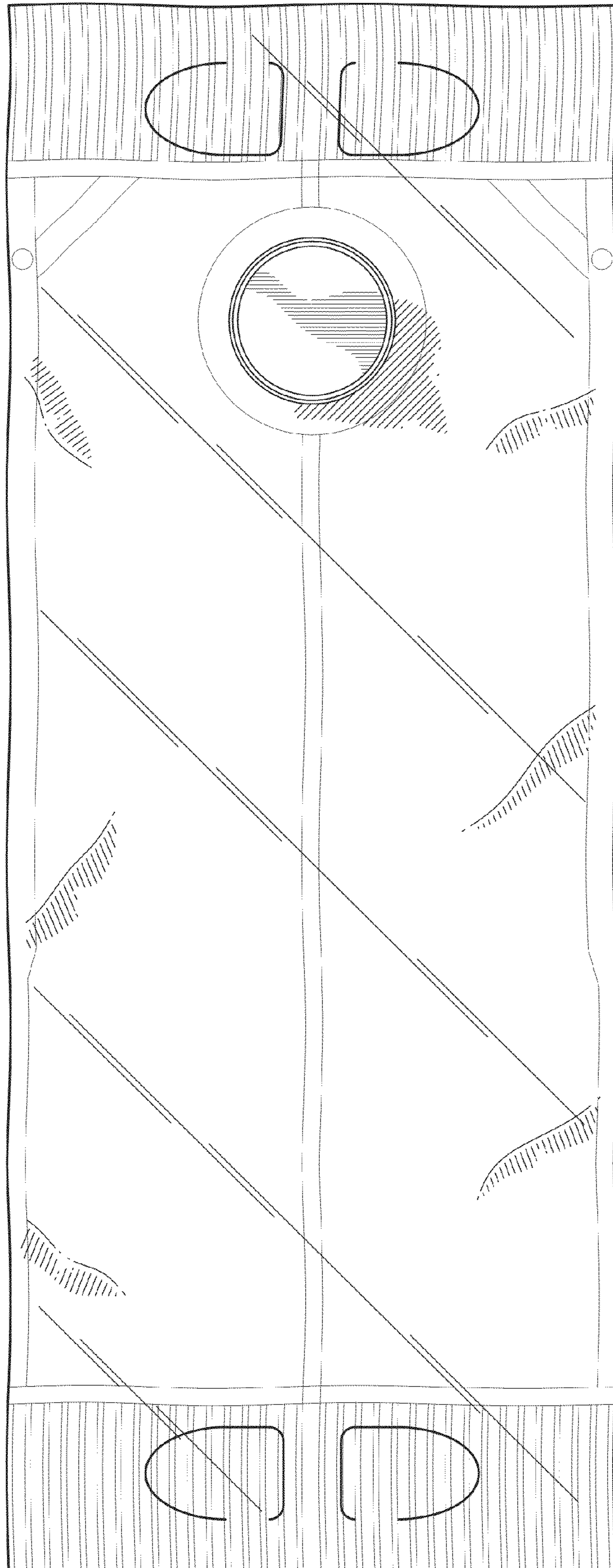


FIG. 2

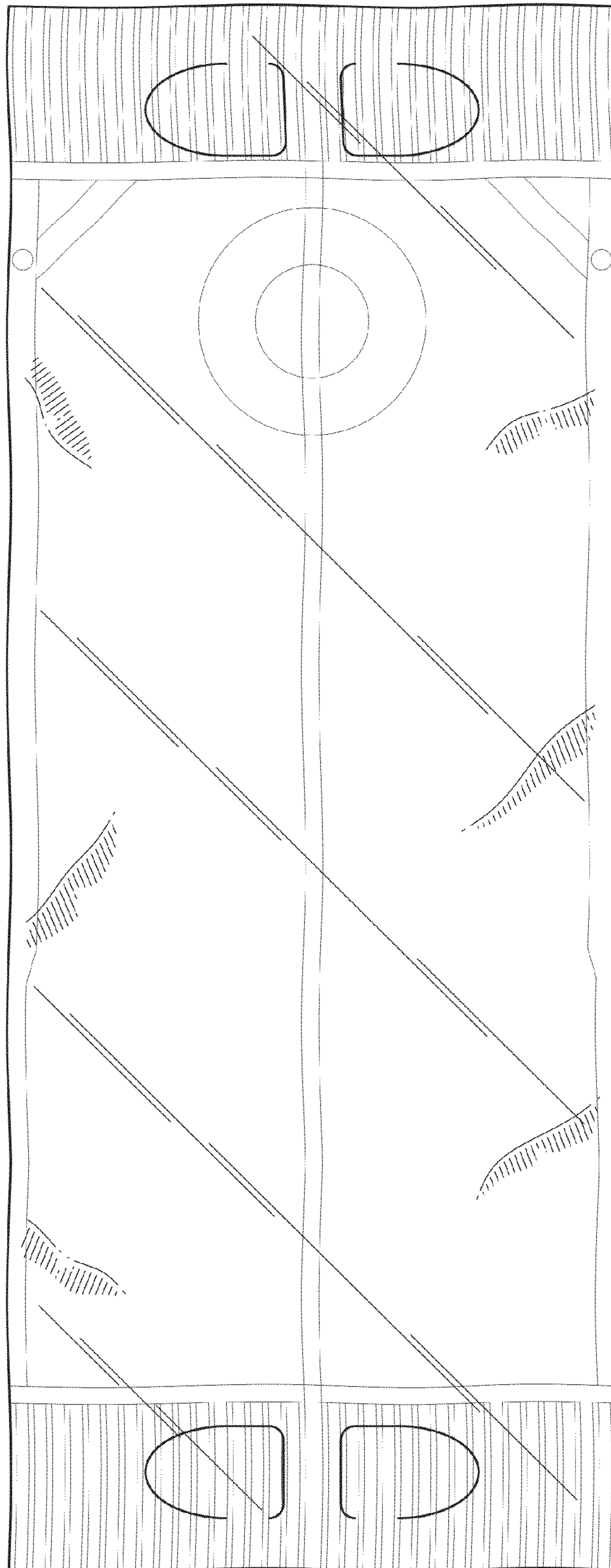


FIG. 3



FIG. 4

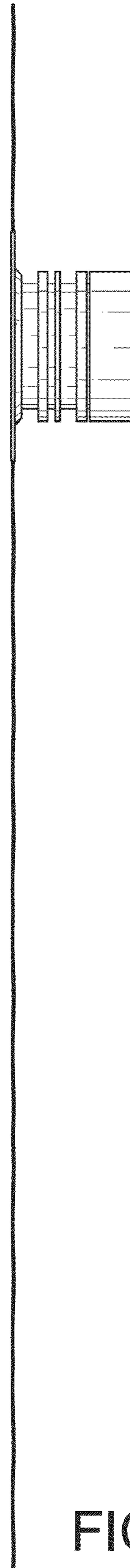


FIG. 5

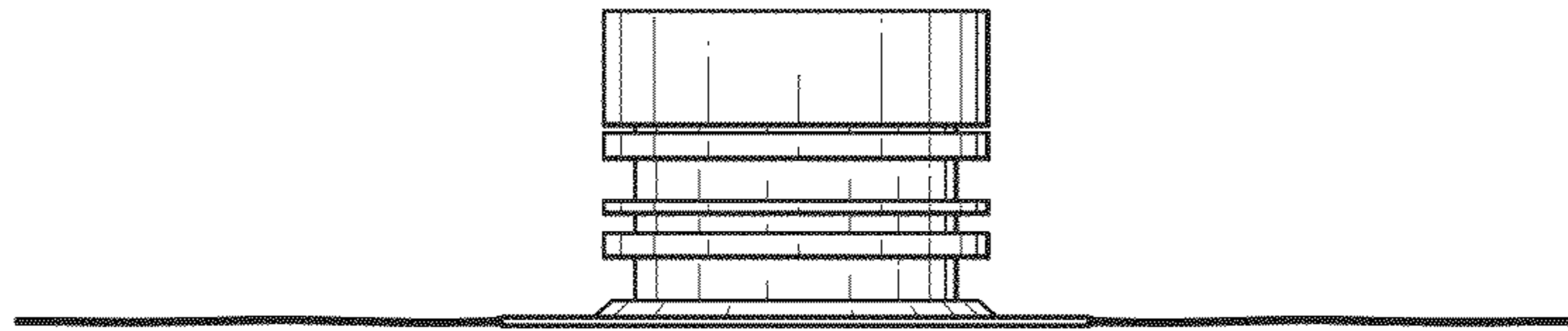


FIG. 6

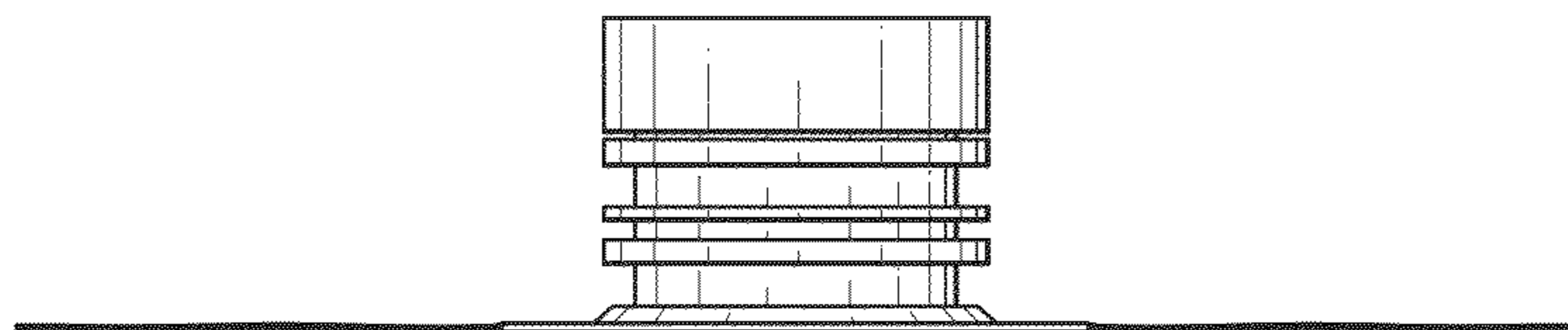


FIG. 7

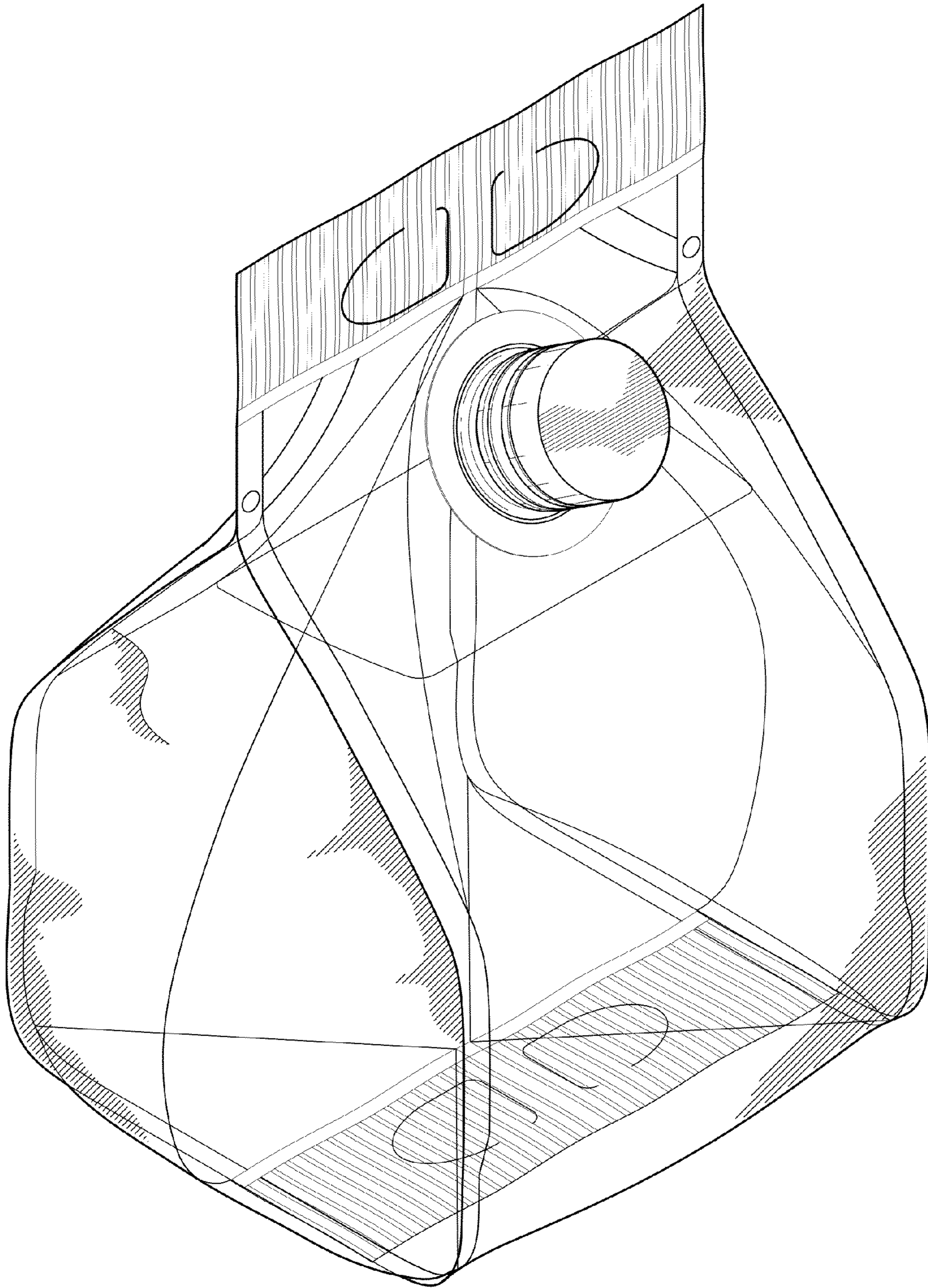


FIG. 8