



US00D727167S

(12) **United States Design Patent**
Wilcox et al.

(10) **Patent No.:** **US D727,167 S**
(45) **Date of Patent:** **** Apr. 21, 2015**

(54) **APPLICATOR**

(71) Applicant: **LEO Pharma A/S**, Ballerup (DK)

(72) Inventors: **Alun Wilcox**, Surrey (GB); **Peter Sprada**, London (GB); **Graeme Howard Davies**, London (GB); **Nicholas Henry Reddall**, London (GB); **Joshua Thomas Richards**, London (GB)

(73) Assignee: **LEO Pharma A/S**, Ballerup (DK)

(**) Term: **14 Years**

(21) Appl. No.: **29/434,923**

(22) Filed: **Oct. 18, 2012**

(51) **LOC (10) Cl.** **09-01**

(52) **U.S. Cl.**
USPC **D9/688**

(58) **Field of Classification Search**
CPC A45D 34/04; B65D 83/206; B65D 83/201
USPC D9/682-694, 715, 718, 719, 723-729,
D9/434-436, 447, 448; 222/182, 183, 631,
222/635, 321.6-321.9, 372, 373, 379,
222/383.1, 386, 401, 402.11, 402.13,
222/402.15

See application file for complete search history.

(56) **References Cited**

U.S. PATENT DOCUMENTS

2,865,370 A * 12/1958 Gattone 128/200.23
D218,145 S * 7/1970 Dublin D9/685
D236,084 S * 7/1975 Petterson D9/688

D277,074 S * 1/1985 Czech D9/688
D333,778 S * 3/1993 Magidson et al. D9/685
D462,896 S * 9/2002 Crawford et al. D9/693
6,460,739 B1 * 10/2002 Norris et al. 222/380
D489,970 S * 5/2004 Nelson et al. D9/688
D537,359 S * 2/2007 Butler et al. D9/685
7,204,393 B2 * 4/2007 Strand 222/402.13
D623,071 S * 9/2010 Driskell et al. D9/685
D633,385 S * 3/2011 Baker et al. D9/447
D646,180 S * 10/2011 Wilkinson et al. D9/688
8,210,399 B2 * 7/2012 Olson et al. 222/380
2007/0051754 A1 * 3/2007 Strand et al. 222/402.13

* cited by examiner

Primary Examiner — Catherine Tuttle

(74) *Attorney, Agent, or Firm* — Holland & Hart LLP

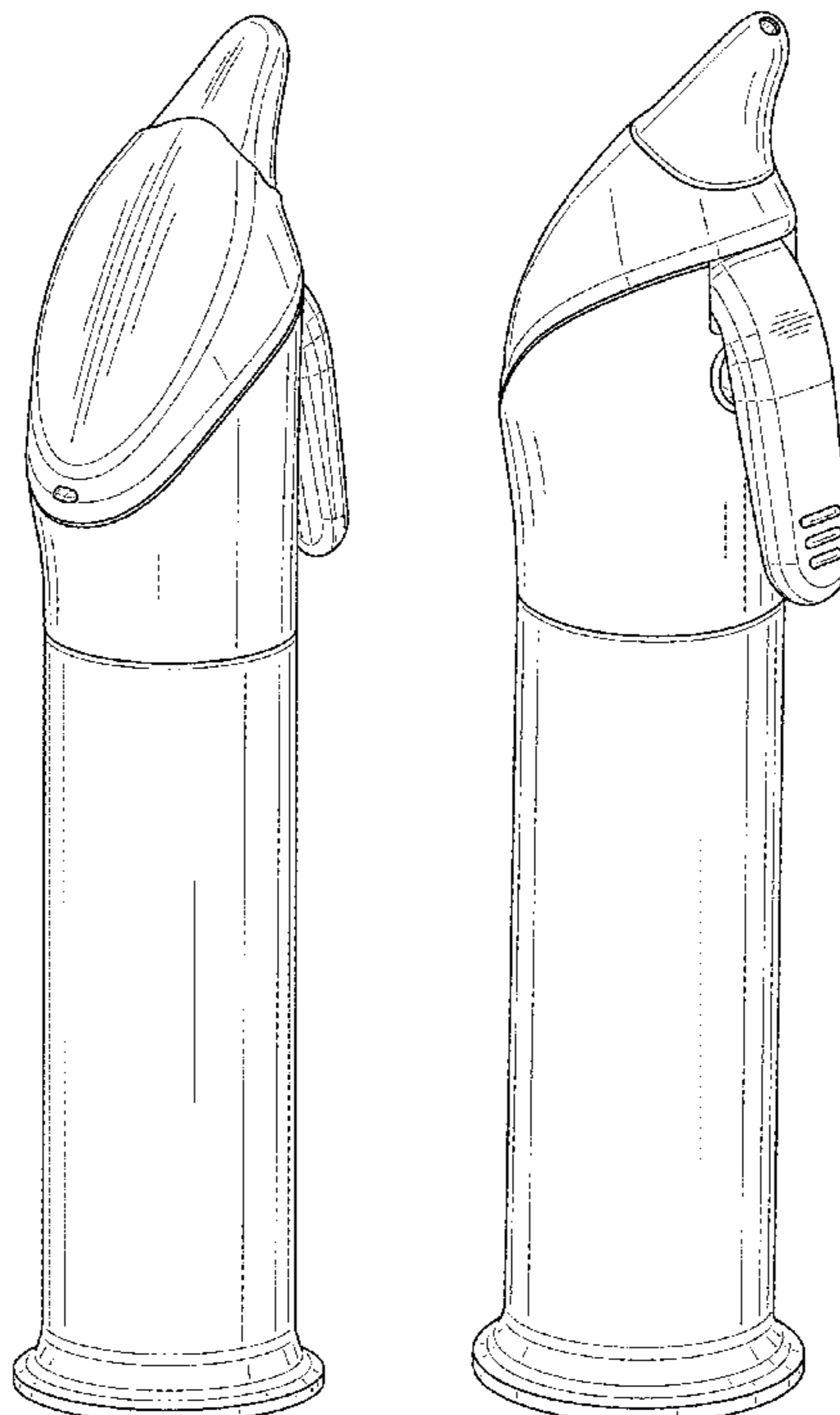
(57) **CLAIM**

The ornamental design for an applicator, as shown and described.

DESCRIPTION

FIG. 1 is a left side view of the applicator, showing our new design;
FIG. 2 is a rear view of the design illustrated in FIG. 1.
FIG. 3 is a right side view of the design illustrated in FIG. 1;
FIG. 4 is a front view of the design illustrated in FIG. 1;
FIG. 5 is a top and front perspective view of the design illustrated in FIG. 1;
FIG. 6 is a top and rear perspective view of the design illustrated in FIG. 1; and,
FIG. 7 is a top view of the design illustrated in FIG. 1.

1 Claim, 7 Drawing Sheets



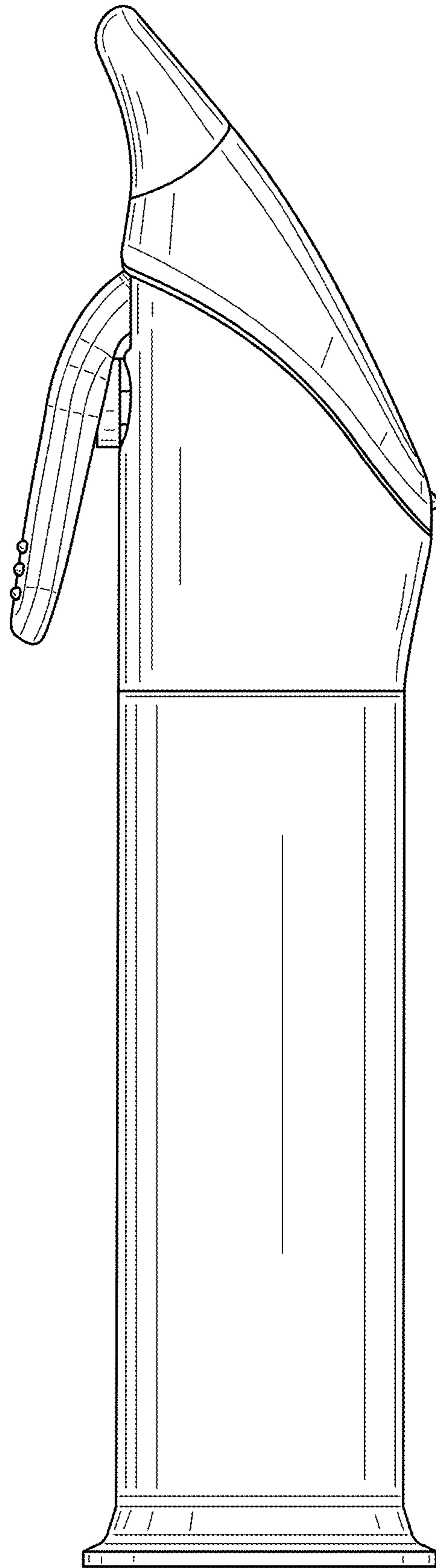


FIG.1

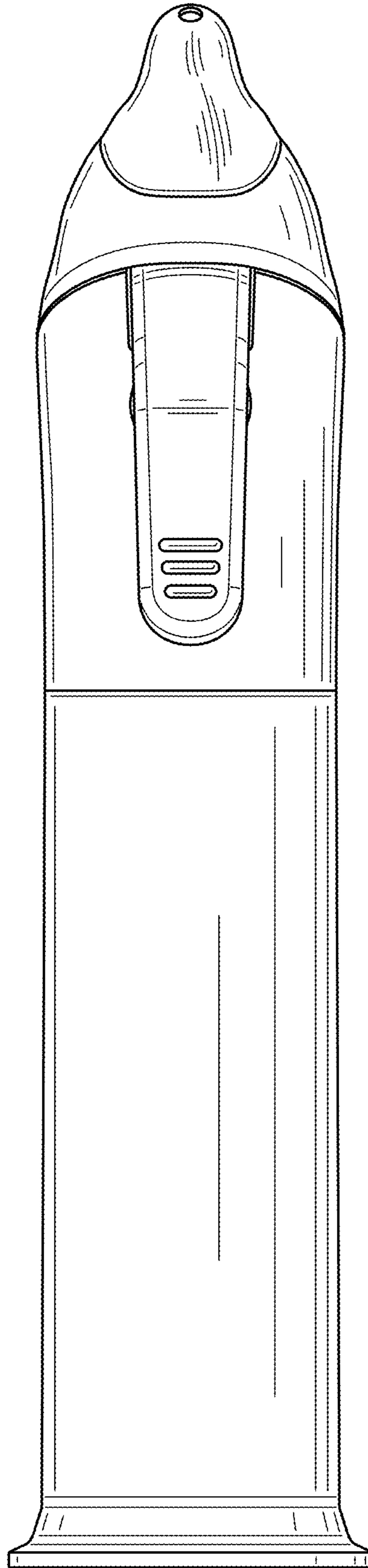


FIG.2

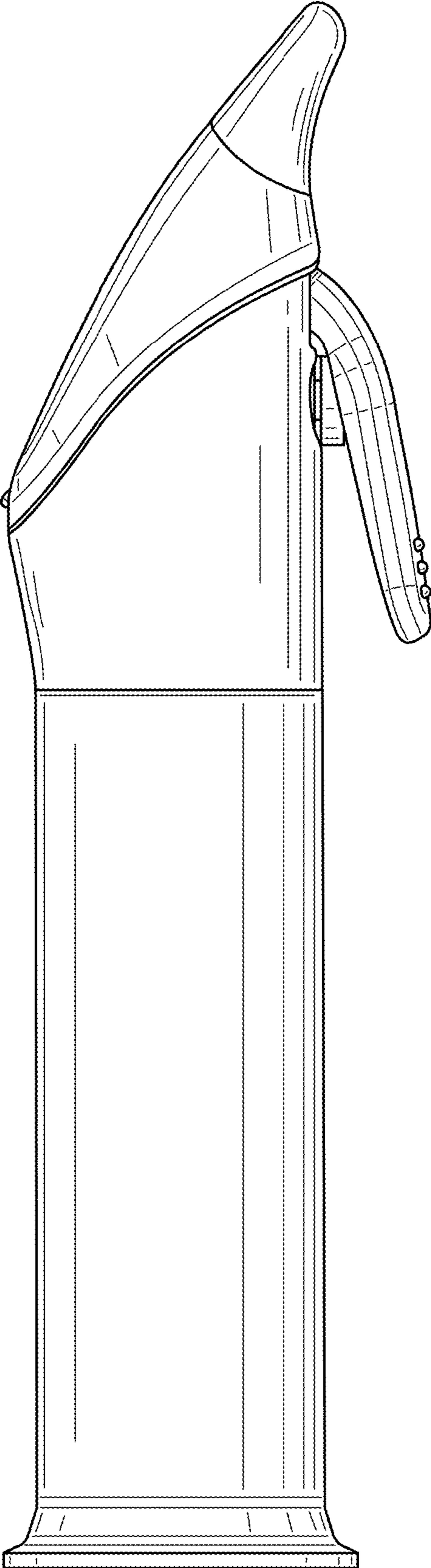


FIG.3

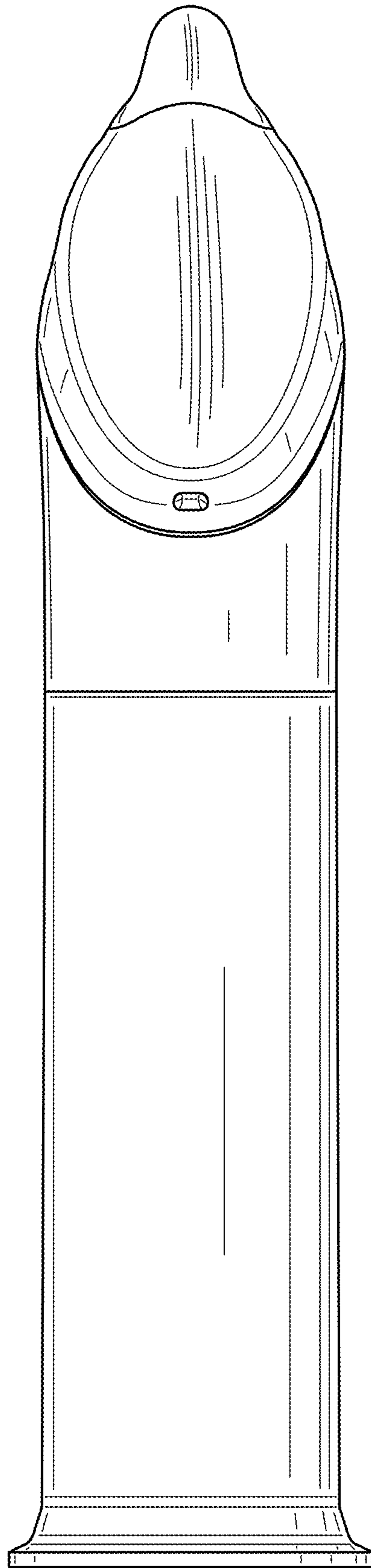


FIG.4

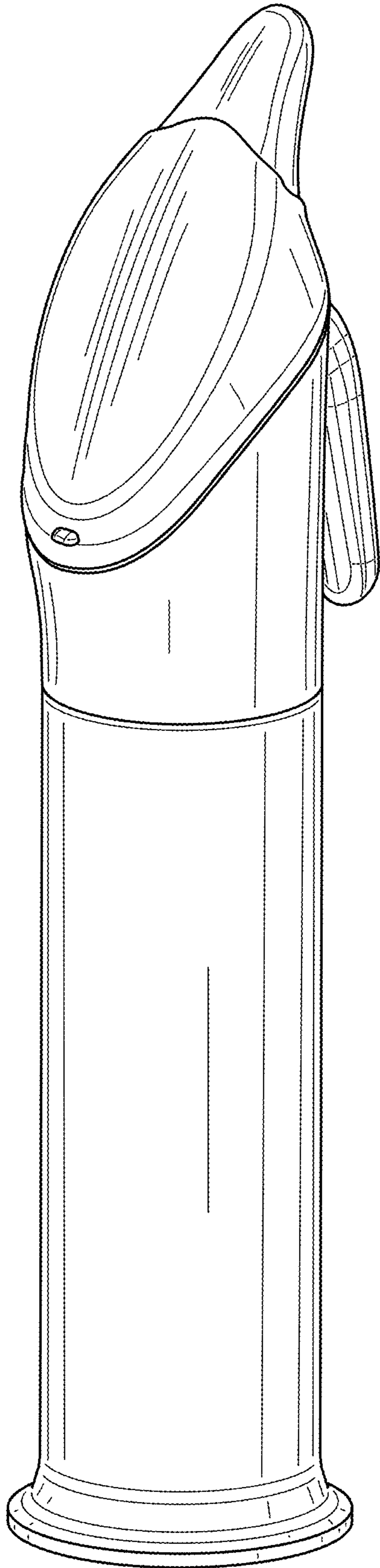


FIG.5

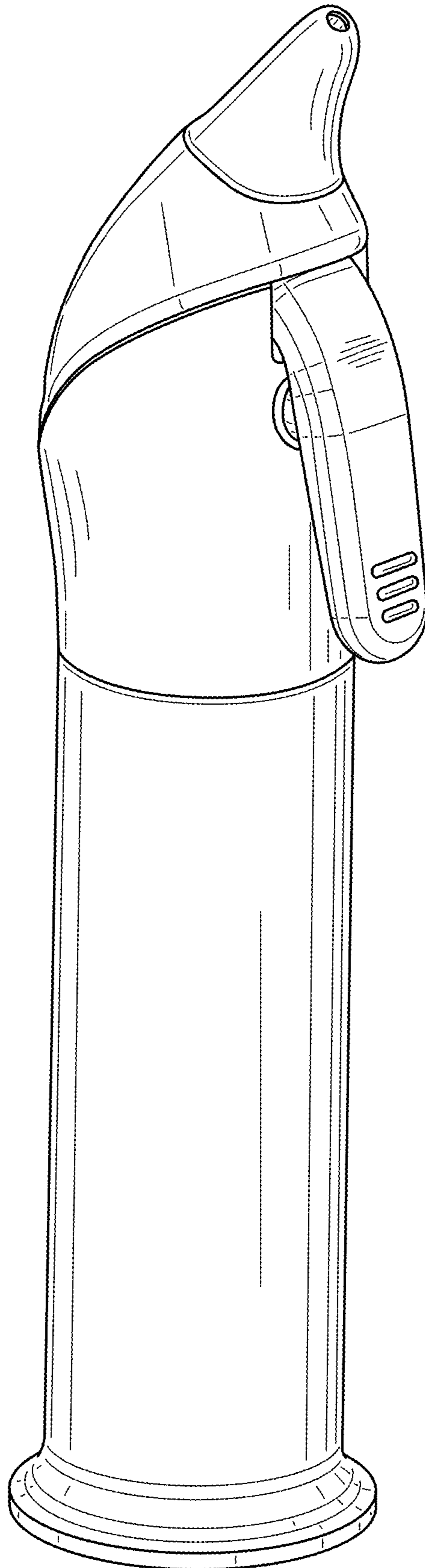


FIG.6

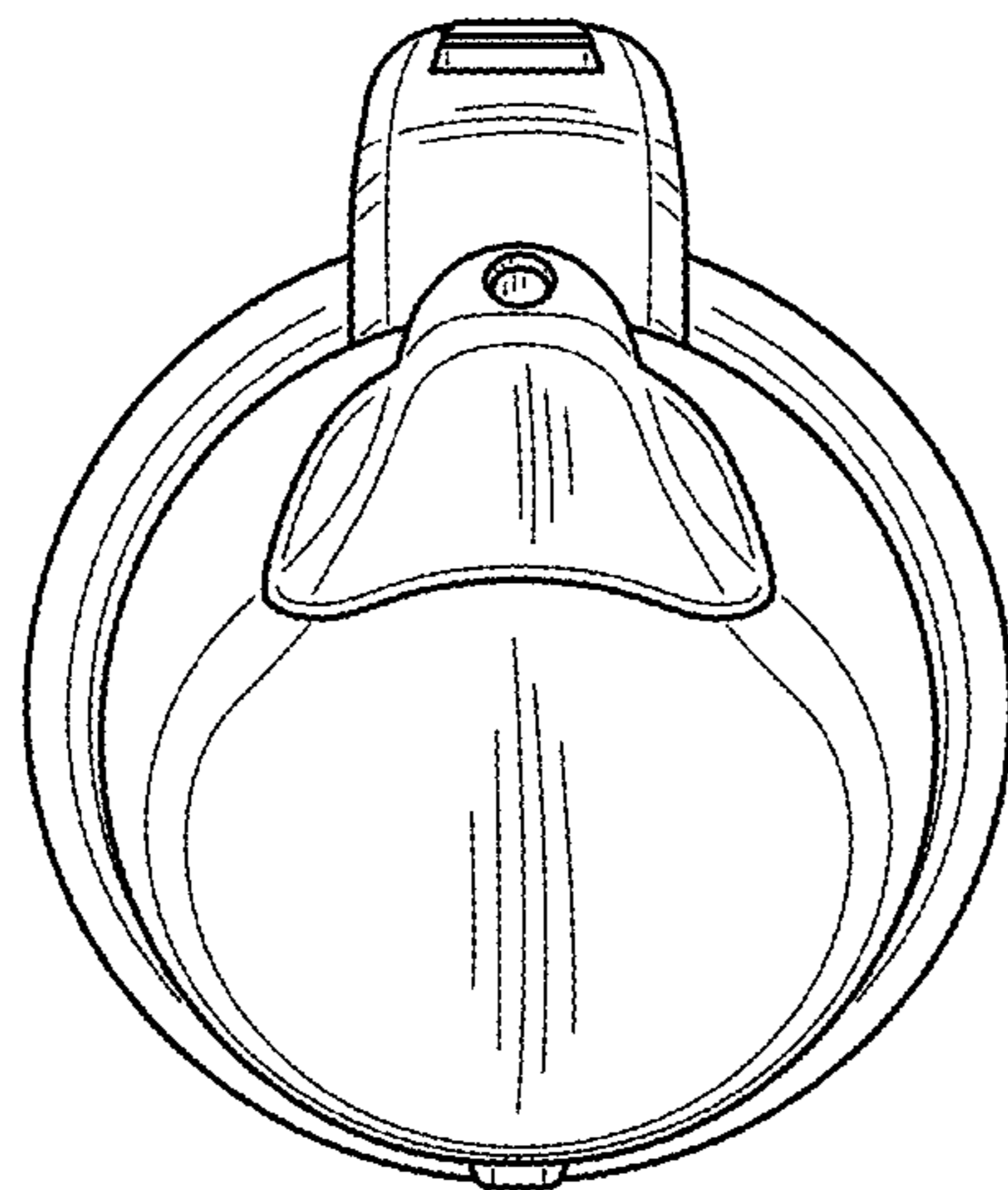


FIG.7