



US00D727164S

(12) **United States Design Patent**
Staab

(10) **Patent No.:** **US D727,164 S**
(45) **Date of Patent:** **** Apr. 21, 2015**

(54) **BOTTLE**

(71) Applicant: **Mary Kay, Inc.**, Addison, TX (US)

(72) Inventor: **Jenny DeMarco Staab**, Frisco, TX (US)

(73) Assignee: **Mary Kay Inc.**, Addison, TX (US)

(**) Term: **14 Years**

(21) Appl. No.: **29/477,107**

(22) Filed: **Dec. 19, 2013**

(51) **LOC (10) Cl.** **09-01**

(52) **U.S. Cl.**

USPC **D9/635**; D9/686

(58) **Field of Classification Search**

CPC B65D 67/00

USPC D7/514-515, 517, 519-520, 451;

D9/600, 635, 682, 684, 686-687;

206/457, 527; 215/381-384, 400

See application file for complete search history.

(56) **References Cited**

U.S. PATENT DOCUMENTS

D110,302 S 6/1938 Guerlain 9/635

D125,899 S * 3/1941 McIntosh D9/635

(Continued)

Primary Examiner — Sandra Morris

(74) *Attorney, Agent, or Firm* — Norton Rose Fulbright US LLP

(57) **CLAIM**

The ornamental design for a bottle, as shown and described.

DESCRIPTION

FIG. 1 is a front, right perspective view of a first embodiment of a bottle;

FIG. 2 is a front elevation view of the bottle shown in FIG. 1; FIG. 3 is a back elevation view of the bottle shown in FIG. 1; FIG. 4 is a left side elevation view of the bottle shown in FIG. 1;

FIG. 5 is a right side elevation view of the bottle shown in FIG. 1;

FIG. 6 is a top plan view of the bottle shown in FIG. 1;

FIG. 7 is a bottom plan view of the bottle shown in FIG. 1;

FIG. 8 is a front, right perspective view of a second embodiment of a bottle;

FIG. 9 is a front elevation view of the bottle shown in FIG. 8;

FIG. 10 is a back elevation view of the bottle shown in FIG. 8;

FIG. 11 is a left side elevation view of the bottle shown in FIG. 8;

FIG. 12 is a right side elevation view of the bottle shown in FIG. 8;

FIG. 13 is a top plan view of the bottle shown in FIG. 8;

FIG. 14 is a bottom plan view of the bottle shown in FIG. 8;

FIG. 15 is a front, right perspective view of a third embodiment of a bottle;

FIG. 16 is a front elevation view of the bottle shown in FIG. 15;

FIG. 17 is a back elevation view of the bottle shown in FIG. 15;

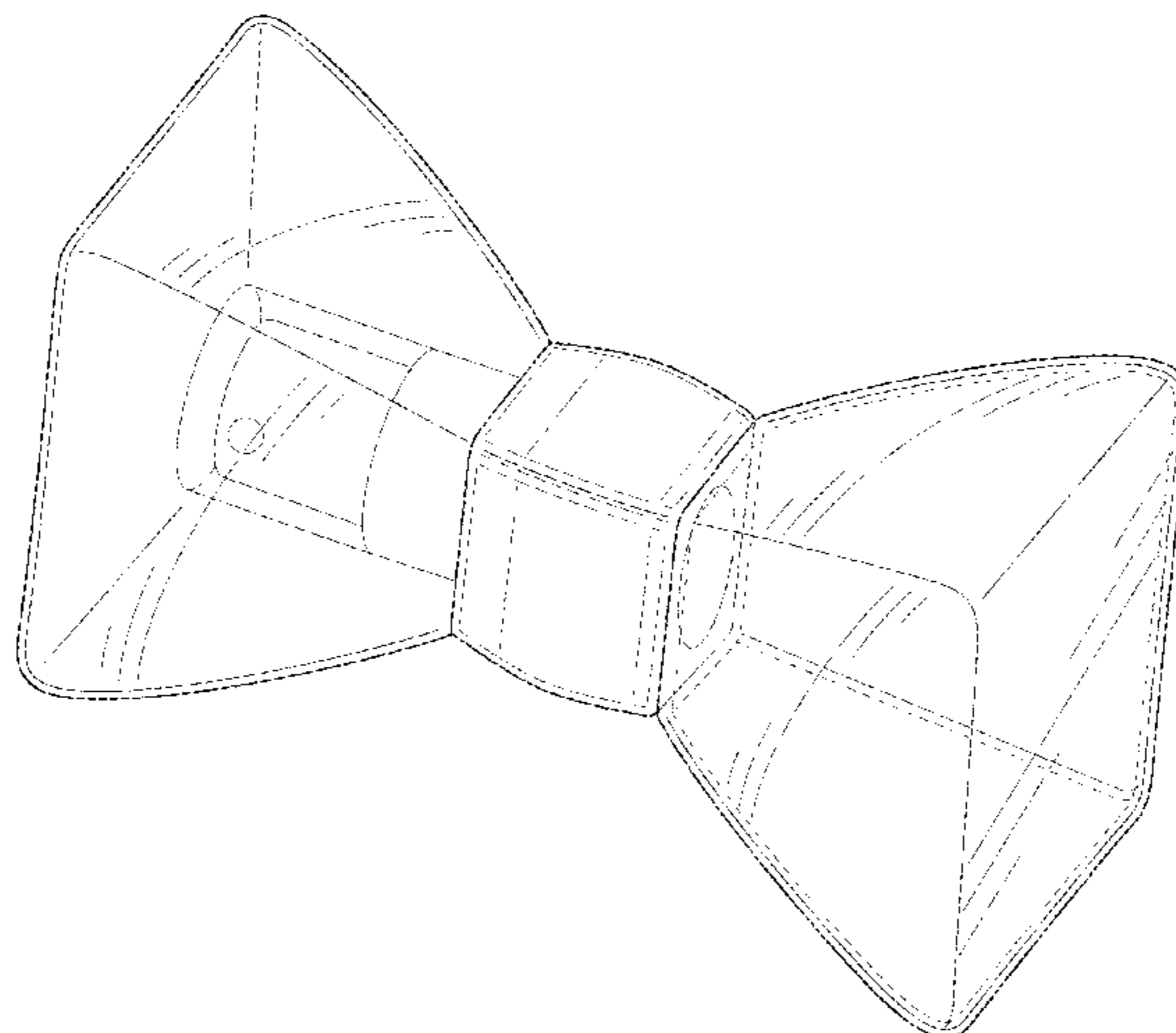
FIG. 18 is a left side elevation view of the bottle shown in FIG. 15;

FIG. 19 is a right side elevation view of the bottle shown in FIG. 15;

FIG. 20 is a top plan view of the bottle shown in FIG. 15; and, FIG. 21 is a bottom plan view of the bottle shown in FIG. 15.

The dashed lines of FIGS. 1-3 and 5-14 form no part of the claimed design. The shade lines in the figure show contour and not surface ornamentation. All other surfaces or portions of the bottle in FIGS. 1-21 not shown in the figures or otherwise described in the specification form no part of the claimed designs.

1 Claim, 21 Drawing Sheets



(56)

References Cited

U.S. PATENT DOCUMENTS

D134,427 S	*	11/1942	McIntosh	D9/451	D406,532 S	3/1999	Black	9/651	
D259,703 S		6/1981	Llorente	9/651	D419,073 S	1/2000	Jauffret	9/520	
D261,363 S		10/1981	Sandor	9/566	D453,863 S	2/2002	Kang et al.	30/160	
D261,865 S		11/1981	Davis et al.	9/560	D459,660 S	7/2002	Burger	9/560	
D271,082 S		10/1983	Jackson	9/651	D516,920 S	3/2006	Abadinsky	9/542	
D336,036 S	*	6/1993	Wacker	D9/635	D531,049 S	*	10/2006	De France	D9/682
D361,270 S		8/1995	Schneider et al.	9/571	D534,333 S		1/2007	Jones	2/606
D368,572 S		4/1996	Pon et al.	2/606	D570,697 S		6/2008	Wagner	9/535
D374,825 S		10/1996	Rowe	9/529	D622,142 S	*	8/2010	de France	D9/441
D401,155 S		11/1998	De Mourgues	9/558	D631,751 S		2/2011	Fox et al.	9/529
					D639,667 S		6/2011	Bogert et al.	9/544
					D654,369 S	*	2/2012	Del Cerro et al.	D9/635
					D678,657 S		3/2013	Williams	2/606

* cited by examiner

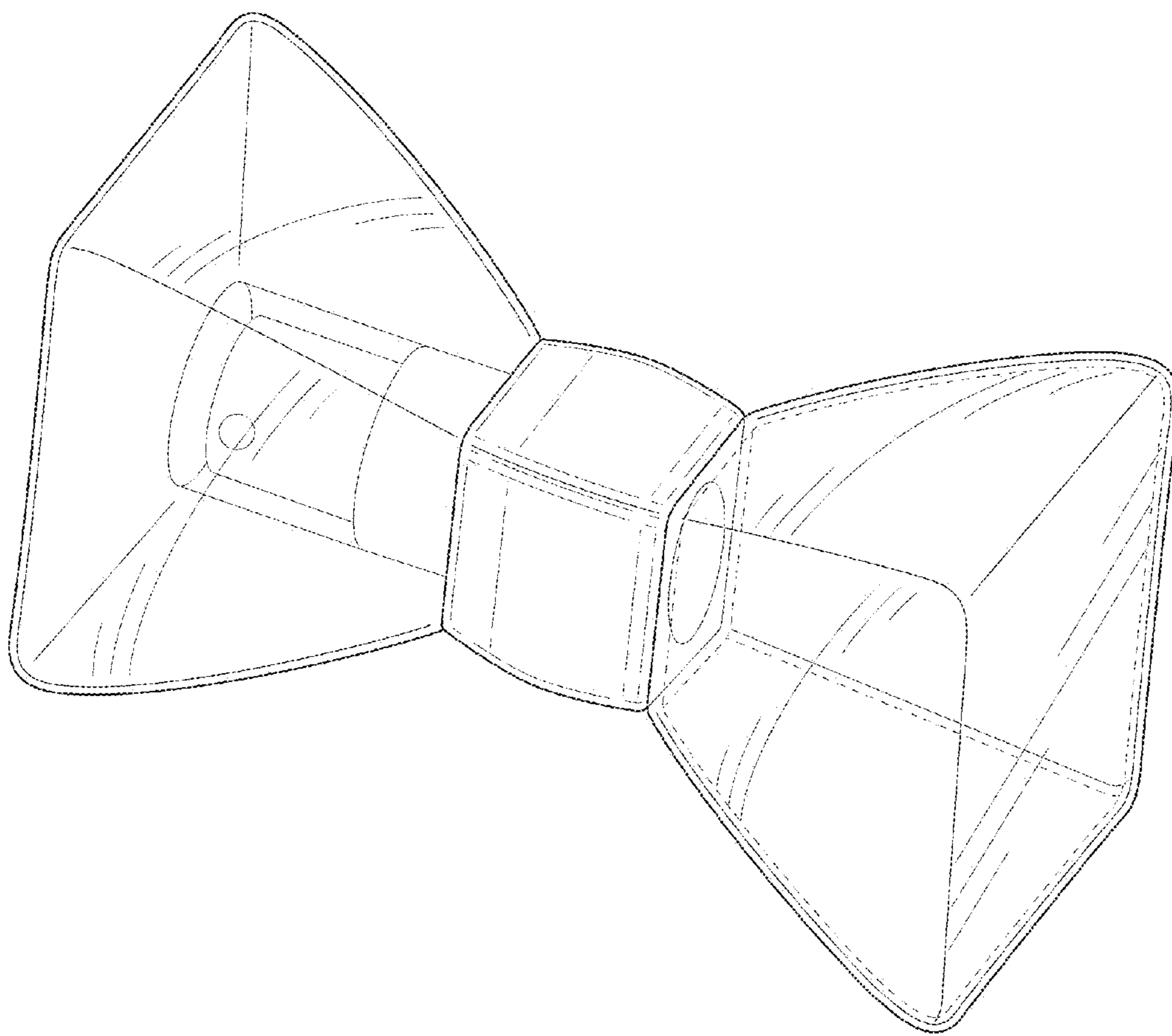


FIG. 1

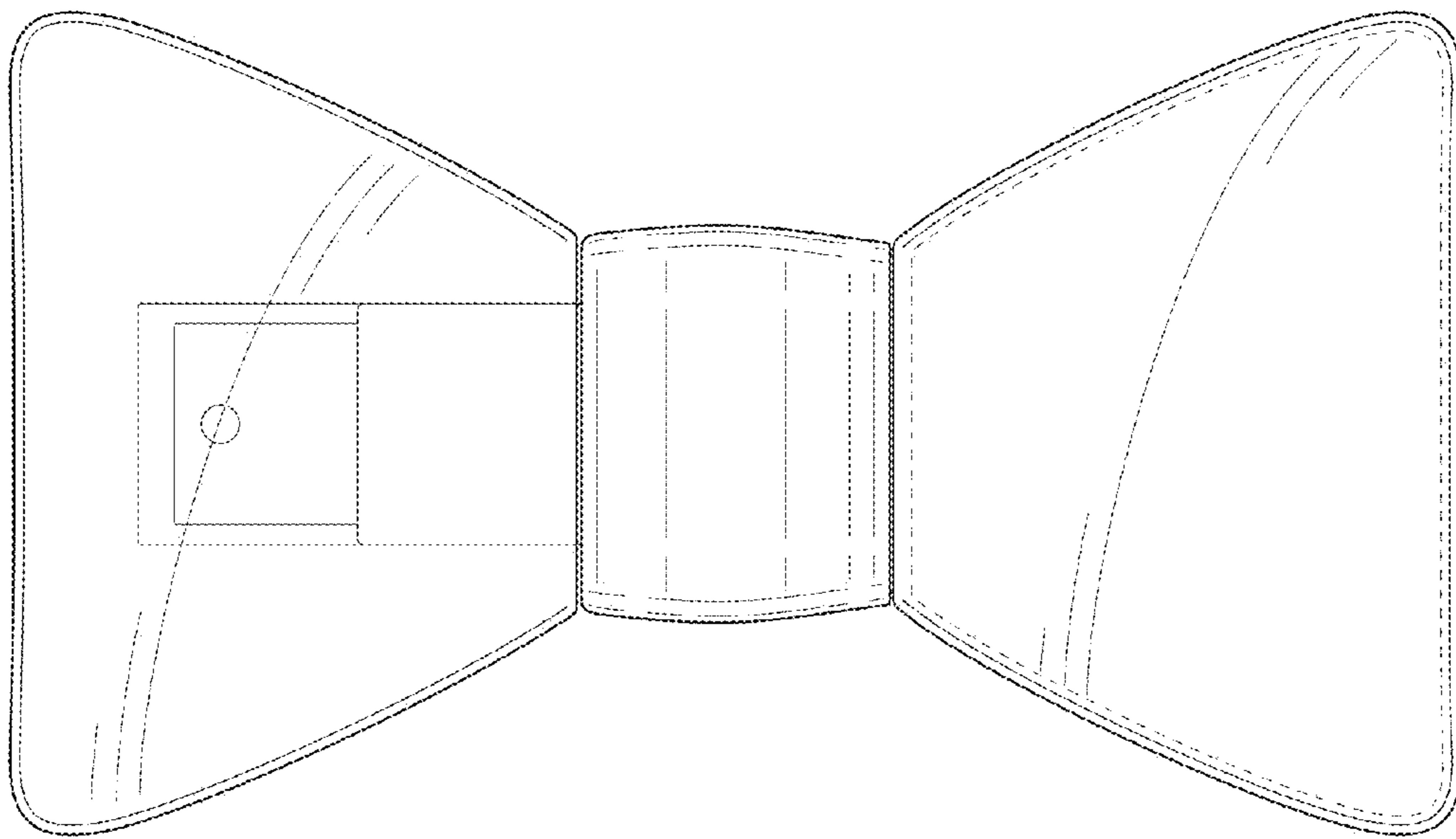


FIG. 2

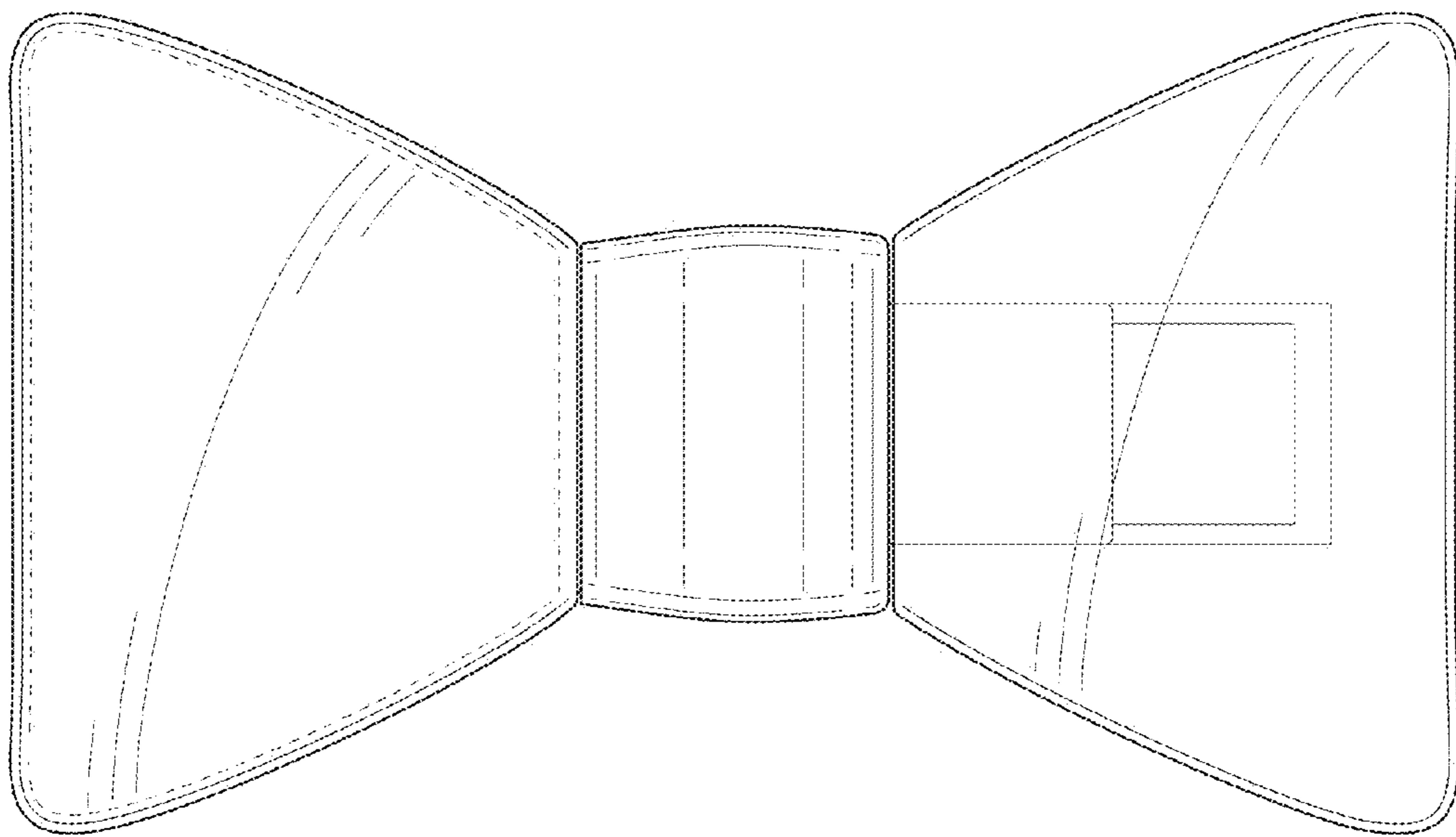


FIG. 3

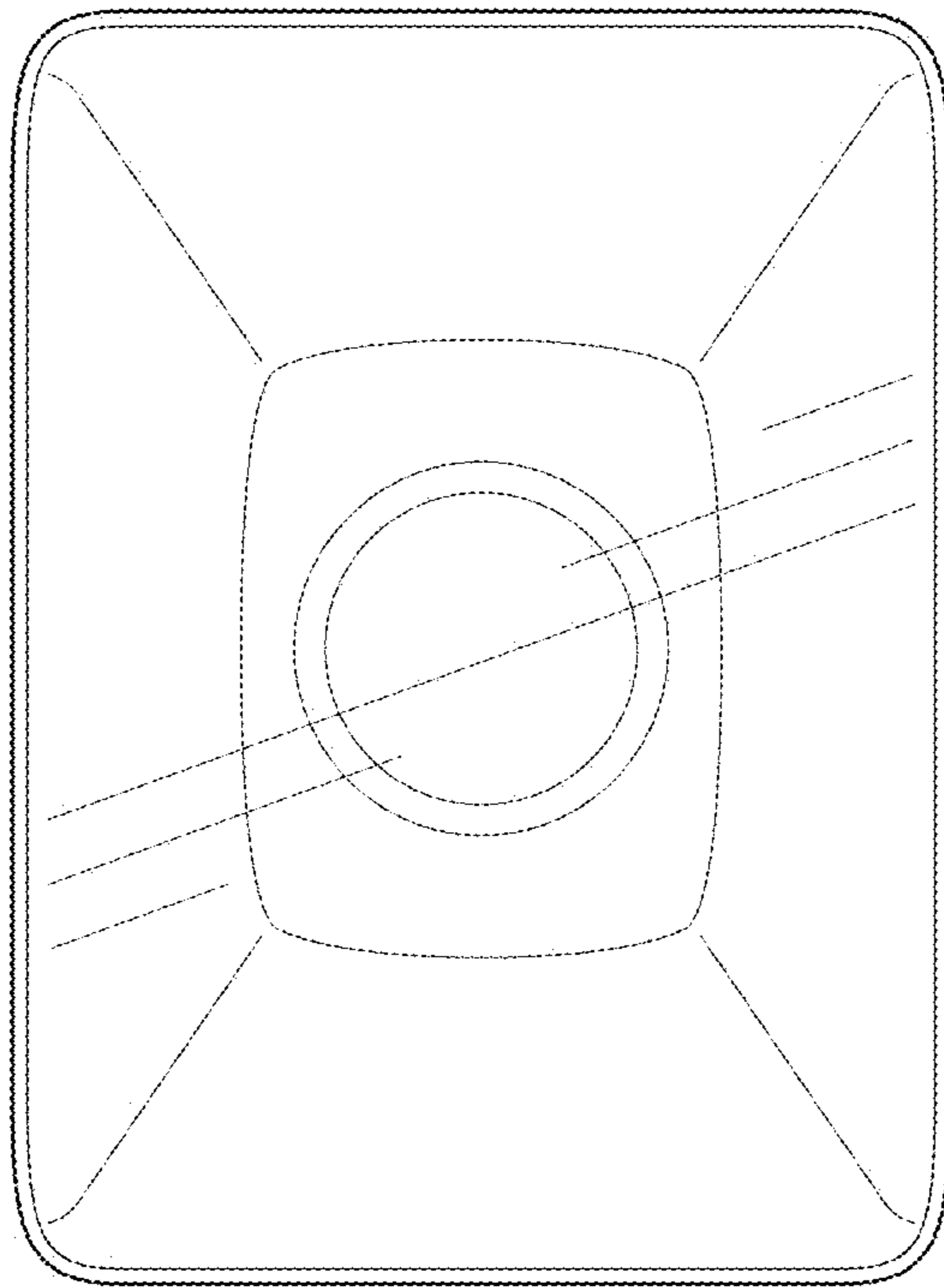


FIG. 4

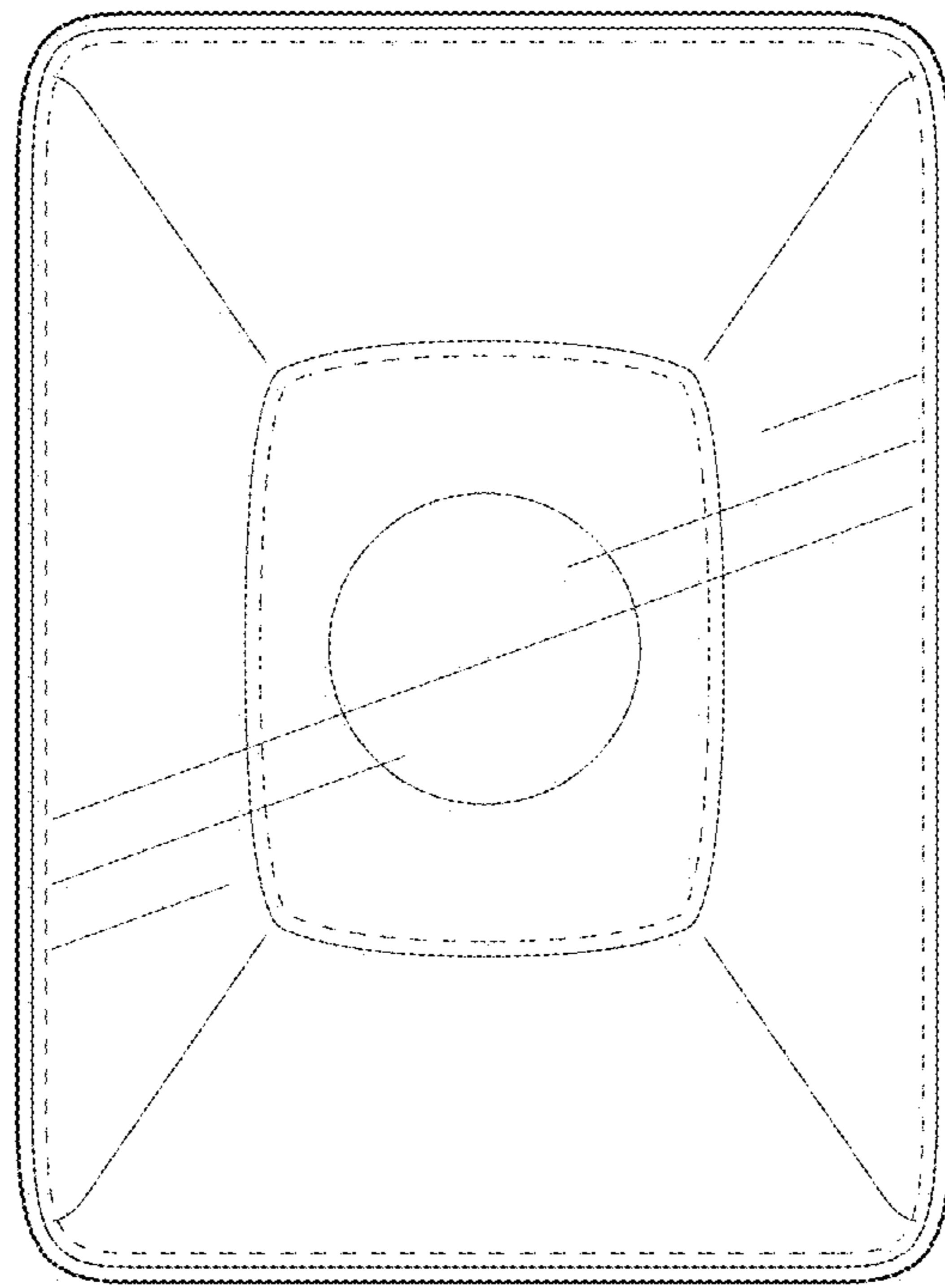


FIG. 5

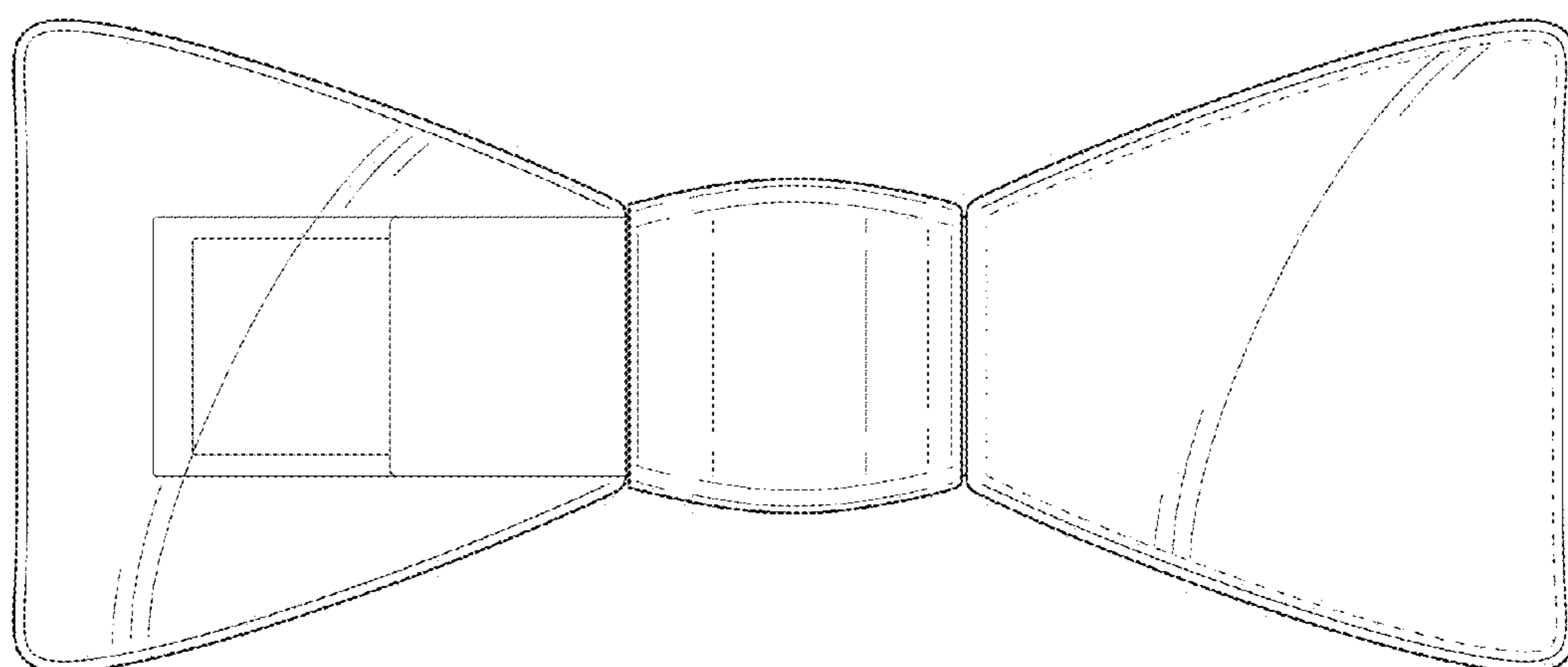


FIG. 6

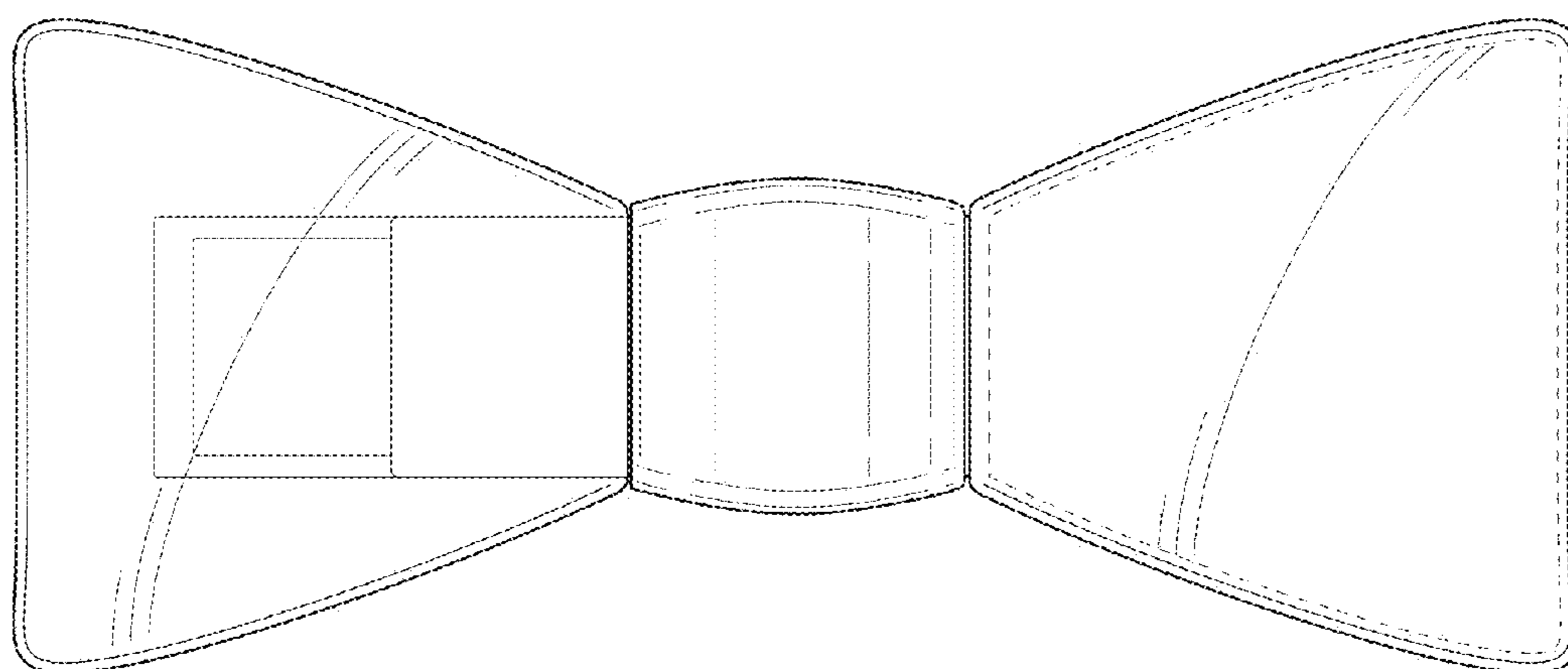


FIG. 7

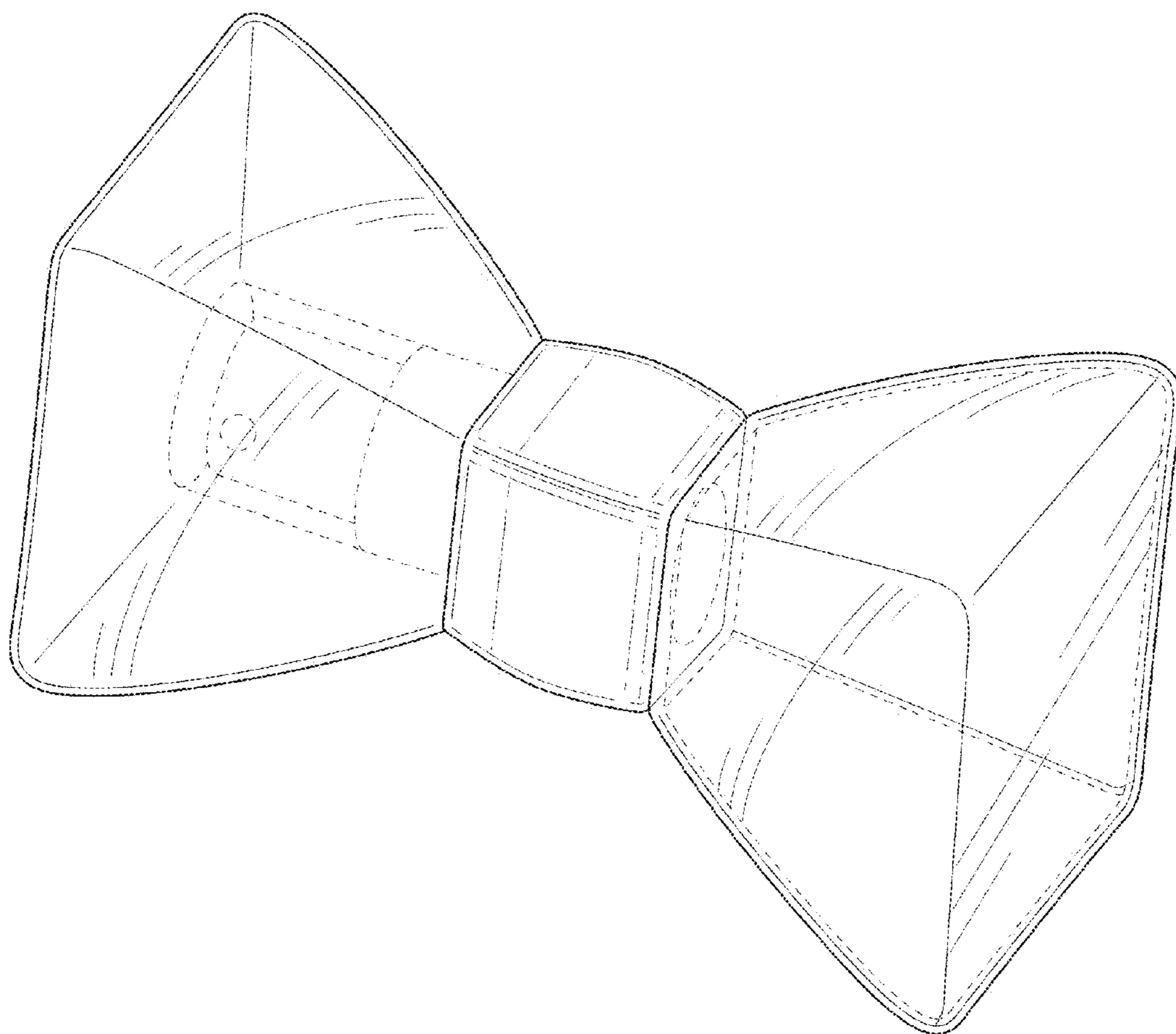


FIG. 8

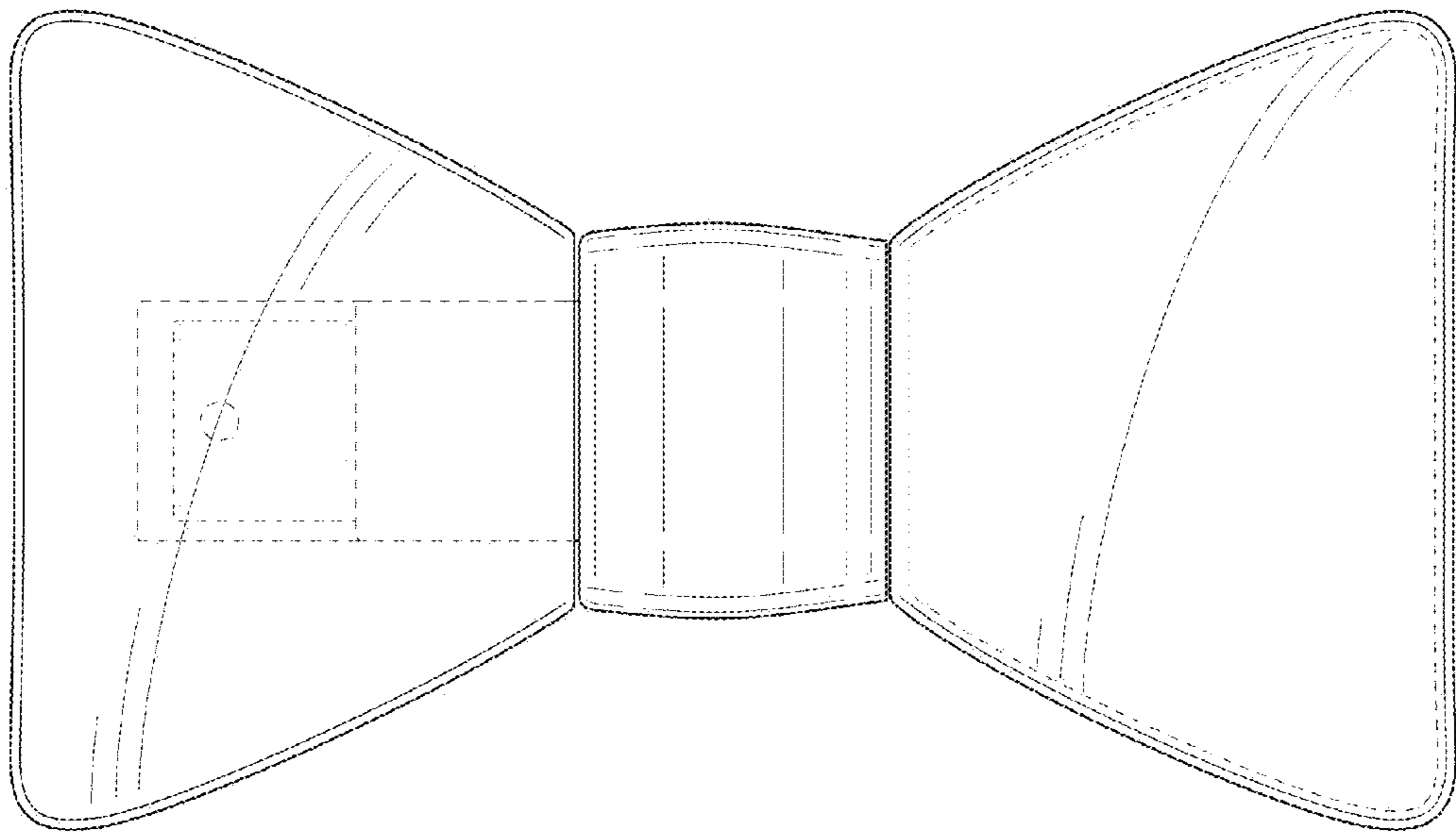


FIG. 9

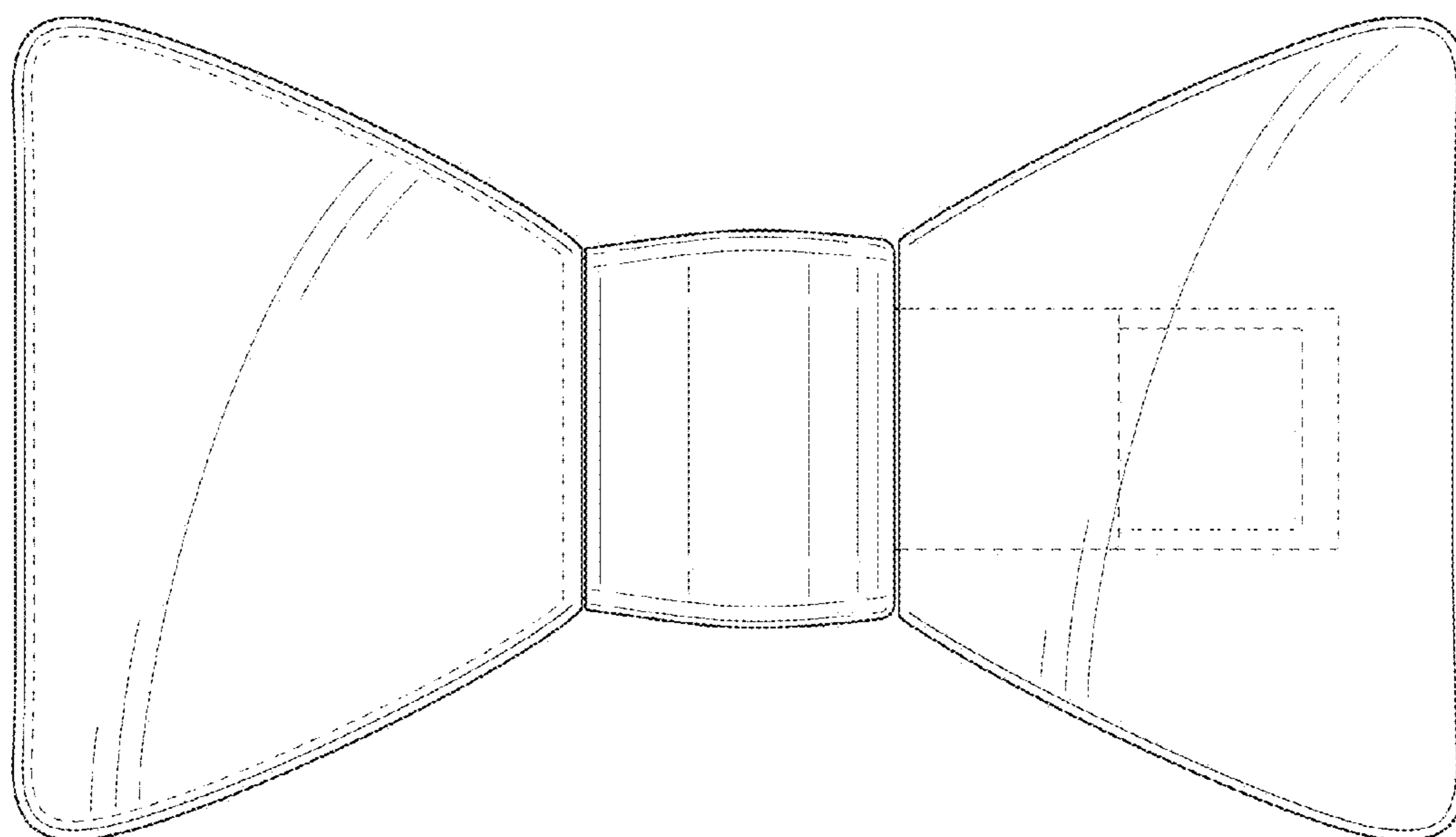


FIG. 10

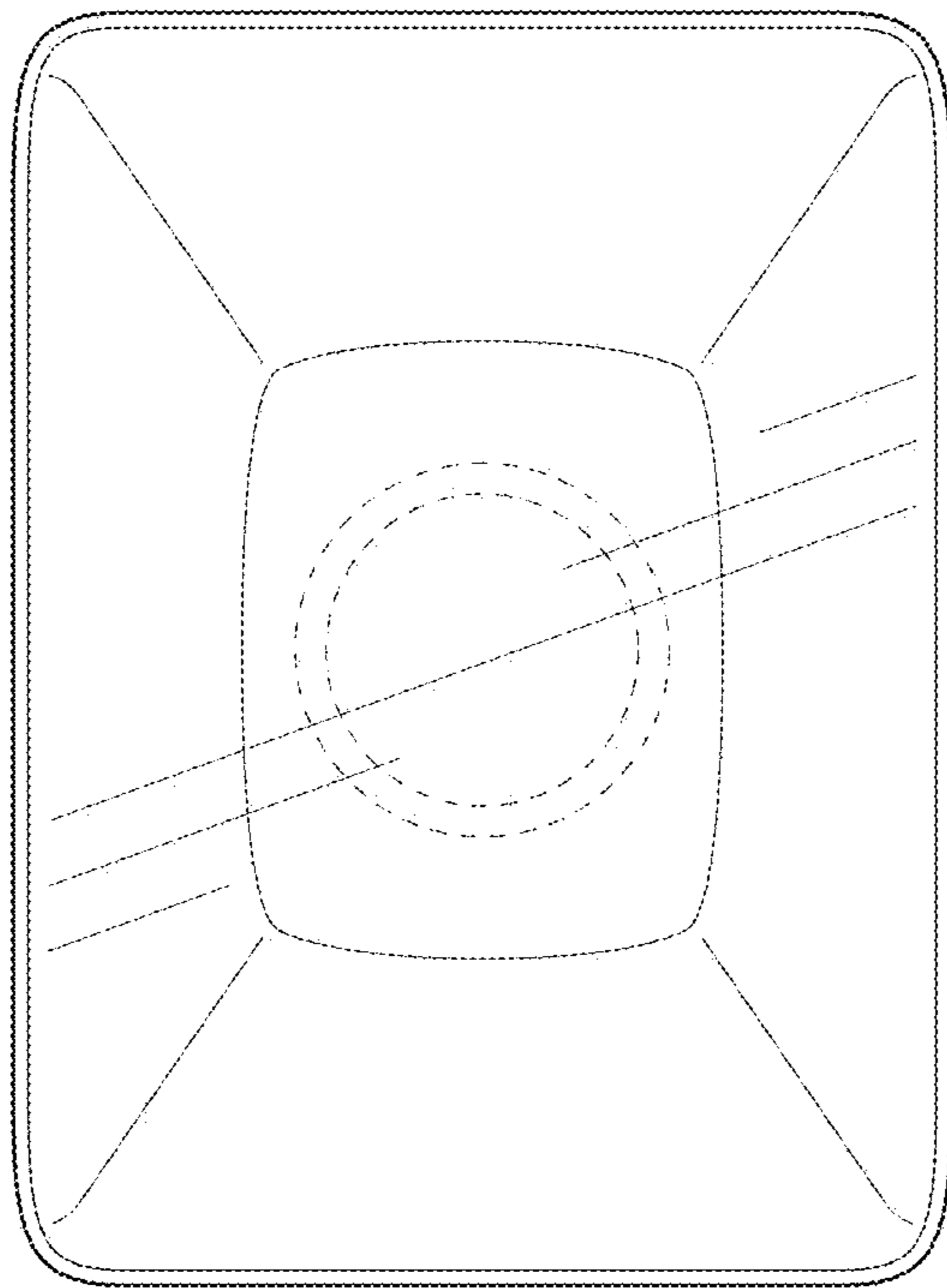


FIG. 11

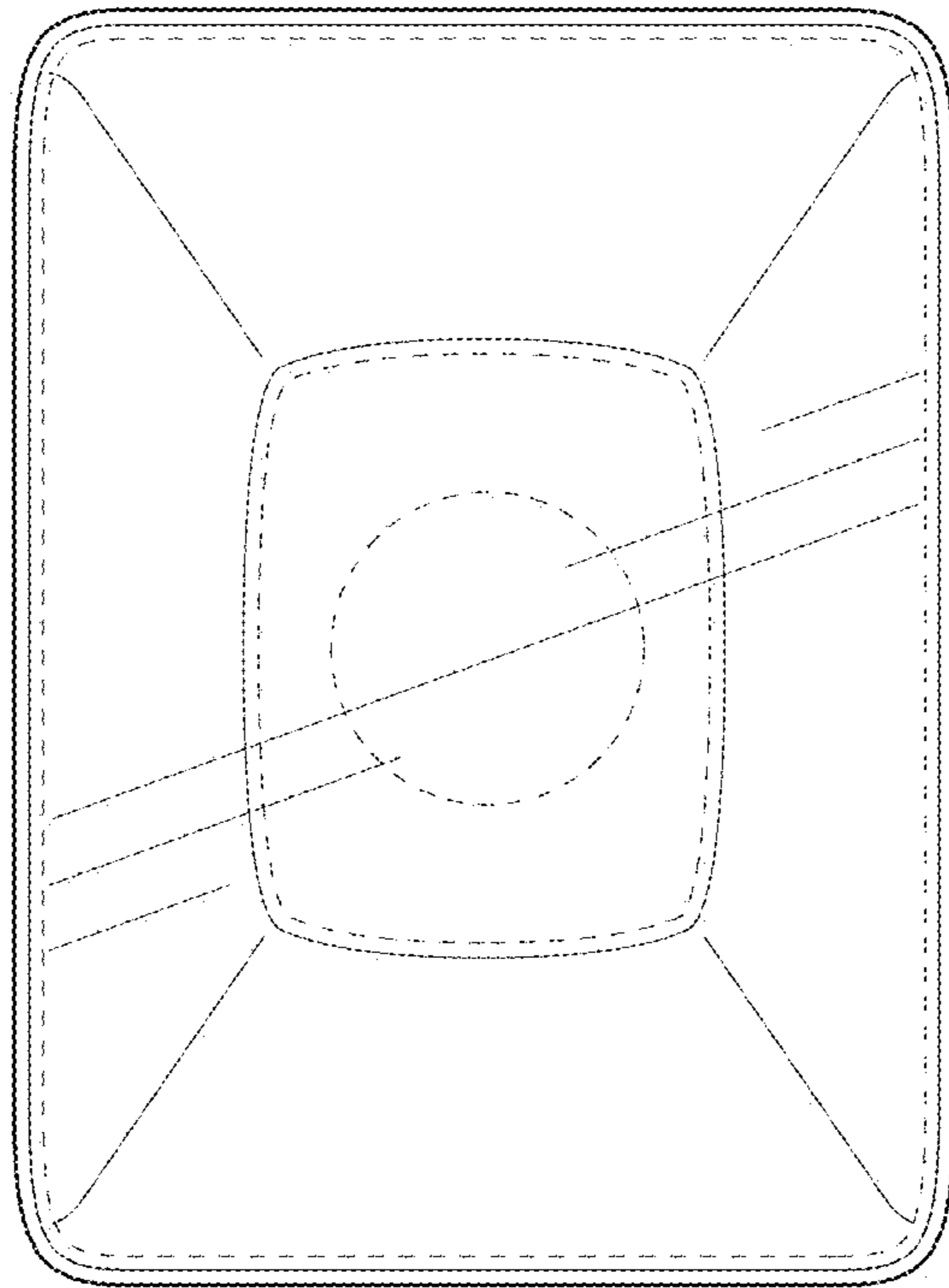


FIG. 12

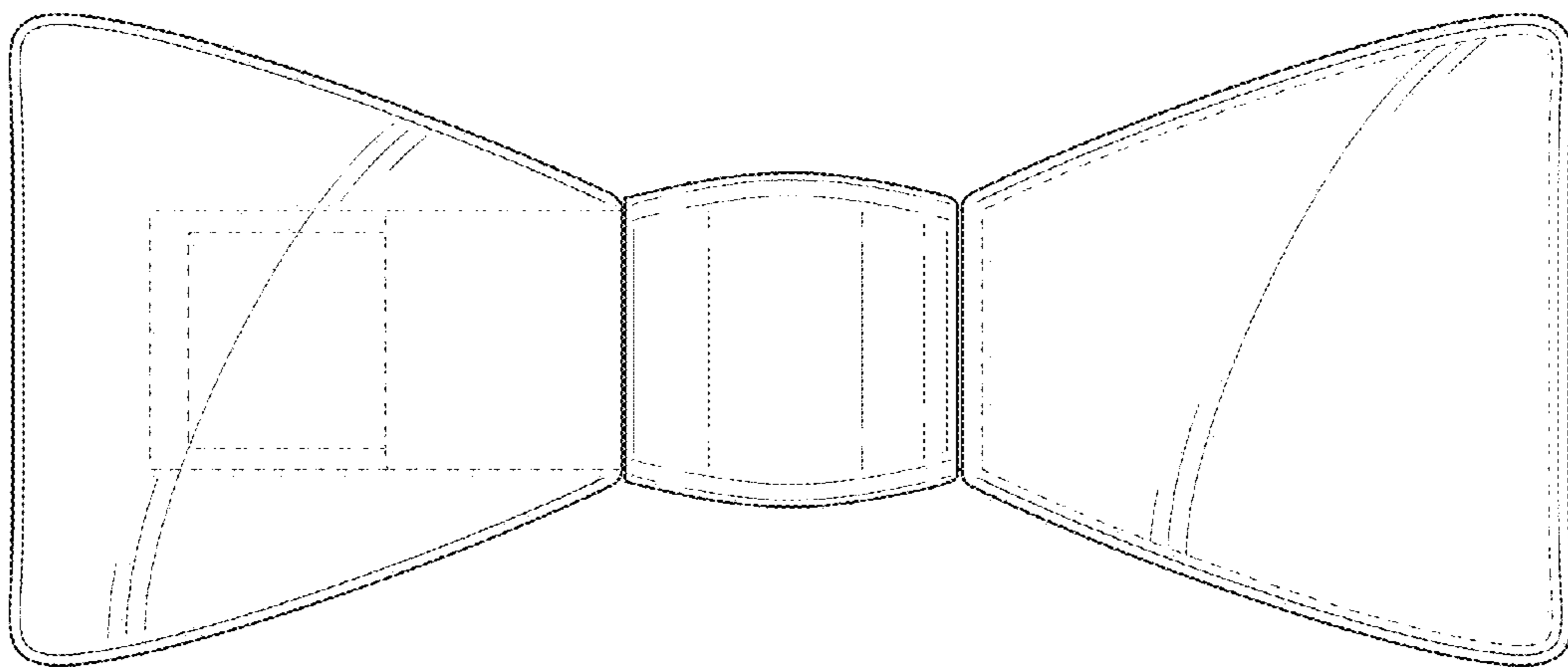


FIG. 13

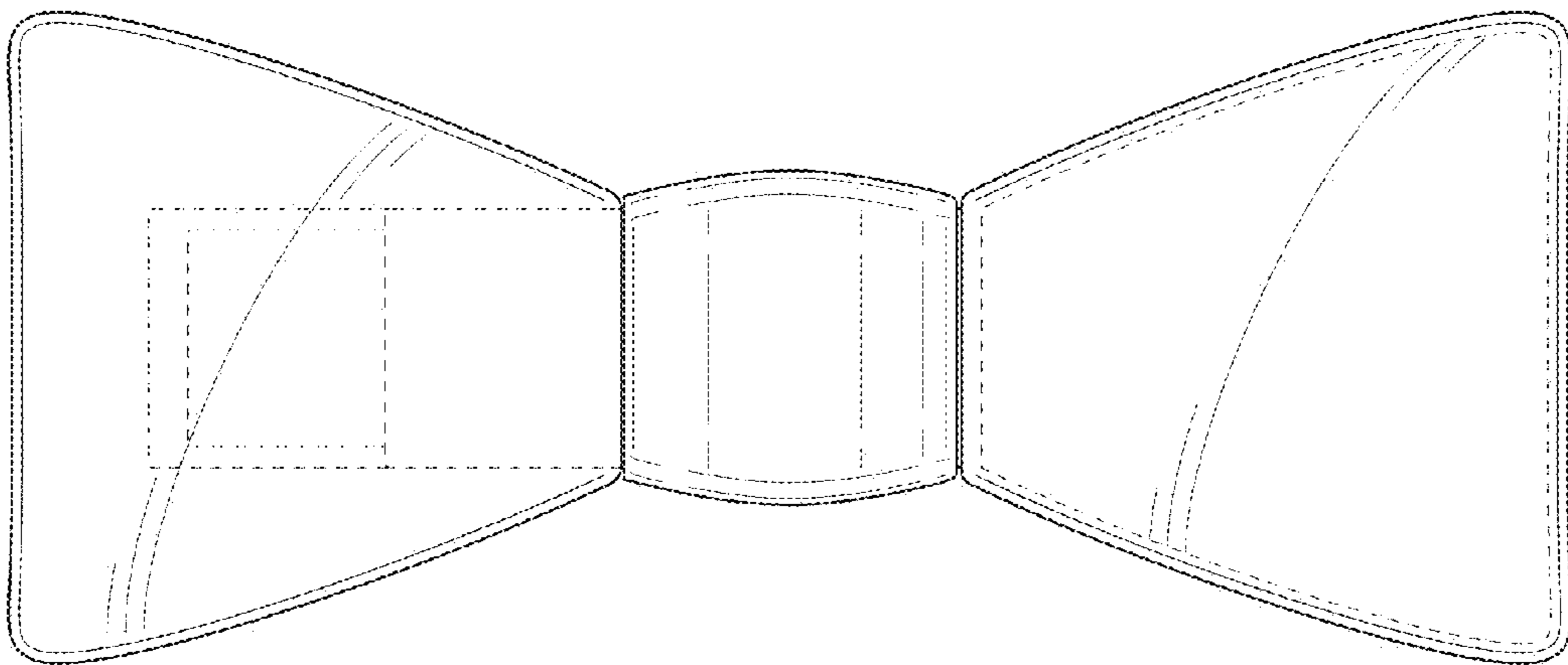


FIG. 14

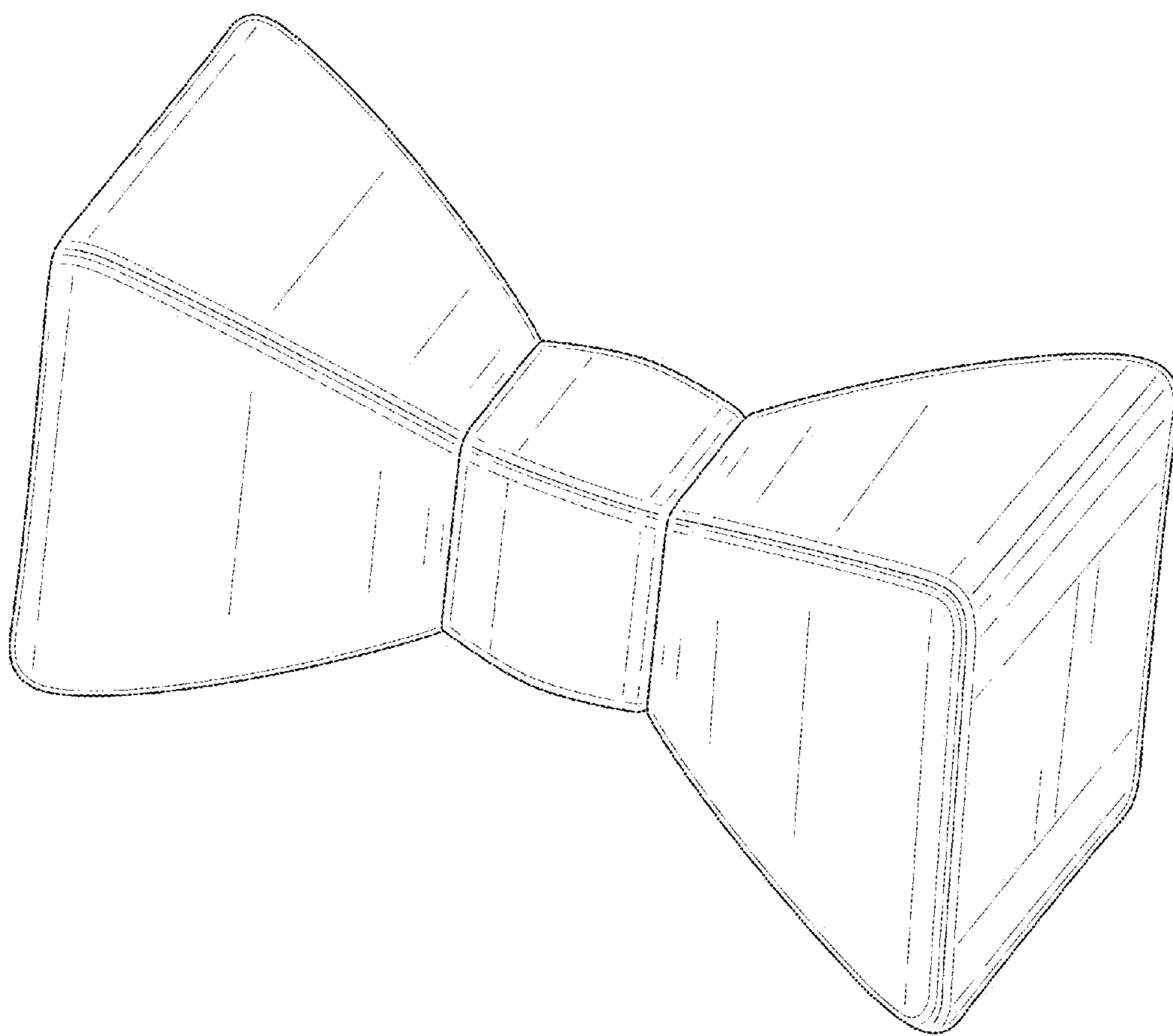


FIG. 15

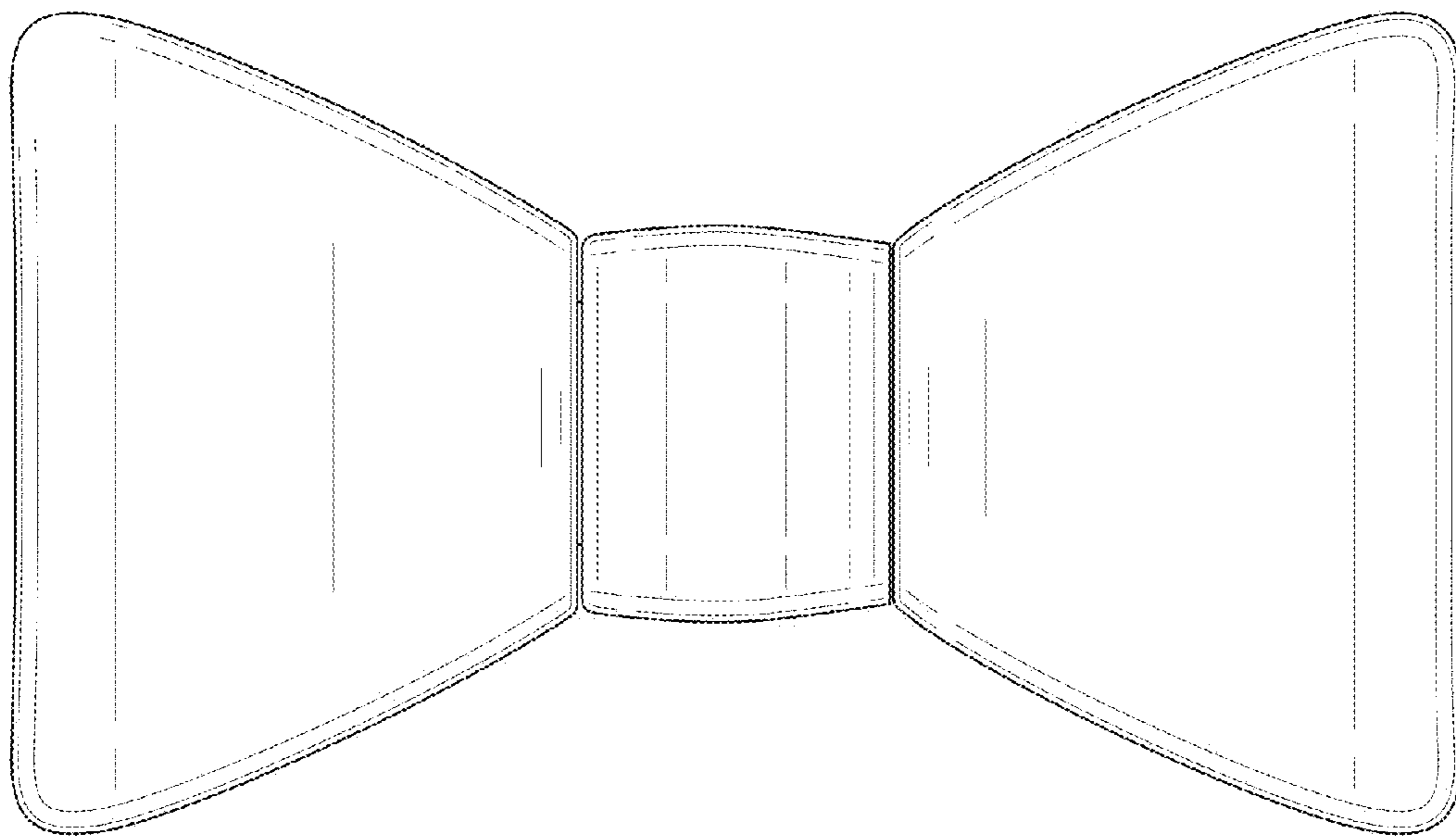


FIG. 16

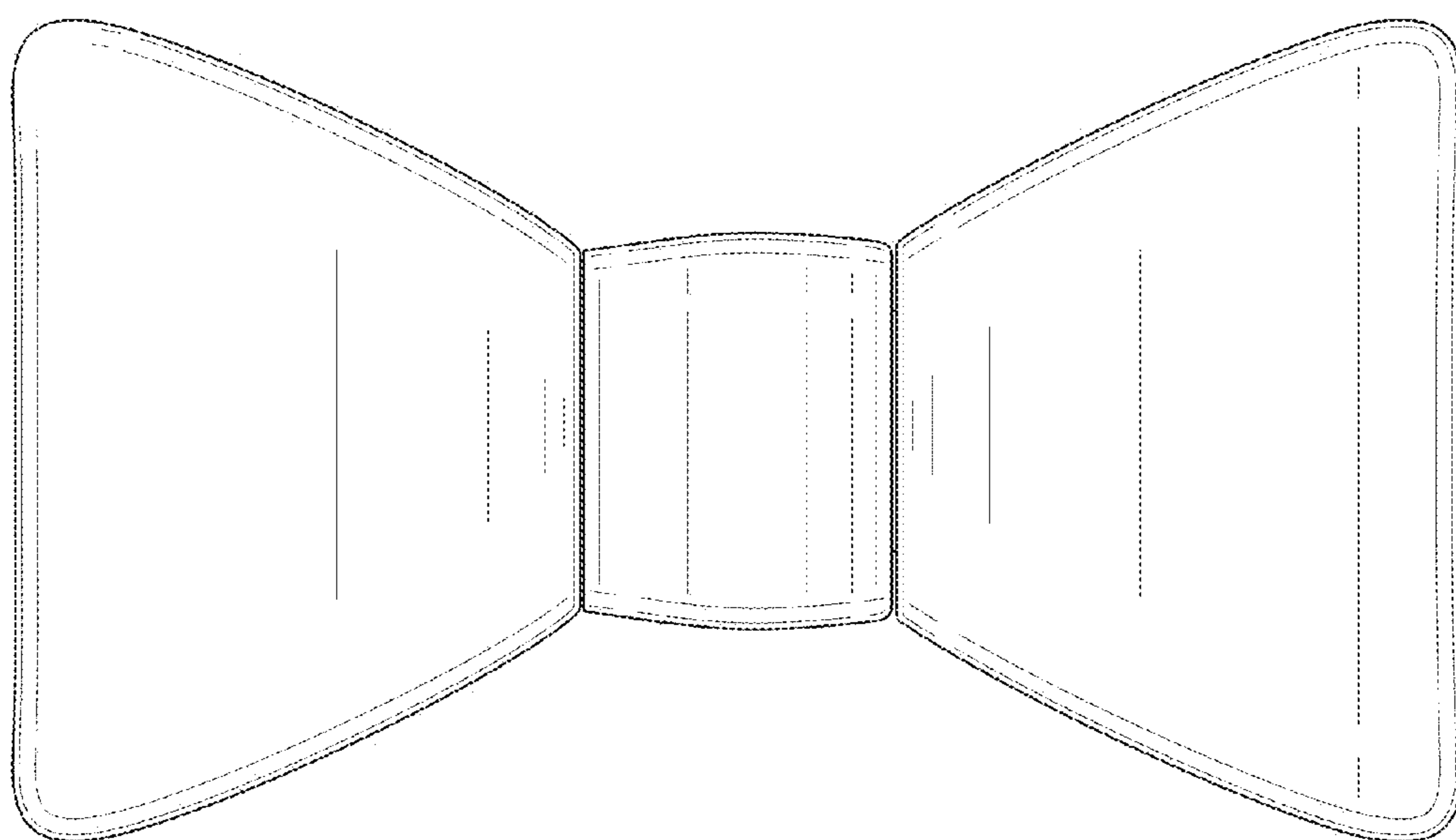


FIG. 17

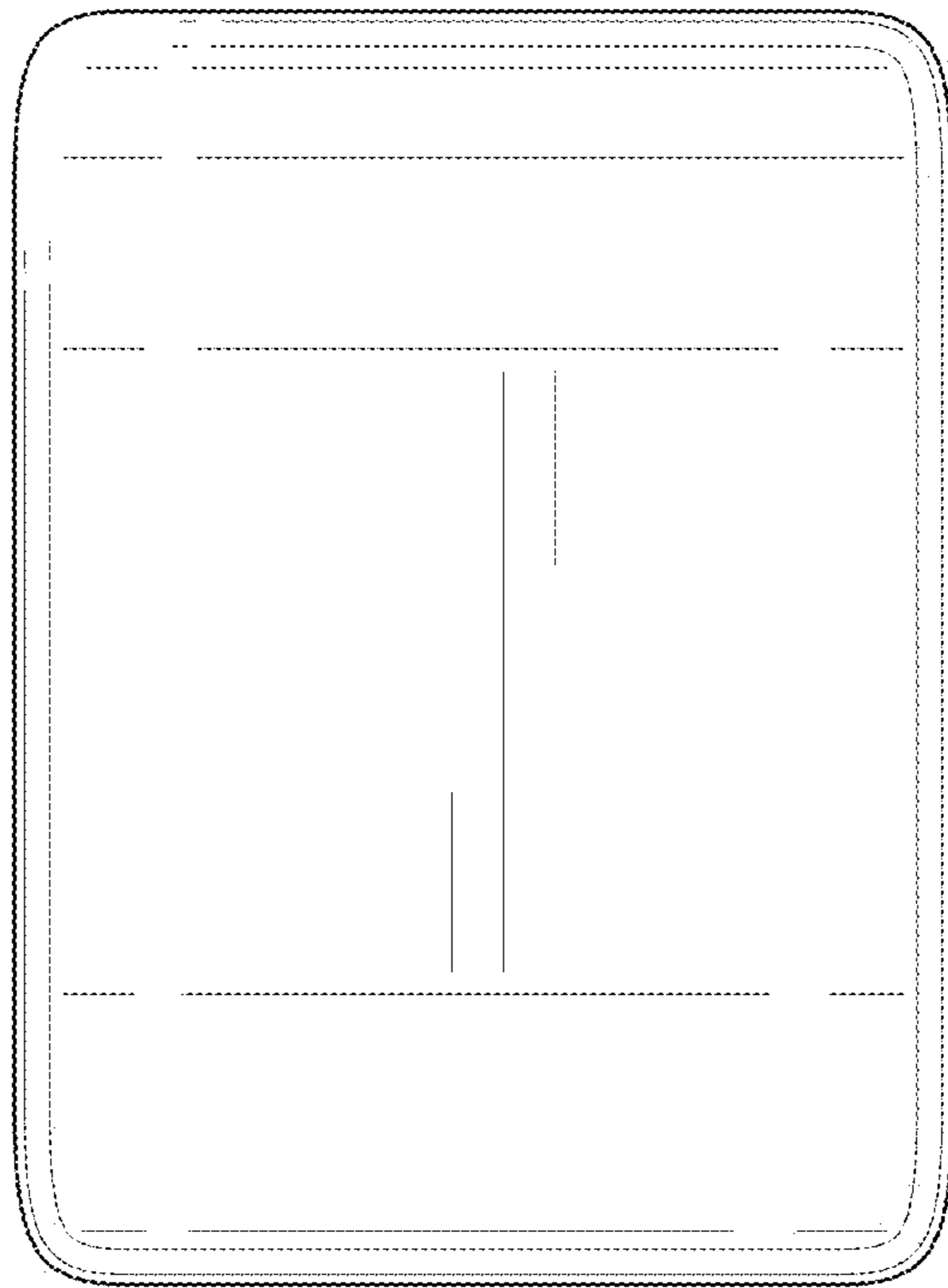


FIG. 18

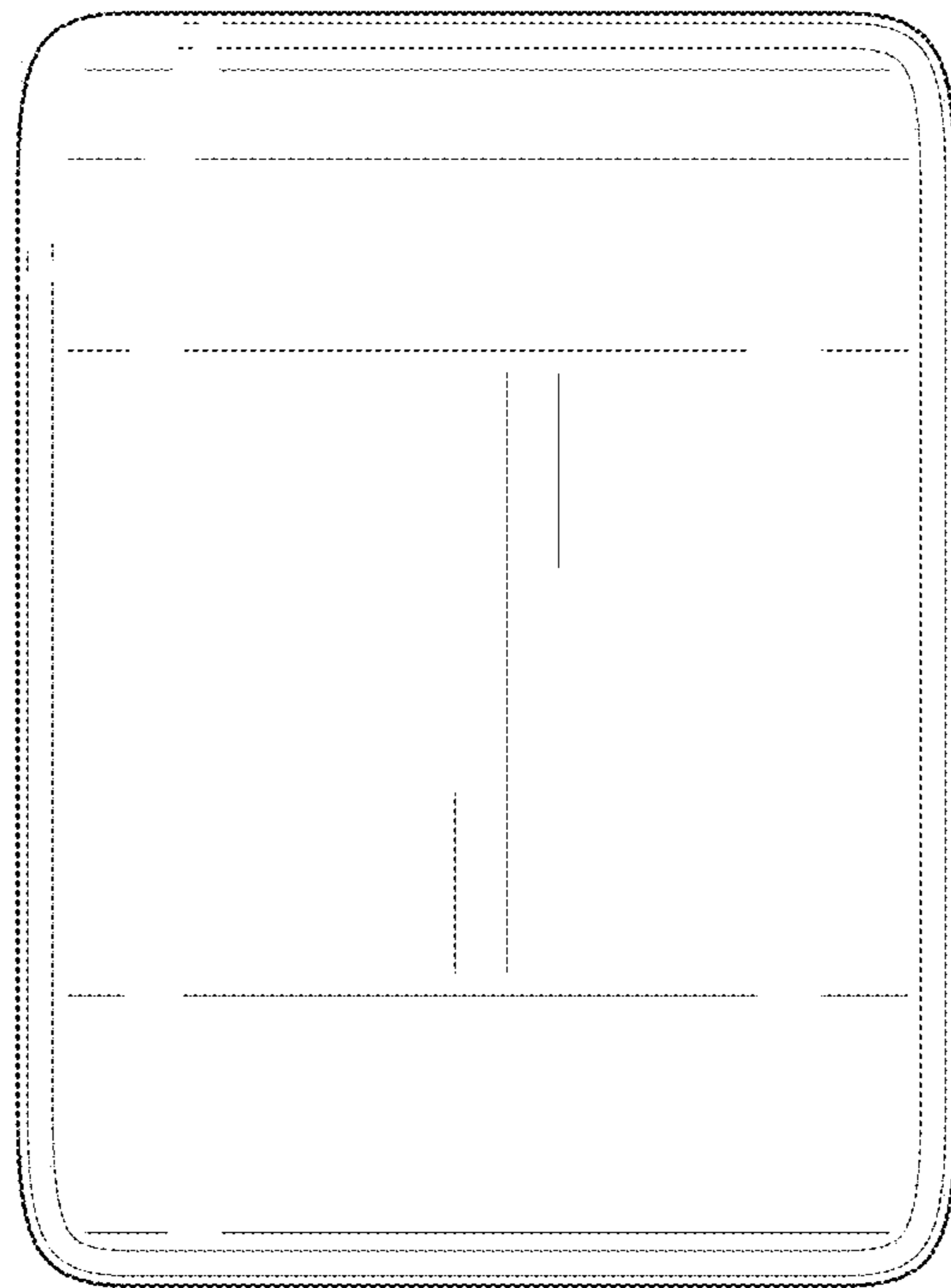


FIG. 19

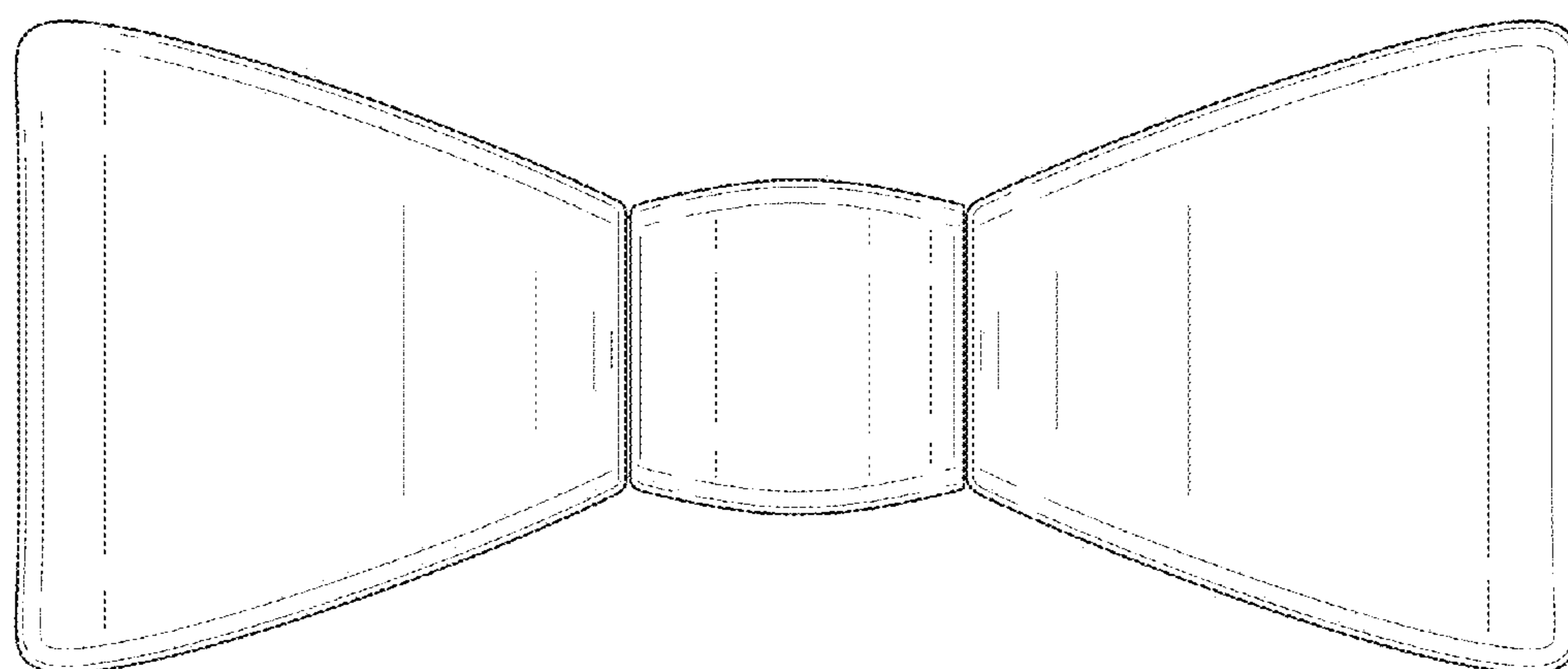


FIG. 20

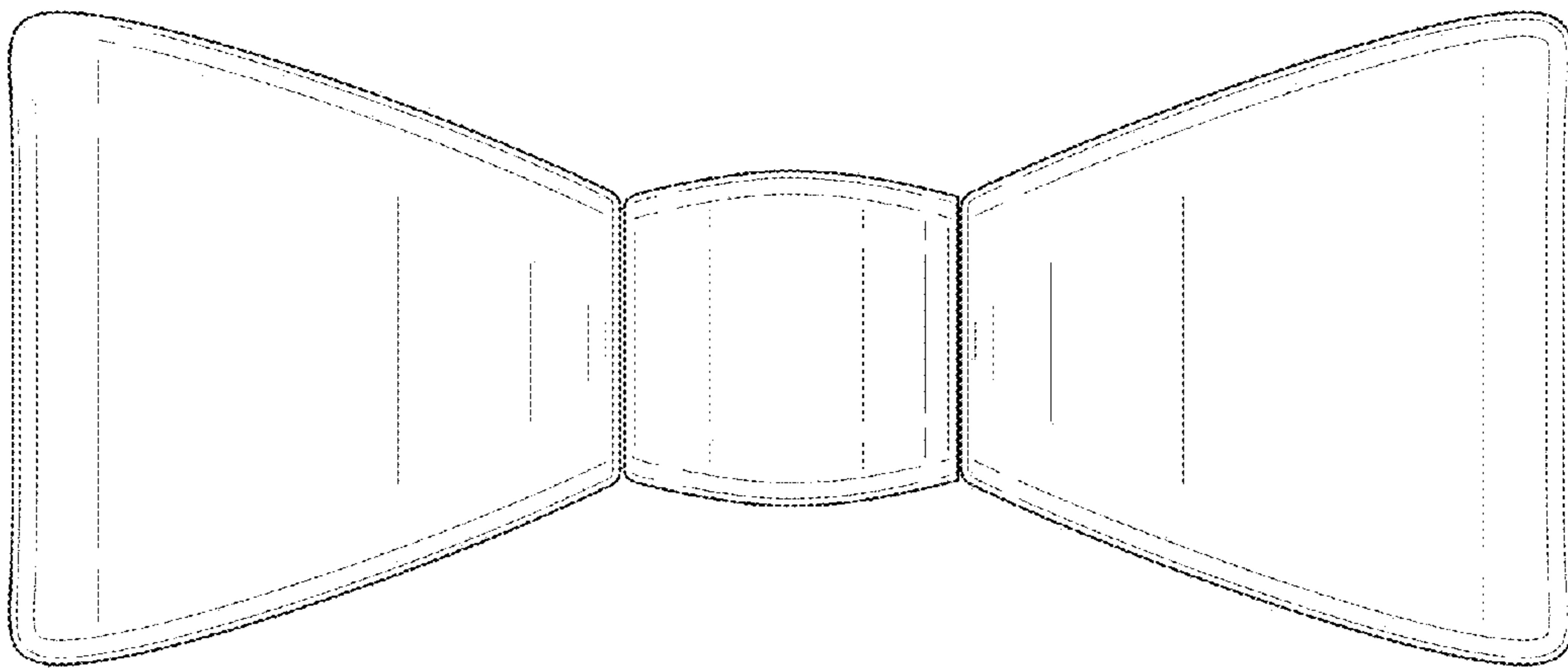


FIG. 21