



US00D727163S

(12) **United States Design Patent**
Guy

(10) **Patent No.:** **US D727,163 S**

(45) **Date of Patent:** **** Apr. 21, 2015**

(54) **CONTAINER HAVING THE SHAPE OF A DUCK CALL**

D502,119 S * 2/2005 Primos et al. D10/119.1
D535,476 S * 1/2007 Pennington D3/271.1
D624,239 S * 9/2010 Breidenbach et al. D28/7

(71) Applicant: **Richard J Guy**, Fayetteville, NC (US)

* cited by examiner

(72) Inventor: **Richard J Guy**, Fayetteville, NC (US)

Primary Examiner — Sandra Morris

(**) Term: **14 Years**

(74) *Attorney, Agent, or Firm* — Womble Carlyle Sandridge & Rice LLP; Jeffrey R. McFadden

(21) Appl. No.: **29/478,663**

(57) **CLAIM**

The ornamental design for a container having the shape of a duck call, as shown and described.

(22) Filed: **Jan. 7, 2014**

(51) **LOC (10) Cl.** **09-01**

DESCRIPTION

(52) **U.S. Cl.**

USPC **D9/600**; D10/119.1

(58) **Field of Classification Search**

USPC D9/600, 668, 680; D7/514–515, 517,
D7/519–520, 3; D3/211, 270–271.1;
215/381–384, 387–388; 206/376, 457,
206/527; 446/202–208; D10/119.1, 119.2

See application file for complete search history.

FIG. 1 is a perspective view showing my new design of a container having the shape of a duck call in the open position; FIG. 2 is a perspective view of a container having the shape of a duck call in the partially closed position; FIG. 3 is an elevation view of the receptacle end of the container having the shape of a duck call, the opposite side being a mirror image thereof; and, FIG. 4 is an elevation view of the cap end of the container having the shape of a duck call, the opposite side being a mirror image thereof.

The broken line showing is for illustrative purposes only, and forms no part of the claimed design.

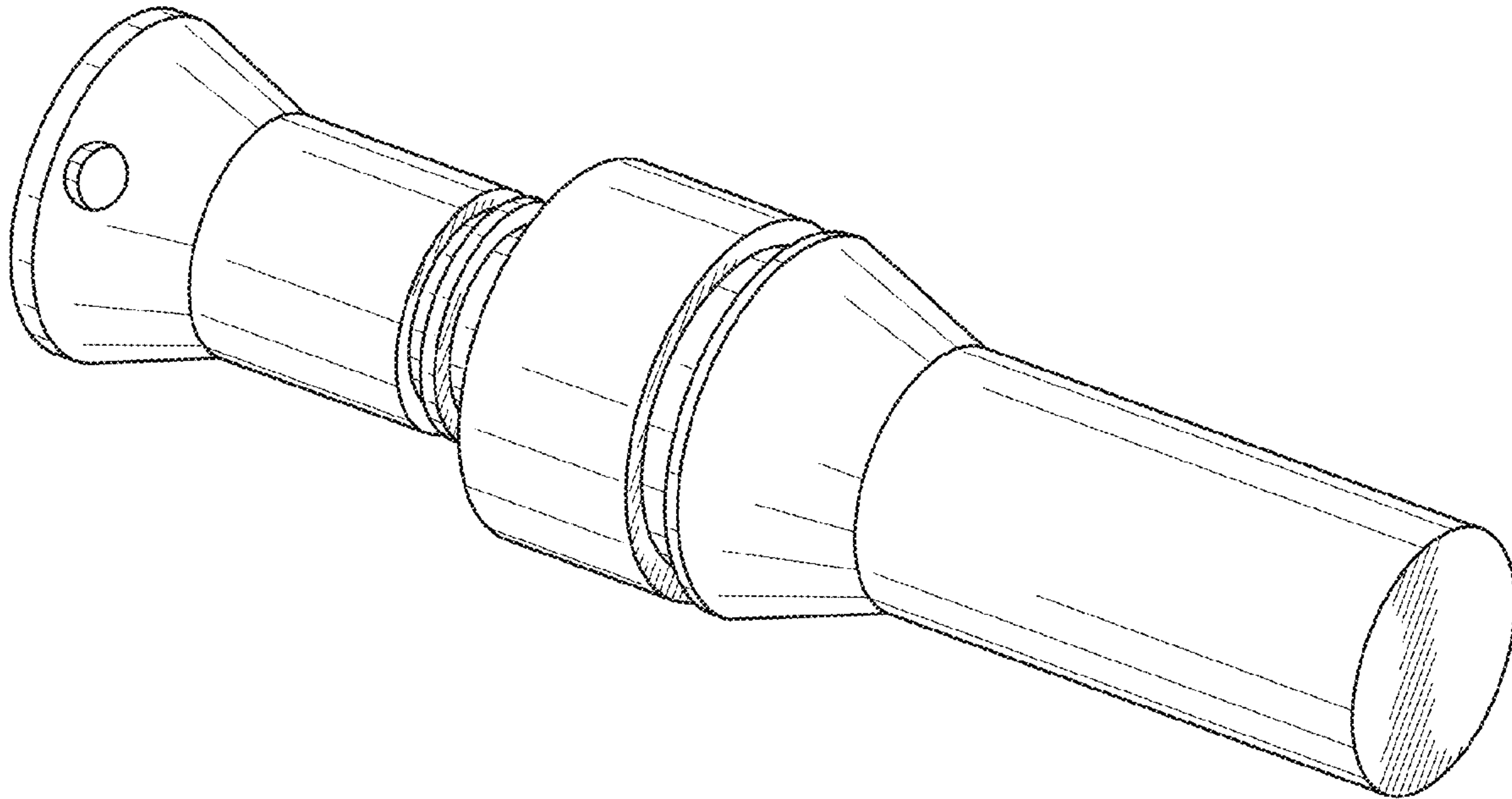
The views of the container having the shape of a duck call that are not shown form no part of the claimed design.

(56) **References Cited**

U.S. PATENT DOCUMENTS

D405,378 S * 2/1999 Rhodes D10/119.2
D441,679 S * 5/2001 Foiles D10/119.2
6,435,933 B1 * 8/2002 Browne 446/207
D467,831 S * 12/2002 Rauber D3/211
6,527,614 B1 * 3/2003 Primos 446/207

1 Claim, 4 Drawing Sheets



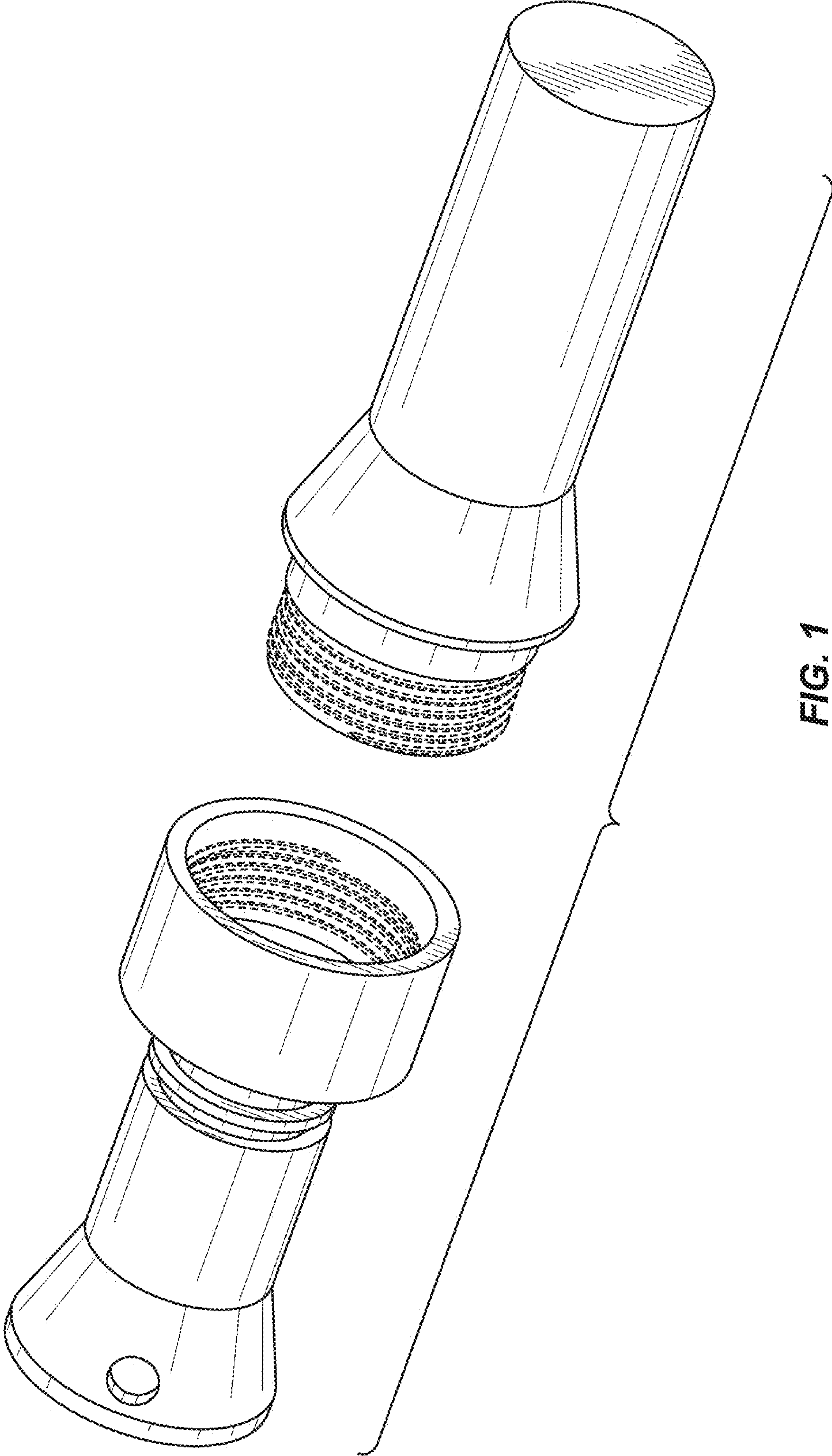


FIG. 1

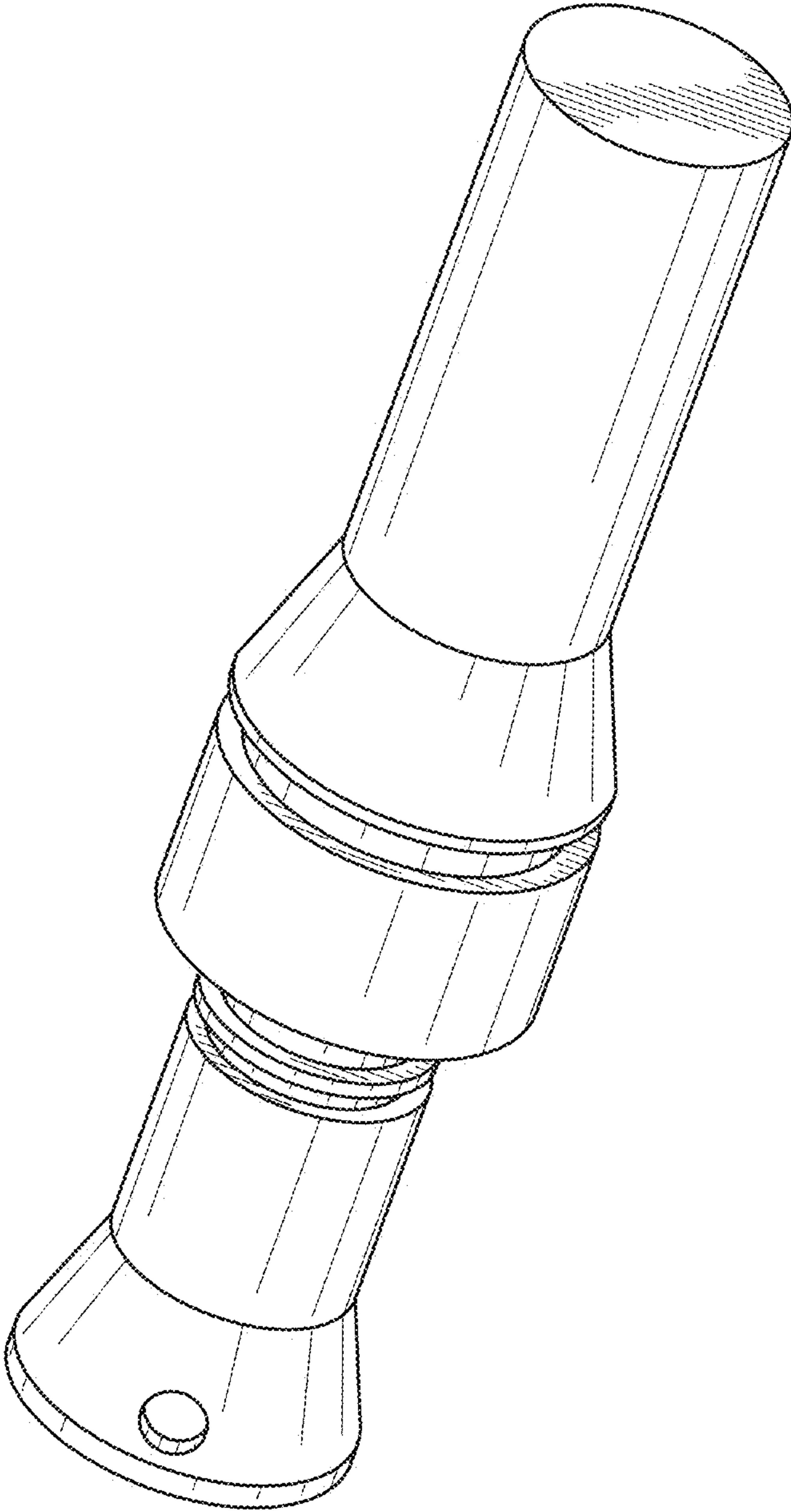


FIG. 2

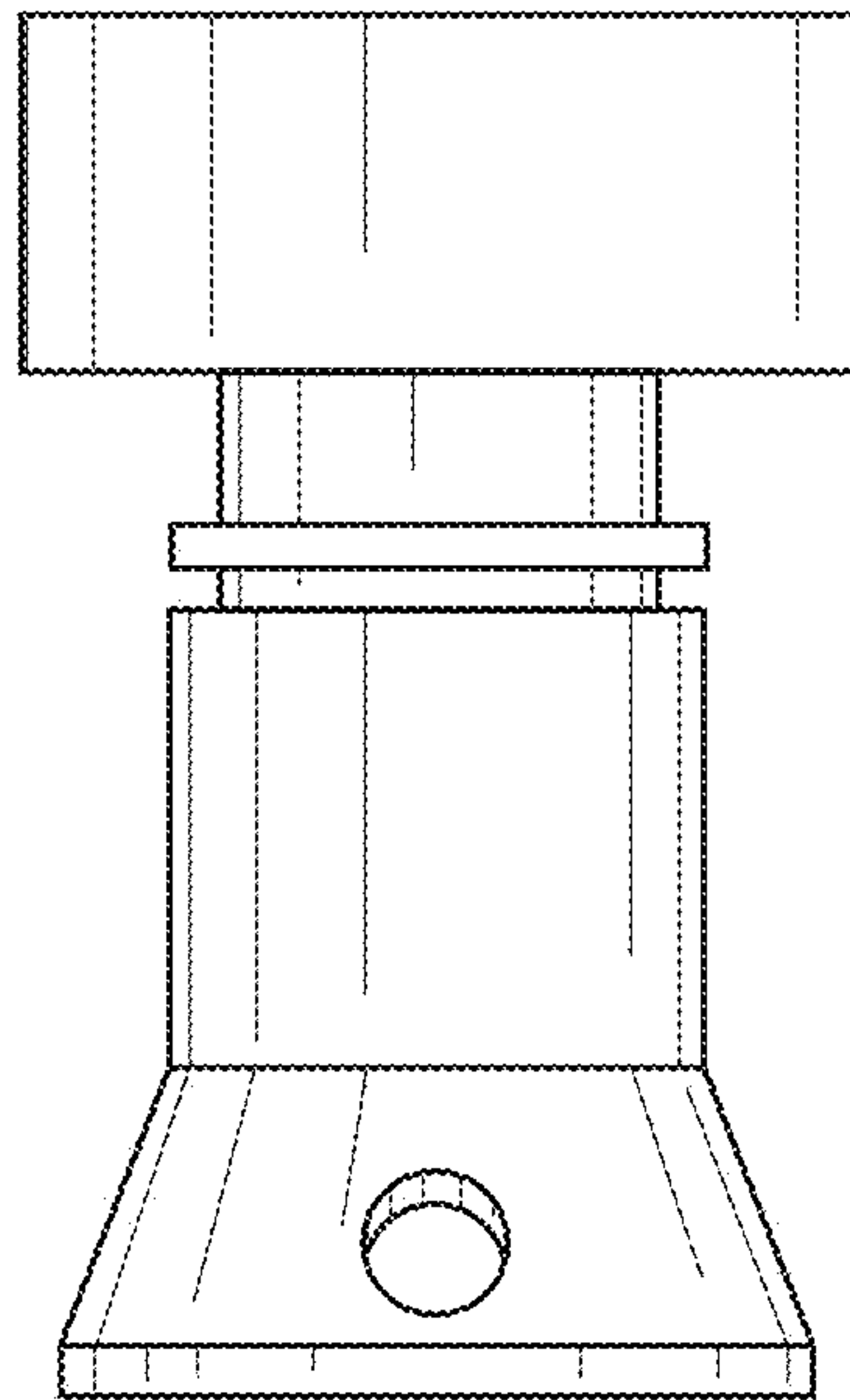


FIG. 3

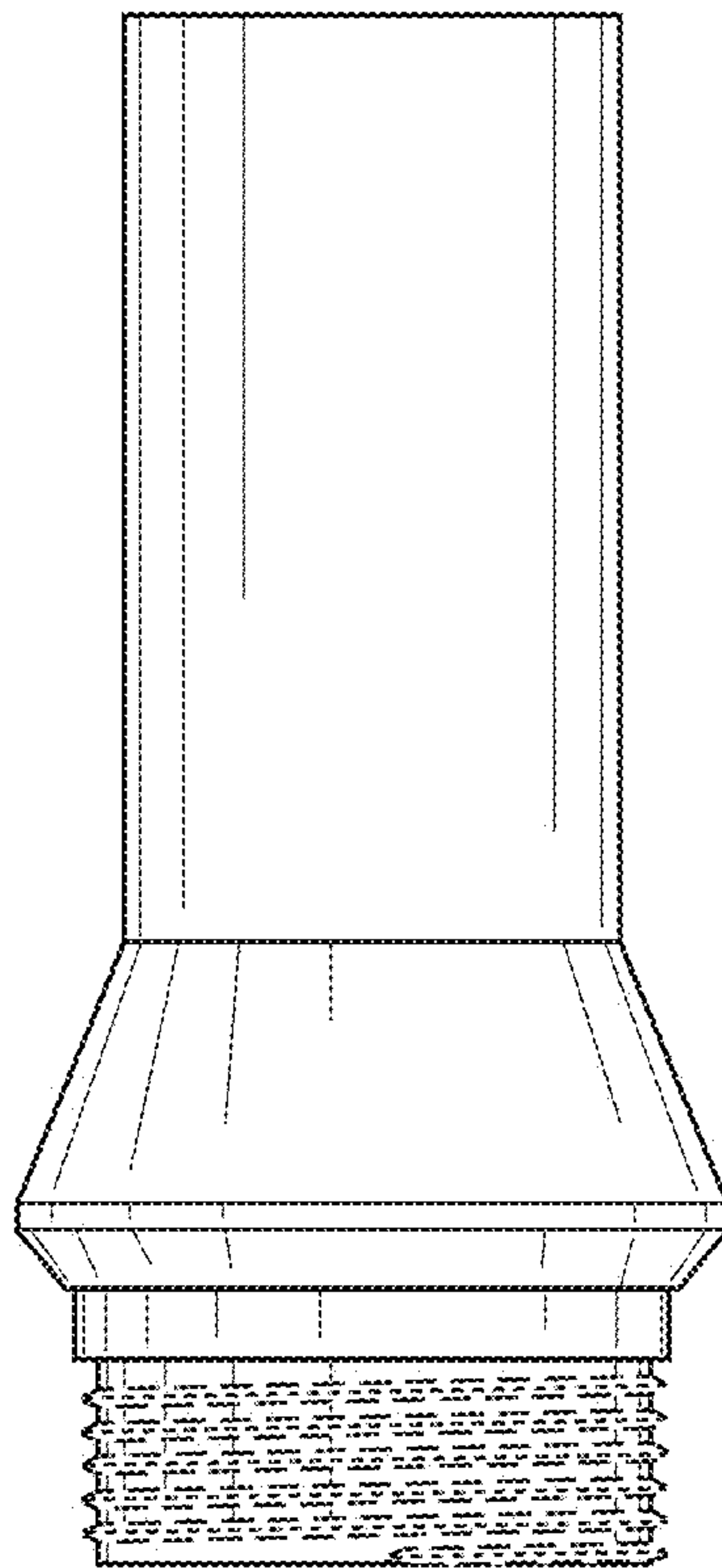


FIG. 4