



US00D727161S

(12) **United States Design Patent**
Fort

(10) **Patent No.:** **US D727,161 S**
(45) **Date of Patent:** **** Apr. 21, 2015**

(54) **BOTTLE**

(71) Applicant: **Cognac Ferrand, Viroflay (FR)**

(72) Inventor: **Julien Fort, Gensac la Pallue (FR)**

(73) Assignee: **Cognac Ferrand, Viroflay (FR)**

(**) Term: **14 Years**

(21) Appl. No.: **29/489,411**

(22) Filed: **Apr. 30, 2014**

(30) **Foreign Application Priority Data**

Oct. 31, 2013 (EP) 002336933

(51) **LOC (10) Cl.** **09-01**

(52) **U.S. Cl.**
USPC **D9/550; D9/548; D9/551; D9/553;**
D9/556

(58) **Field of Classification Search**

CPC B65D 1/00; B65D 21/023; B65D 21/40;
B65D 21/44; B65D 23/00; B65D 23/001;
B65D 2501/00; B65D 2501/00; B65D
2501/0018; B65D 2501/0045

USPC D9/516, 544-546, 548-551, 553-556,
D9/558, 715-716, 719; D7/300, 300.1,
D7/598; 215/40, 42, 376-377, 379,
215/381-383; 220/660, 662, 669-671, 675

See application file for complete search history.

(56) **References Cited**

U.S. PATENT DOCUMENTS

D55,892 S * 7/1920 Scudder et al. D9/550
D71,631 S * 12/1926 Benjamin D9/550

D78,712 S * 6/1929 Miller D9/627
D105,540 S * 8/1937 Smith D9/550
D249,636 S * 9/1978 Wolstenholme D9/500
D295,146 S * 4/1988 Carree D9/544
D657,677 S * 4/2012 Berzosa Sanchez D9/500

FOREIGN PATENT DOCUMENTS

EP 1772476 S 10/2010
EP 1772500 S 10/2010
EP 1241616 S 11/2010

OTHER PUBLICATIONS

European Community Trademark Registration No. 8937989, owned by Investigacion Y Desarrollo del Vino S.L.

* cited by examiner

Primary Examiner — Ian Simmons

Assistant Examiner — Dana L Meyrow

(74) *Attorney, Agent, or Firm* — WRB-IP LLP; David J. Serbin

(57) **CLAIM**

The ornamental design for a bottle, as shown and described.

DESCRIPTION

FIG. 1 is a front view of a bottle, showing the new design;

FIG. 2 is a top view thereof;

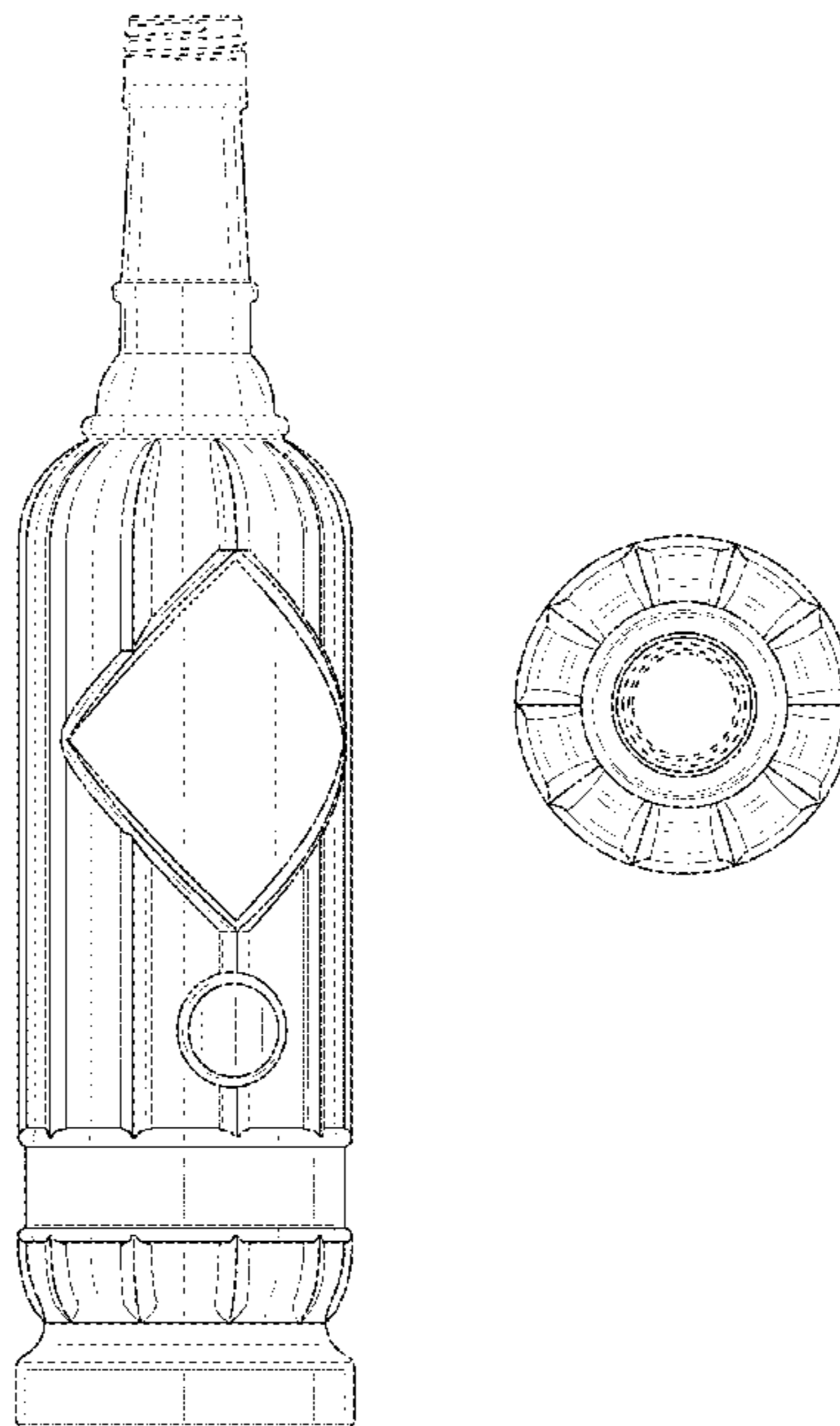
FIG. 3 is a bottom view thereof;

FIG. 4 is a side view thereof; and,

FIG. 5 is a back view thereof.

The broken lines in the drawings illustrate the portions of the design that form no part of the claim.

1 Claim, 4 Drawing Sheets



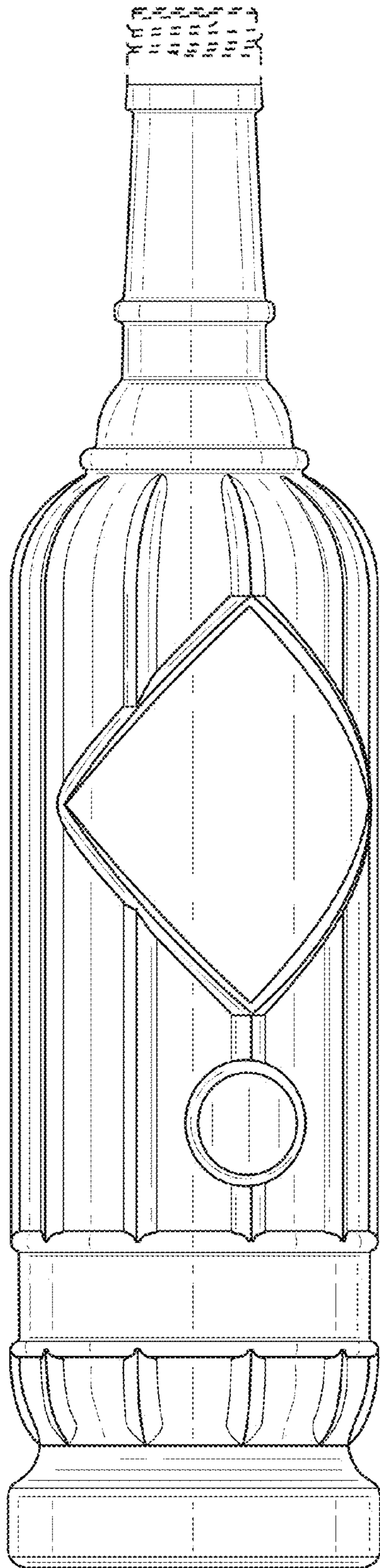


FIG. 1

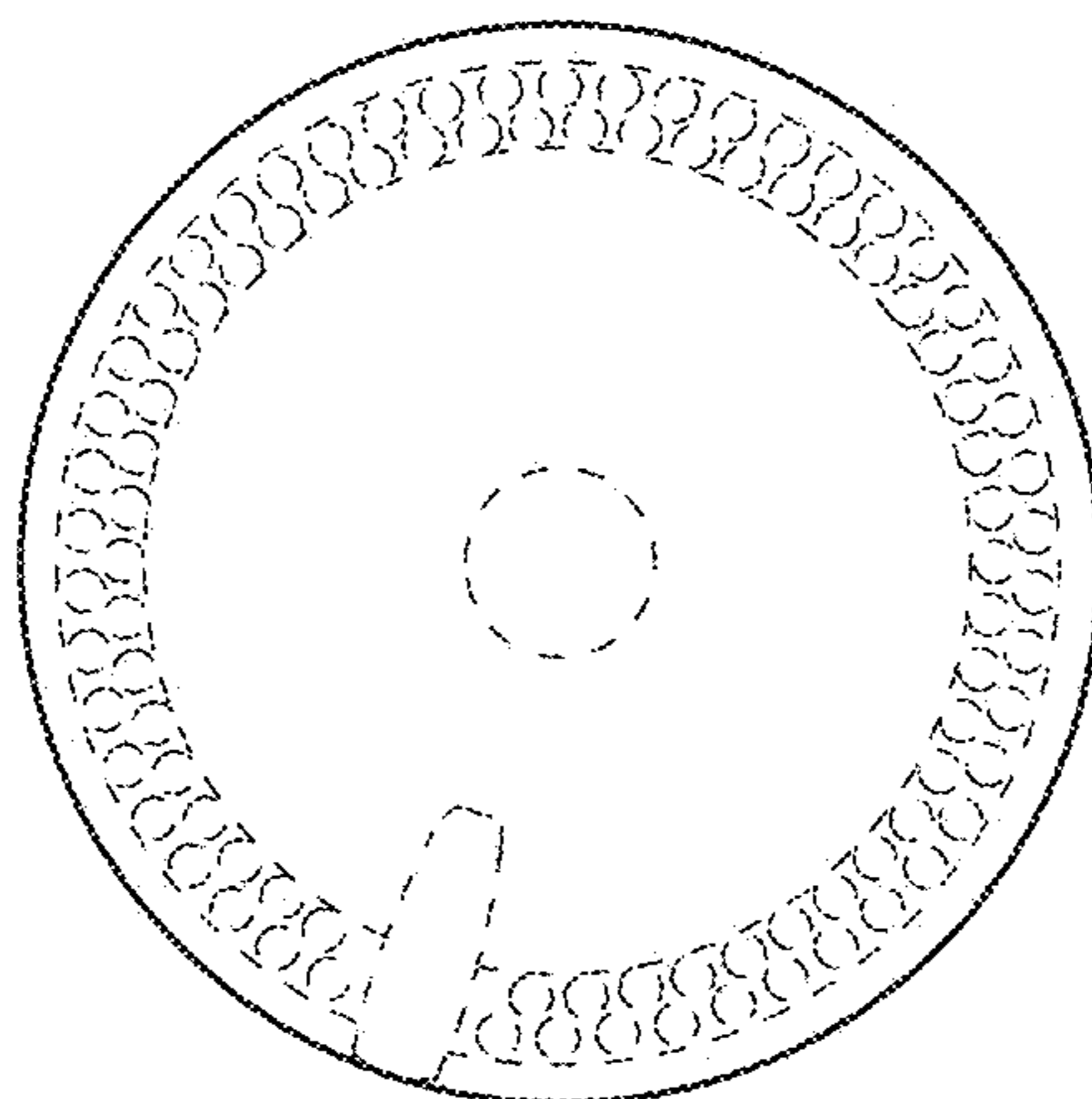


FIG. 3

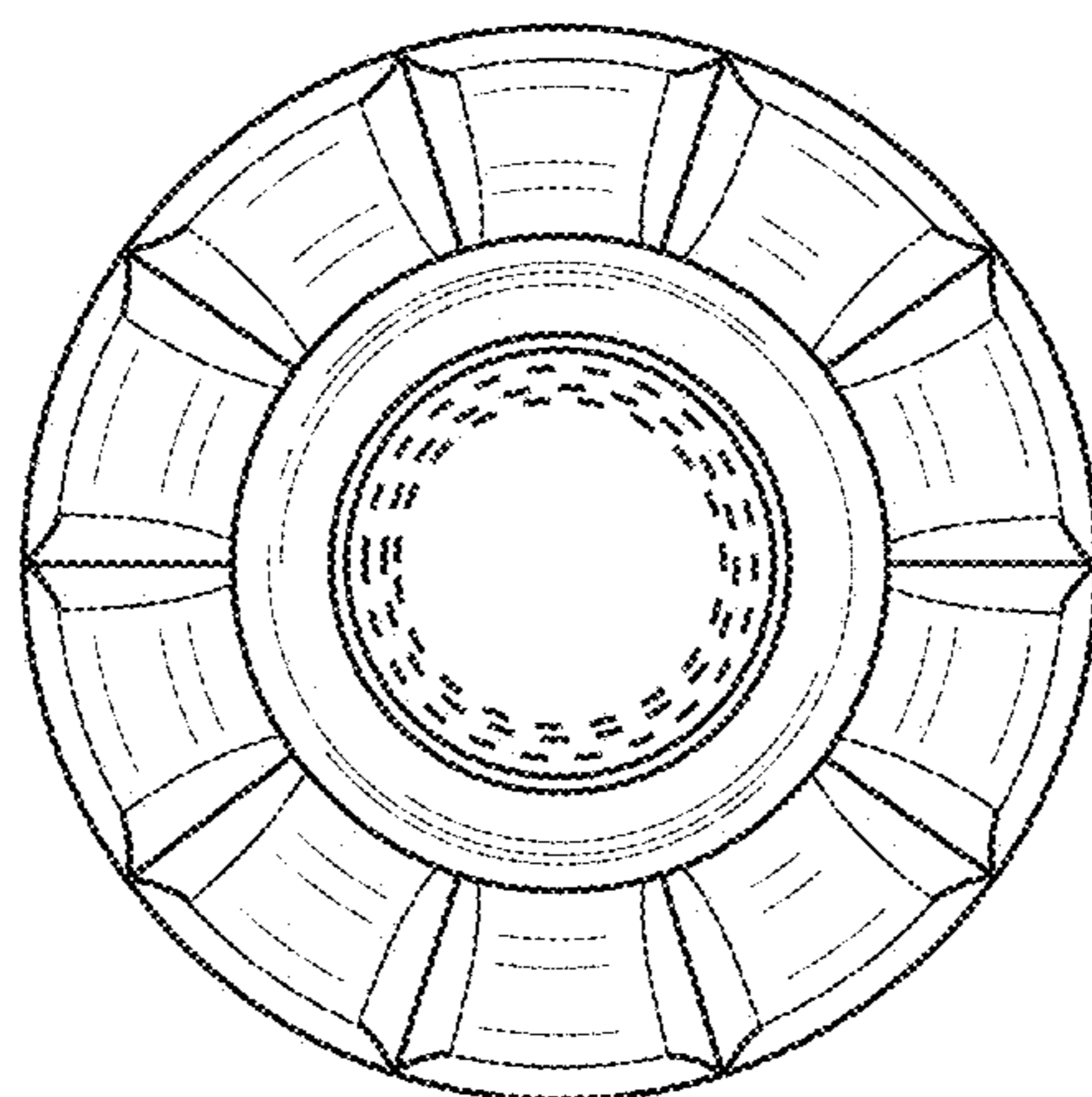


FIG. 2

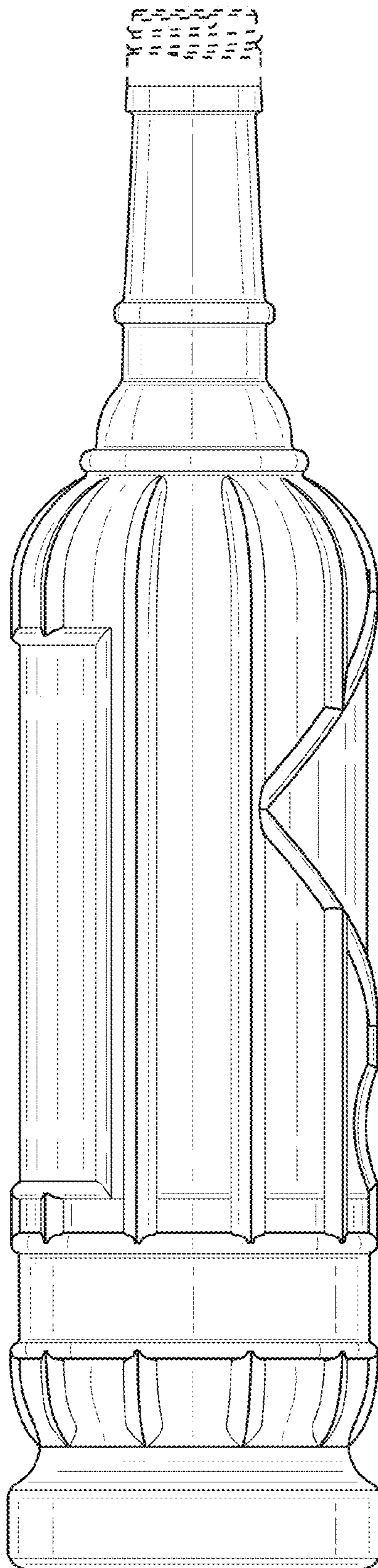


FIG. 4

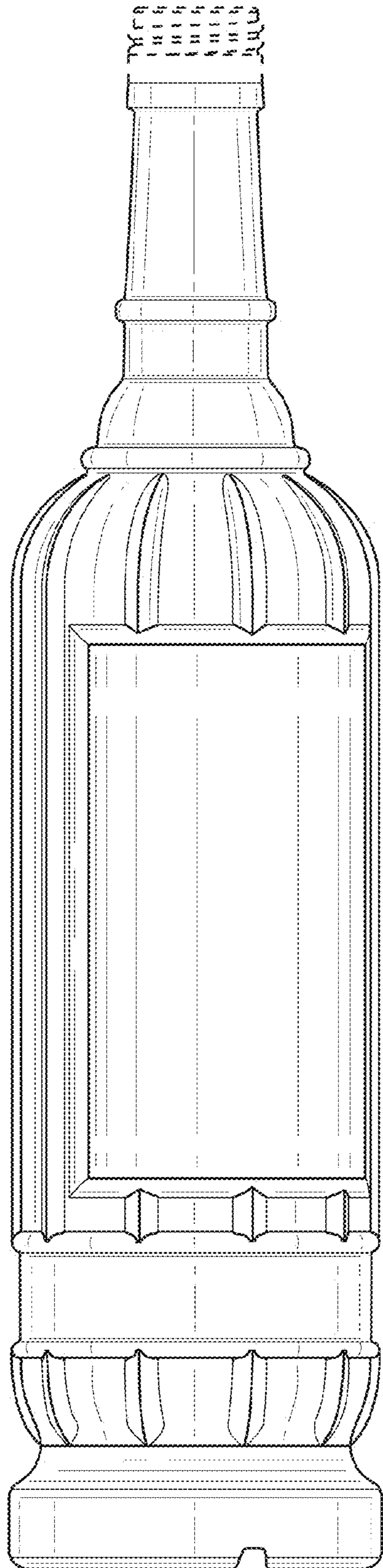


FIG. 5