

US00D727159S

(12) **United States Design Patent**
Barjon

(10) **Patent No.:** **US D727,159 S**

(45) **Date of Patent:** **** *Apr. 21, 2015**

(54) **BOTTLE**

(71) Applicant: **Etablissements Geyer Freres, Munster**
(FR)

(72) Inventor: **Jean-Pierre Barjon, Vanves (FR)**

(73) Assignee: **Etablissements Geyer Freres, Munster**
(FR)

(*) Notice: This patent is subject to a terminal disclaimer.

(**) Term: **14 Years**

(21) Appl. No.: **29/440,272**

(22) Filed: **Dec. 20, 2012**

(51) **LOC (10) Cl.** **09-01**

(52) **U.S. Cl.**
USPC **D9/537; D9/500**

(58) **Field of Classification Search**

CPC B65D 1/00; B65D 1/02; B65D 1/0223;
B65D 1/0261; B65D 23/00

USPC D9/500-505, 516, 520, 530, 537-540,
D9/549, 552, 558, 571, 574-575, 682,
D9/685; 215/370-375, 379, 381-382;
220/600, 604-606, 608-609, 660, 669,
220/675

See application file for complete search history.

(56) **References Cited**

U.S. PATENT DOCUMENTS

D75,504 S *	6/1928	Mas	D9/538
D276,697 S *	12/1984	Martini	D9/658
D333,434 S *	2/1993	Sosenko	D9/539
D455,351 S *	4/2002	Bailey	D9/502
D536,616 S *	2/2007	Rubin et al.	D9/500
D572,134 S *	7/2008	Bourne	D9/500
D614,030 S *	4/2010	Kuzma et al.	D9/500
D697,414 S *	1/2014	Windelinckx	D9/538
2009/0087507 A1 *	4/2009	Penet et al.	425/117

* cited by examiner

Primary Examiner — Terry Wallace

Assistant Examiner — Dana L Meyrow

(74) *Attorney, Agent, or Firm* — William H. Eilberg

(57) **CLAIM**

The ornamental design for a bottle, as shown and described.

DESCRIPTION

FIG. 1 is a top perspective view of a bottle of the present invention;

FIG. 2 is a front elevation view thereof;

FIG. 3 is a rear elevation view thereof;

FIG. 4 is a left side elevation view thereof;

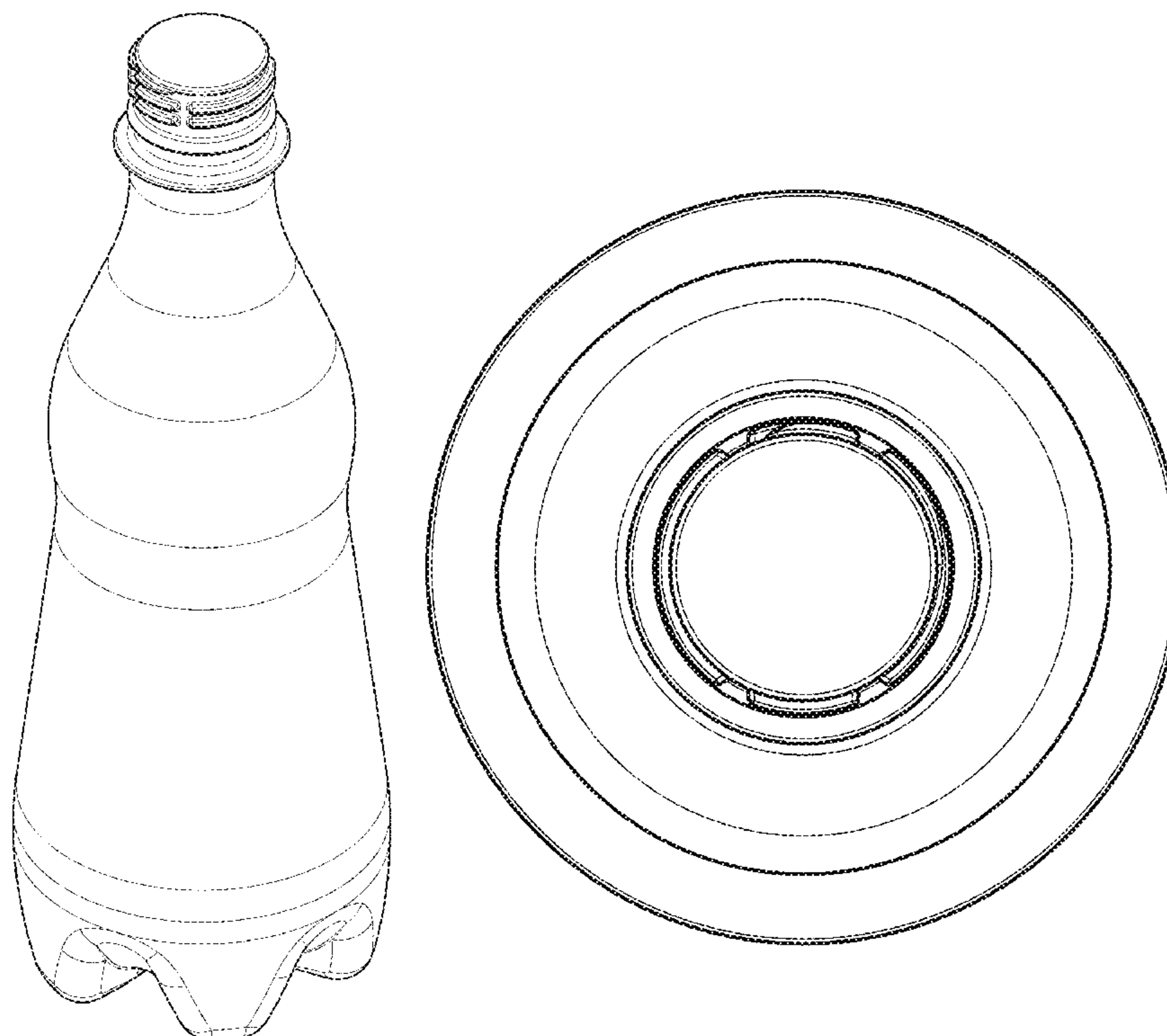
FIG. 5 is a right side elevation view thereof;

FIG. 6 is a top plan view thereof, shown at an enlarged scale; and,

FIG. 7 is a bottom plan view thereof, shown at an enlarged scale.

The bottle of the present invention is made of PET and is translucent.

1 Claim, 7 Drawing Sheets



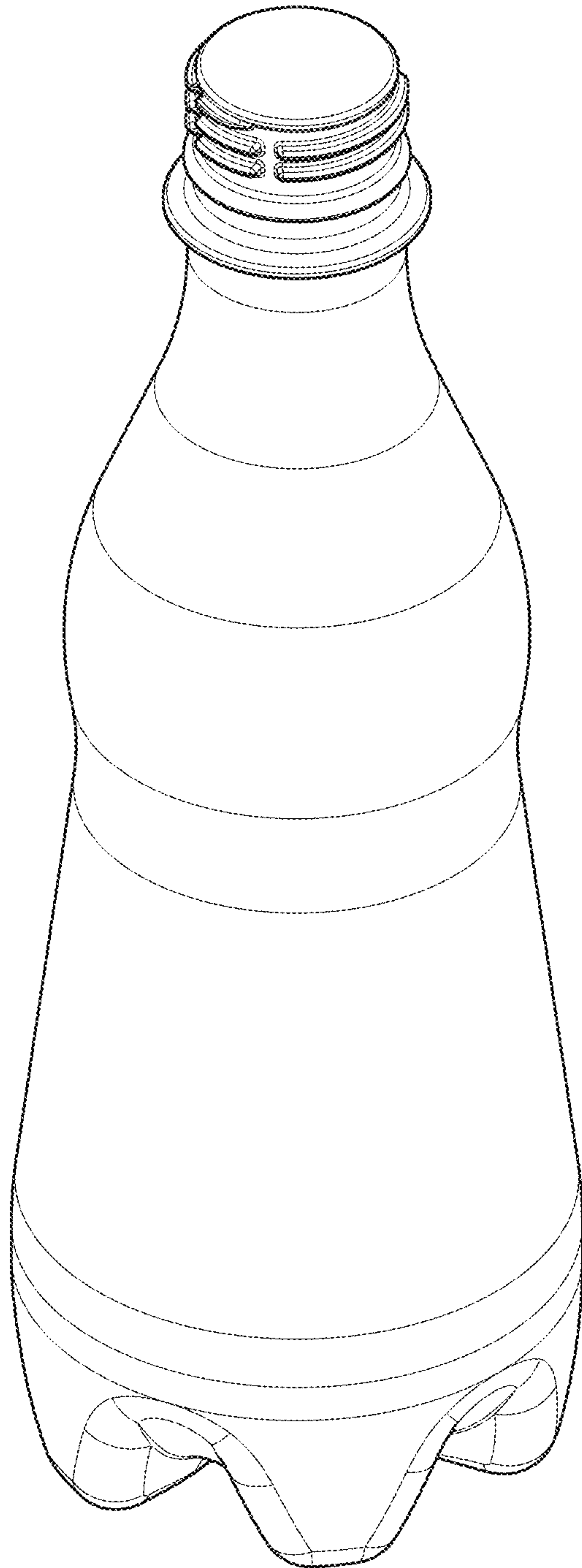


FIG. 1

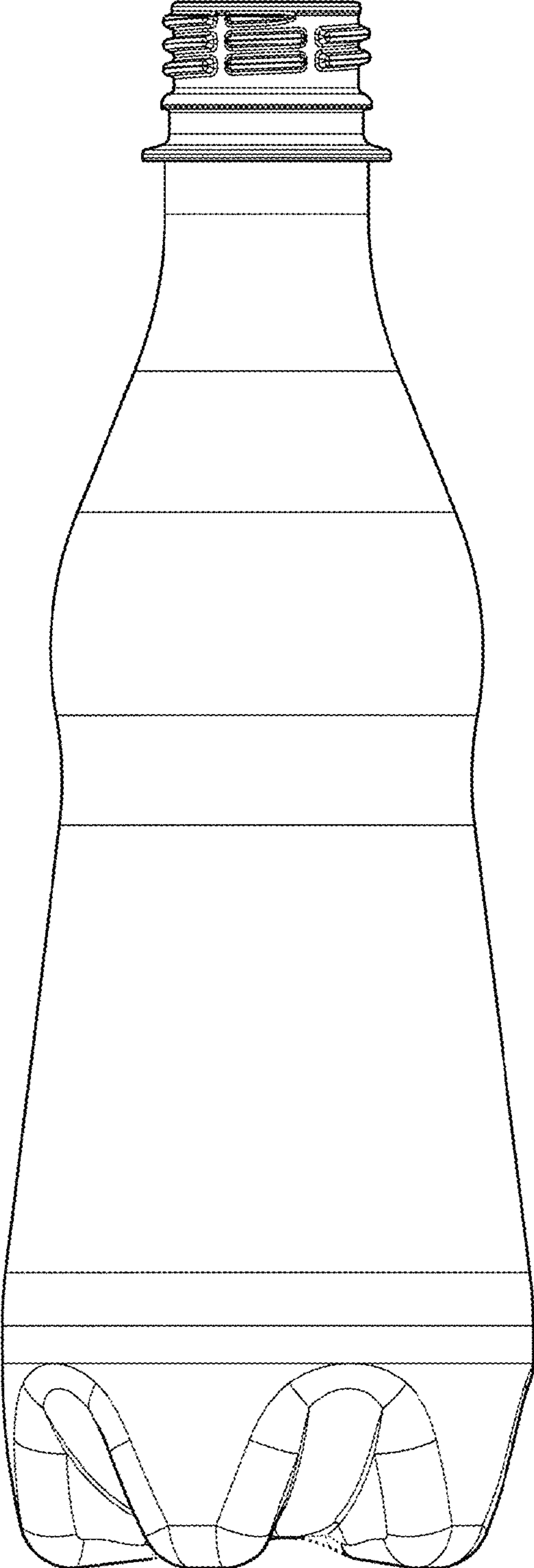


FIG. 2

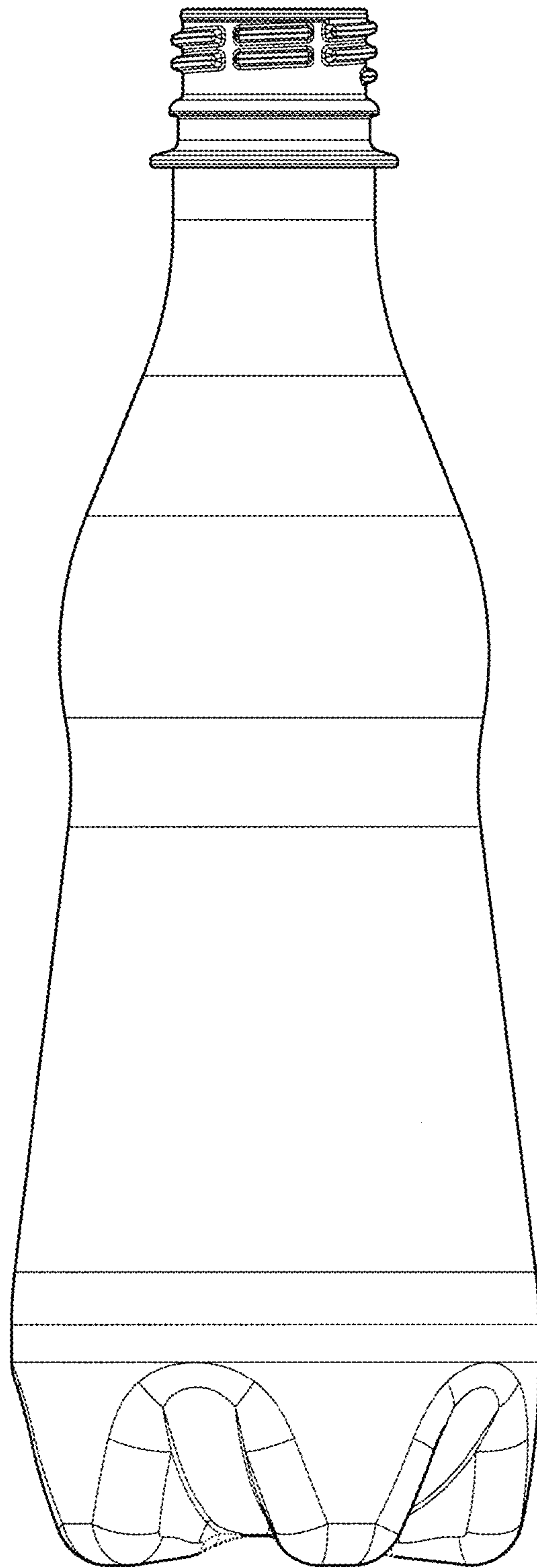


FIG. 3

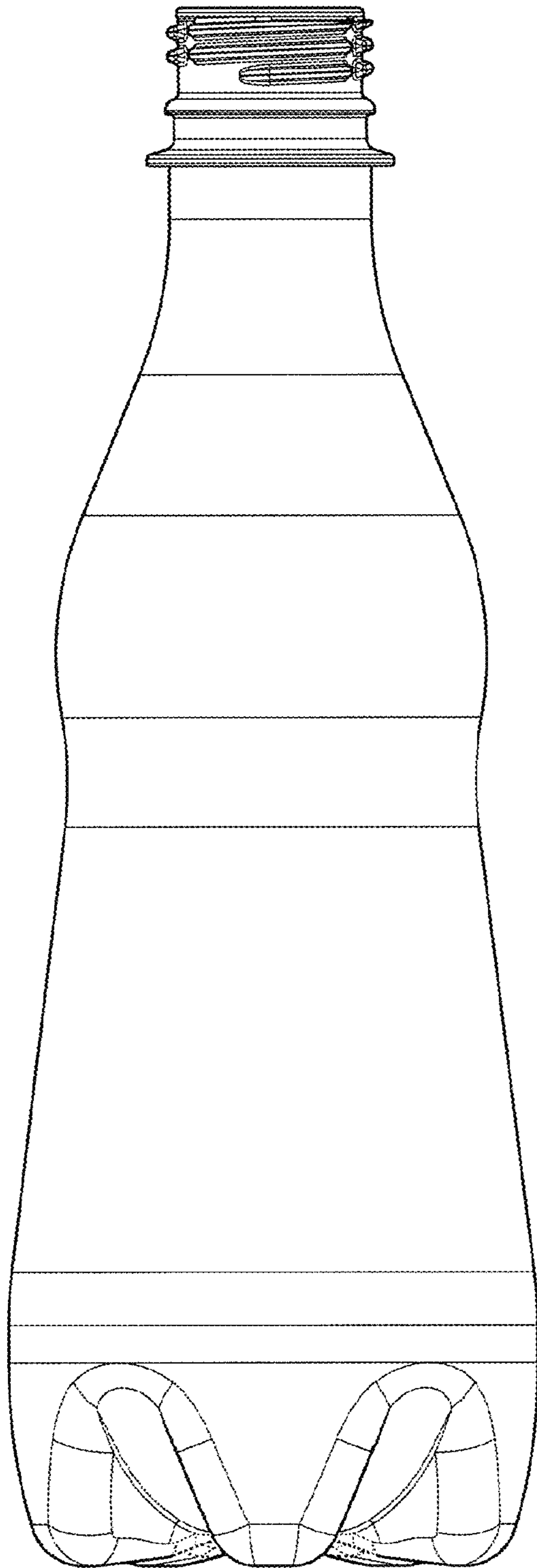


FIG. 4

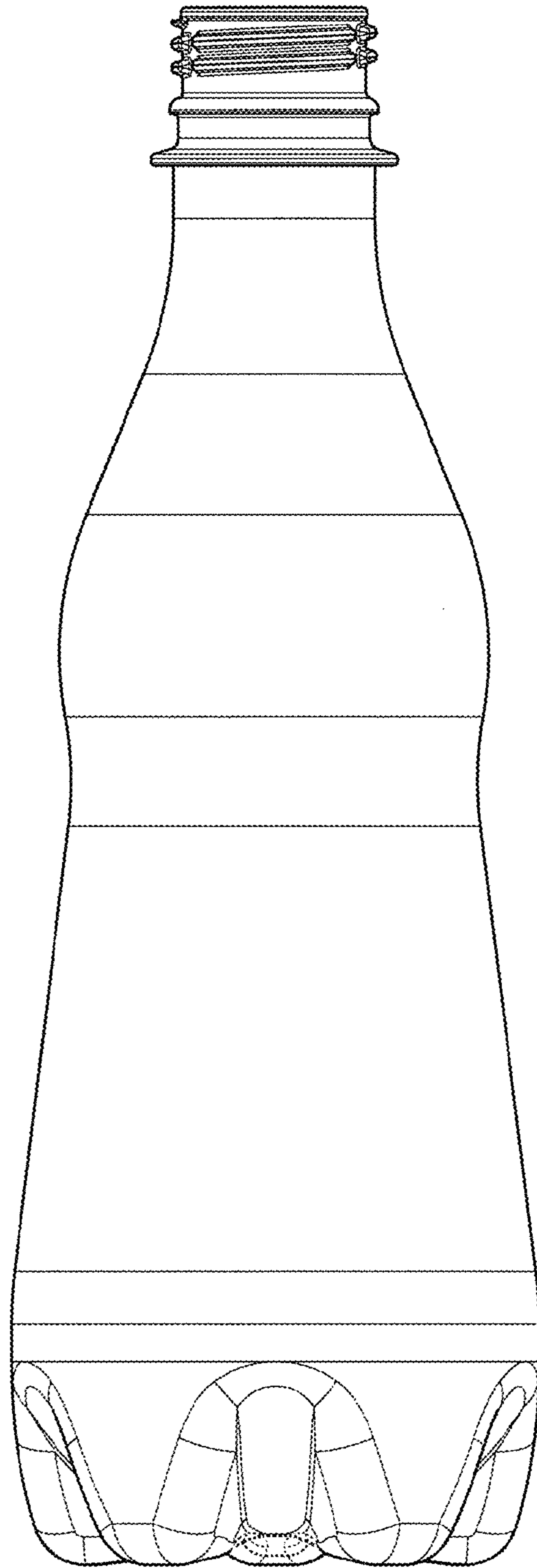


FIG. 5

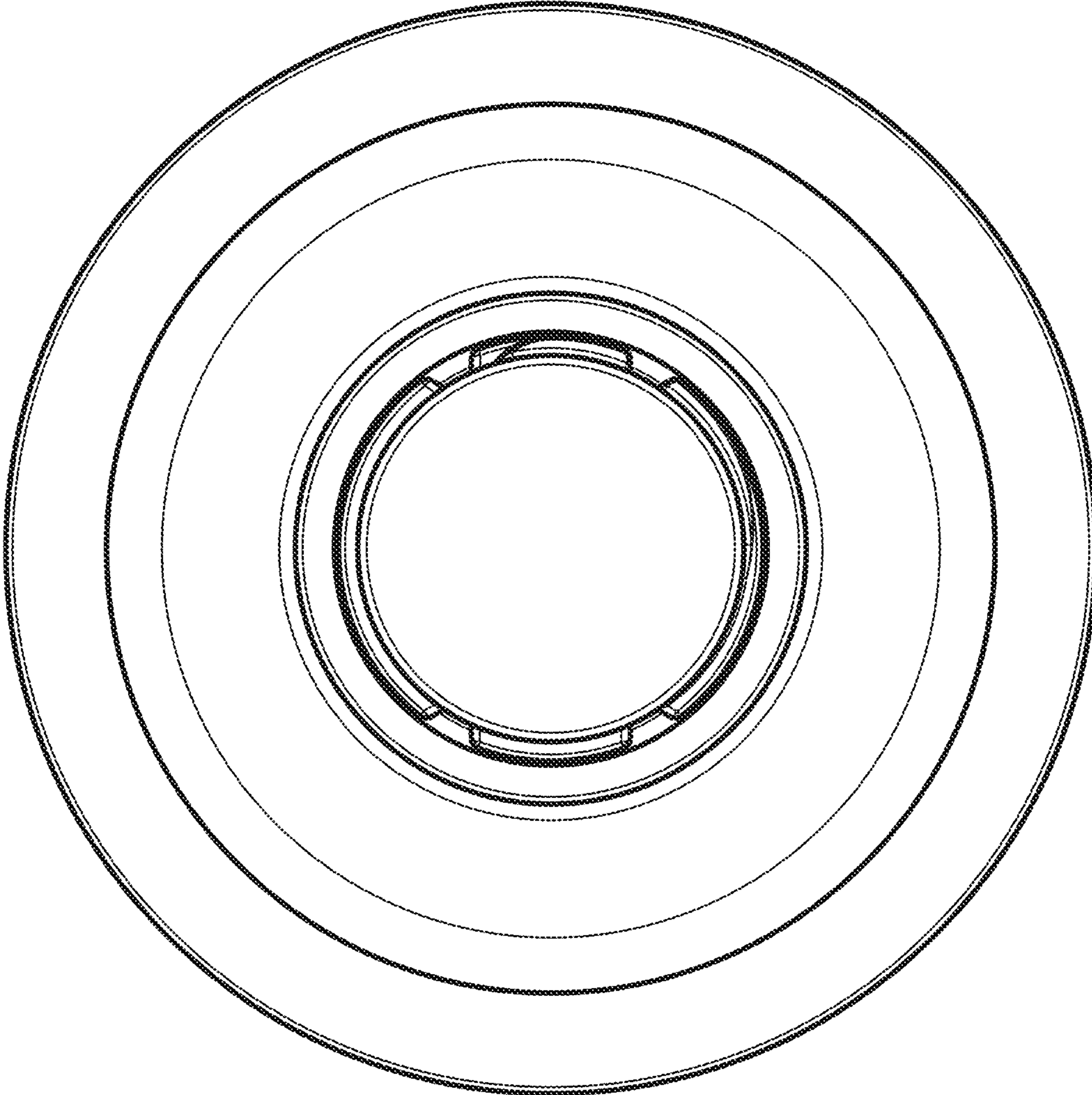


FIG. 6

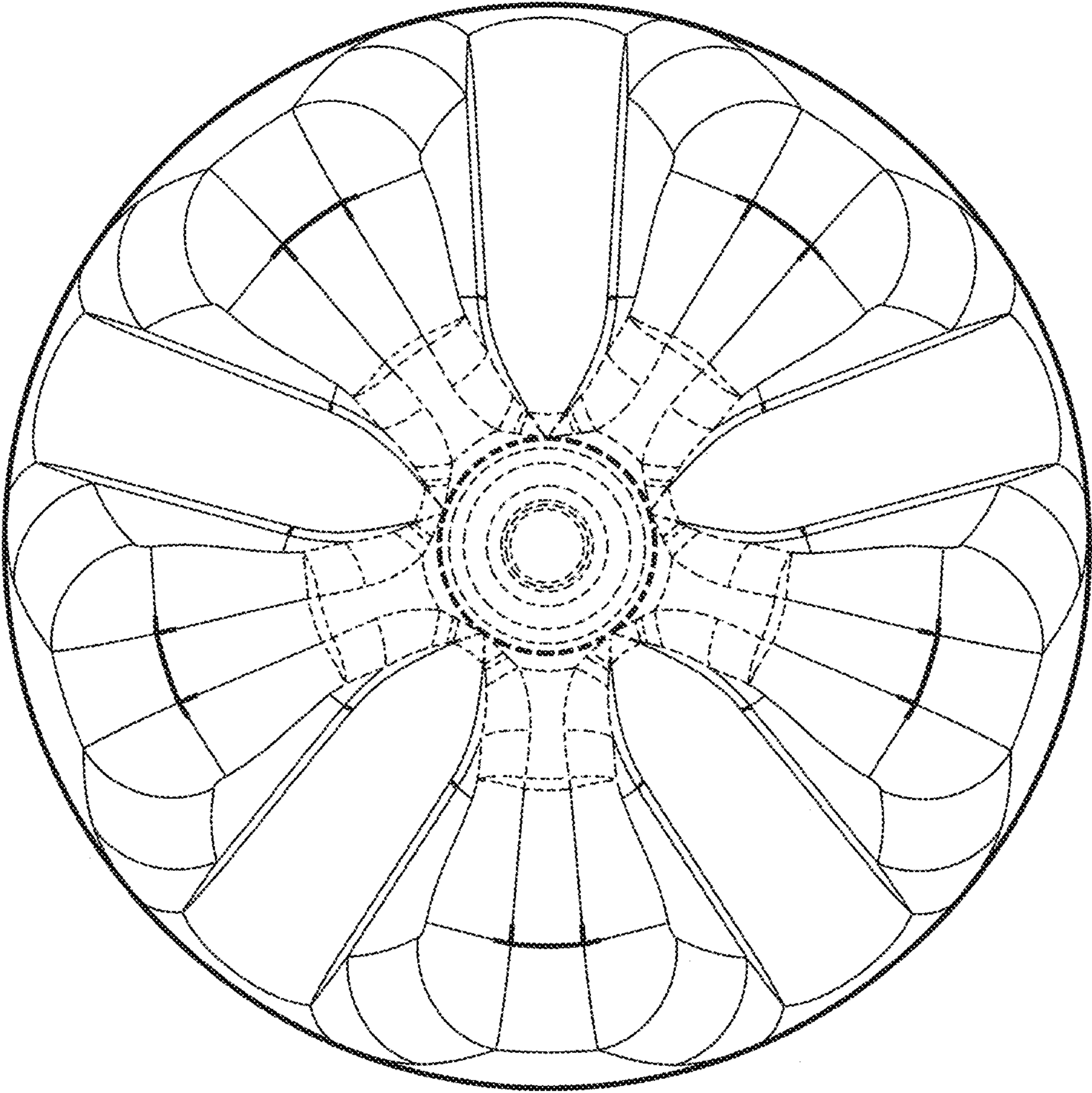


FIG. 7

UNITED STATES PATENT AND TRADEMARK OFFICE
CERTIFICATE OF CORRECTION

PATENT NO. : D727,159 S
APPLICATION NO. : 29/440272
DATED : April 21, 2015
INVENTOR(S) : Jean-Pierre Barjon

Page 1 of 1

It is certified that error appears in the above-identified patent and that said Letters Patent is hereby corrected as shown below:

On the title page item (57) under the Description, in the last two lines, delete “The bottle of the present invention is made of PET and is translucent.”

Signed and Sealed this
Twentieth Day of October, 2015



Michelle K. Lee
Director of the United States Patent and Trademark Office