

US00D727157S

(12) **United States Design Patent**
Finlay et al.

(10) **Patent No.:** **US D727,157 S**

(45) **Date of Patent:** **** Apr. 21, 2015**

(54) **BOTTLE**

(71) Applicant: **PepsiCo, Inc.**, Purchase, NY (US)

(72) Inventors: **Patrick J. Finlay**, New Fairfield, CT (US); **Andy Jordan**, London (GB); **Philip Nigel Bordet-Stead**, London (GB); **Laurent Robin-Prevallee**, London (GB)

(73) Assignee: **PepsiCo, Inc.**, Purchase, NY (US)

(**) Term: **14 Years**

(21) Appl. No.: **29/496,835**

(22) Filed: **Jul. 17, 2014**

(51) **LOC (10) Cl.** **09-01**

(52) **U.S. Cl.**

USPC **D9/516**; 9/538; 9/550; 9/554; 9/559

(58) **Field of Classification Search**

CPC B65D 1/0002; B65D 1/0223; B65D 1/40;
B65D 1/42; B65D 23/00; B65D 2501/00;
B65D 2501/0009

USPC D9/516, 530, 537-538, 541, 549, 552,
D9/554, 558-559, 567, 571, 600, 636, 640,
D9/643-645, 648, 655, 657-661, 667;
215/379, 381-382; 220/660, 669, 675

See application file for complete search history.

(56) **References Cited**

U.S. PATENT DOCUMENTS

D183,310 S * 8/1958 Hack D9/657
D207,799 S * 5/1967 Roberts D9/571

D213,290 S * 2/1969 Fuerst D9/500
D286,984 S * 12/1986 Durand D9/565
D465,727 S * 11/2002 Duranthon D9/620
D478,278 S * 8/2003 Masotta et al. D9/530
D524,165 S * 7/2006 Scott D9/667
D637,908 S * 5/2011 Fleischhacker et al. D9/502
D651,905 S * 1/2012 Bartolomei D9/538
D703,056 S * 4/2014 Yourist D9/516
2011/0226788 A1 * 9/2011 Yourist 220/669

* cited by examiner

Primary Examiner — Ian Simmons

Assistant Examiner — Dana L Meyrow

(74) *Attorney, Agent, or Firm* — Banner & Witcoff, Ltd.

(57) **CLAIM**

The ornamental design for a bottle, as shown and described.

DESCRIPTION

FIG. 1 is a top, front, right perspective view of a bottle showing our new design;

FIG. 2 is a front view thereof;

FIG. 3 is a right side view thereof;

FIG. 4 is a rear view thereof;

FIG. 5 is a left side view thereof;

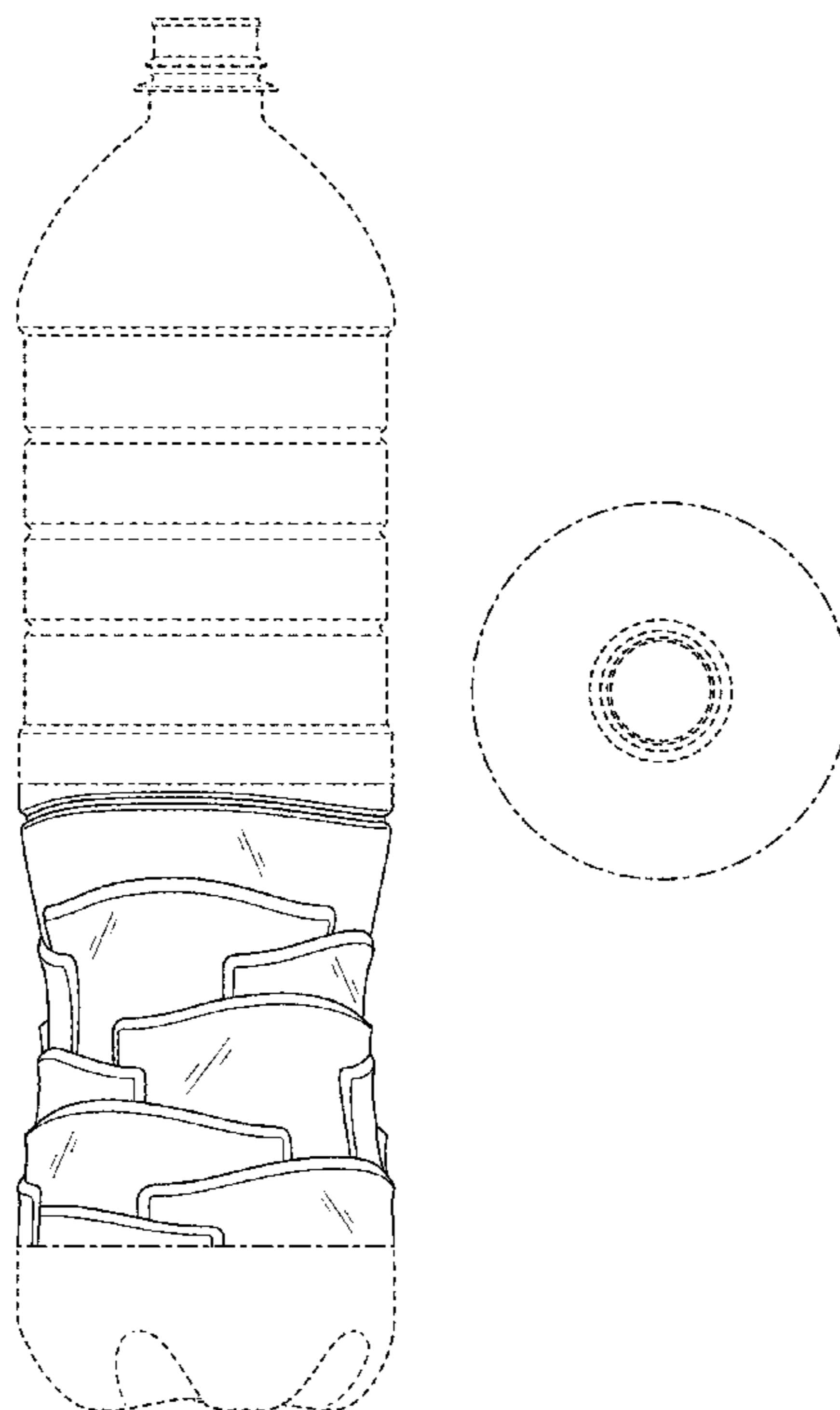
FIG. 6 is a top view thereof;

FIG. 7 is a bottom view thereof; and,

FIG. 8 is a bottom, front, right perspective view thereof.

The evenly dashed broken lines in the drawings illustrate the portions of the design that form no part of the claim. The dot-dash broken lines in the drawings define the bounds of the claim and form no part thereof.

1 Claim, 7 Drawing Sheets



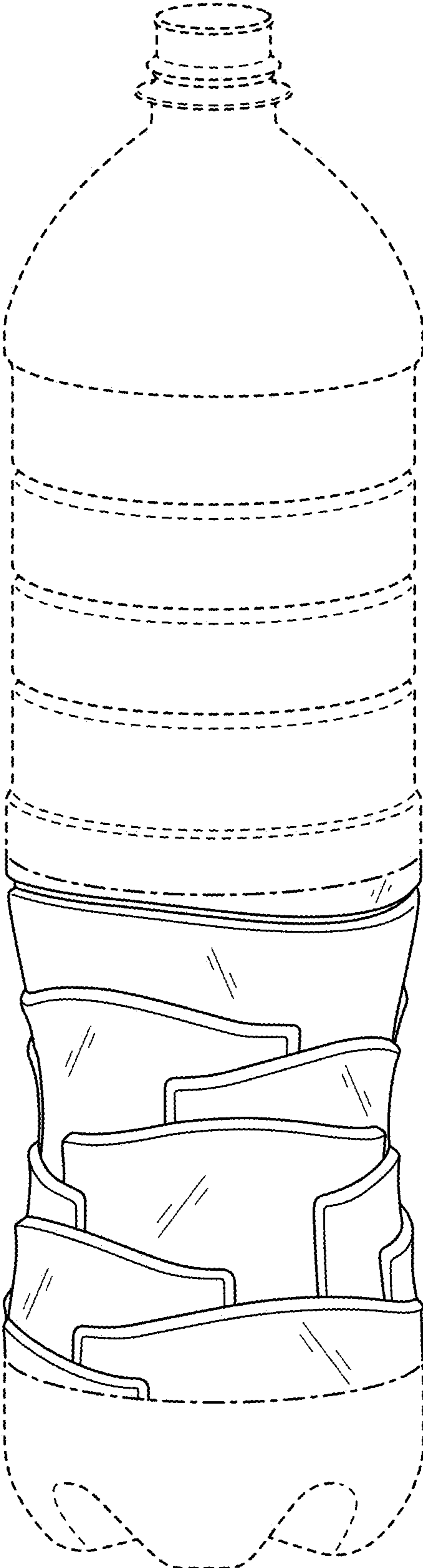


FIG. 1

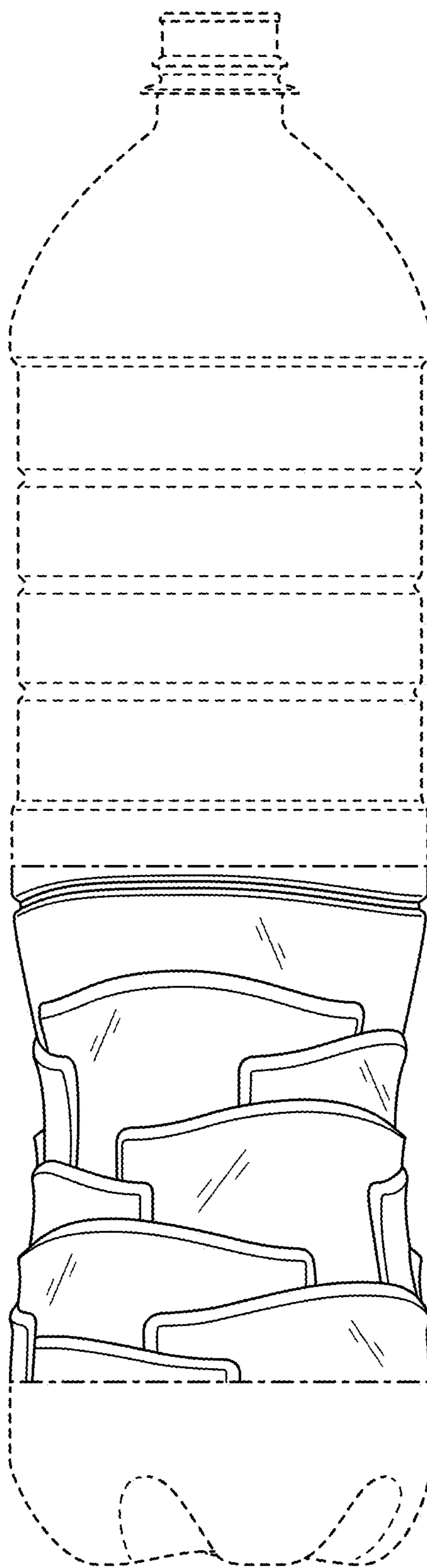


FIG. 2

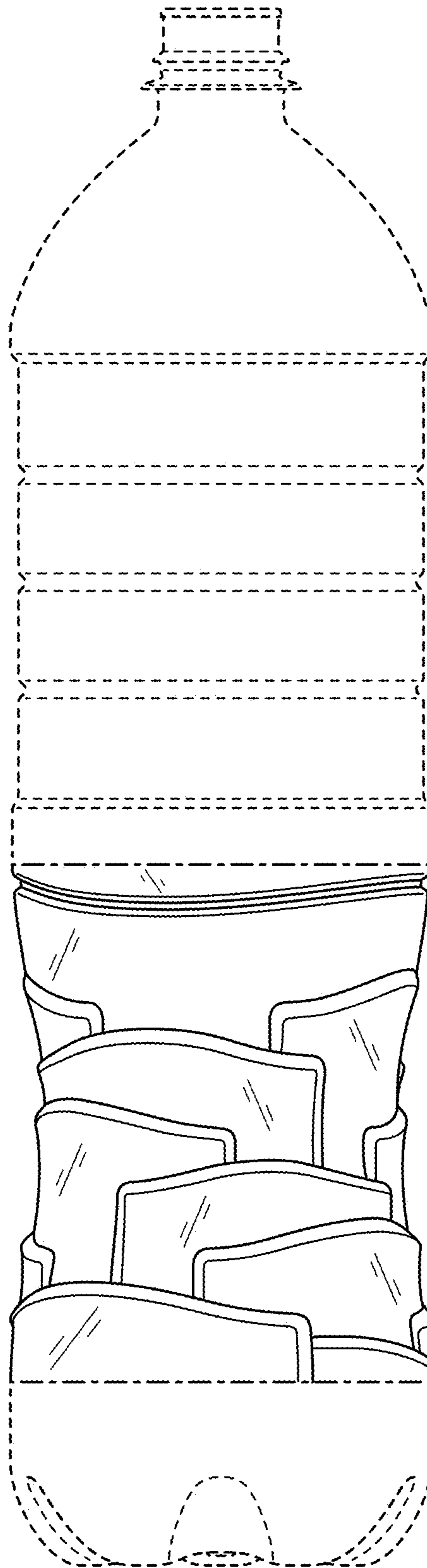


FIG. 3

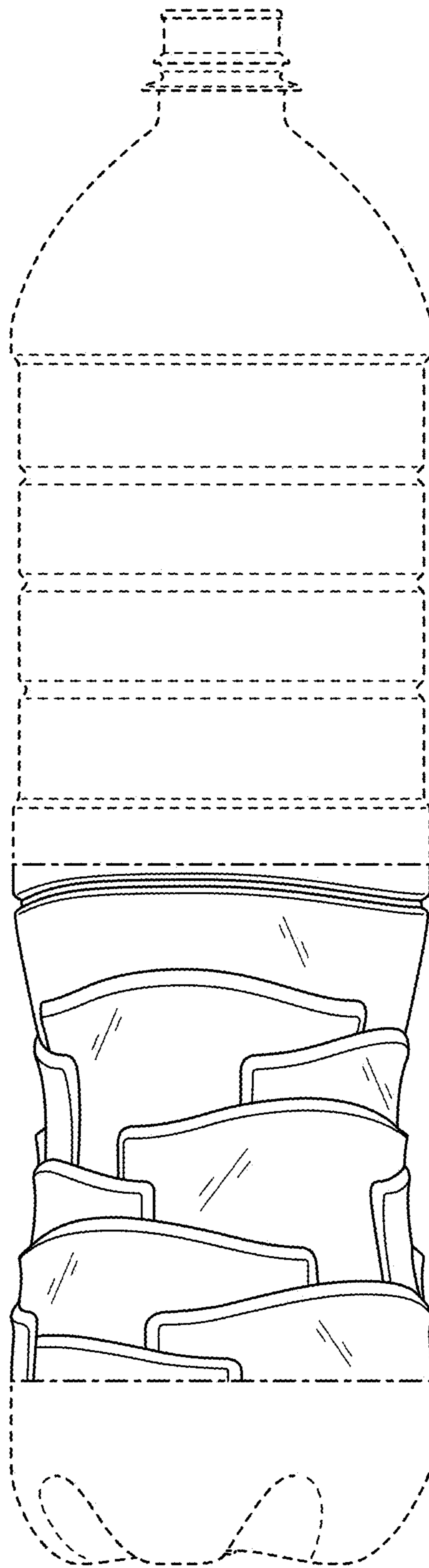


FIG. 4

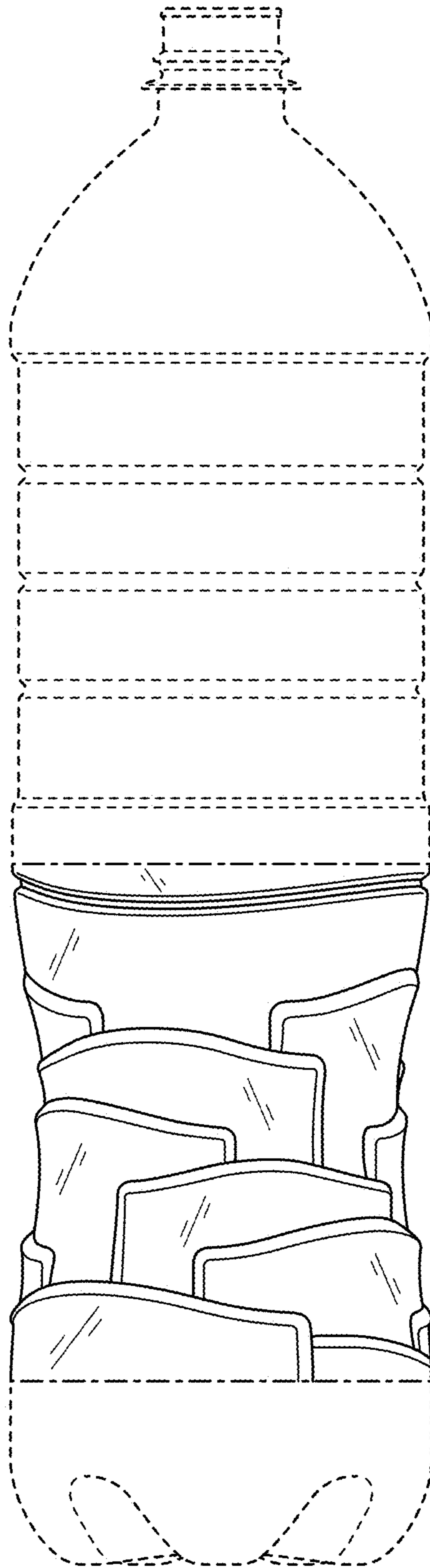


FIG. 5

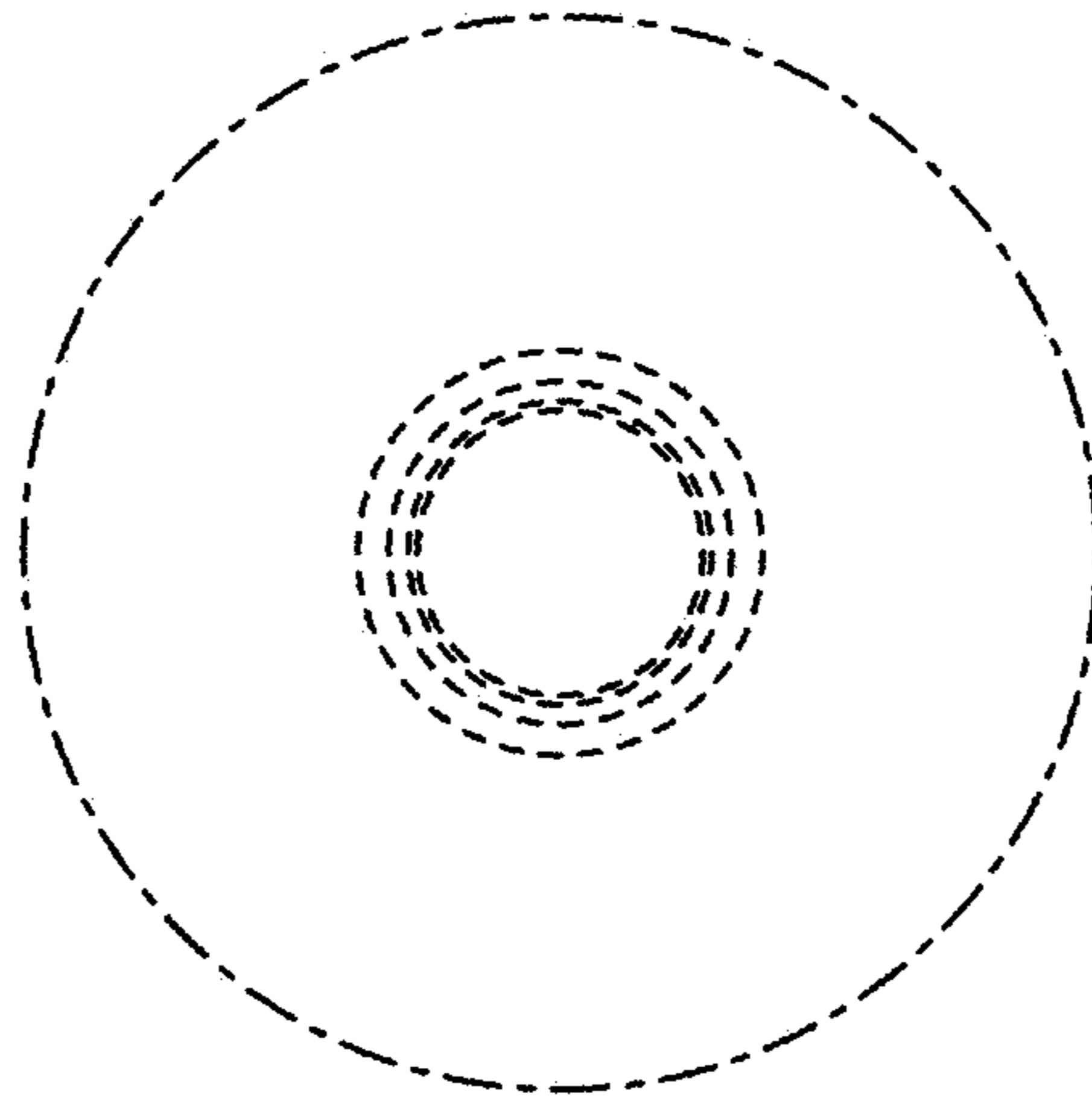


FIG. 6

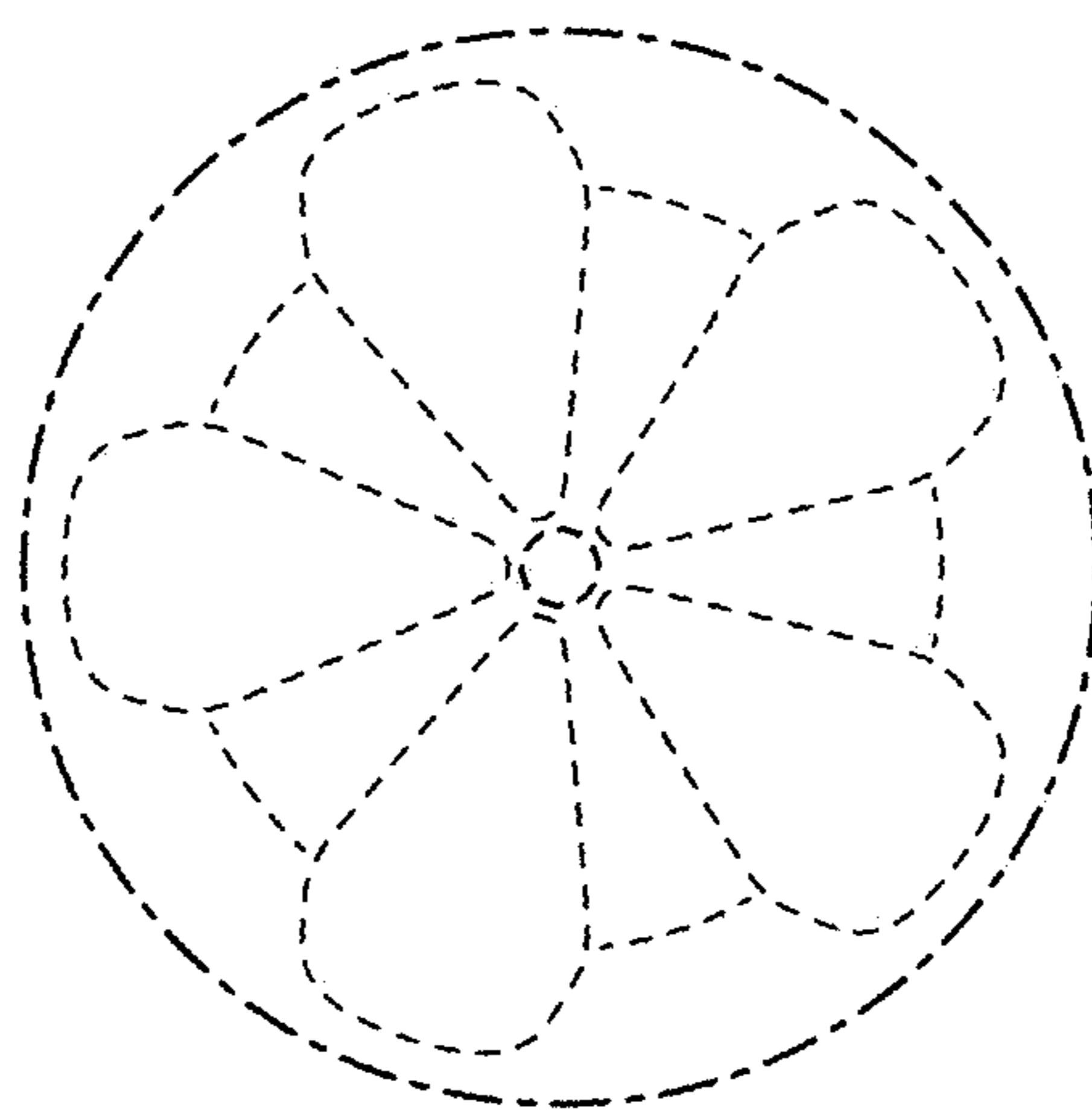


FIG. 7

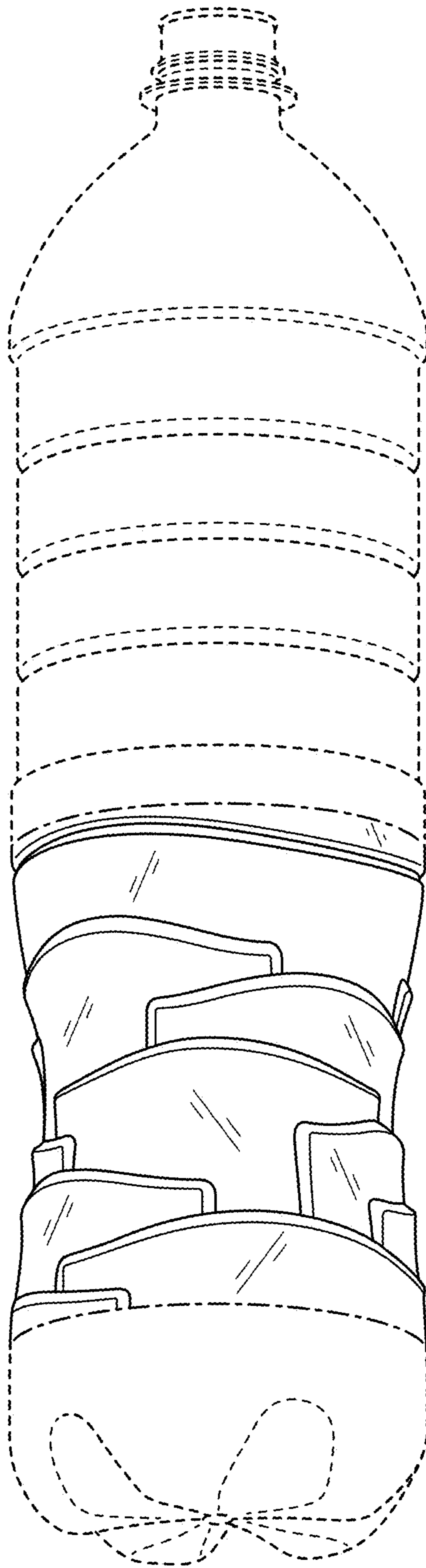


FIG. 8