



US00D727154S

(12) **United States Design Patent**
Lee et al.

(10) **Patent No.:** **US D727,154 S**
(45) **Date of Patent:** **** Apr. 21, 2015**

(54) **TRAY FOR PACKAGING BOX**

(71) Applicant: **Samsung Electronics Co., Ltd.**,
Suwon-si (KR)

(72) Inventors: **Eun Ae Shally Lee**, Seoul (KR); **Ji-Hee Kwak**, Seoul (KR); **Il-Kyoung Kim**,
Suwon-si (KR); **Da-Hee Heo**, Yongin-si
(KR)

(73) Assignee: **Samsung Electronics Co., Ltd.**,
Suwon-si (KR)

(**) Term: **14 Years**

(21) Appl. No.: **29/472,666**

(22) Filed: **Nov. 14, 2013**

(30) **Foreign Application Priority Data**

May 15, 2013 (KR) 30-2013-0025615

(51) **LOC (10) Cl.** **09-07**

(52) **U.S. Cl.**
USPC **D9/456**

(58) **Field of Classification Search**
CPC B65D 11/00; B65D 11/10; B65D 11/18
USPC D3/30.5; D9/430, 431, 432, 433, 434,
D9/456, 499, 737, 760, 759; 206/4.22,
206/4.28, 4.29, 320, 486, 562; 220/4.22,
220/4.28, 4.29; 410/49; 229/407
See application file for complete search history.

(56) **References Cited**

U.S. PATENT DOCUMENTS

D125,136 S * 2/1941 Holmes et al. D9/737
5,701,757 A * 12/1997 Heverly 62/457.2

D422,769 S * 4/2000 Schmitt D34/38
6,154,360 A * 11/2000 Kaczeus et al. 361/679.34
D435,953 S * 1/2001 Lux, Jr. D34/38
D453,871 S * 2/2002 Perry D34/38
D460,691 S * 7/2002 Morris et al. D9/456
D490,977 S * 6/2004 Freeman D3/273
6,997,323 B2 * 2/2006 Maresh et al. 206/592
D592,045 S * 5/2009 Banakar et al. D9/759
D596,485 S * 7/2009 Andre et al. D9/737
D686,498 S * 7/2013 Rego D9/456
2012/0138493 A1 * 6/2012 Tung-Ke 206/320

* cited by examiner

Primary Examiner — Robert M Spear

(74) *Attorney, Agent, or Firm* — NSIP Law

(57) **CLAIM**

The ornamental design for a tray for packaging box, as shown and described.

DESCRIPTION

FIG. 1 is a front perspective view of a tray for packaging box showing our new design;
FIG. 2 is a front view thereof;
FIG. 3 is a rear view thereof;
FIG. 4 is a left-side view thereof;
FIG. 5 is a right-side view thereof;
FIG. 6 is a top view thereof;
FIG. 7 is a bottom view thereof;
FIG. 8 is another front perspective view thereof; and,
FIG. 9 is another front perspective view thereof, in which a packaging box in broken lines is shown in an exploded view to illustrate an example environment.
The broken lines illustrating portions of the tray for packaging box are for environmental purposes only and form no part of the claimed design.

1 Claim, 6 Drawing Sheets

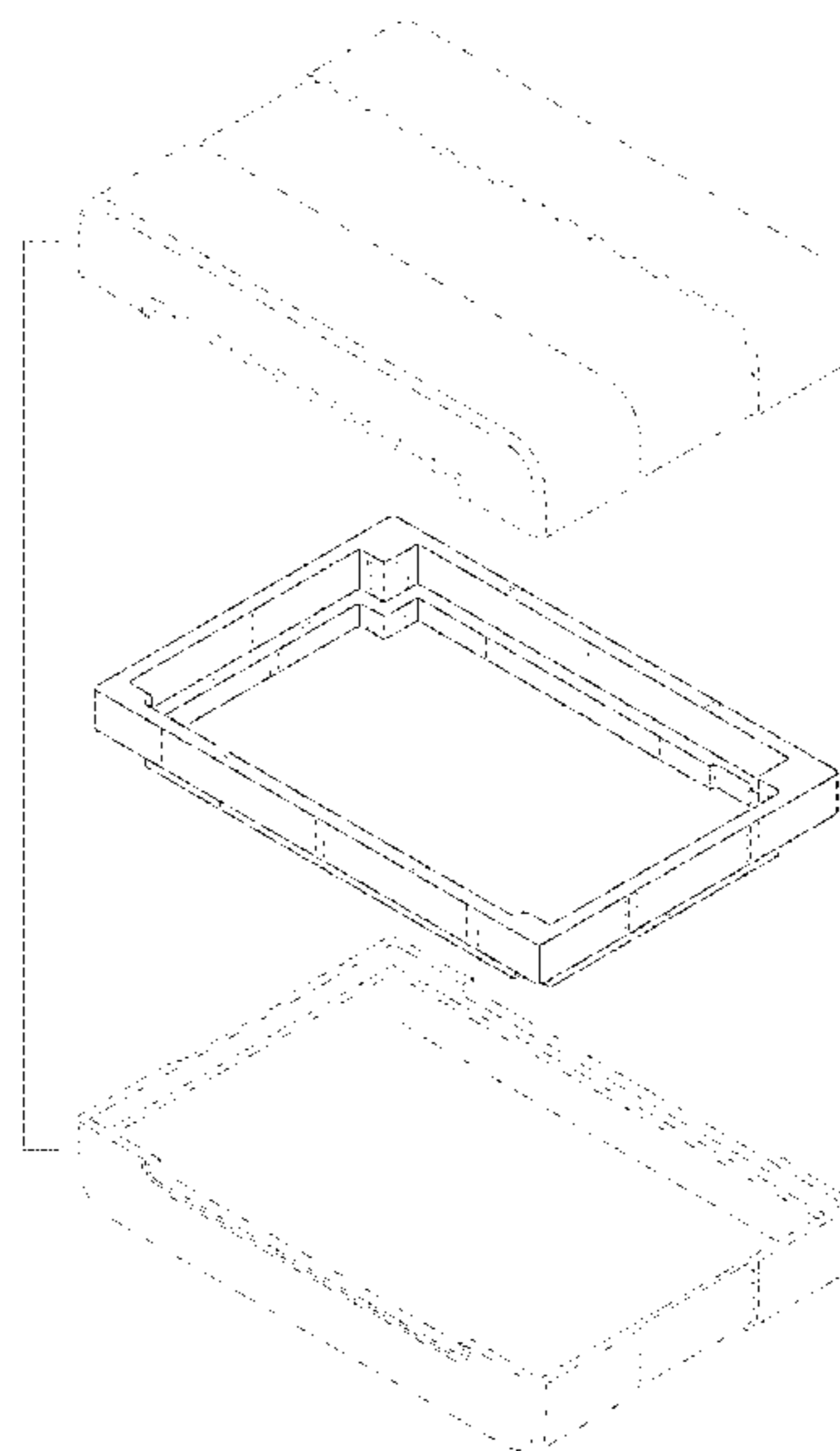
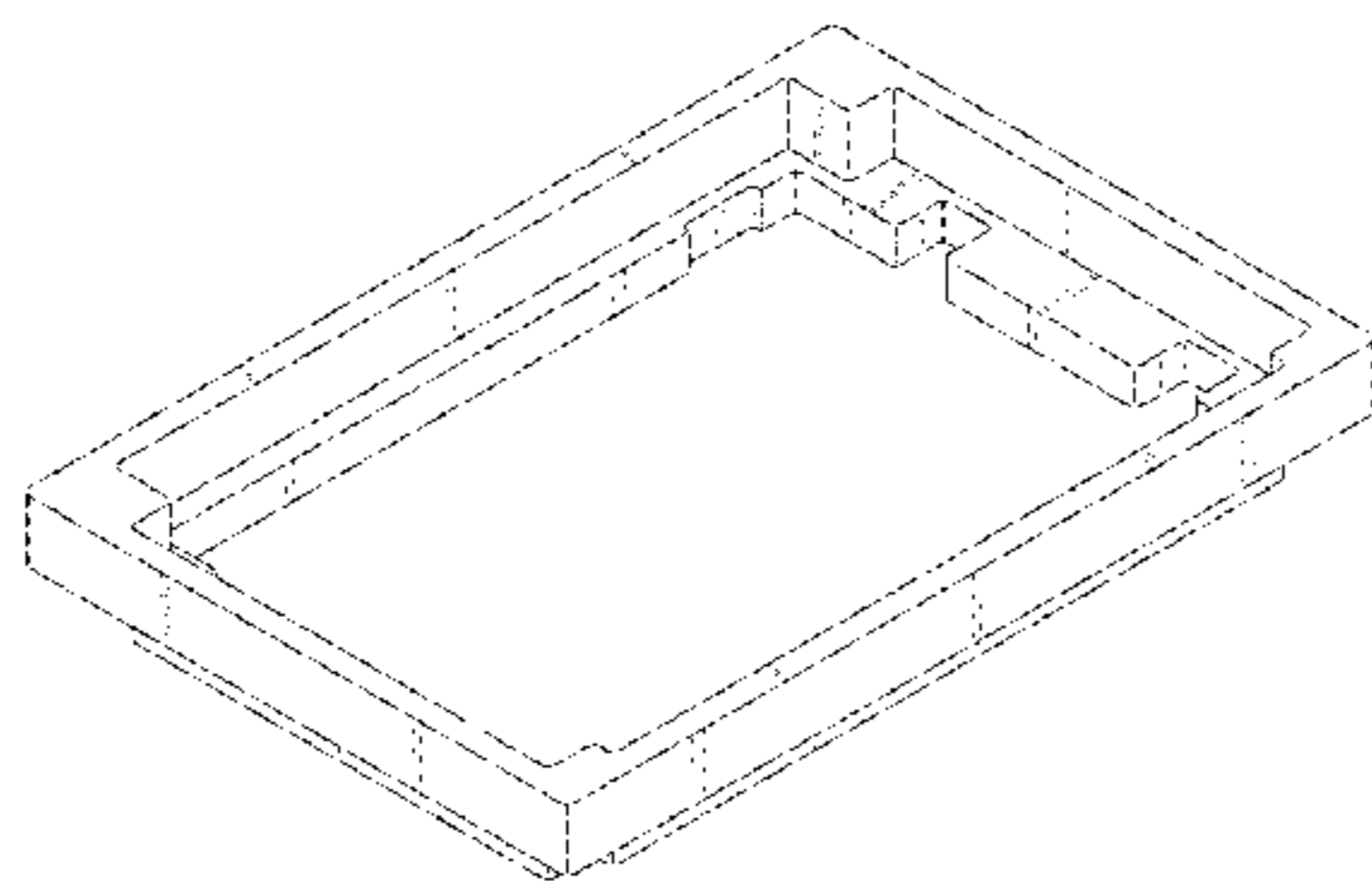


FIG. 1

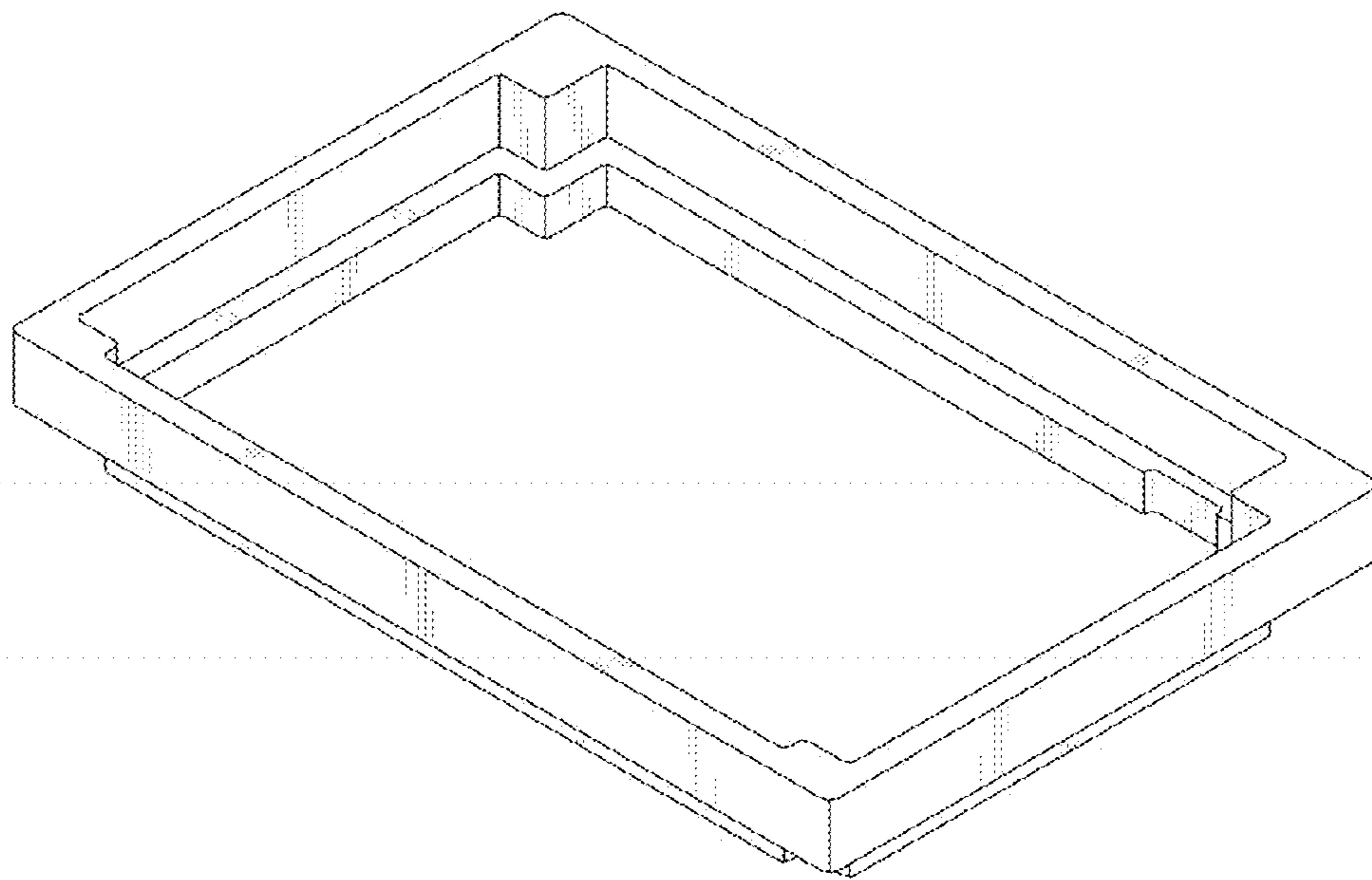


FIG.2

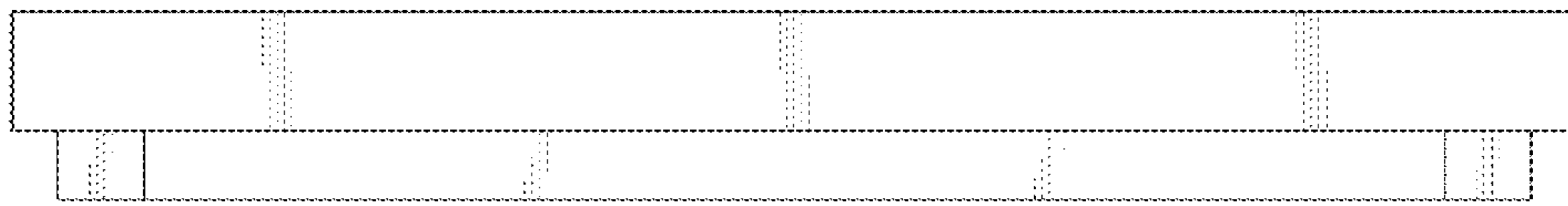


FIG.3

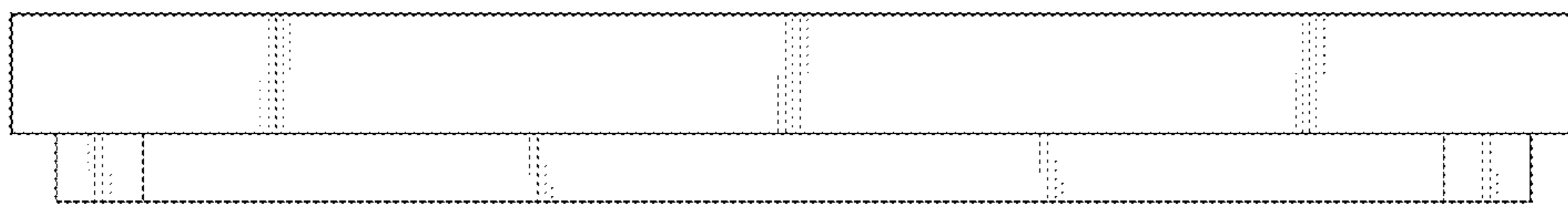


FIG.4

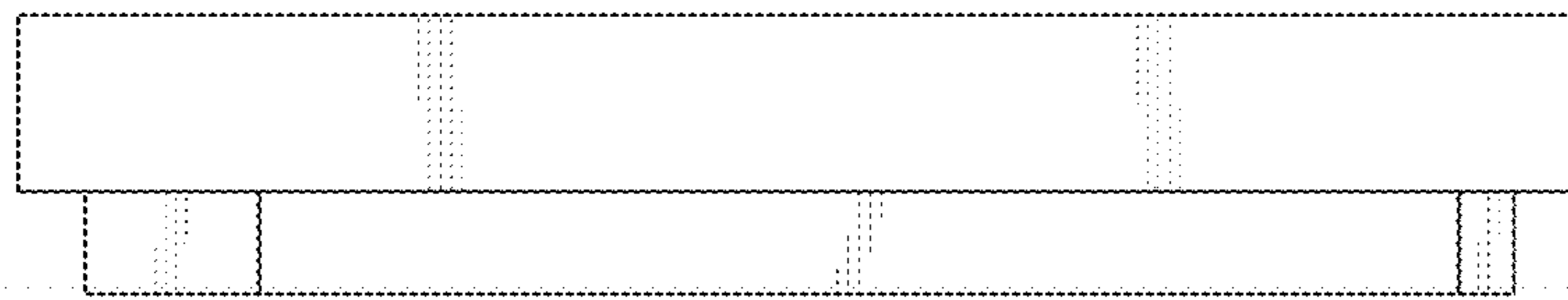


FIG.5

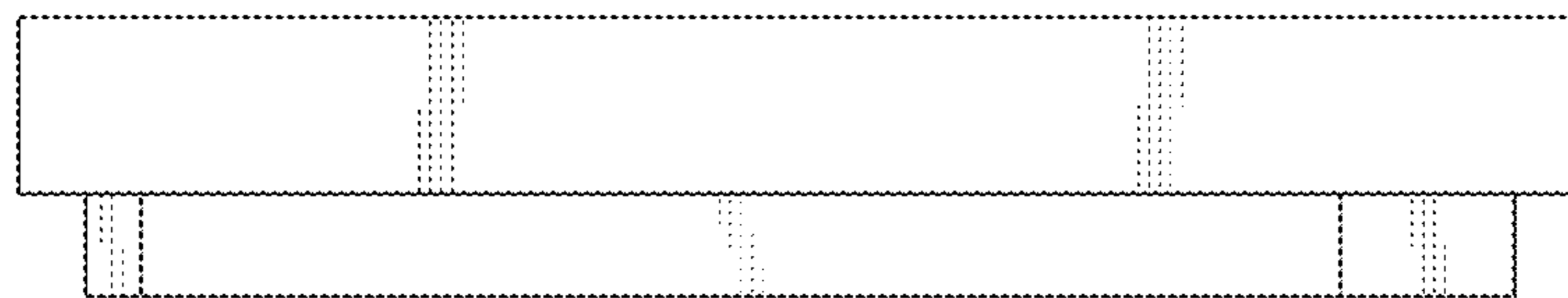


FIG.6

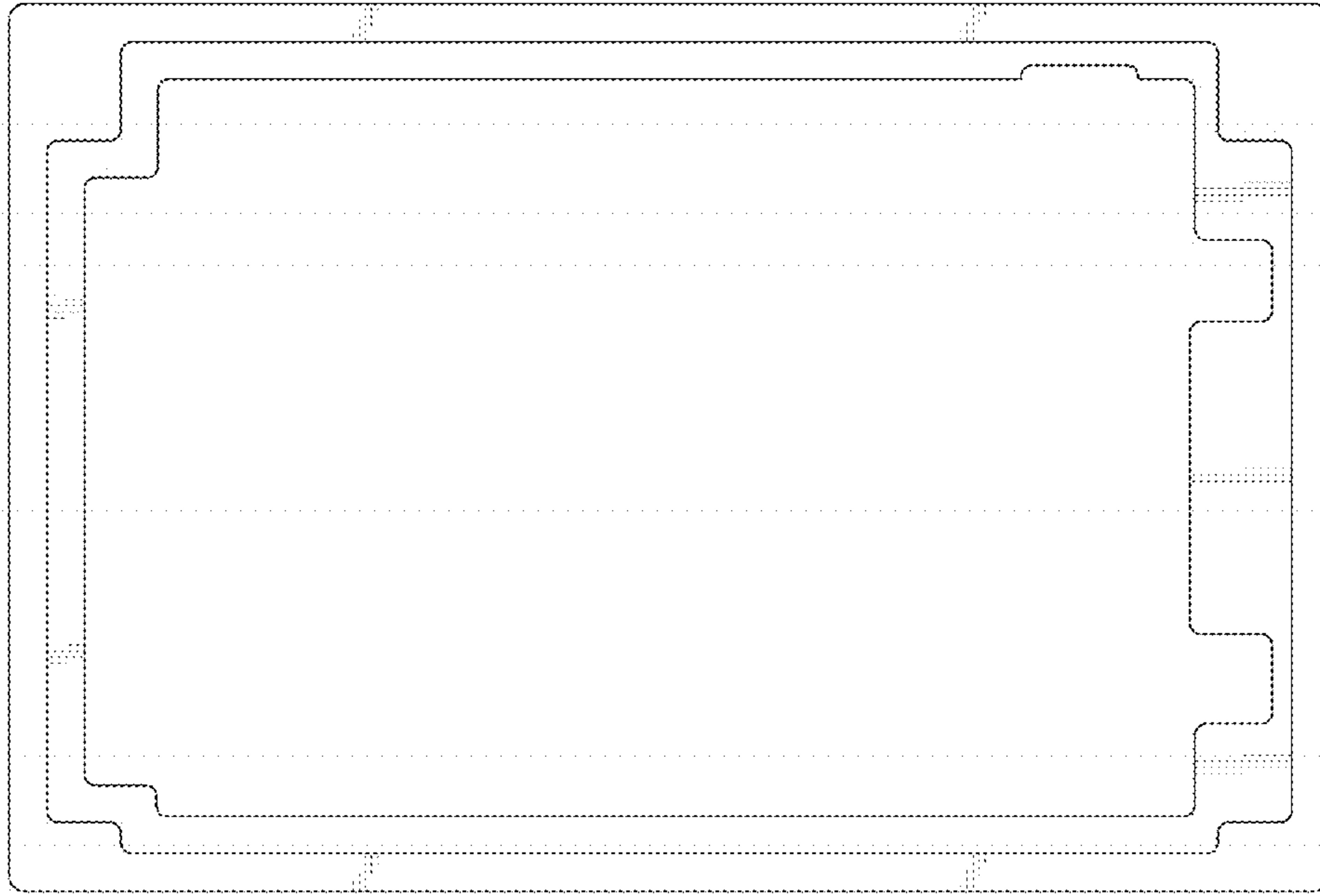


FIG.7

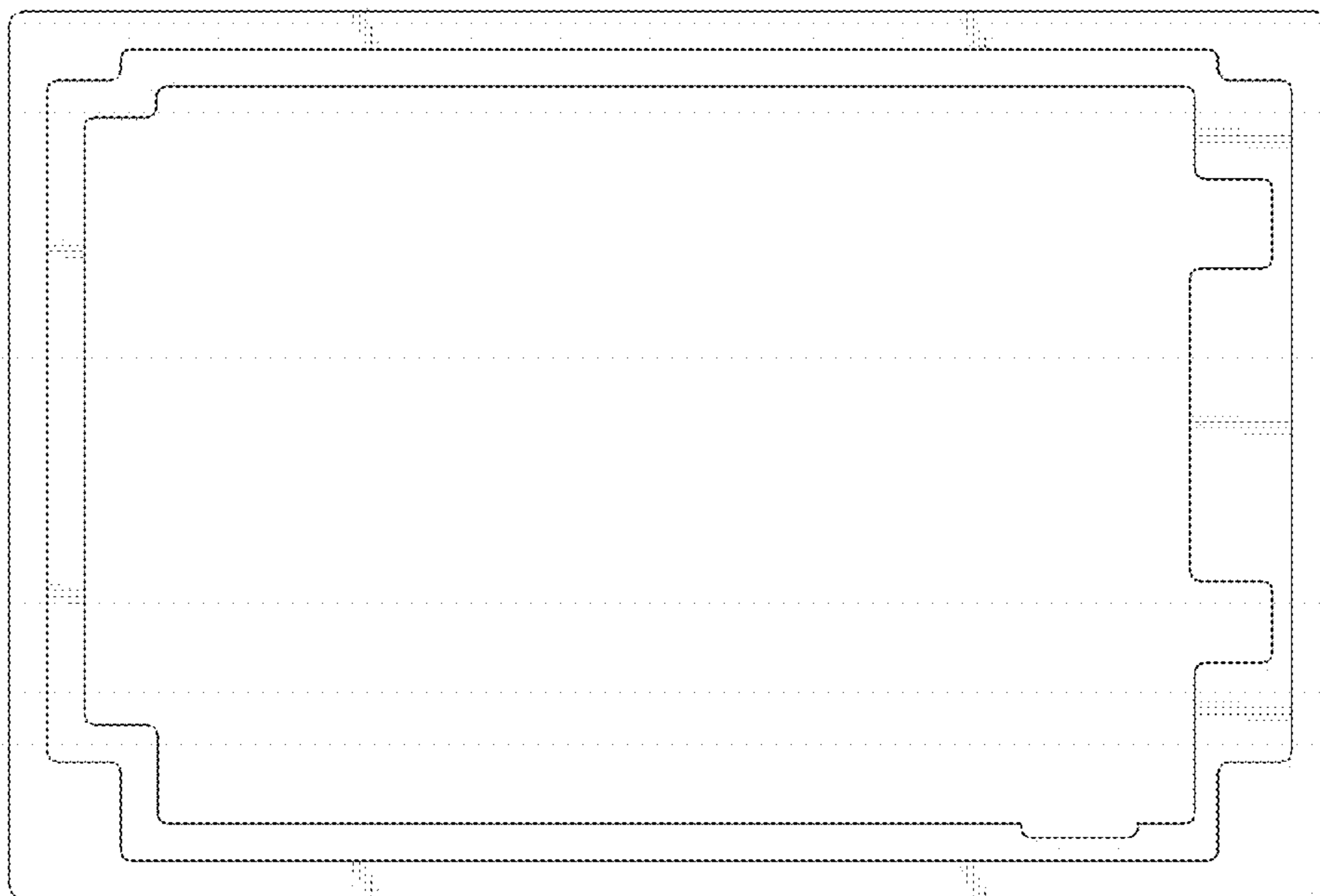


FIG.8

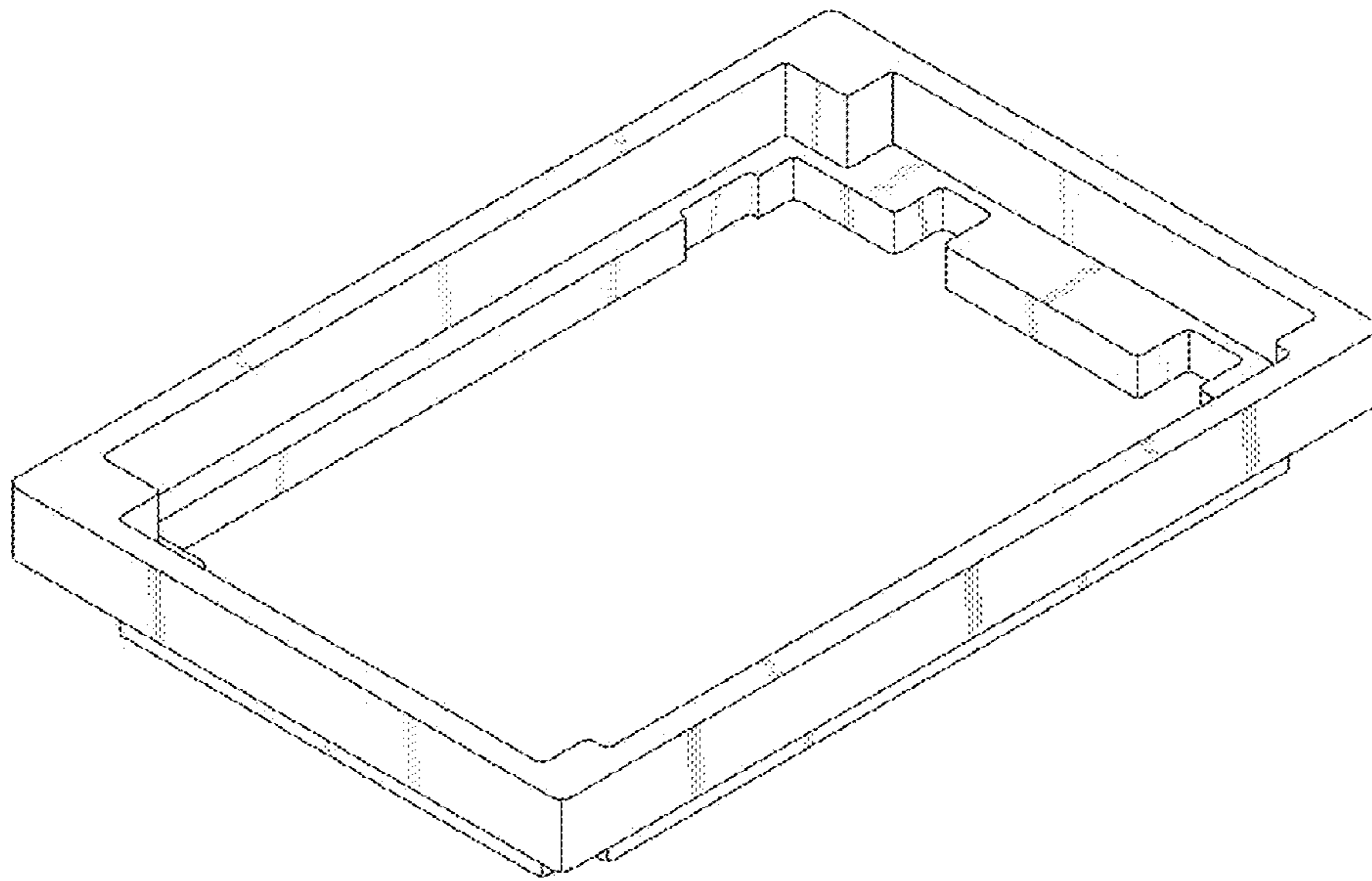


FIG.9

