



US00D727152S

(12) **United States Design Patent**
Yaseen

(10) **Patent No.:** **US D727,152 S**
(45) **Date of Patent:** **** Apr. 21, 2015**

(54) **CLOSURE FOR CONTAINERS**

(71) Applicant: **River Manufacturing Limited,**
Middlesex (GB)

(72) Inventor: **Penelope Ann Yaseen,** Middlesex (GB)

(**) Term: **14 Years**

(21) Appl. No.: **29/459,075**

(22) Filed: **Jun. 25, 2013**

(30) **Foreign Application Priority Data**

Jan. 3, 2013 (EM) 002161547-0001
Jan. 3, 2013 (EM) 002161547-0002
Jan. 3, 2013 (EM) 002161547-0003
Jan. 3, 2013 (EM) 002161547-0004
Jan. 3, 2013 (EM) 002161547-0005

(51) **LOC (10) Cl.** **09-07**

(52) **U.S. Cl.**
USPC **D9/454**

(58) **Field of Classification Search**
USPC D7/300, 300.1, 392.1, 396.2, 531, 703;
D9/434, 435, 436, 438, 440-5, 447,
D9/449, 499, 502; 215/200, 235, 236, 252,
215/254, 329, 355-364;
220/203.04-203.07, 203.11, 254.1,
220/254.4, 556, 703, 704, 705, 787, 789

See application file for complete search history.

(56) **References Cited**

U.S. PATENT DOCUMENTS

D32,681	S	*	5/1900	Morgenthaler	D9/434
1,496,310	A	*	6/1924	Hammer	215/329
2,308,224	A	*	1/1943	Young	215/254
3,283,942	A	*	11/1966	Collie	220/789
4,305,516	A	*	12/1981	Perne et al.	215/252
D291,971	S	*	9/1987	Smith	D9/447
D359,682	S	*	6/1995	Miller	D9/434
D384,886	S	*	10/1997	Plante	D9/436
D486,735	S	*	2/2004	DeBiasse et al.	D9/445
D505,325	S	*	5/2005	DeBiasse et al.	D9/444
D677,523	S	*	3/2013	Blckert et al.	D7/392.1
2008/0073313	A1	*	3/2008	Brant	215/329
2008/0149586	A1	*	6/2008	Loughrin et al.	215/252

* cited by examiner

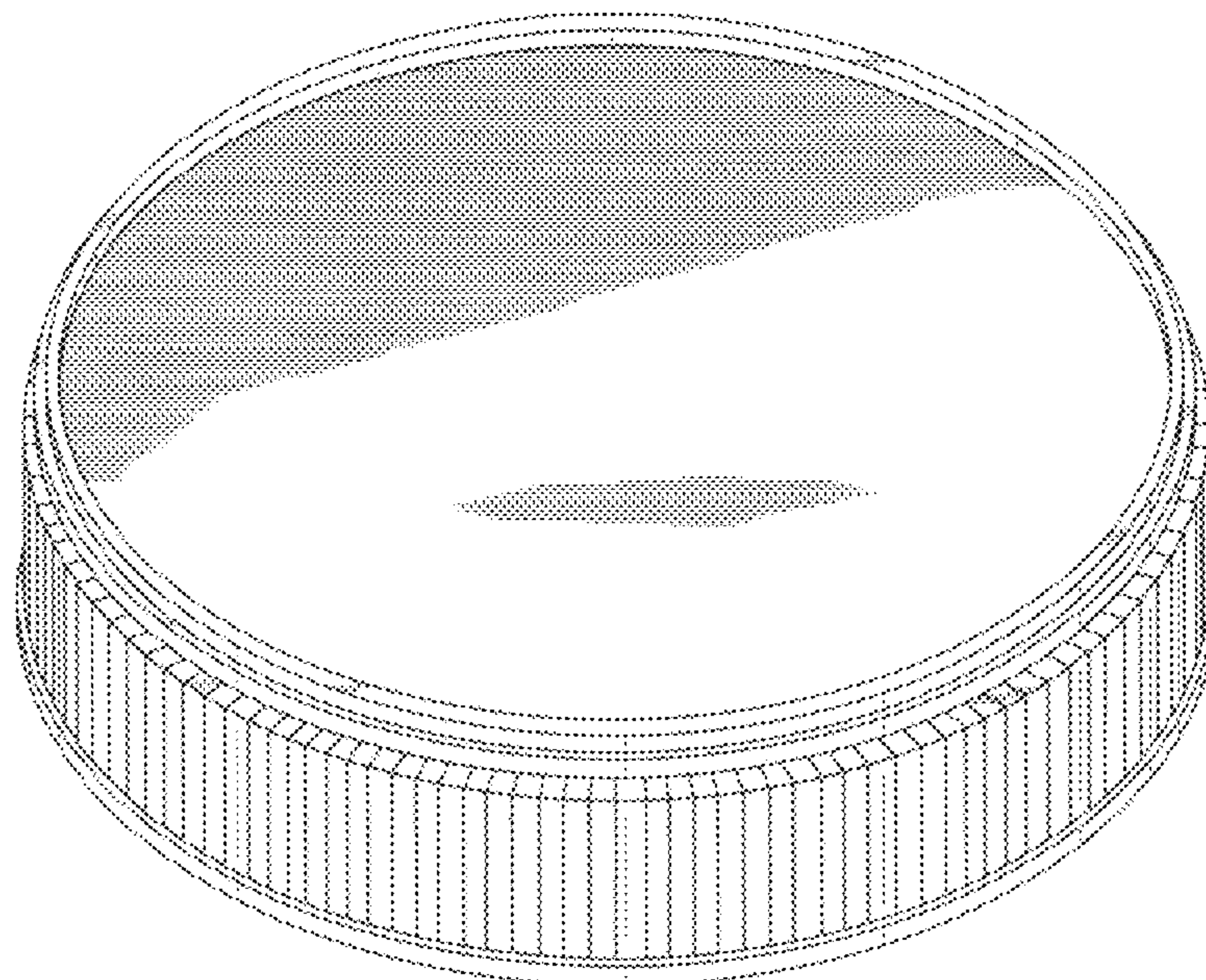
Primary Examiner — Robert M Spear
Assistant Examiner — Darcey E Heflin
(74) *Attorney, Agent, or Firm* — Z IP Law PLLC; Claire Zopf

(57) **CLAIM**
I claim the ornamental design for a closure for containers, as shown and described.

DESCRIPTION

FIG. 1 is a top view of a closure for containers;
FIG. 2 is a side elevation view thereof according to the present invention;
FIG. 3 is a bottom view thereof according to the present invention; and,
FIG. 4 is a top perspective view thereof according to the present invention.
The broken lines in the drawings represent unclaimed environmental subject matter and form no part of the claim.

1 Claim, 3 Drawing Sheets



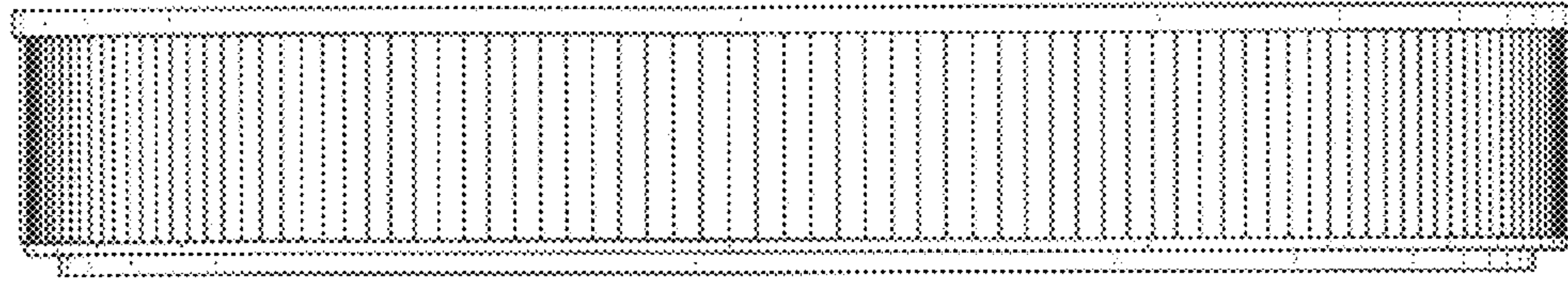


FIG. 2

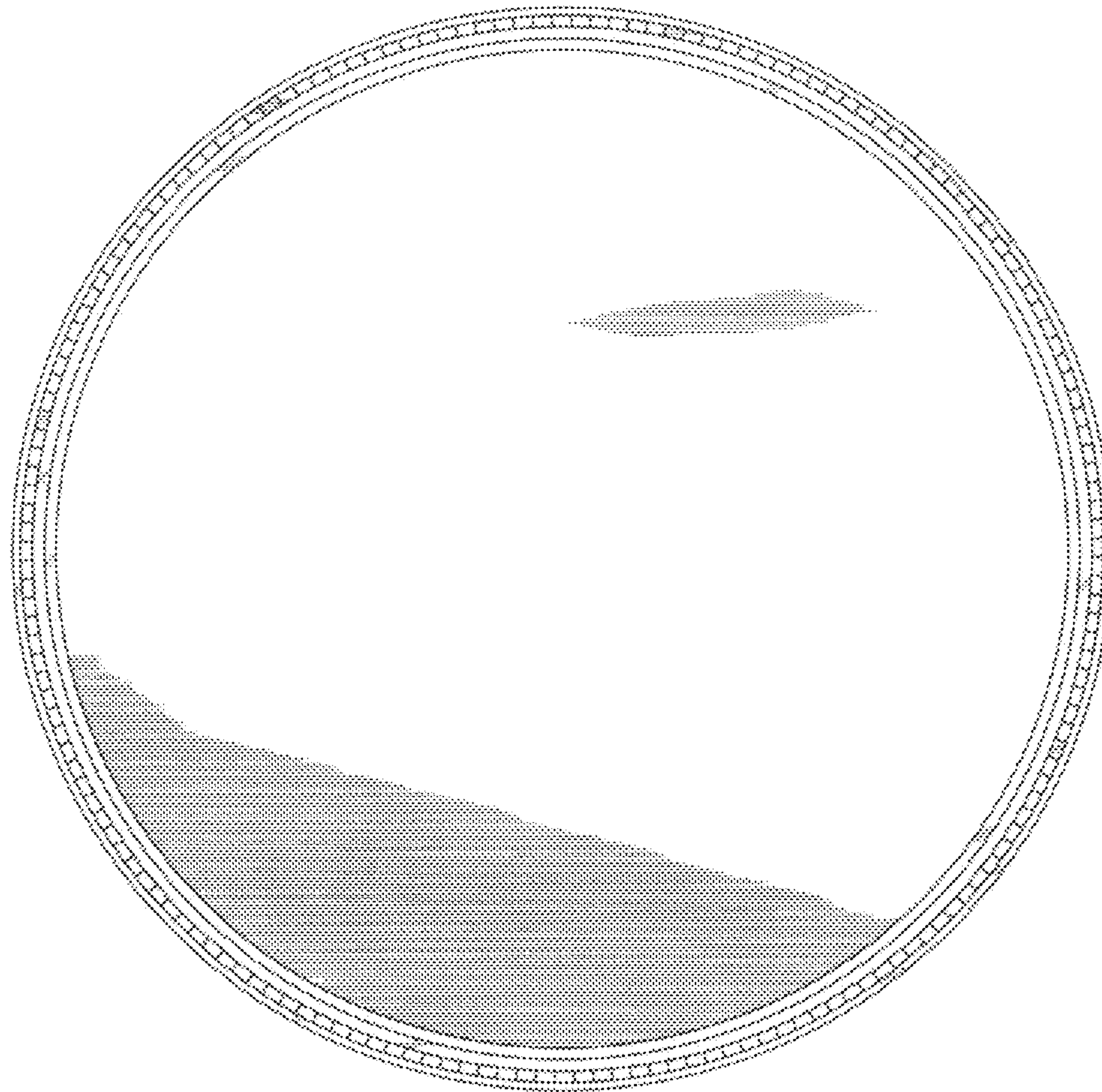


FIG. 1

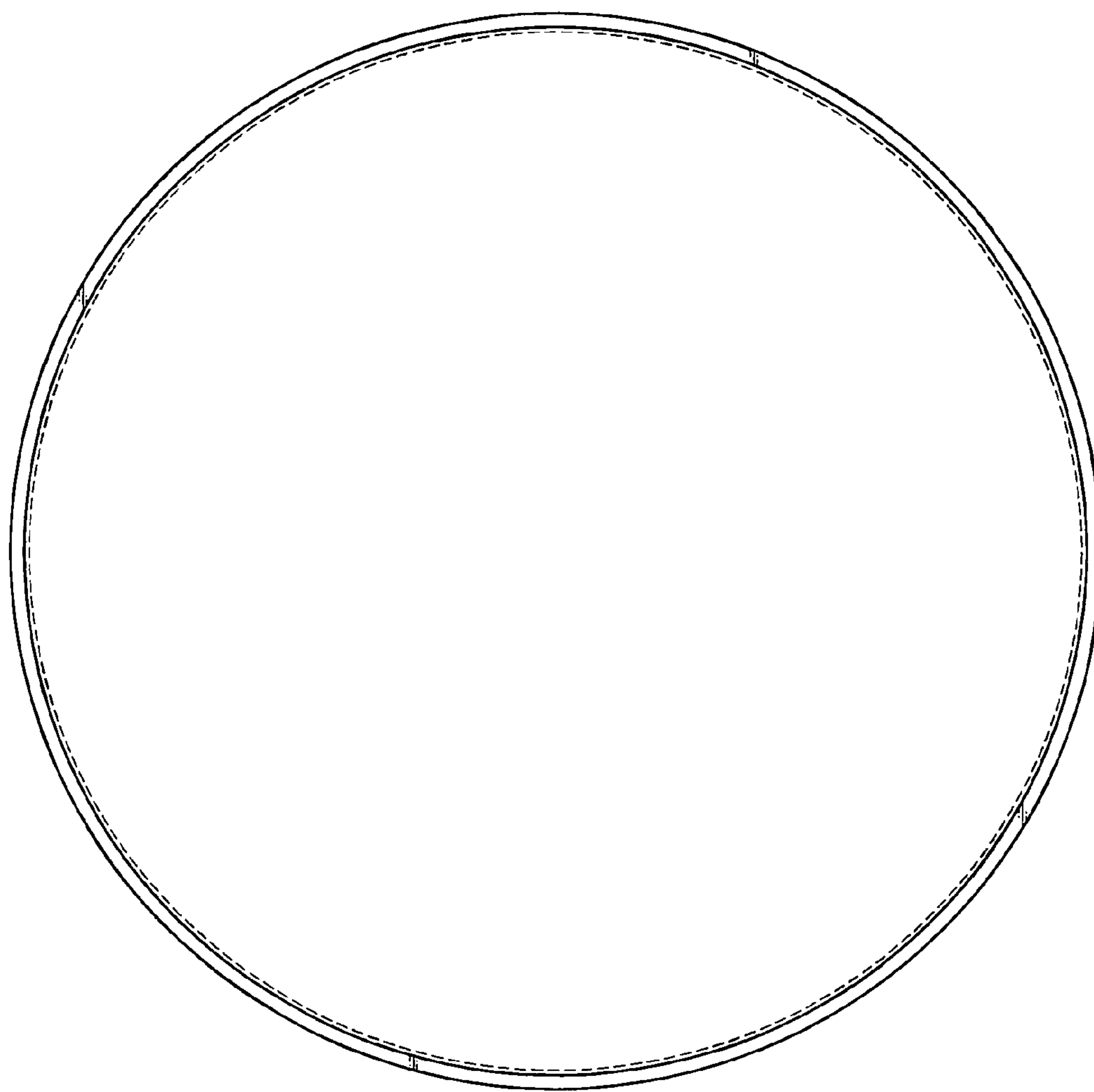


FIG. 3

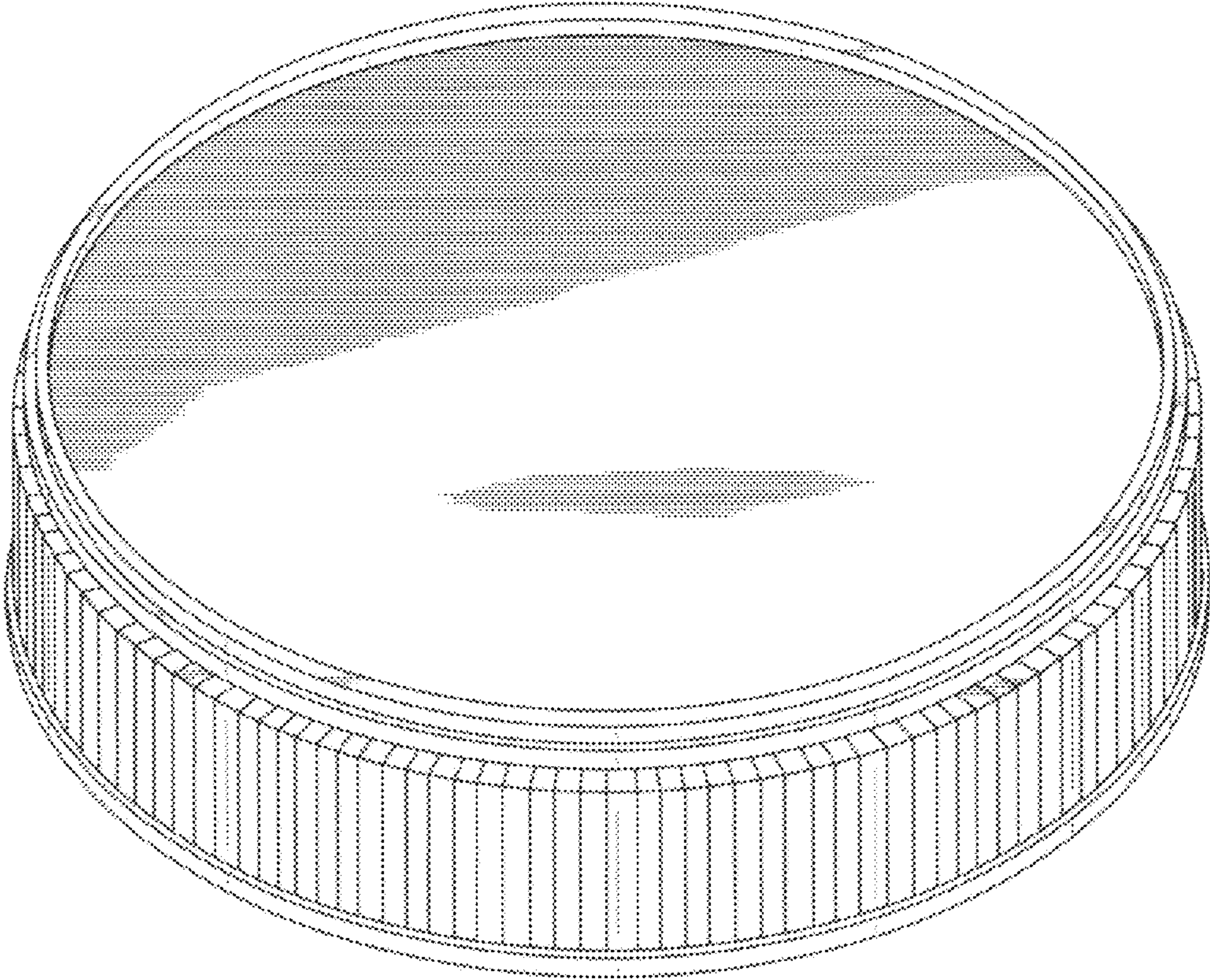


FIG. 4