

US00D727144S

(12) **United States Design Patent**
Fischer

(10) **Patent No.:** **US D727,144 S**
(45) **Date of Patent:** **** Apr. 21, 2015**

- (54) **CUBE-SHAPED BOX AND BLANK**
- (71) Applicant: **GreetingQUBE, LLC**, Washington, MO (US)
- (72) Inventor: **Joseph M. Fischer**, Washington, MO (US)
- (73) Assignee: **GreetingQUBE, LLC**, Washington, MO (US)
- (**) Term: **14 Years**
- (21) Appl. No.: **29/446,948**
- (22) Filed: **Feb. 28, 2013**
- (51) **LOC (10) Cl.** **09-03**
- (52) **U.S. Cl.**
USPC **D9/433**
- (58) **Field of Classification Search**
CPC B65D 5/00; B65D 5/0015; B65D 5/0045;
B65D 5/18; B65D 5/40; B65D 5/2033;
B65D 1/22; B65D 1/225; B65D 1/24; B65D
1/34; B65D 1/38
USPC D9/414-433, 444-445, 456, 711, 715,
D9/718, 748; D7/601, 602, 538, 540,
D7/550.1; D3/203.5, 202, 207, 210
See application file for complete search history.

(56) **References Cited**

U.S. PATENT DOCUMENTS

1,847,598 A * 3/1932 Cornell 229/120
(Continued)

Primary Examiner — Susan Bennett Hattan
Assistant Examiner — Vy Koenig

(74) *Attorney, Agent, or Firm* — Thompson Coburn LLP

(57) **CLAIM**

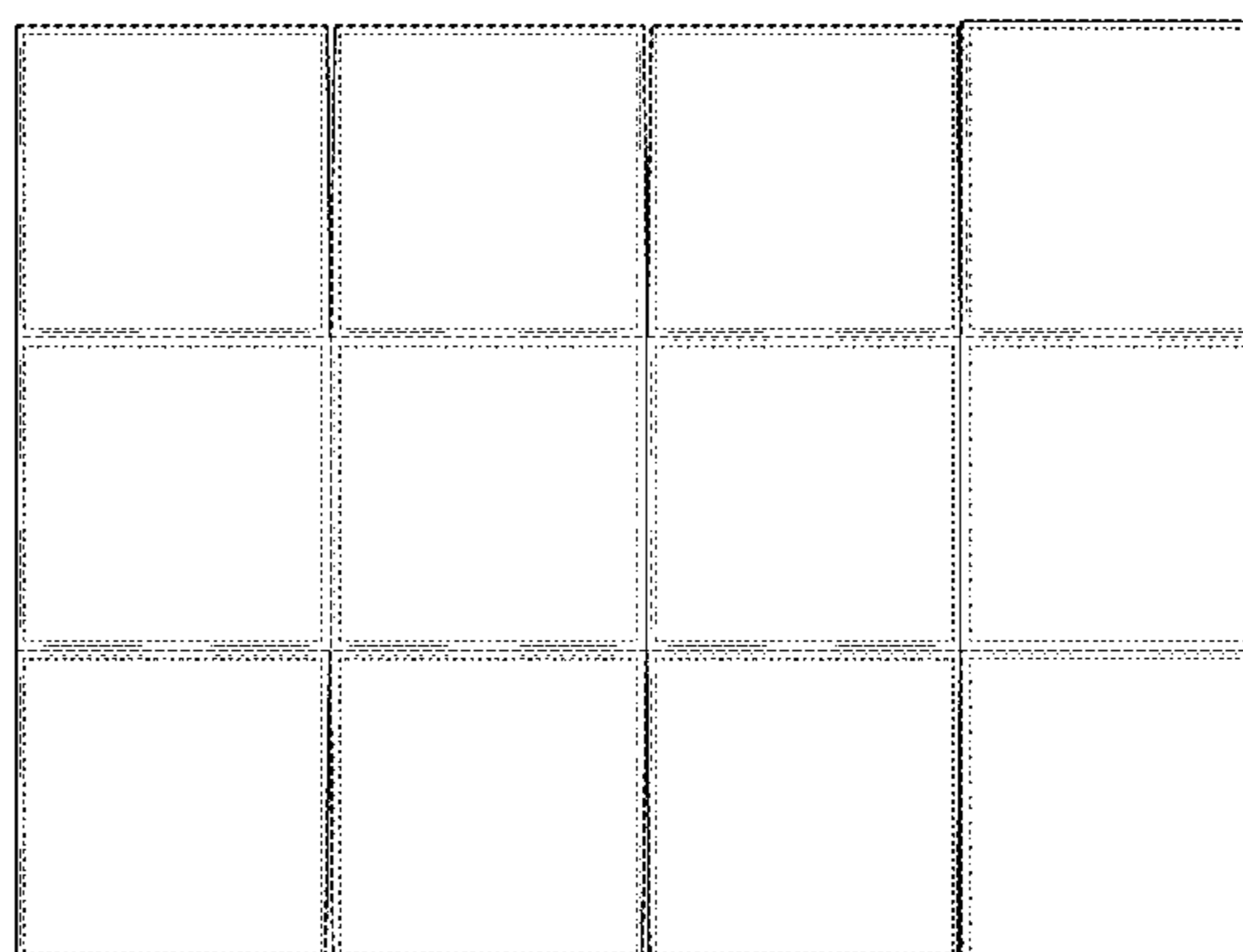
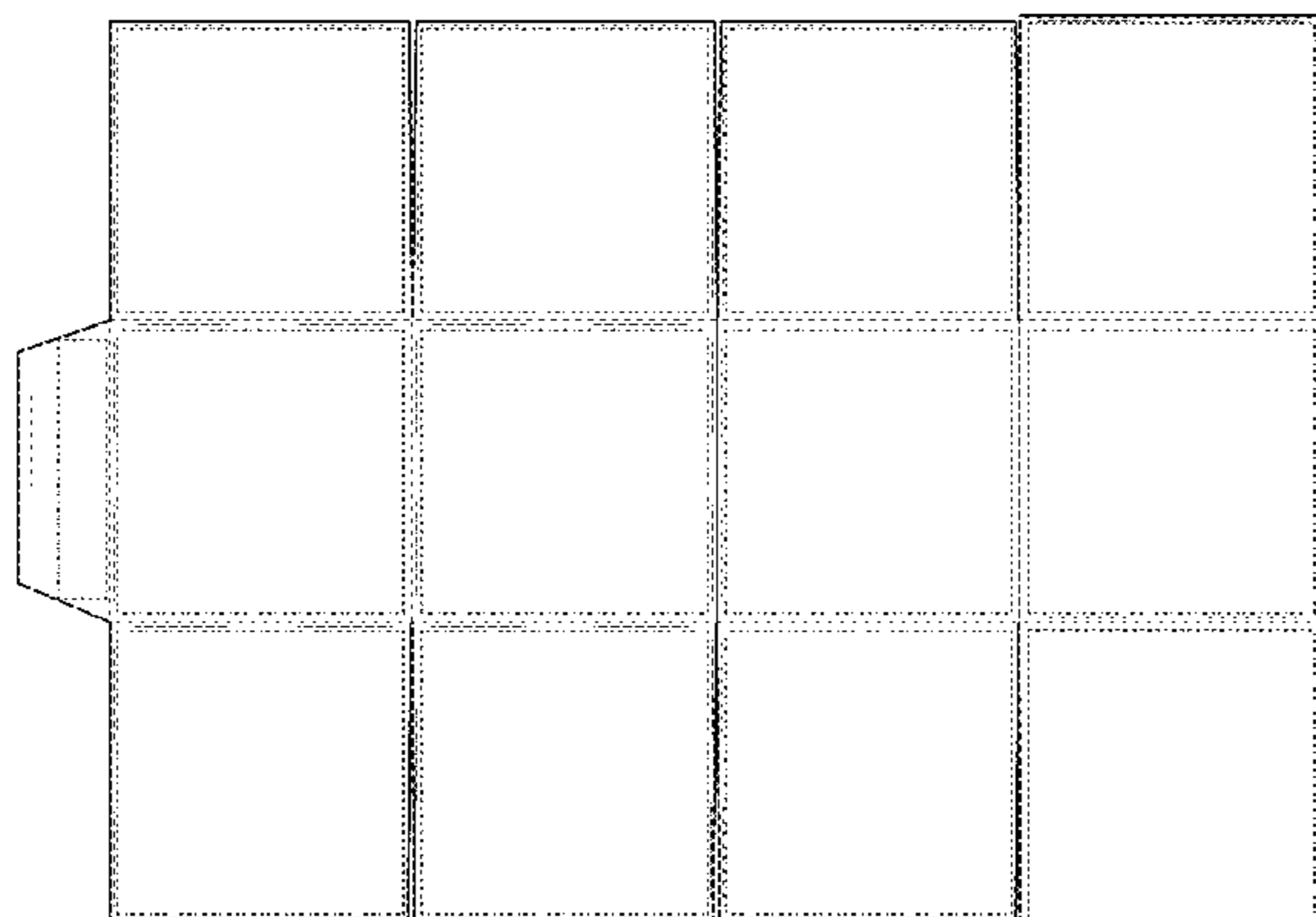
The ornamental design for a cube-shaped box and blank, as shown and described.

DESCRIPTION

FIG. 1 is a top plan view of a first configuration of a cube-shaped box and blank showing my new design;
FIG. 2 is a bottom view of the cube-shaped box and blank of FIG. 1;

FIG. 3 is a left side view of the cube-shaped box and blank of FIG. 1;
FIG. 4 is a right side view of the cube-shaped box and blank of FIG. 1;
FIG. 5 is a front view of the cube-shaped box and blank of FIG. 1;
FIG. 6 is a rear view of the cube-shaped box and blank of FIG. 1;
FIG. 7 is a perspective view of an alternate configuration of the cube-shaped box and blank of FIG. 1 folded along fold lines to form a cube-shaped box;
FIG. 8 is a top plan view of a first configuration of an alternate embodiment of a cube-shaped box and blank showing my new design;
FIG. 9 is a bottom view of the cube-shaped box and blank of FIG. 8;
FIG. 10 is a left side view of the cube-shaped box and blank of FIG. 8;
FIG. 11 is a right side view of the cube-shaped box and blank of FIG. 8;
FIG. 12 is a front view of the cube-shaped box and blank of FIG. 8;
FIG. 13 is a rear view of the cube-shaped box and blank of FIG. 8; and
FIG. 14 is a perspective view of an alternate configuration of the cube-shaped box and blank of FIG. 8 folded along fold lines to form a cube-shaped box;
FIG. 15 is a top plan view of a first configuration of an alternate embodiment of a cube-shaped box and blank showing my new design;
FIG. 16 is a bottom view of the cube-shaped box and blank of FIG. 15;
FIG. 17 is a left side view of the cube-shaped box and blank of FIG. 15;
FIG. 18 is a right side view of the cube-shaped box and blank of FIG. 15;
FIG. 19 is a front view of the cube-shaped box and blank of FIG. 15;
FIG. 20 is a rear view of the cube-shaped box and blank of FIG. 15; and,
FIG. 21 is a perspective view of an alternate configuration of the cube-shaped box and blank of FIG. 15 folded along fold lines to form a cube-shaped box.
In the drawings, the light weight lines identify creases or fold lines of the cube-shaped box and blank. The heavy weight lines define the outer periphery of the cube-shaped box and blank. The dashed lines define areas which form no part of the claimed design and identify area(s) where a greeting or other indicia may be displayed.

1 Claim, 12 Drawing Sheets



US D727,144 S

Page 2

(56)

References Cited

U.S. PATENT DOCUMENTS

3,445,052 A * 5/1969 Lewallen 428/158
D311,686 S * 10/1990 Tozawa D9/423

D485,176 S * 1/2004 Hoffman et al. D9/433
D485,492 S * 1/2004 Hoffman et al. D9/433
D511,092 S * 11/2005 Shea D9/433

* cited by examiner

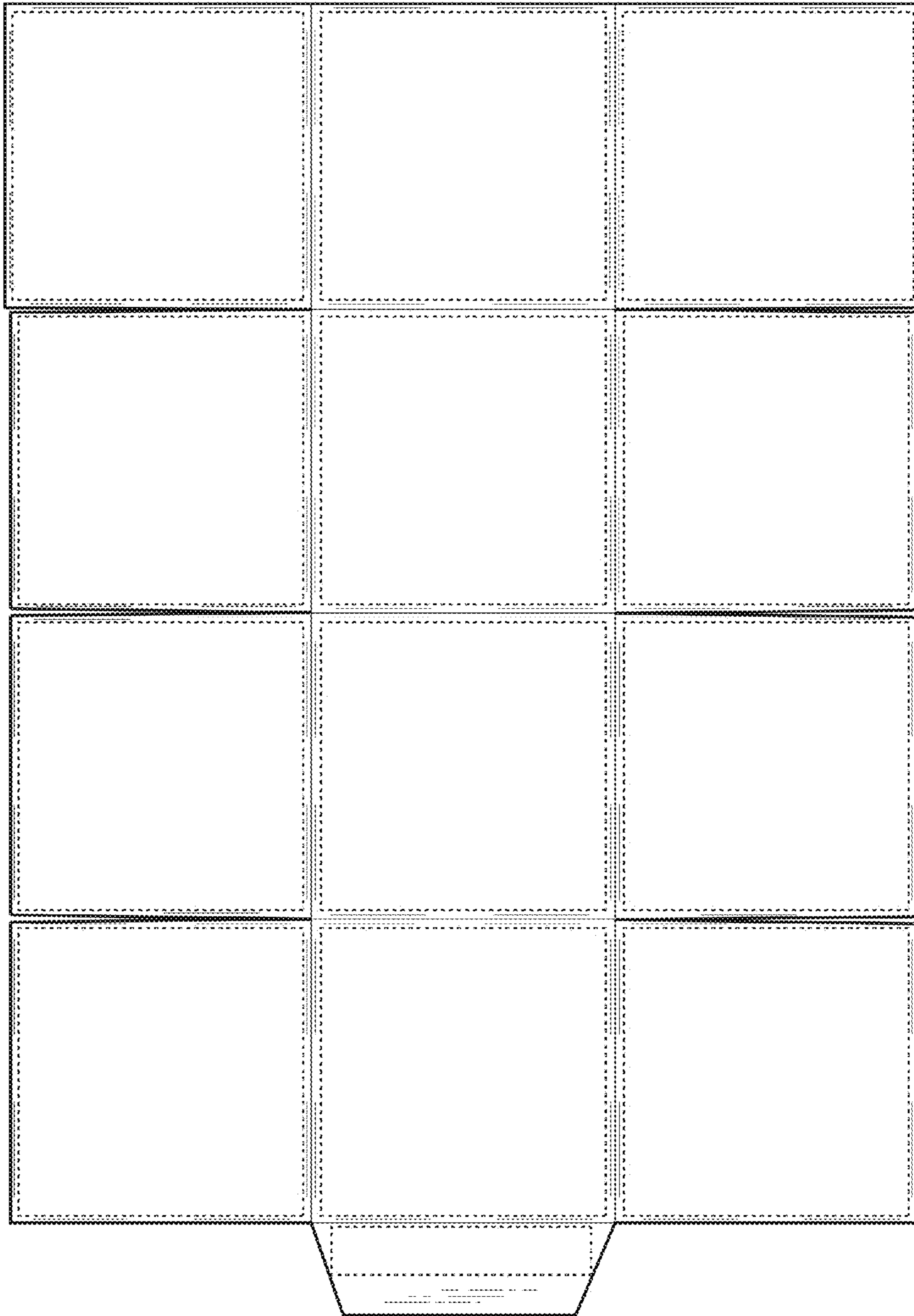


FIG. 1

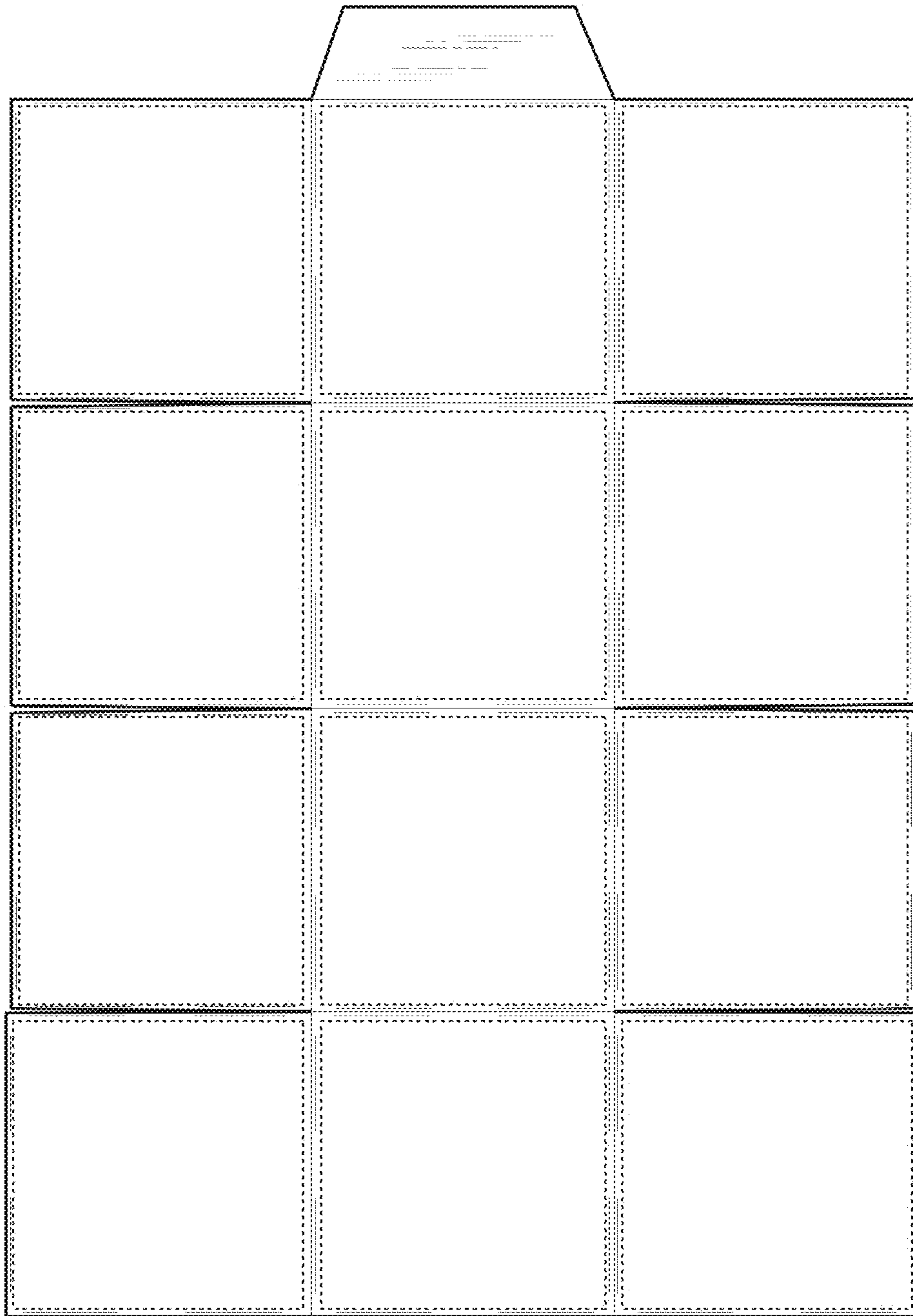


FIG. 2



FIG. 3



FIG. 4



FIG. 5



FIG. 6

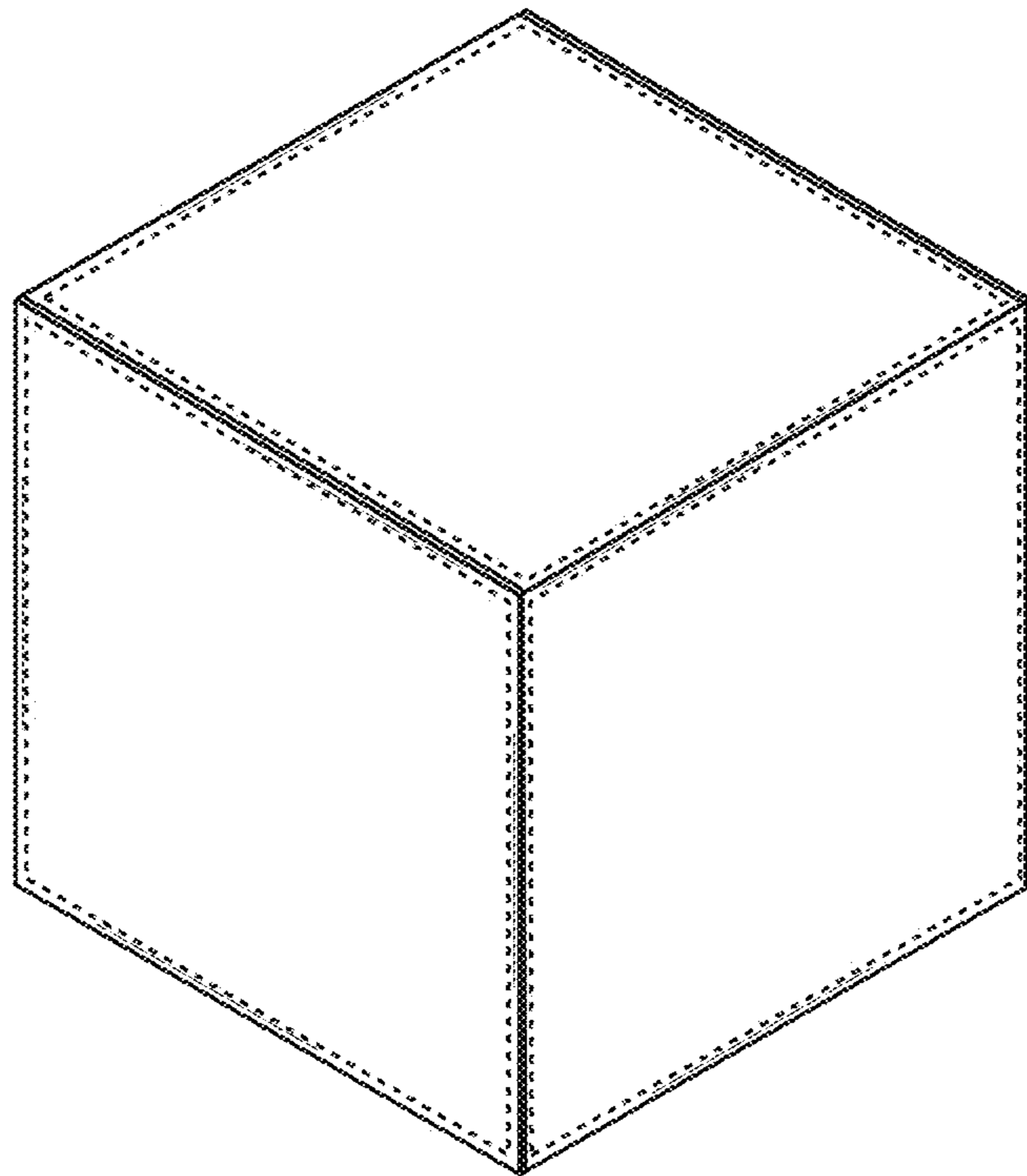


FIG. 7

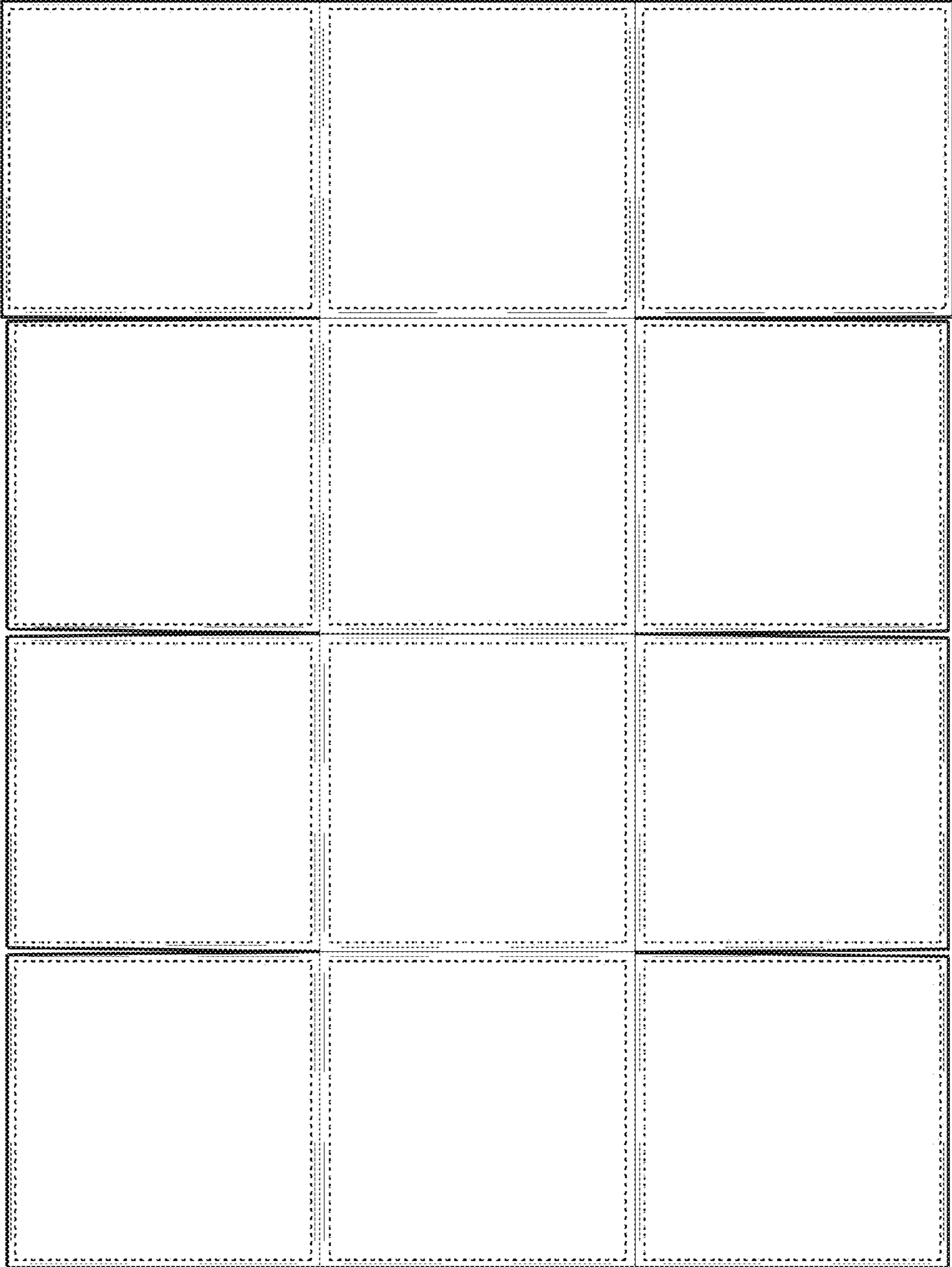


FIG. 8

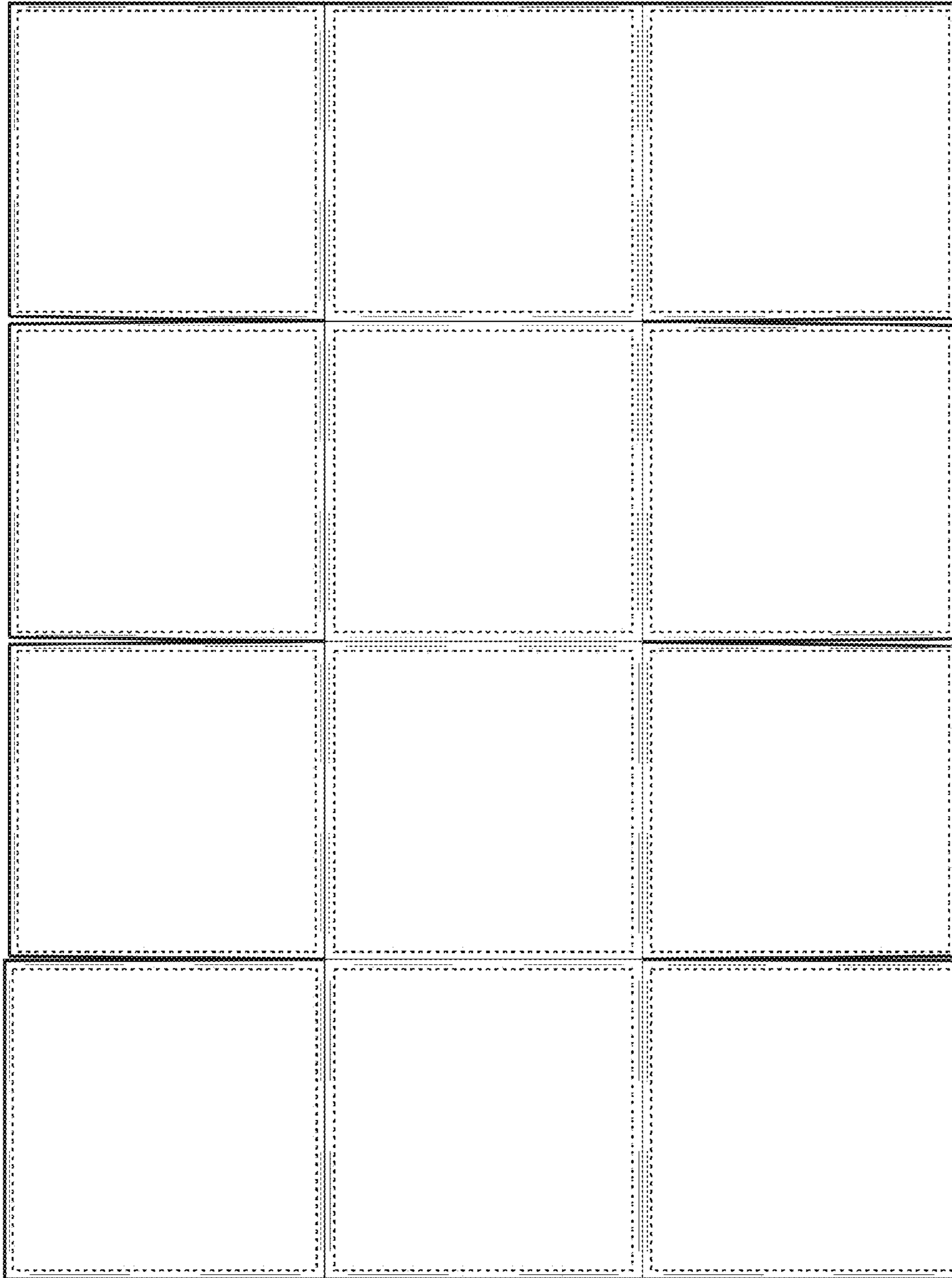


FIG. 9



FIG. 10



FIG. 11



FIG. 12



FIG. 13

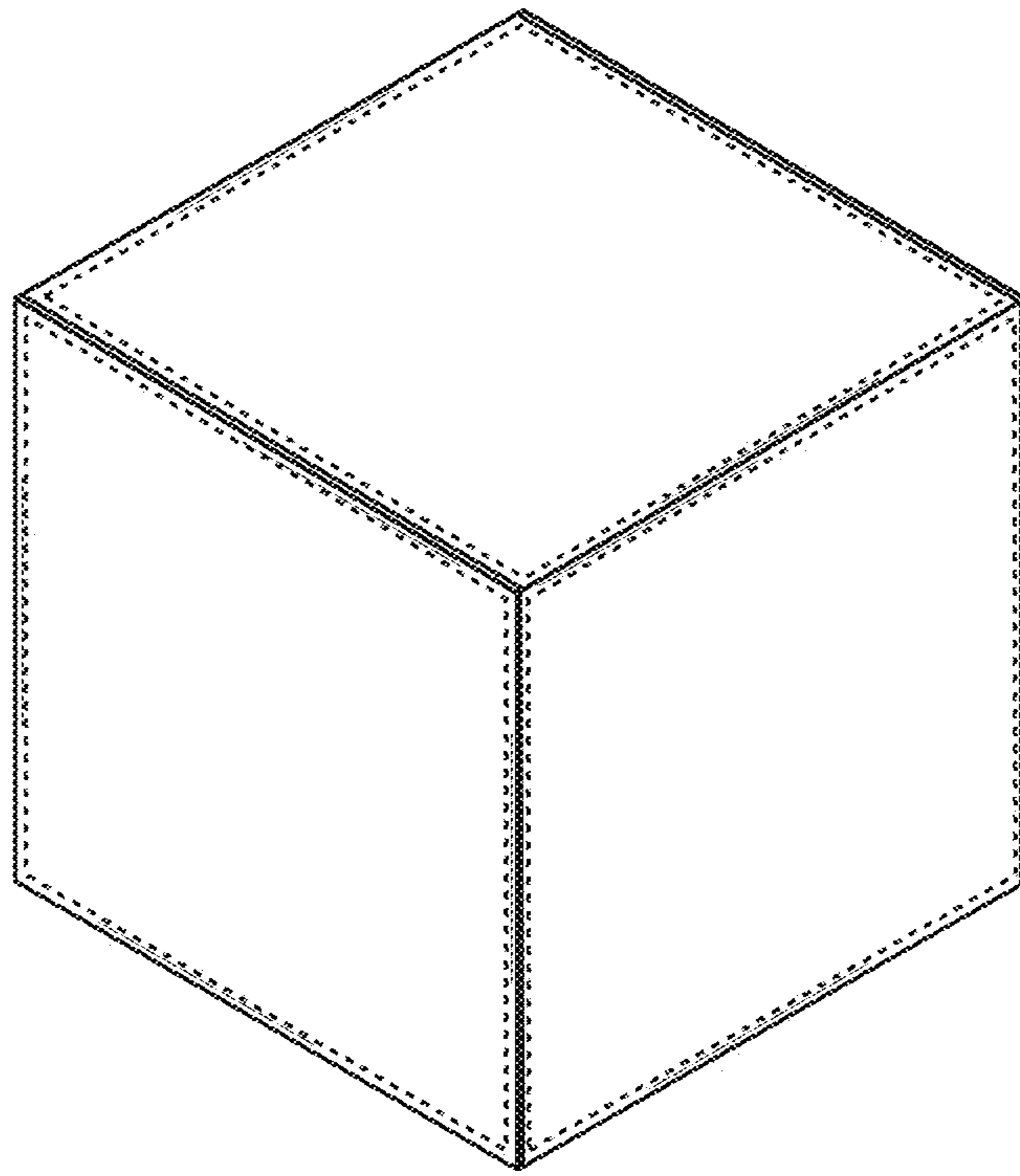


FIG. 14

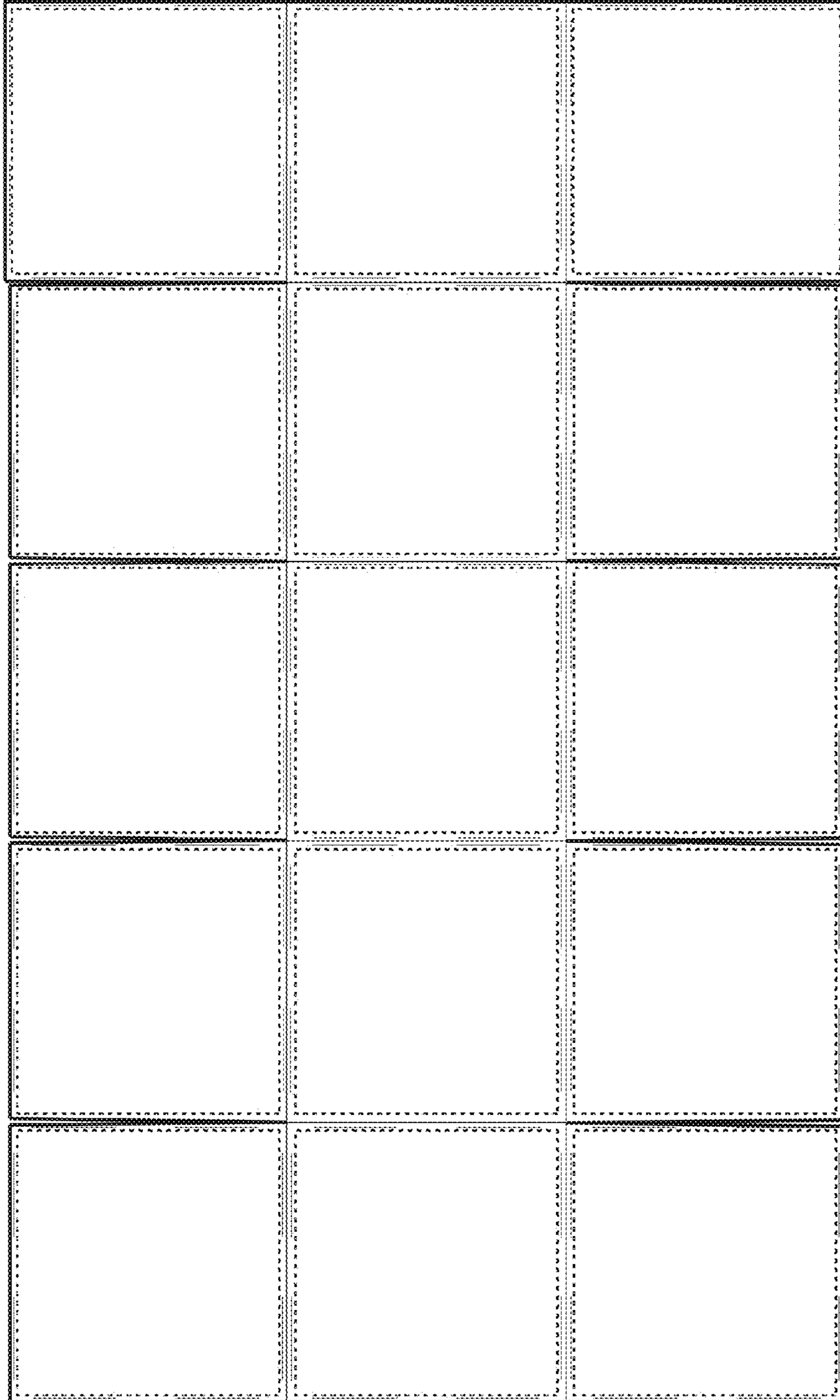


FIG. 15

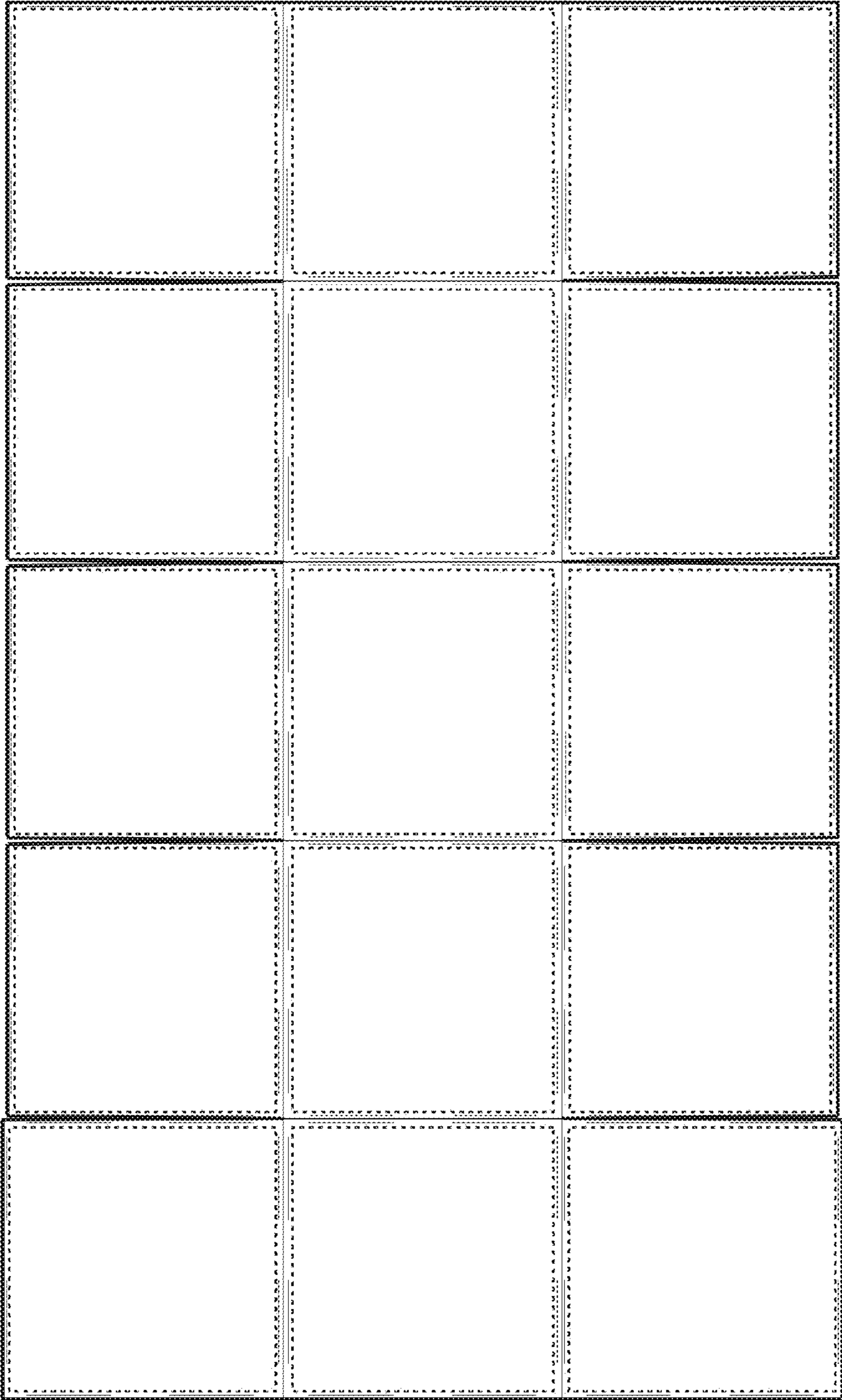


FIG. 16



FIG. 17



FIG. 18



FIG. 19



FIG. 20

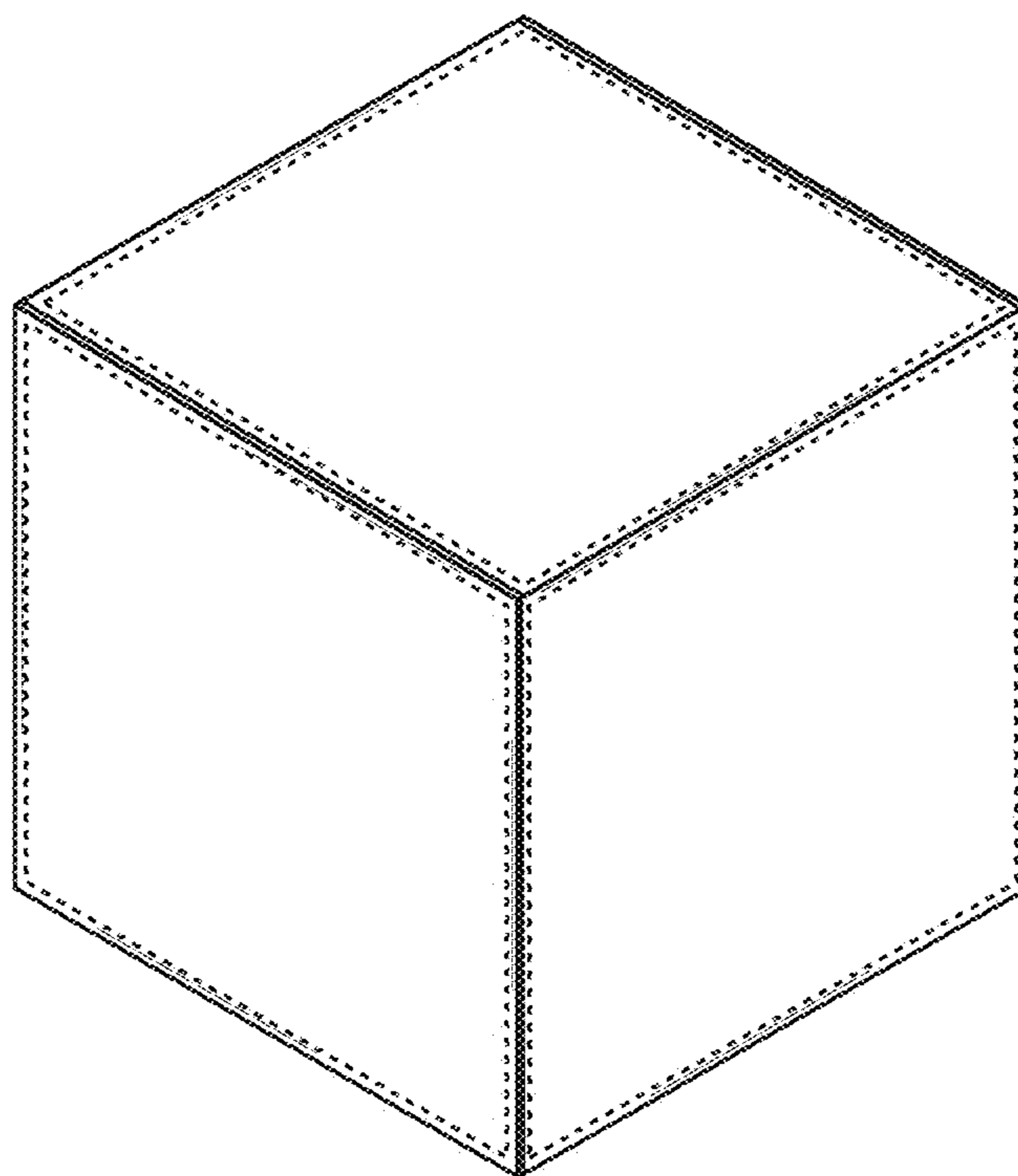


FIG. 21