



US00D727141S

(12) **United States Design Patent**
Mastropasqua et al.

(10) **Patent No.:** **US D727,141 S**
(45) **Date of Patent:** **** Apr. 21, 2015**

(54) **COFFEE CAPSULE**

(71) Applicant: **Illycaffè S.p.A.**, Trieste (IT)

(72) Inventors: **Luca Mastropasqua**, Trieste (IT);
Giuseppe Cutuli, Trieste (IT); **Carlo Bach**, Enemonzo (IT); **Angelo Dori**,
Dusseldorf (IT)

(73) Assignee: **Illycaffè S.p.A.** (IT)

(**) Term: **14 Years**

(21) Appl. No.: **29/486,757**

(22) Filed: **Apr. 2, 2014**

(30) **Foreign Application Priority Data**

Oct. 2, 2013 (EM) 002319012

(51) **LOC (10) CL.** **09-03**

(52) **U.S. CL.**
USPC **D9/416**

(58) **Field of Classification Search**
CPC B65D 1/46; B65D 1/34; B65D 83/0445;
B65D 83/0481; B65D 3/06; B65D 3/28;
B65D 77/245; B65D 81/3869; B65D
2543/00092; B65D 85/78; B65D 2543/00046
USPC D9/416, 429, 428, 778, 776, 503, 425,
D9/431; 220/657, 659; 206/539, 540, 541;
229/400-406, 600, 932, 906.1
See application file for complete search history.

(56) **References Cited**

U.S. PATENT DOCUMENTS

3,527,020 A * 9/1970 Mancini 53/282
D260,243 S * 8/1981 Dogliotti D7/531
D275,179 S * 8/1984 Spencer et al. D9/520
D317,120 S * 5/1991 Schwartzburg D9/778
5,064,073 A * 11/1991 Folland 220/521
D372,738 S * 8/1996 Akerlind D1/199
D381,558 S * 7/1997 Schaefer et al. D7/531

D422,841 S * 4/2000 Milford et al. D7/531
D445,677 S * 7/2001 Lindsay et al. D9/429
D513,152 S * 12/2005 Cahen D7/400
D539,643 S * 4/2007 Abel D9/424
D559,623 S * 1/2008 Schellenberg D7/511
D580,750 S * 11/2008 Claassen et al. D9/428
D606,363 S * 12/2009 Aardenburg D7/400
D621,698 S * 8/2010 Cometto D9/424
D628,883 S * 12/2010 Stephens D9/429
D642,068 S * 7/2011 Milewski et al. D9/696
D642,454 S * 8/2011 Santoiemmo D9/428
D649,870 S * 12/2011 Cometto D9/424
D652,718 S * 1/2012 Caldwell et al. D9/434
D658,493 S * 5/2012 Cometto D9/424
D686,496 S * 7/2013 Strauli D9/439
D689,768 S * 9/2013 Inderbitzin D9/429
D694,112 S * 11/2013 Brown D9/503
D695,110 S * 12/2013 Houlton et al. D9/428
D697,794 S * 1/2014 De Pra D9/425
D699,566 S * 2/2014 De Pra D9/425

(Continued)

Primary Examiner — Joel Sincavage

Assistant Examiner — Rhea Shields

(74) *Attorney, Agent, or Firm* — Cantor Colburn LLP

(57) **CLAIM**

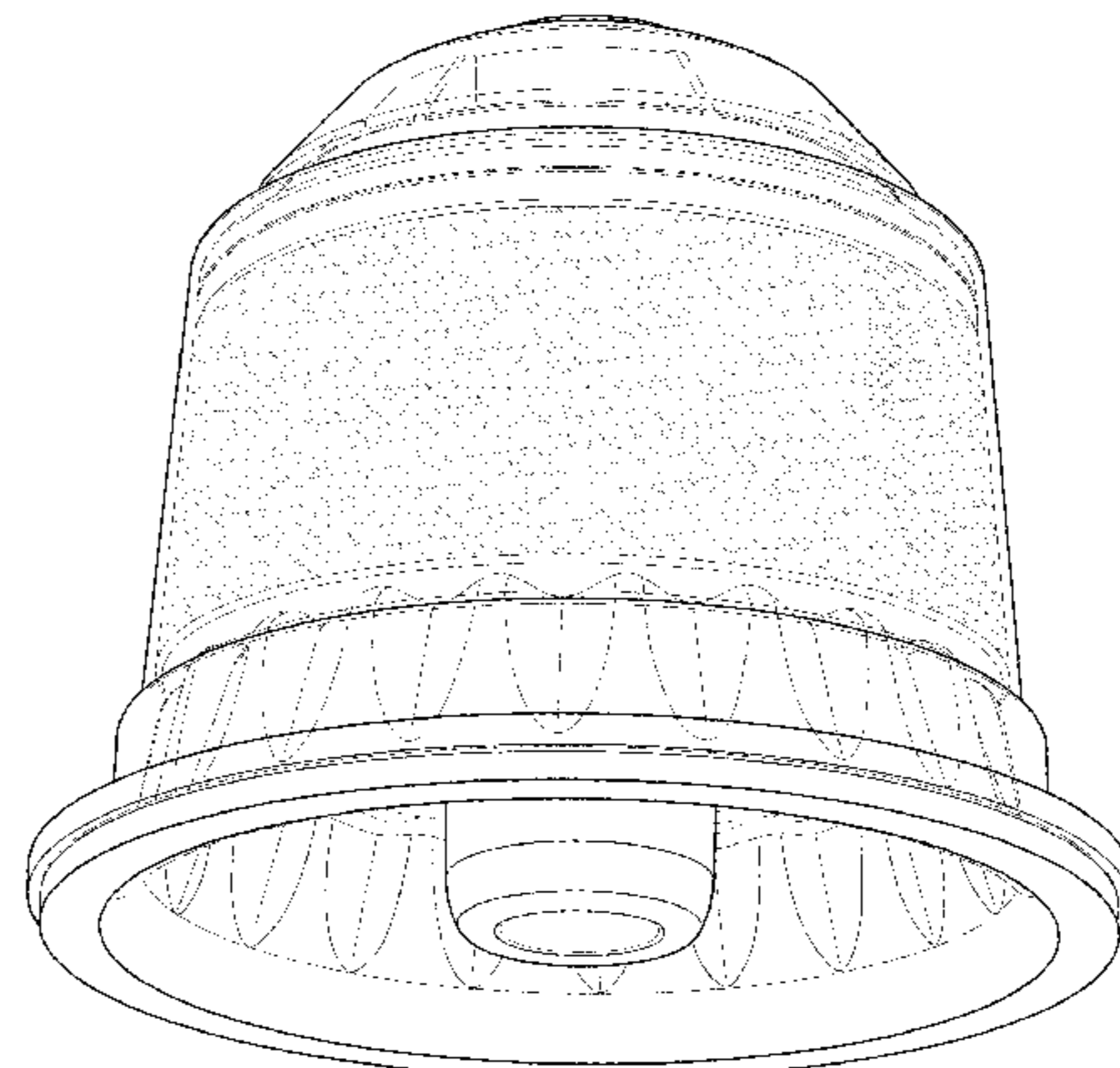
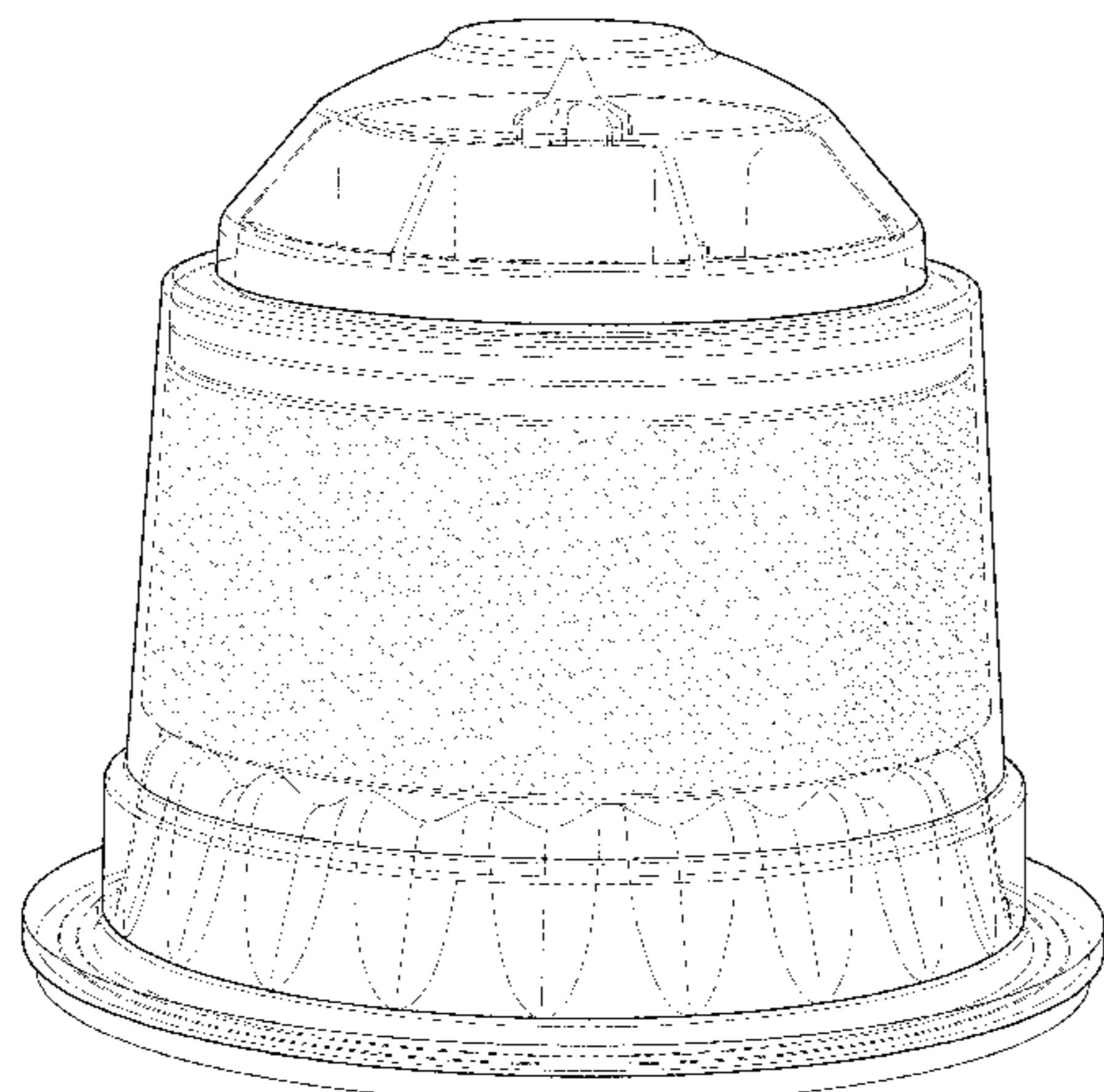
The ornamental design for a coffee capsule, as shown and described.

DESCRIPTION

FIG. 1 is a top perspective view of a coffee capsule showing our new design;
FIG. 2 is a front view thereof;
FIG. 3 is a rear view thereof;
FIG. 4 is a left side view thereof;
FIG. 5 is a top view thereof;
FIG. 6 is a bottom view thereof; and,
FIG. 7 is a bottom perspective view thereof.

The stippling effect in the FIGS. 1 through 5 and 7 depicts a contrast in appearance. In FIGS. 5 through 7 the broken lines illustrate unclaimed subject matter only and form no part of the claimed design.

1 Claim, 7 Drawing Sheets



(56)

References Cited

2011/0212225 A1* 9/2011 Mariller 426/80
2013/0136828 A1* 5/2013 Anghileri 426/112

U.S. PATENT DOCUMENTS

D703,035 S * 4/2014 Zanetti D9/416 * cited by examiner

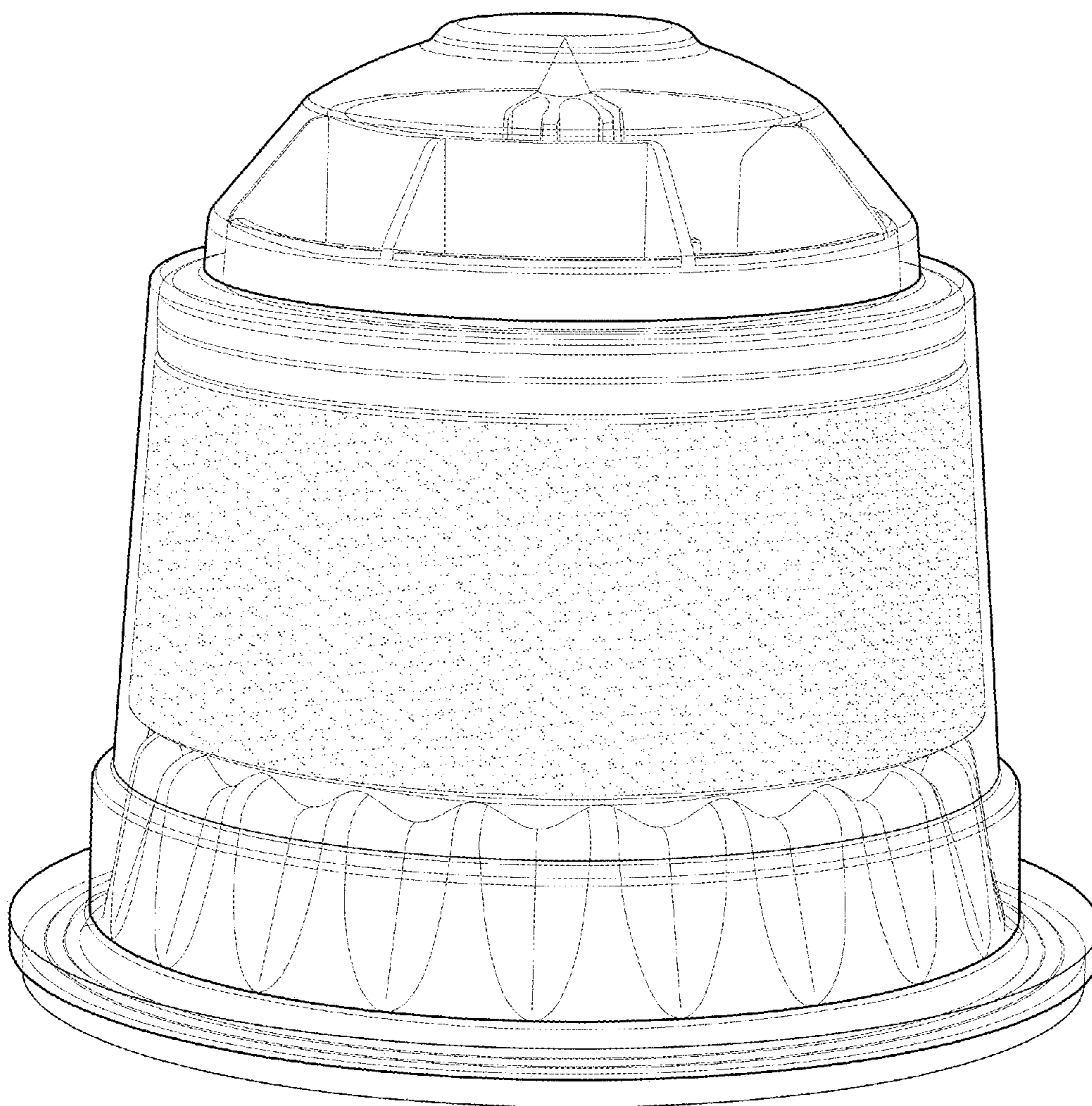


Fig. 1

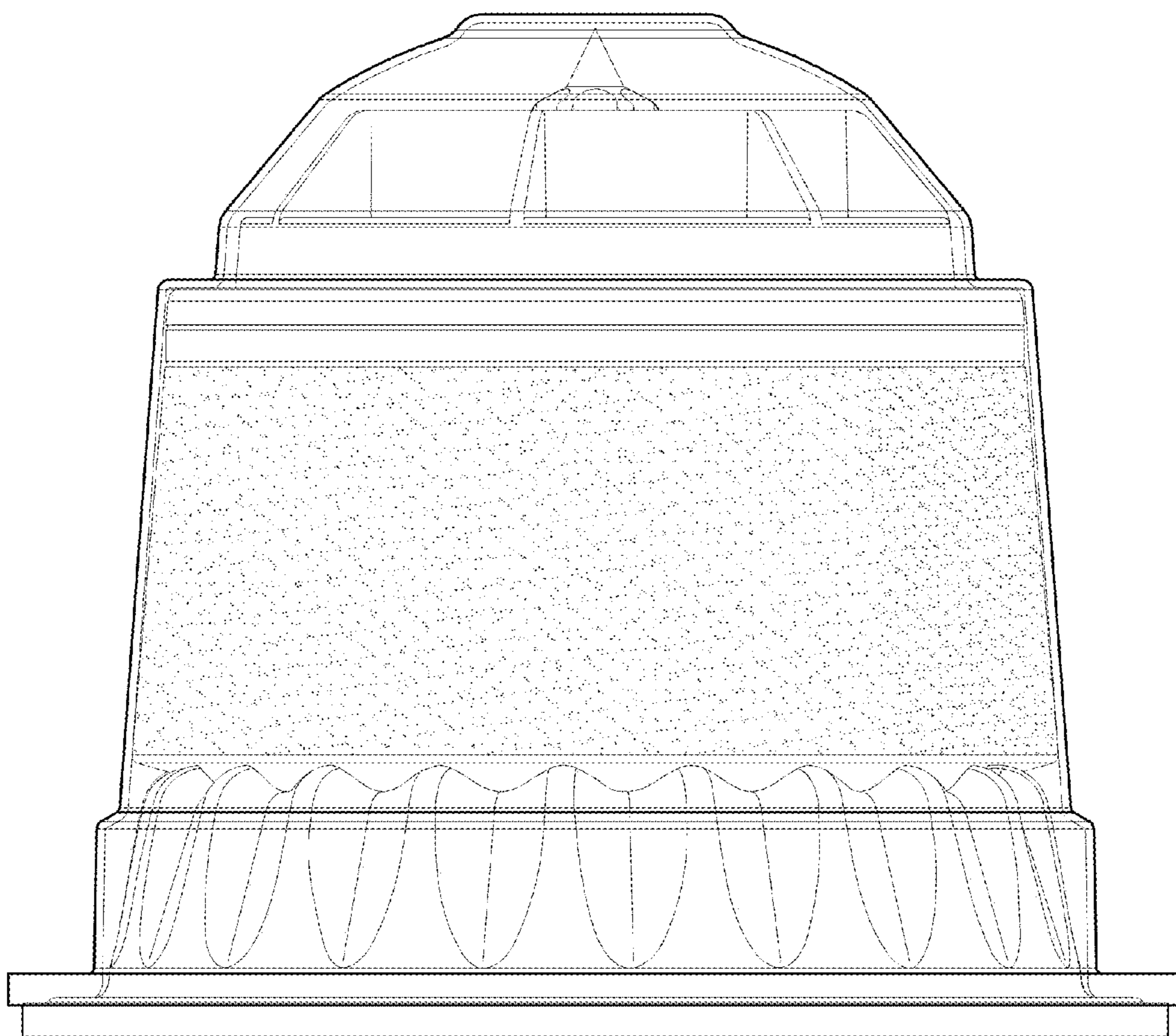


Fig. 2

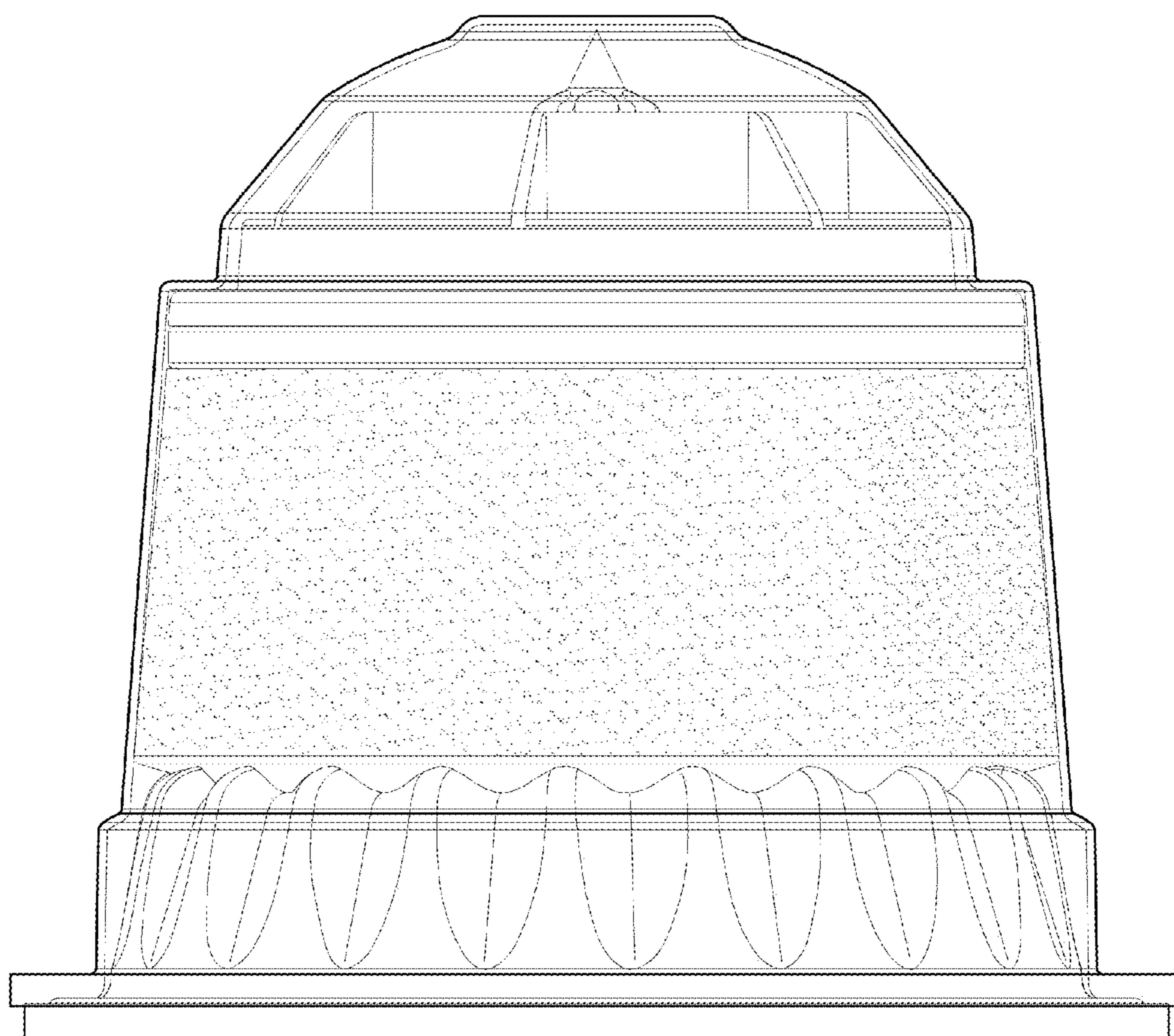


Fig. 3

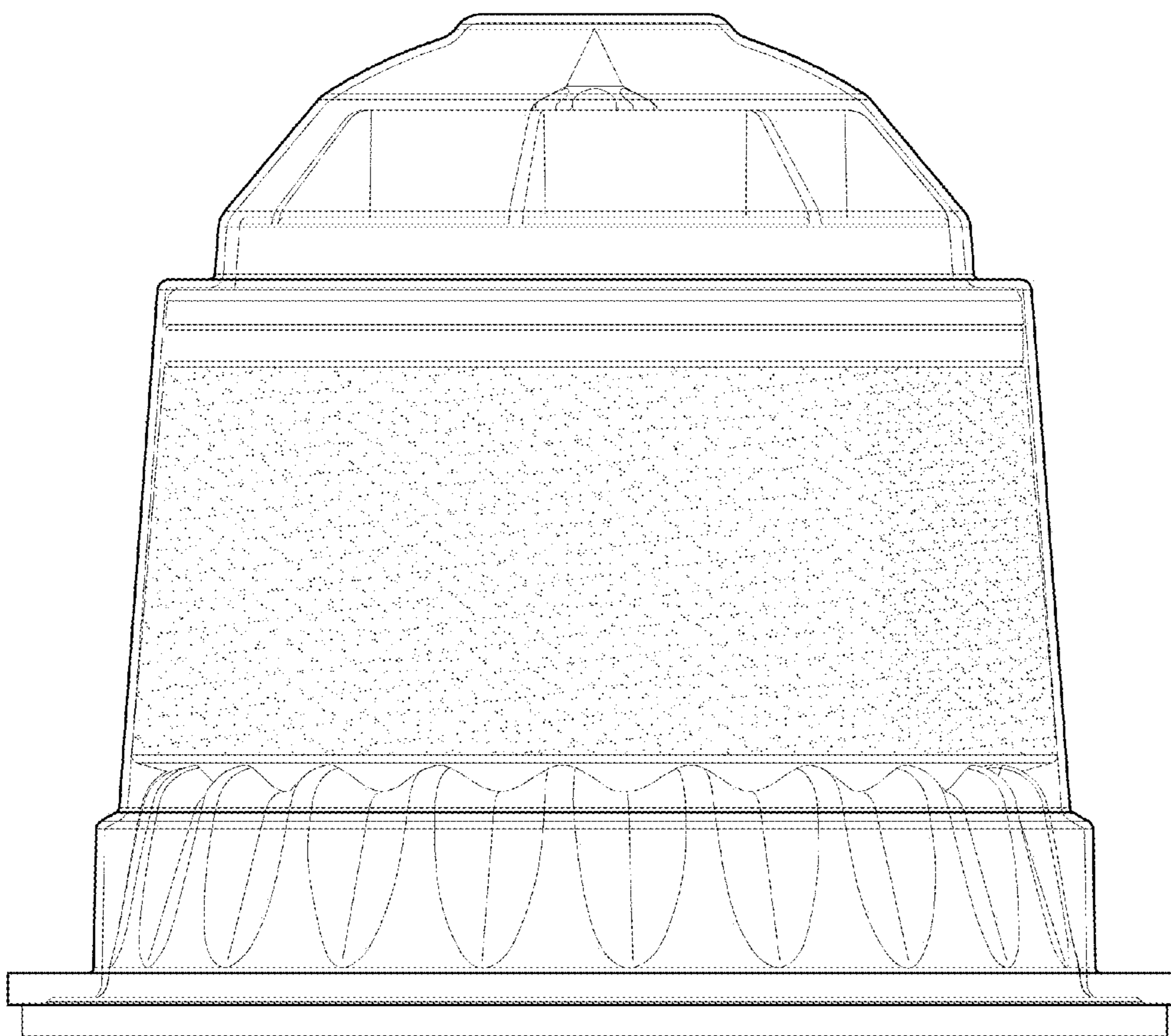


Fig. 4

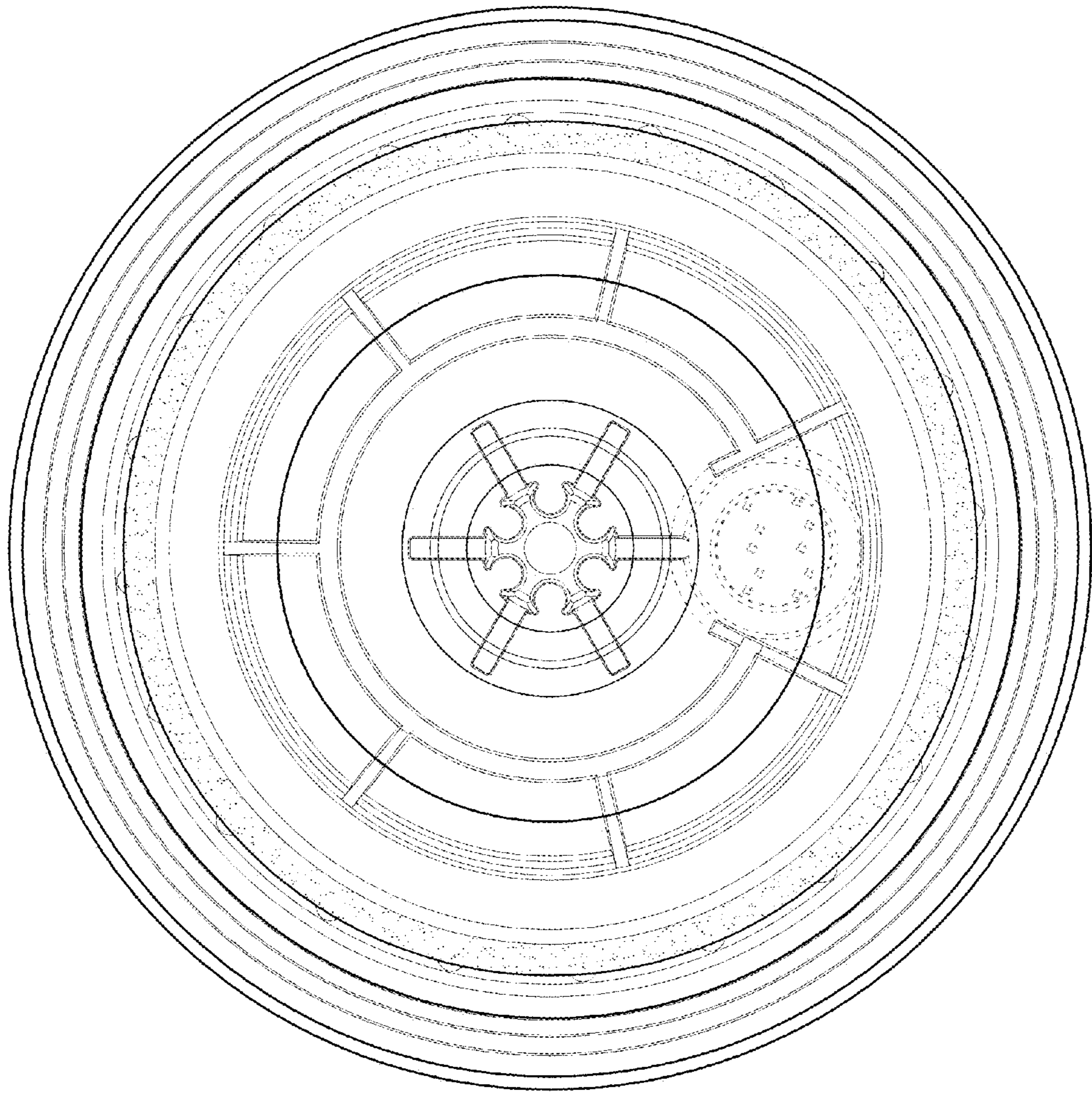


Fig. 5

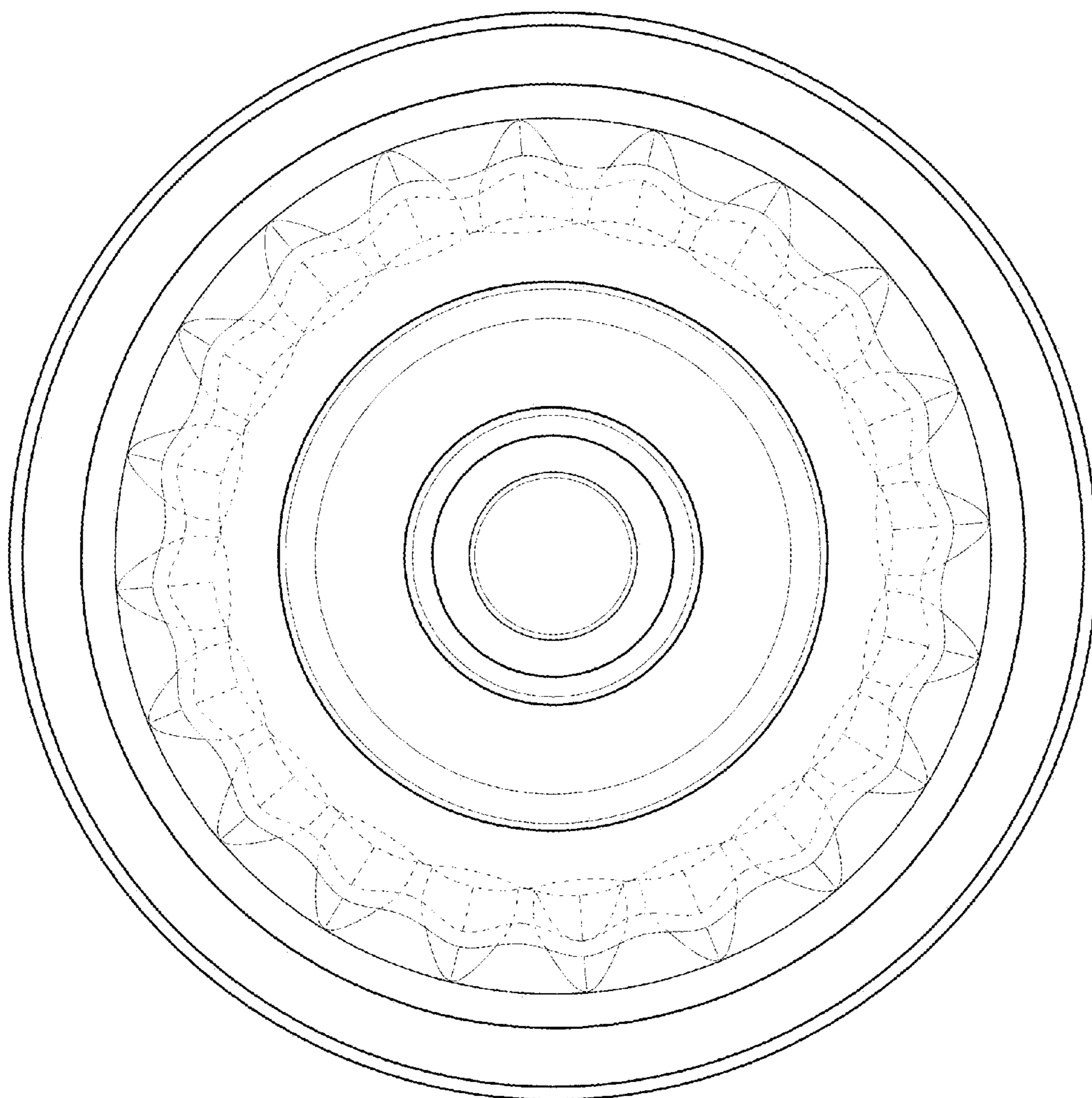


Fig. 6

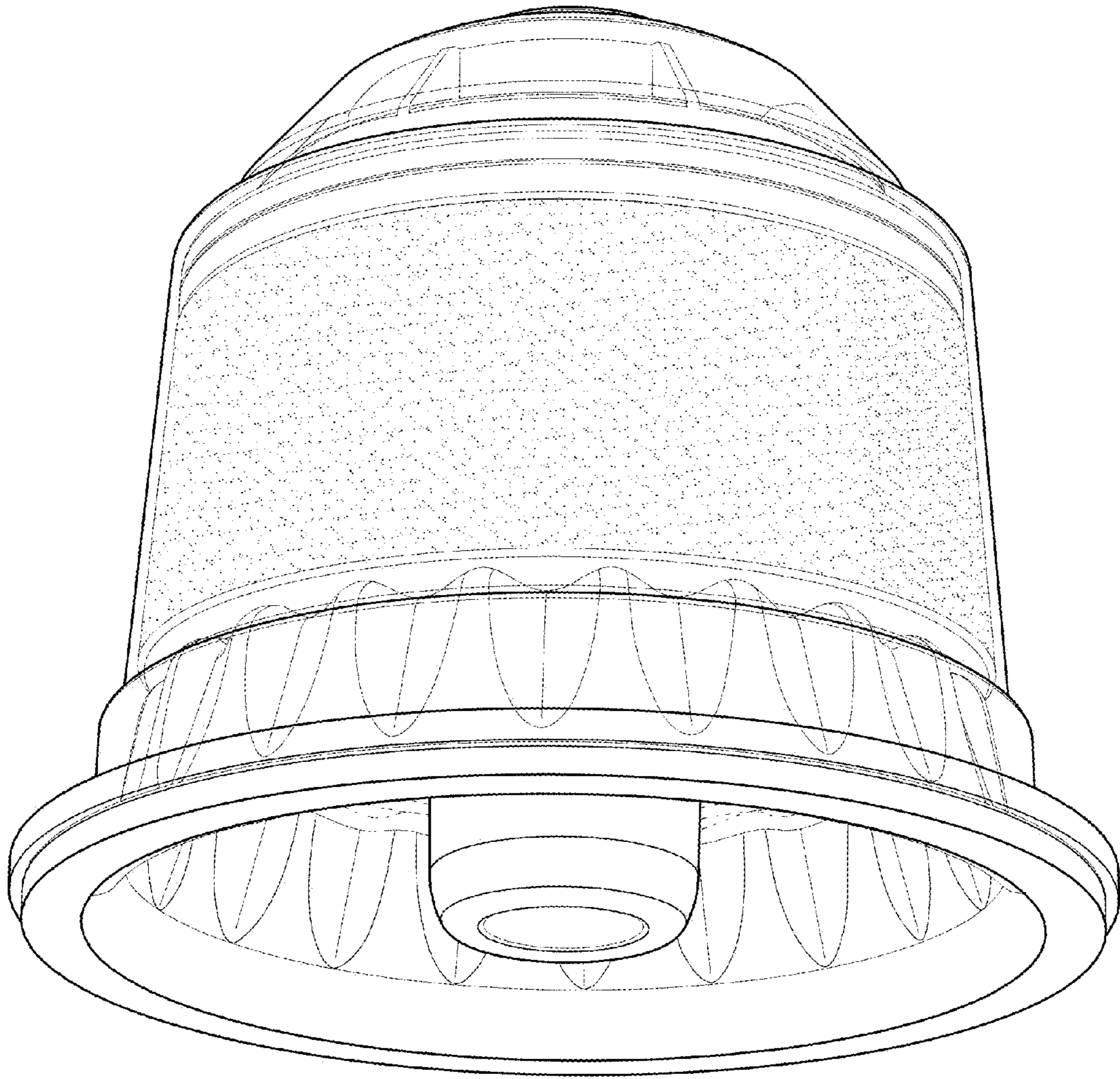


Fig. 7