



US00D727138S

(12) **United States Design Patent**
Cross

(10) **Patent No.:** **US D727,138 S**

(45) **Date of Patent:** **** Apr. 21, 2015**

(54) **PAIR OF END CAPS FOR HYDRAULIC CYLINDER**

(71) Applicant: **Christopher Cross**, Littleton, CO (US)

(72) Inventor: **Christopher Cross**, Littleton, CO (US)

(**) Term: **14 Years**

(21) Appl. No.: **29/450,317**

(22) Filed: **Mar. 15, 2013**

(51) **LOC (10) Cl.** **08-08**

(52) **U.S. Cl.**
USPC **D8/382**

(58) **Field of Classification Search**

CPC F16B 9/023; A61F 2/30744; F21K 9/175;
H02K 2203/06; B60J 10/041; F21V 23/06;
F21V 15/015
USPC D8/382, 349, 354, 399, 384, 386, 383,
D8/310, 394; D11/182, 181; D15/148;
D6/300, 309, 329, 310; D26/140;
D19/54, 57; D21/487; 220/614;
403/264, 256, 141, 142; 248/229.15,
248/229.25, 230.1, 466, 490; 112/226;
280/504; 600/234

See application file for complete search history.

(56) **References Cited**

U.S. PATENT DOCUMENTS

3,583,345 A * 6/1971 Wilson et al. 112/226
4,890,854 A * 1/1990 Hoover 280/504
D425,123 S * 5/2000 Creamer D19/54
D428,057 S * 7/2000 Creamer D19/57
D434,968 S * 12/2000 Fortier D8/354
7,553,279 B1 * 6/2009 Phillips et al. 600/234

7,758,502 B2 * 7/2010 Phillips et al. 600/234
D633,782 S * 3/2011 Tompkins D8/382
D706,877 S * 6/2014 Norman et al. D21/487

* cited by examiner

Primary Examiner — Sheryl Lane
Assistant Examiner — Nicole Shiflet

(57) **CLAIM**

I claim the ornamental design of a pair of hydraulic cylinder end caps, as shown and described.

DESCRIPTION

FIG. 1 is a front view of the hydraulic cylinder cap pair fitted to a hydraulic cylinder (broken lines) and connected to hardware (broken lines), the pair comprising an upper and lower cap (the back side view is omitted as it is a mirror image thereof);

FIG. 2 is a side view of the hydraulic cylinder cap pair fitted to a hydraulic cylinder (broken lines) and connected to hardware (broken lines), comprising an upper and lower cap (the opposite side view is omitted as it is a mirror image thereof);

FIG. 3 is a top view of the upper cap;

FIG. 4 is a top view of the lower cap;

FIG. 5 is a bottom view of the upper cap;

FIG. 6 is a bottom view of the lower cap;

FIG. 7 is a perspective view of the upper cap;

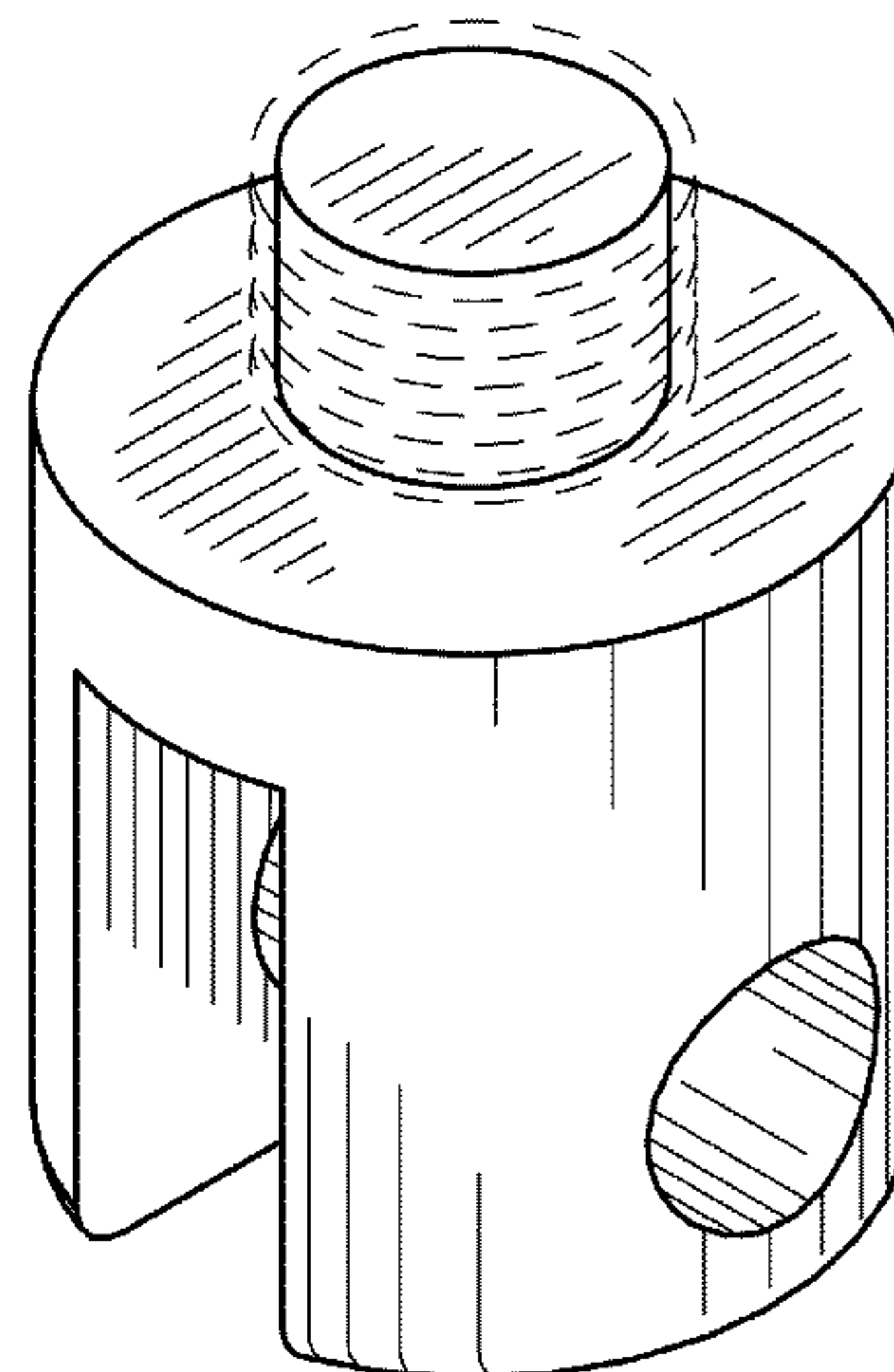
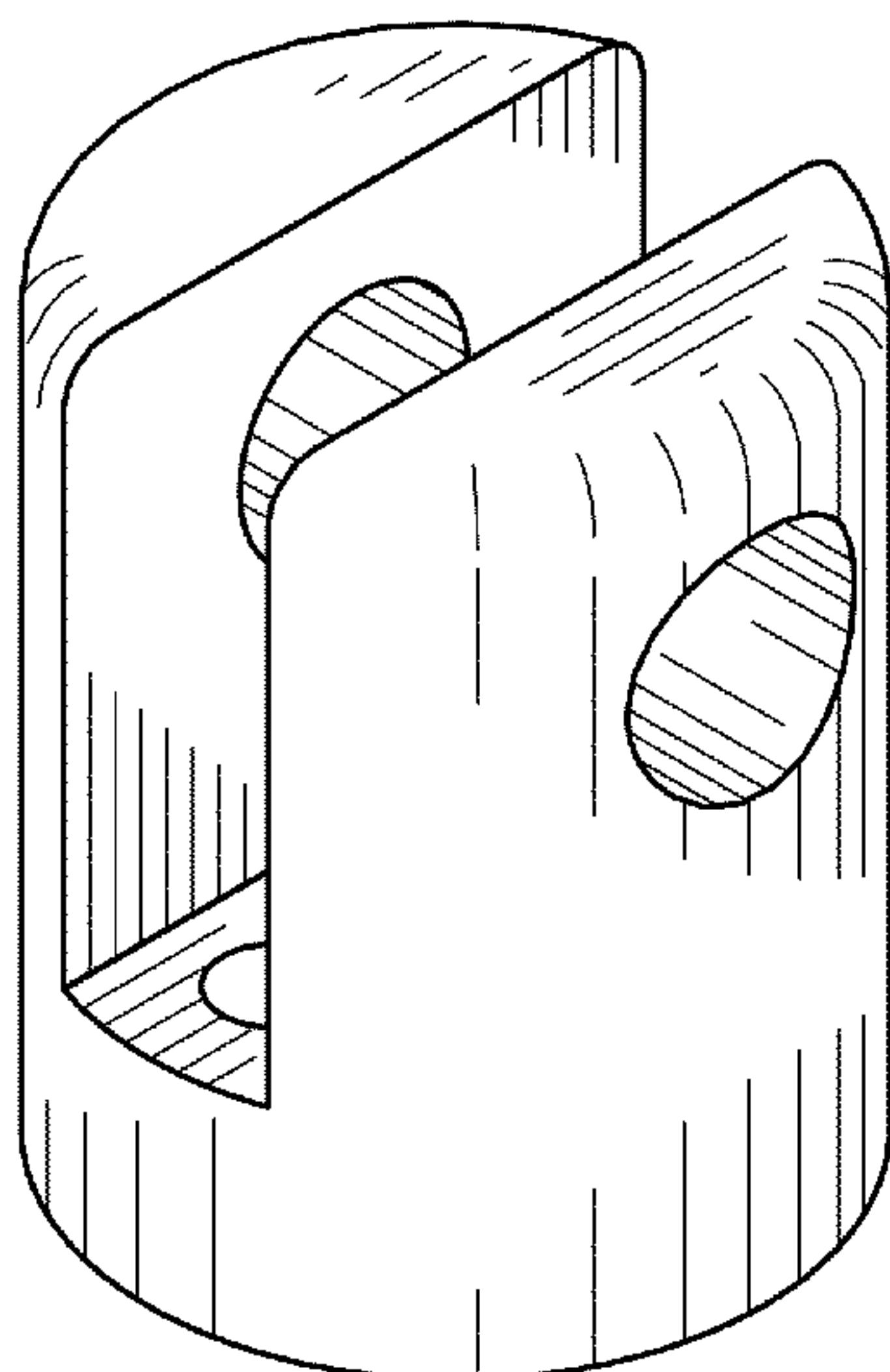
FIG. 8 is a perspective view of the lower cap;

FIG. 9 is a sectional view of the upper cap taken along line 9 in FIG. 3; and,

FIG. 10 is a sectional view of the lower cap taken along line 10 in FIG. 4.

The broken lines in the figures show the environmental structure of a hydraulic cylinder onto which the end caps are placed and hardware to which the caps connect and form no part of the claimed design.

1 Claim, 6 Drawing Sheets



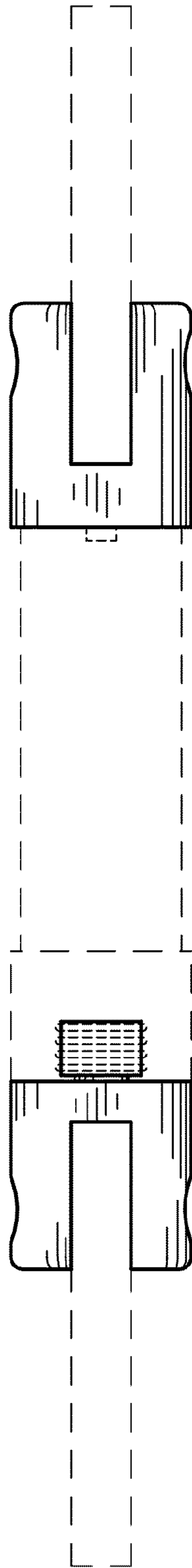


FIG. 1

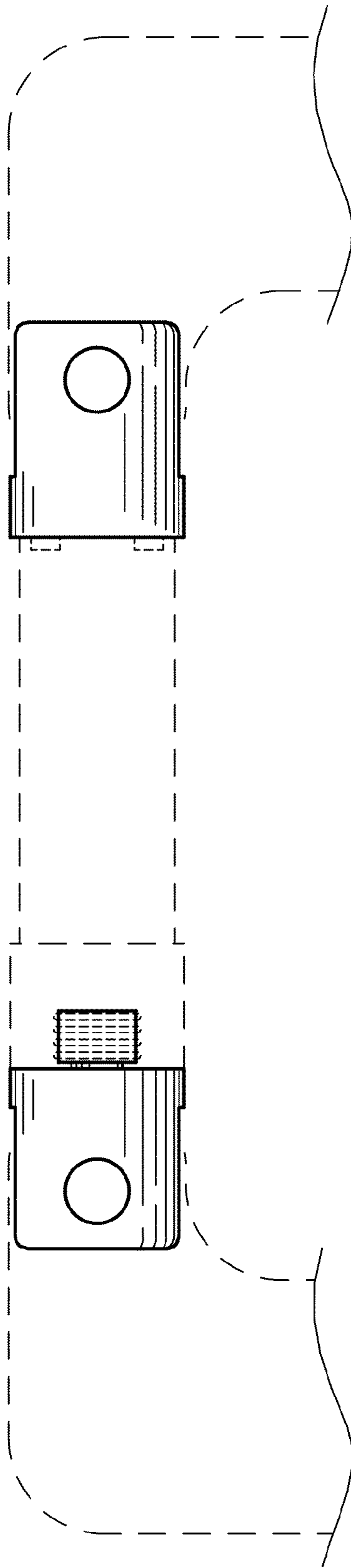


FIG. 2

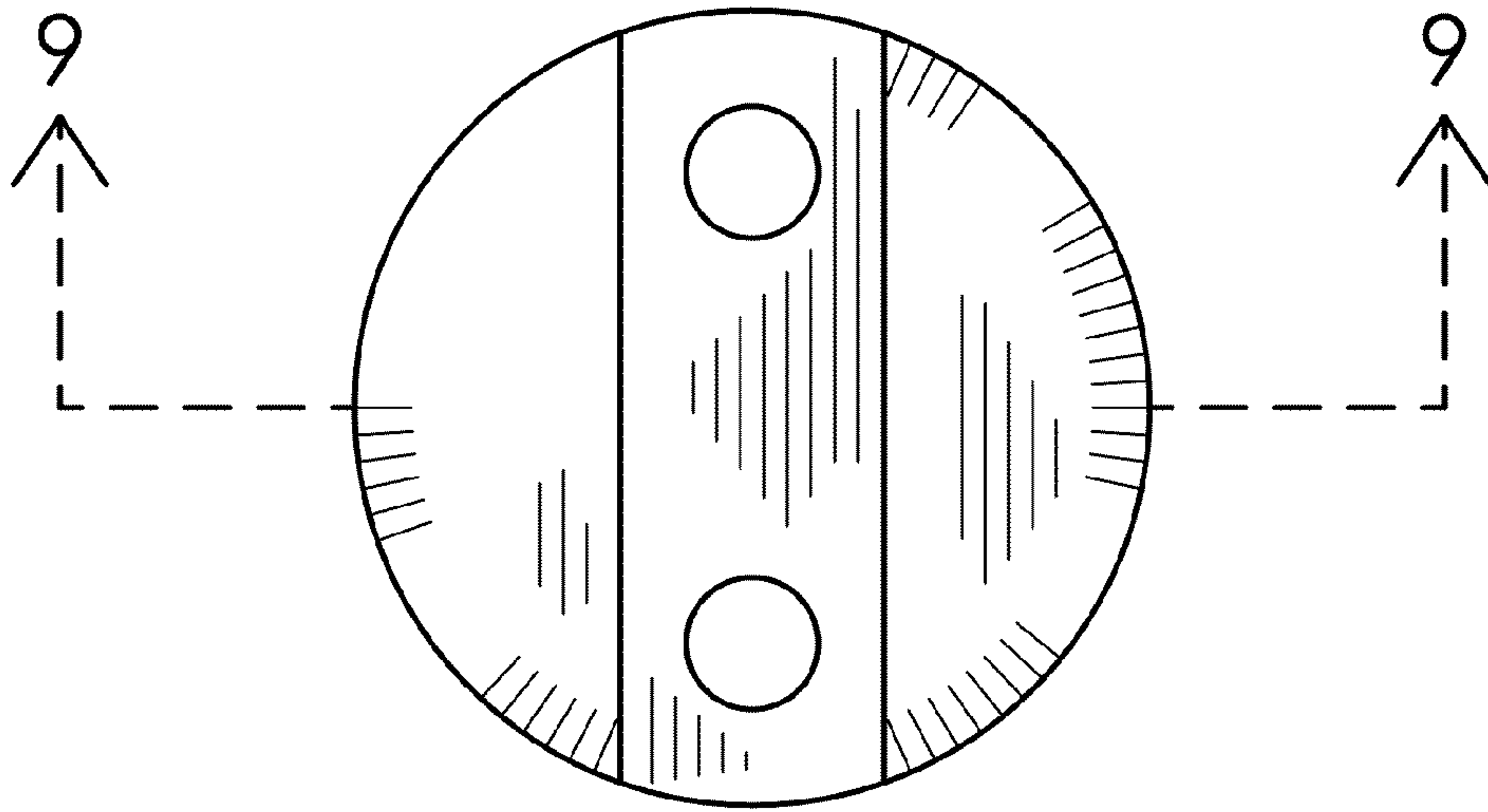


FIG. 3

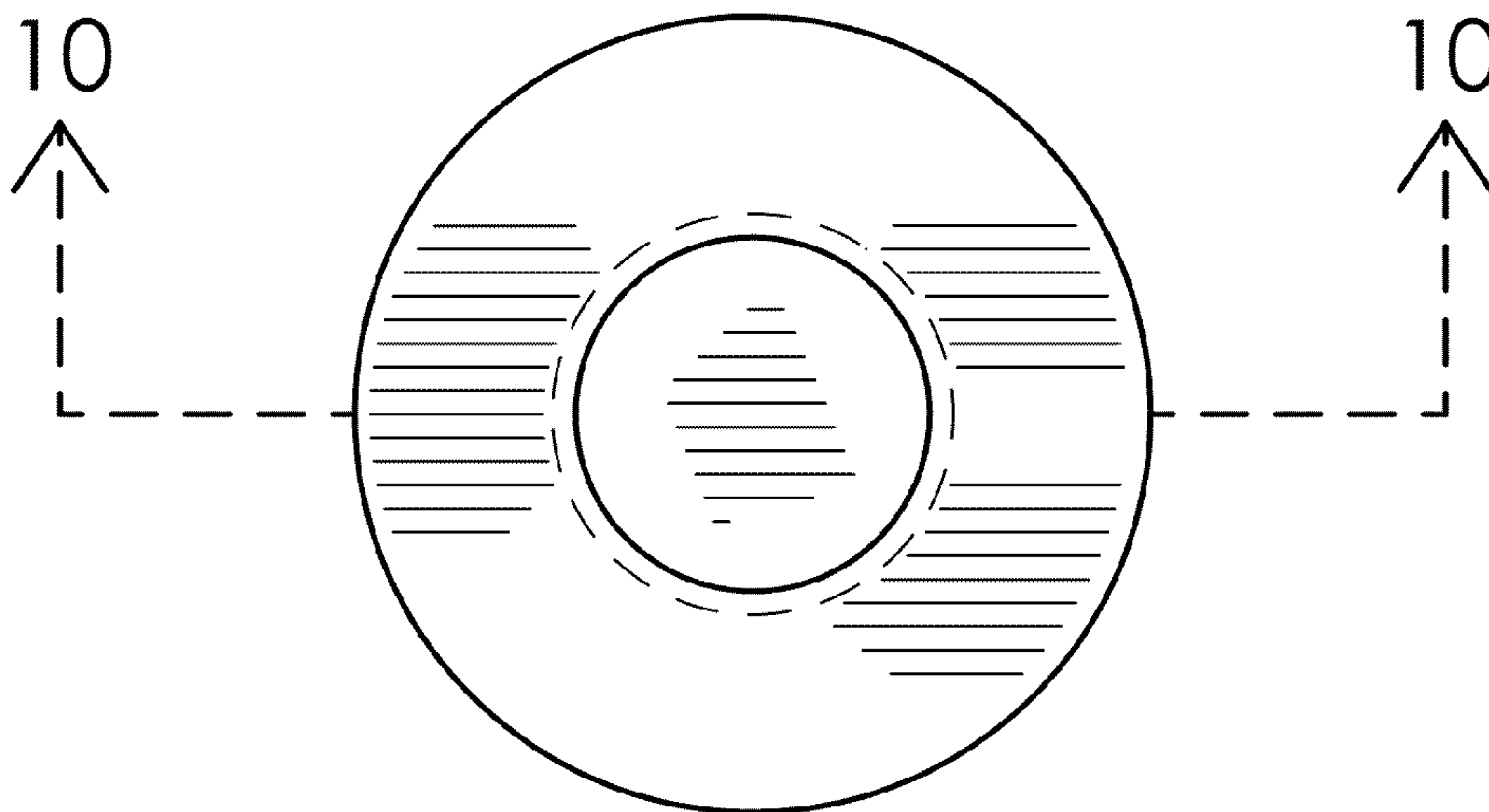


FIG. 4

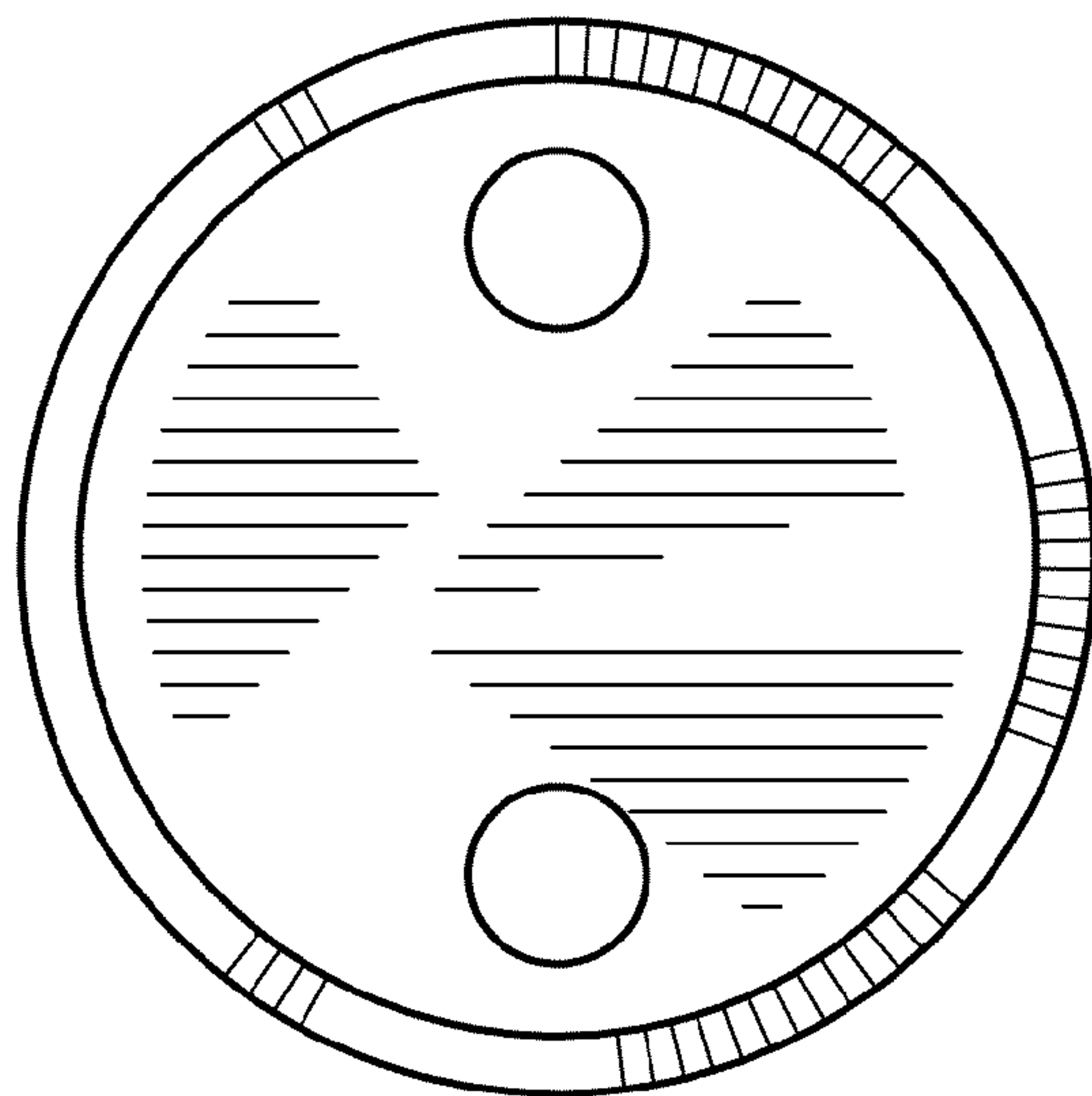


FIG. 5

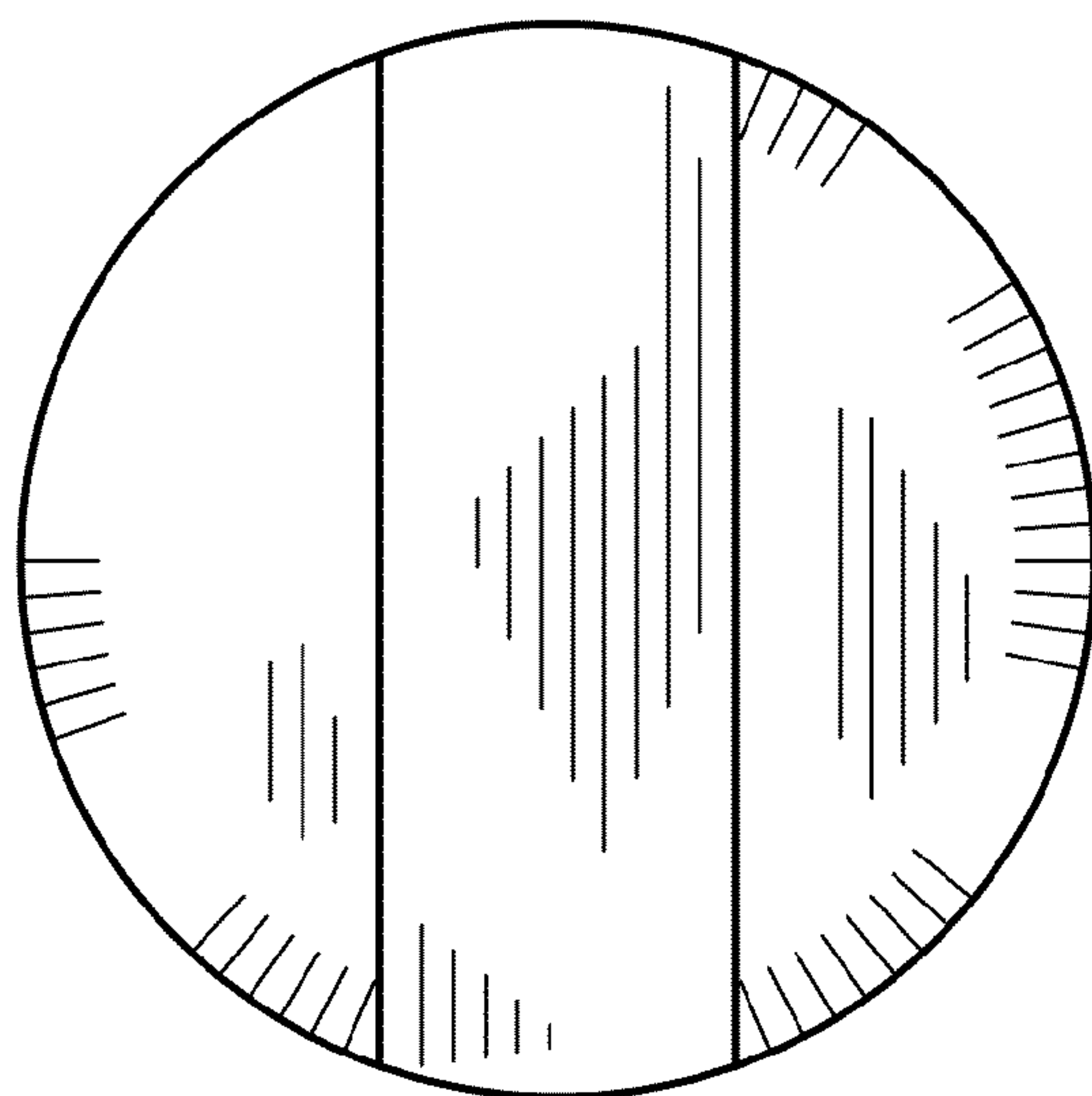


FIG. 6

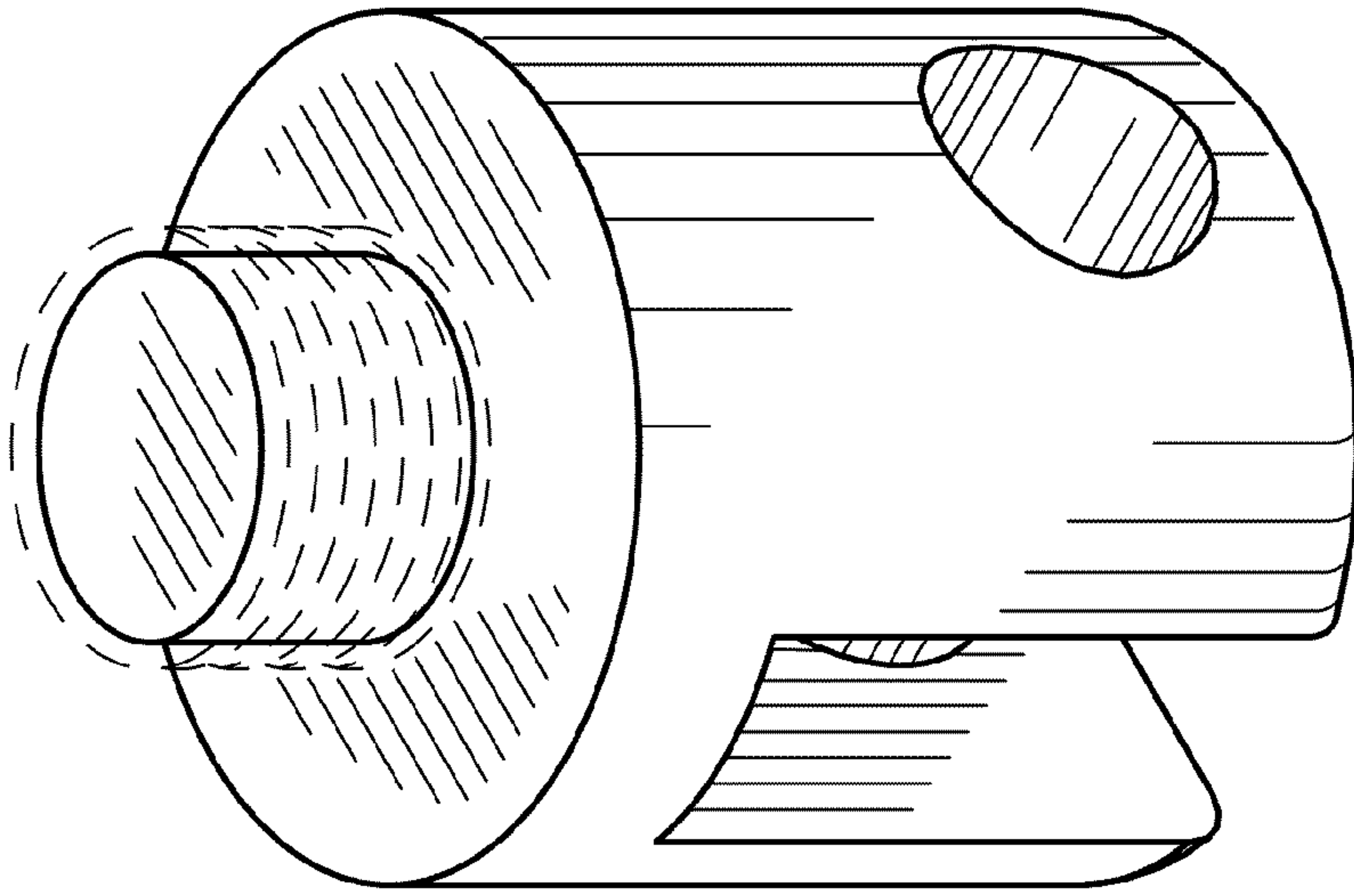


FIG. 8

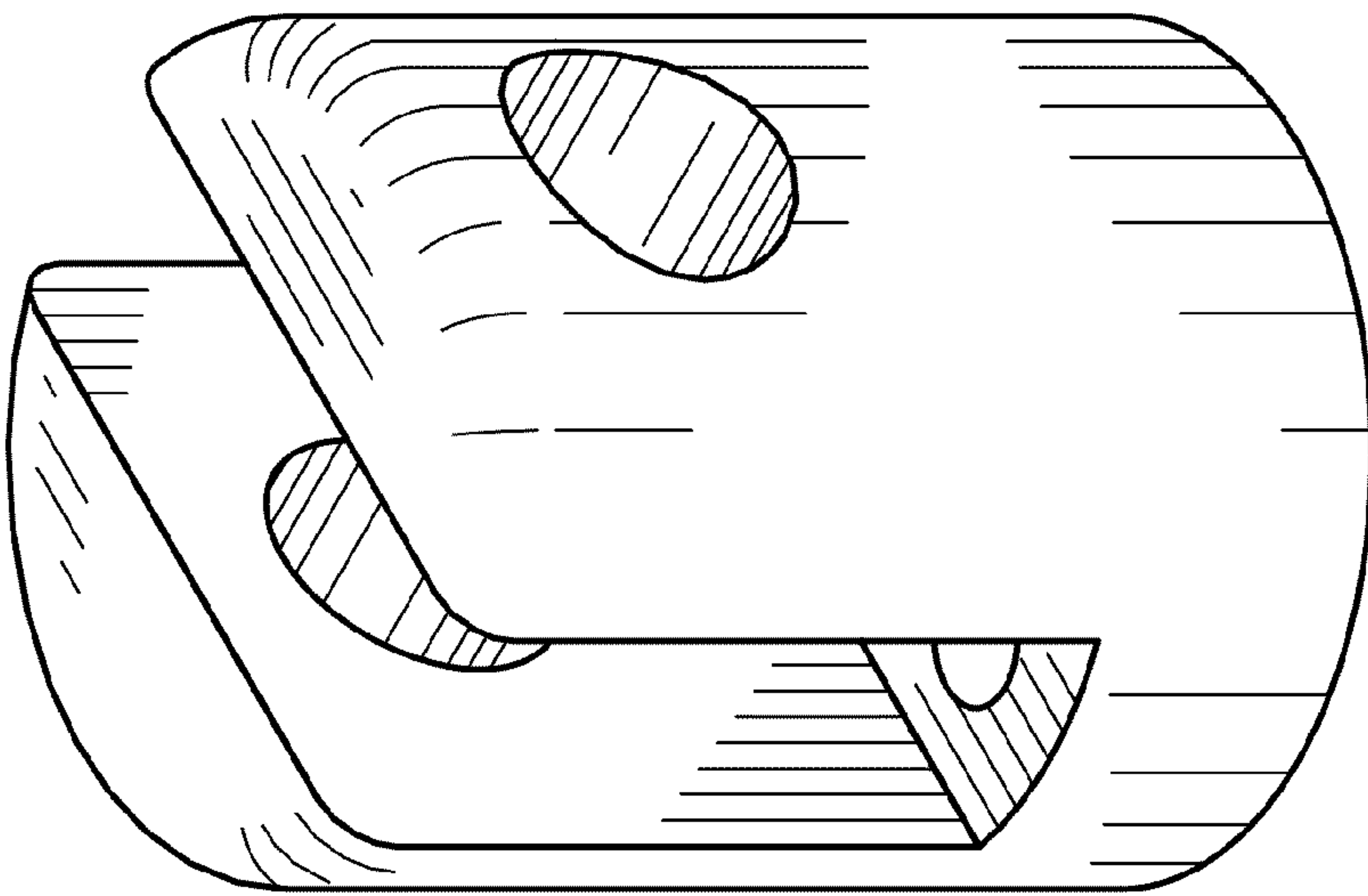


FIG. 7

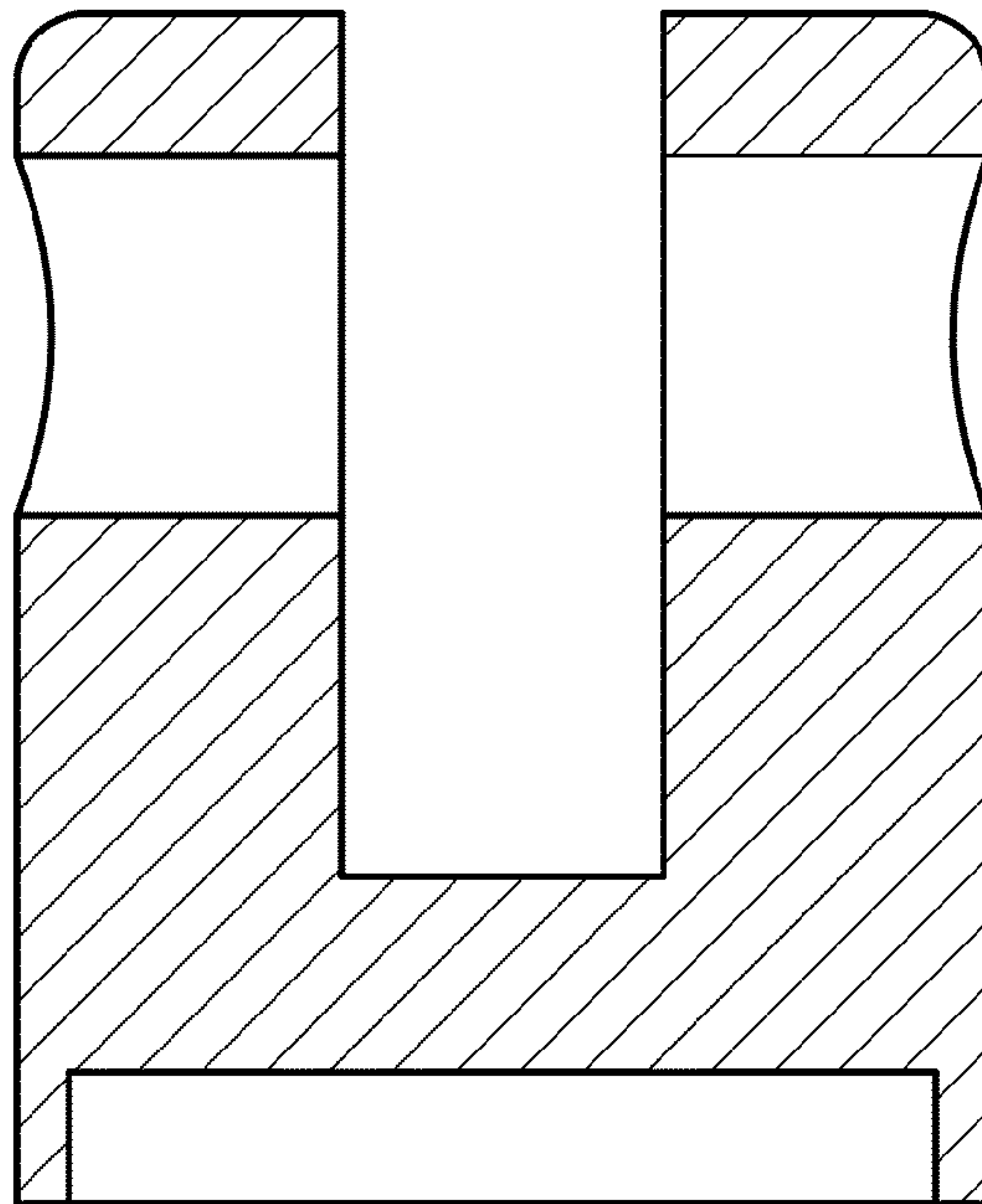


FIG. 9

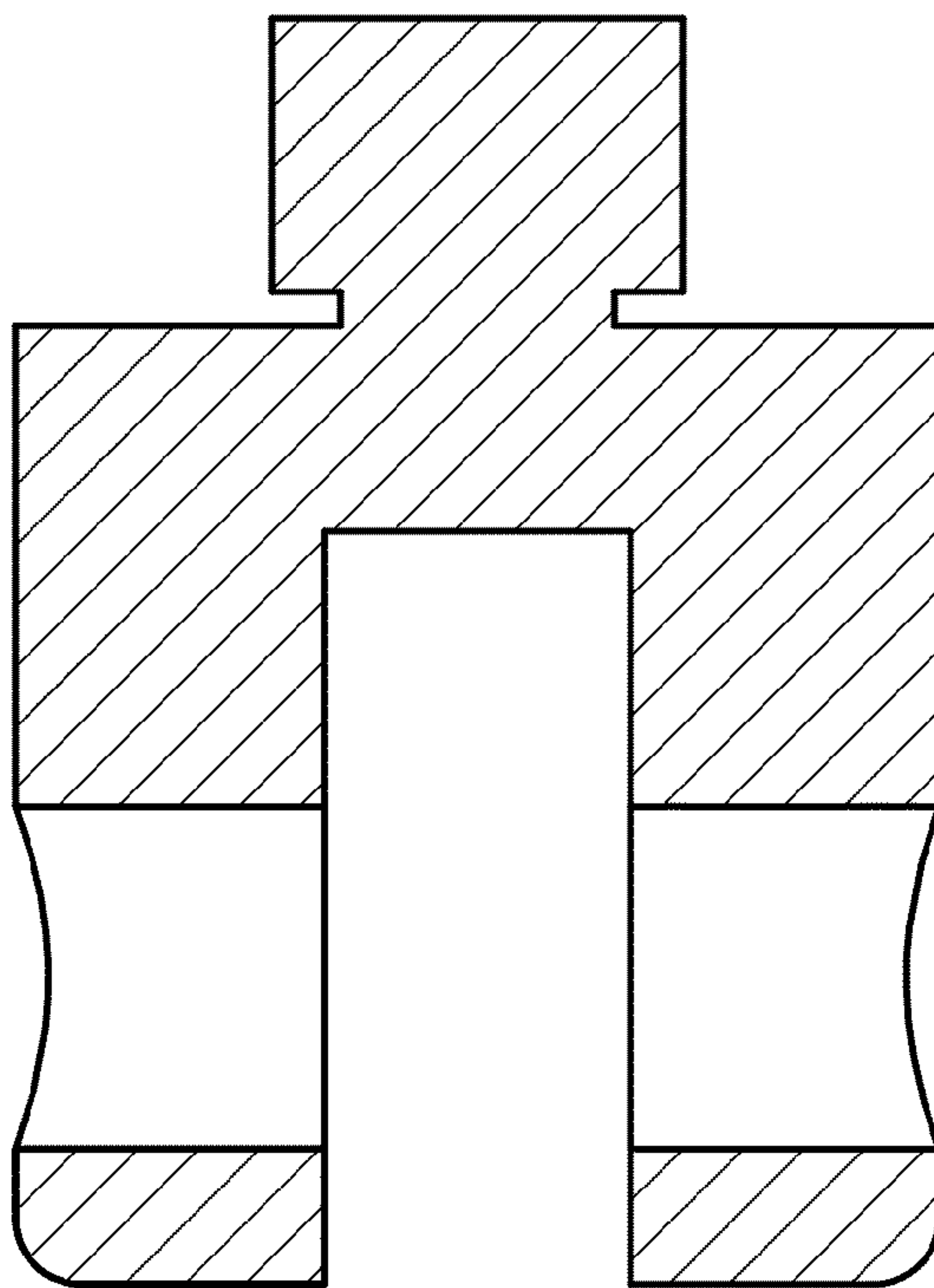


FIG. 10