



US00D727137S

(12) **United States Design Patent**
Yue

(10) **Patent No.:** **US D727,137 S**
(45) **Date of Patent:** **** Apr. 21, 2015**

(54) **WHEEL ASSEMBLY FOR A FOLDING MASSAGE BED**

(71) Applicant: **Zhang Yue**, Anji County (CN)

(72) Inventor: **Zhang Yue**, Anji County (CN)

(**) Term: **14 Years**

(21) Appl. No.: **29/499,626**

(22) Filed: **Aug. 18, 2014**

(51) **LOC (10) Cl.** **08-05**

(52) **U.S. Cl.**
USPC **D8/375**

(58) **Field of Classification Search**

CPC B60B 33/0002; B60B 33/0049; B60B 33/0042; B60B 33/0068; B60B 33/0057; B60B 33/0073; B60B 33/0028; B60B 33/0039; B60B 33/0021; B60B 33/00; B60B 33/0005; B60B 33/0018; B60B 33/0007; B60B 33/0023; B60B 33/021

USPC D24/183; D12/19; 16/31 R, 18 R, 29, 16/35 D, 35 R, 37, 45; D3/318; D34/27

See application file for complete search history.

(56) **References Cited**

U.S. PATENT DOCUMENTS

257,426 A * 5/1882 Witsil 280/11.226
2,267,403 A * 12/1941 Herold 16/45

(Continued)

FOREIGN PATENT DOCUMENTS

CN 201420024368.7 1/2014

Primary Examiner — Robert M Spear

Assistant Examiner — Eliza Bennett-Hattan

(74) *Attorney, Agent, or Firm* — Jennifer Meredith, Esq.;
Meredith & Keyhani, PLLC

(57) **CLAIM**

I claim the ornamental design for the wheel assembly for a folding massage bed, as shown and described.

DESCRIPTION

FIG. 1 is a top view of the wheel assembly for a folding massage bed with the rest of the wheel assembly removed for clarity of disclosure;

FIG. 2 is a bottom view of the wheel assembly for a folding massage bed with the rest of the wheel assembly removed for clarity of disclosure;

FIG. 3 is a left view of the wheel assembly for a folding massage bed with the rest of the wheel assembly removed for clarity of disclosure;

FIG. 4 is a front view of the wheel assembly for a folding massage bed with the rest of the wheel assembly removed for clarity of disclosure;

FIG. 5 is a side view of the wheel assembly for a folding massage bed with the central elements of the wheel assembly removed for clarity of disclosure;

FIG. 6 is a side view of the wheel assembly for a folding massage bed with the rest of the wheel assembly removed for clarity of disclosure;

FIG. 7 is a top view of the wheel assembly for a folding massage bed with the central elements of the wheel assembly removed for clarity of disclosure;

FIG. 8 is a bottom view of the wheel assembly for a folding massage bed with the central elements of the wheel assembly removed for clarity of disclosure;

FIG. 9 is a left view of the wheel assembly for a folding massage bed with the rest of the wheel assembly removed for clarity of disclosure;

FIG. 10 is a right view of the wheel assembly for a folding massage bed with the rest of the wheel assembly removed for clarity of disclosure;

FIG. 11 is a top view of the wheel assembly for a folding massage bed with the rest of the wheel assembly removed for clarity of disclosure;

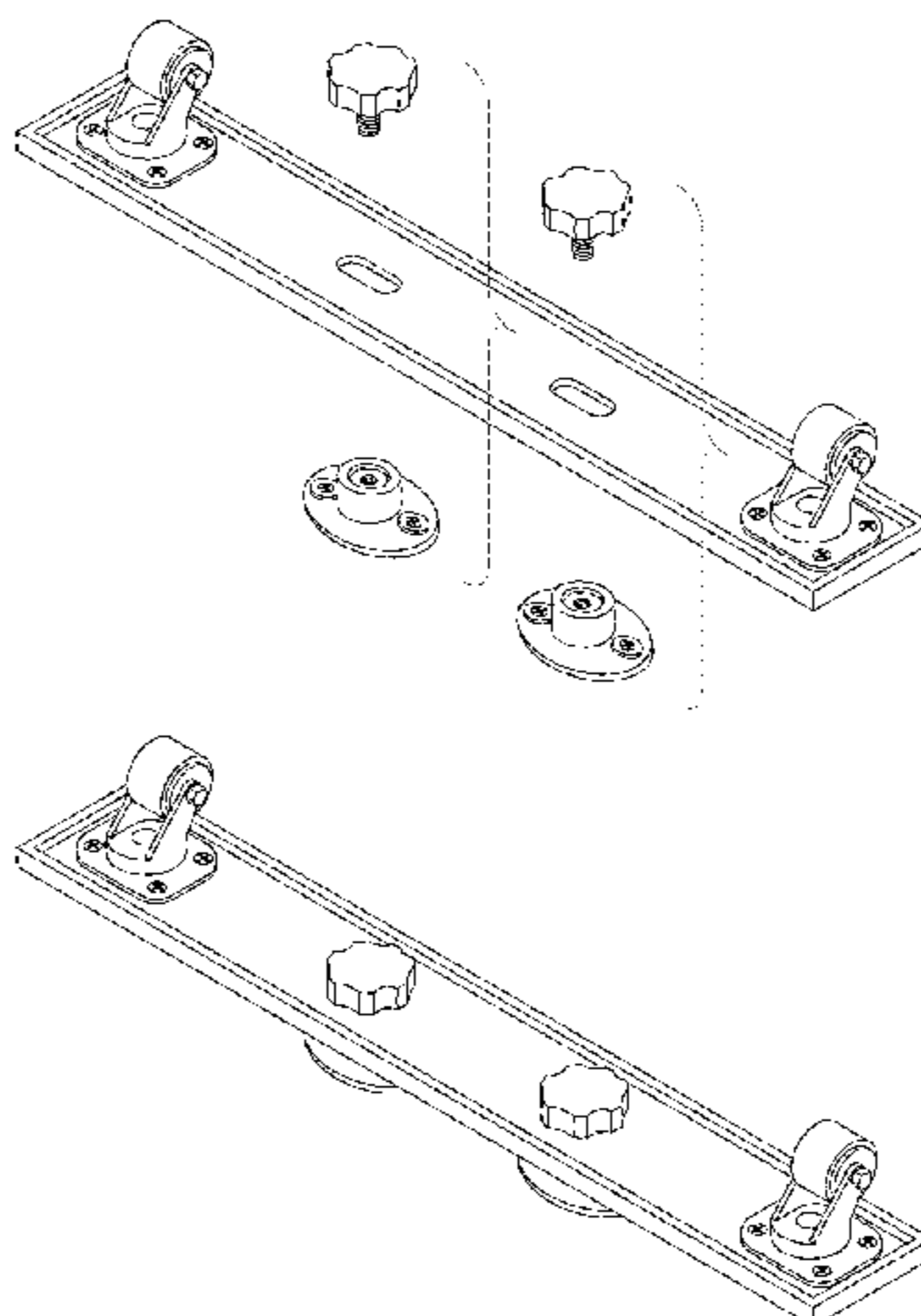
FIG. 12 is a bottom view of the wheel assembly for a folding massage bed with the rest of the wheel assembly removed for clarity of disclosure;

FIG. 13 is an exploded elevational view of the wheel assembly for a folding massage bed;

FIG. 14 is an elevational view of the wheel assembly for a folding massage bed; and,

FIG. 15 is an elevational view of the wheel assembly for a folding massage bed, with portions in dotted lines forming no part of the claimed design and depicting the wheels according to one attachment location for the purposes of demonstration.

1 Claim, 5 Drawing Sheets



US D727,137 S

Page 2

(56)

References Cited

U.S. PATENT DOCUMENTS

7,213,815 B2 *	5/2007	Whiteside	280/32.6
7,383,612 B2 *	6/2008	Bushey	16/29
8,640,832 B2 *	2/2014	Chen et al.	188/1.12
D277,818 S *	3/1985	Spitz	D6/510

* cited by examiner

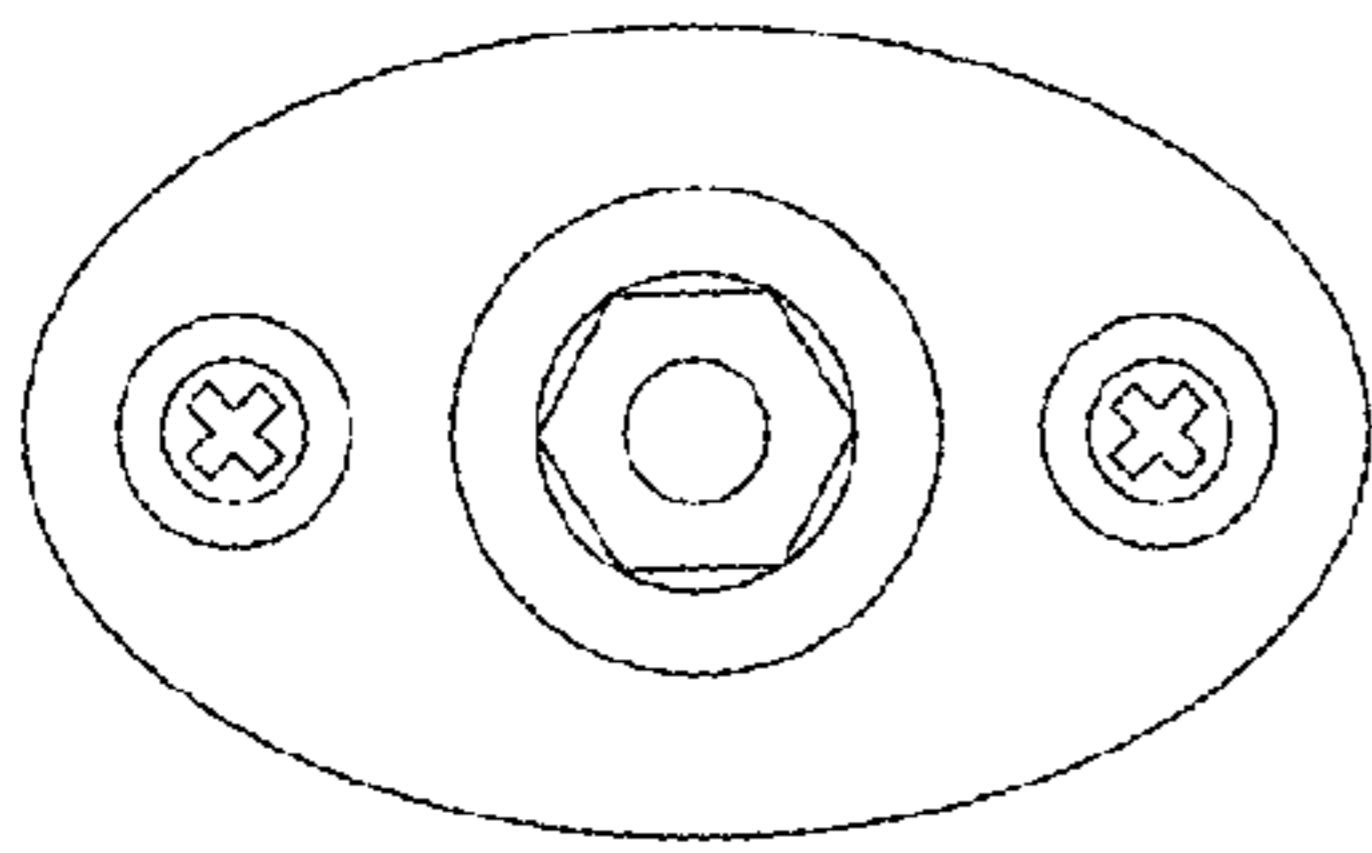


Fig. 1

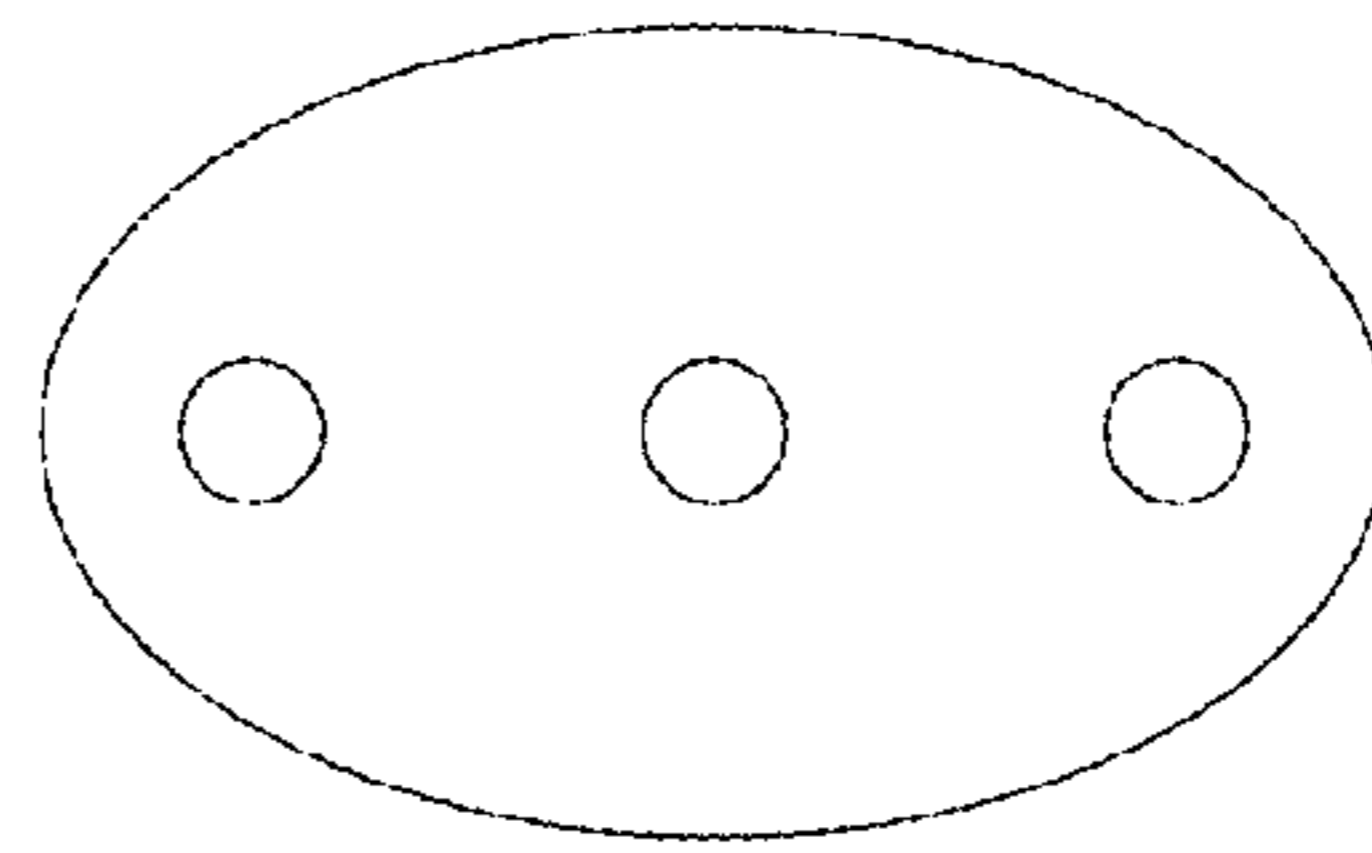


Fig. 2

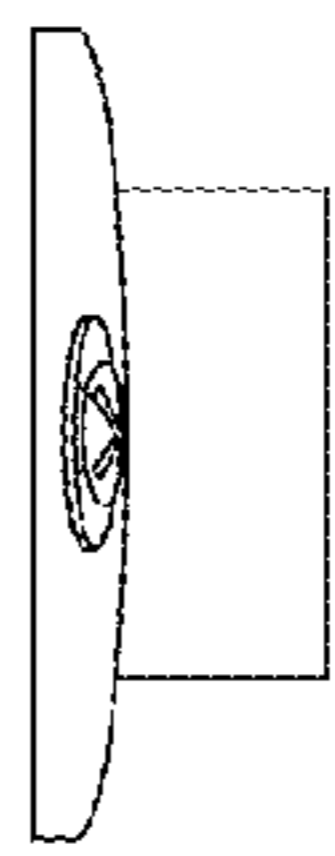


Fig. 3

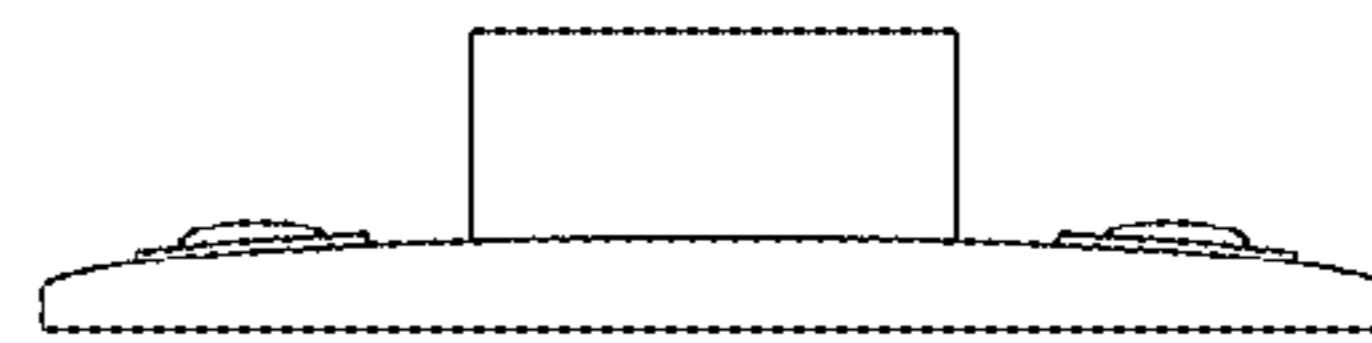


Fig. 4

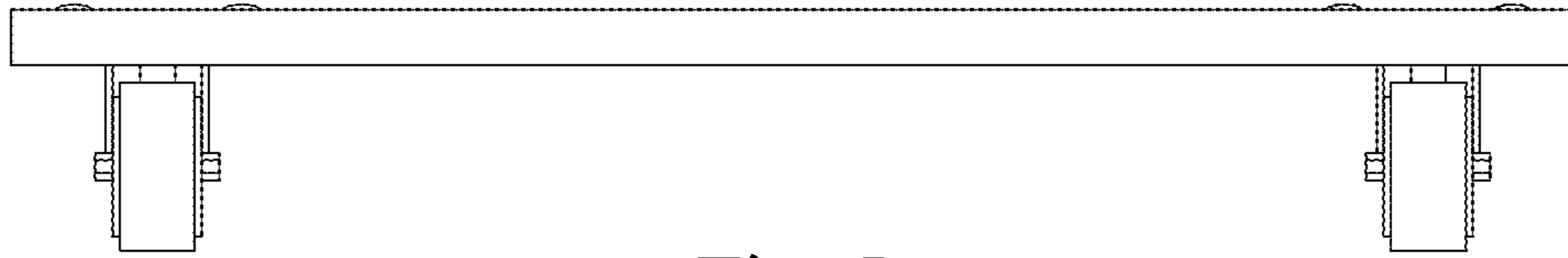


Fig. 5

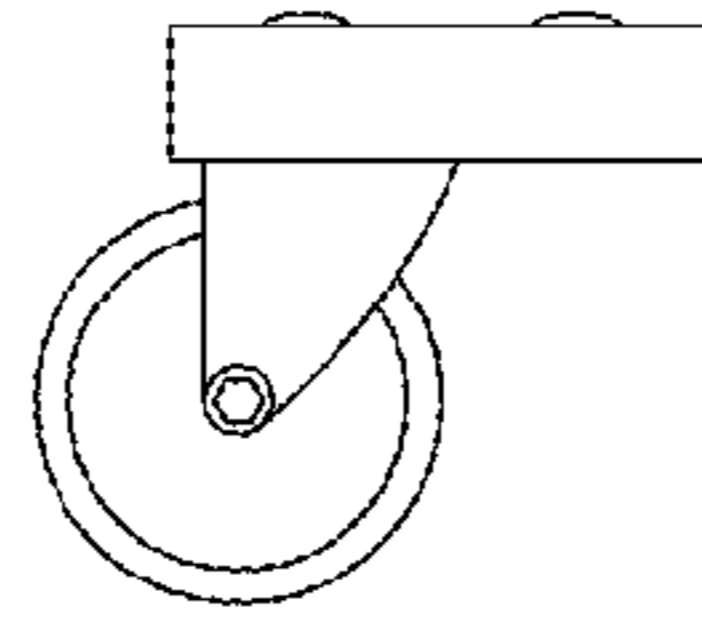


Fig. 6

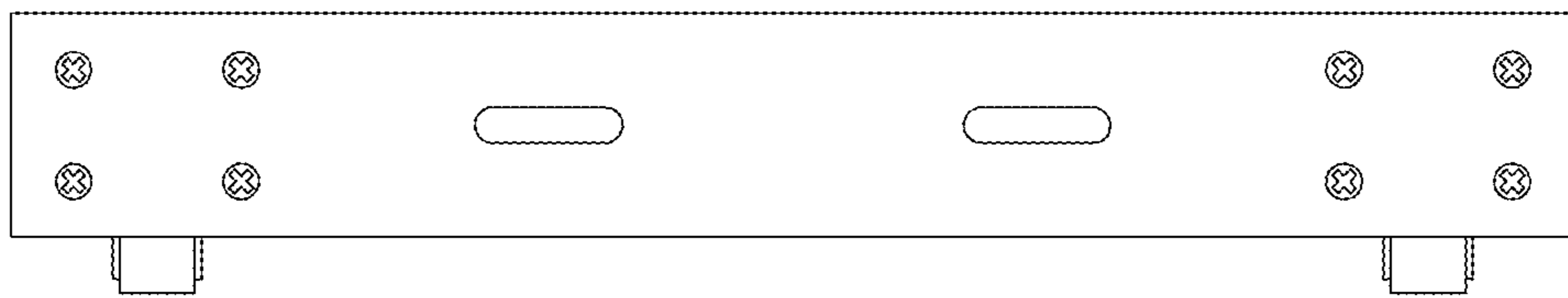


Fig. 7

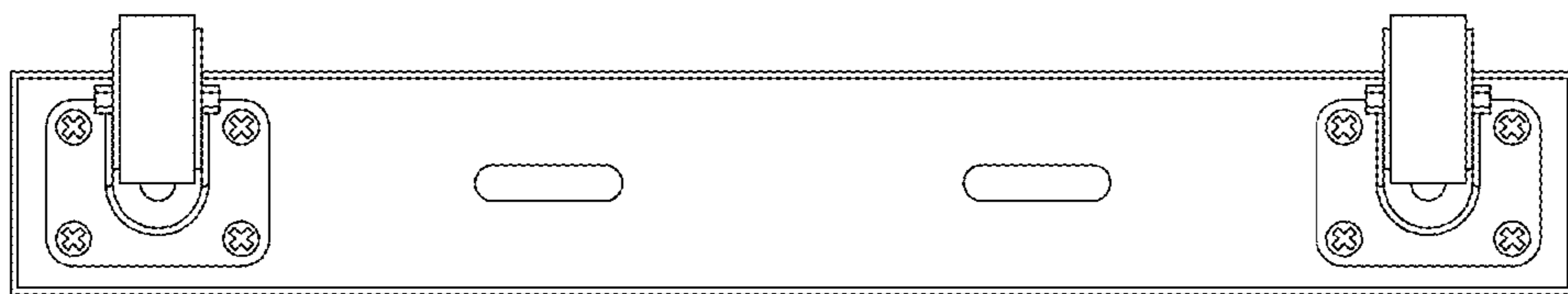


Fig. 8

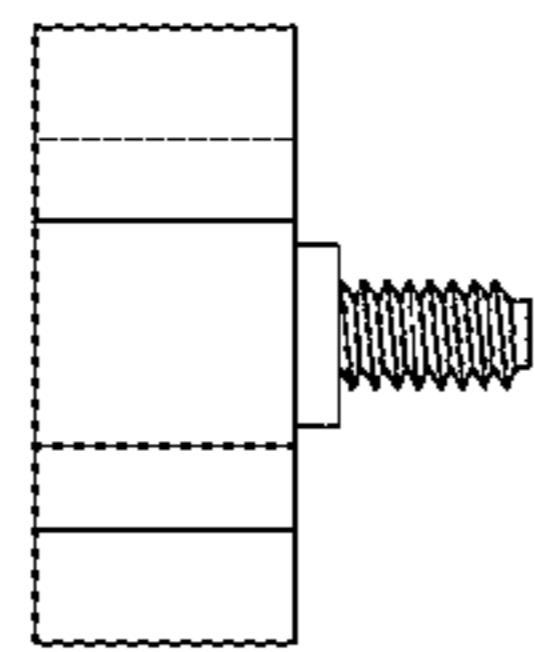


Fig. 9

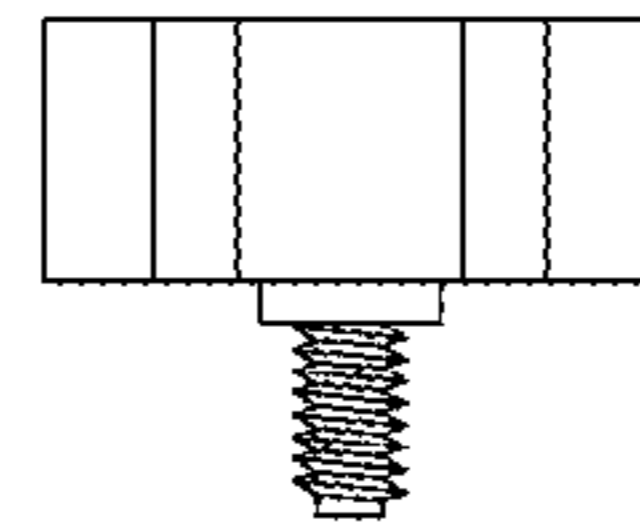


Fig. 10

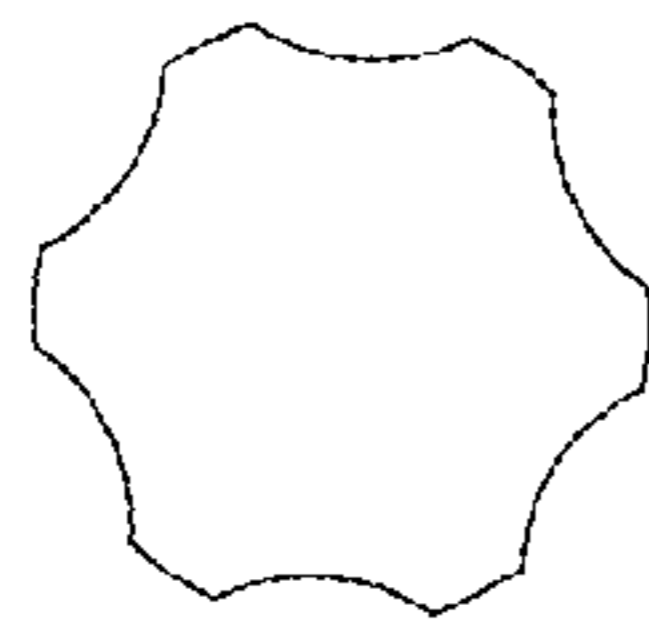


Fig. 11

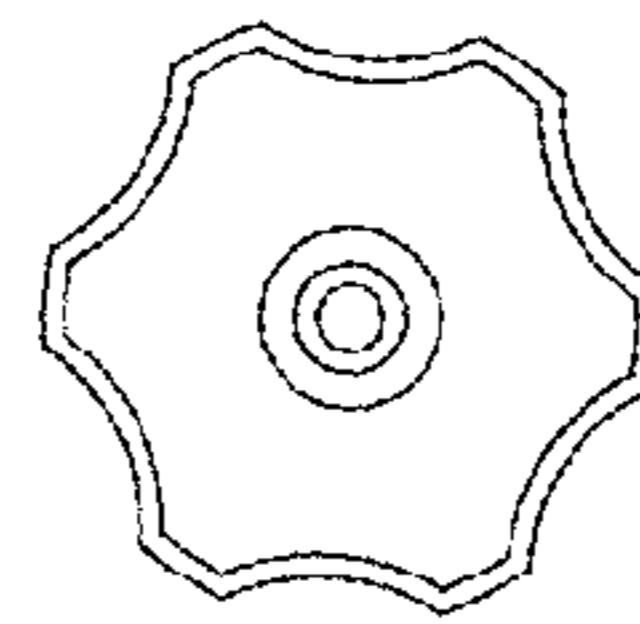


Fig. 12

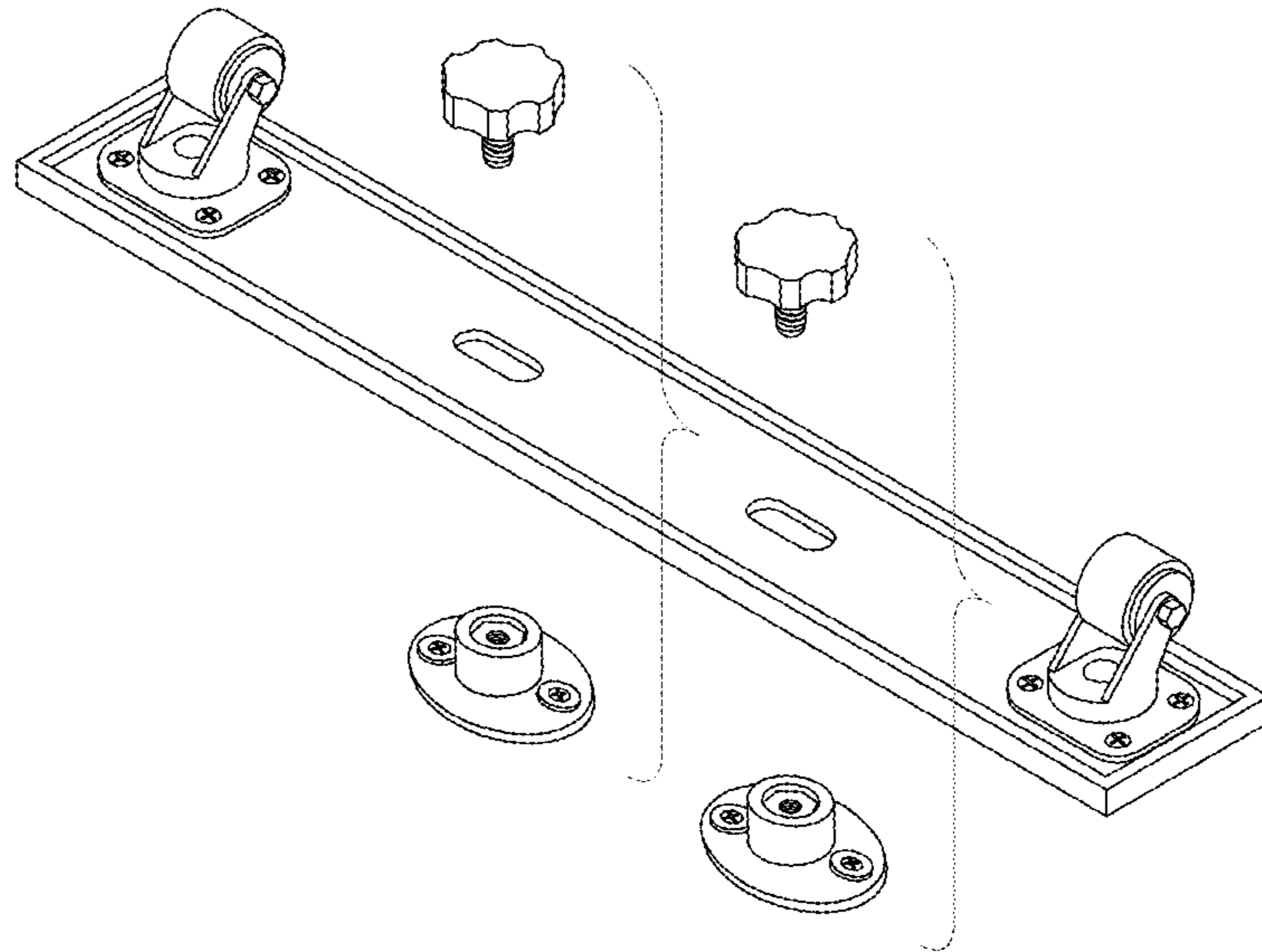


Fig. 13

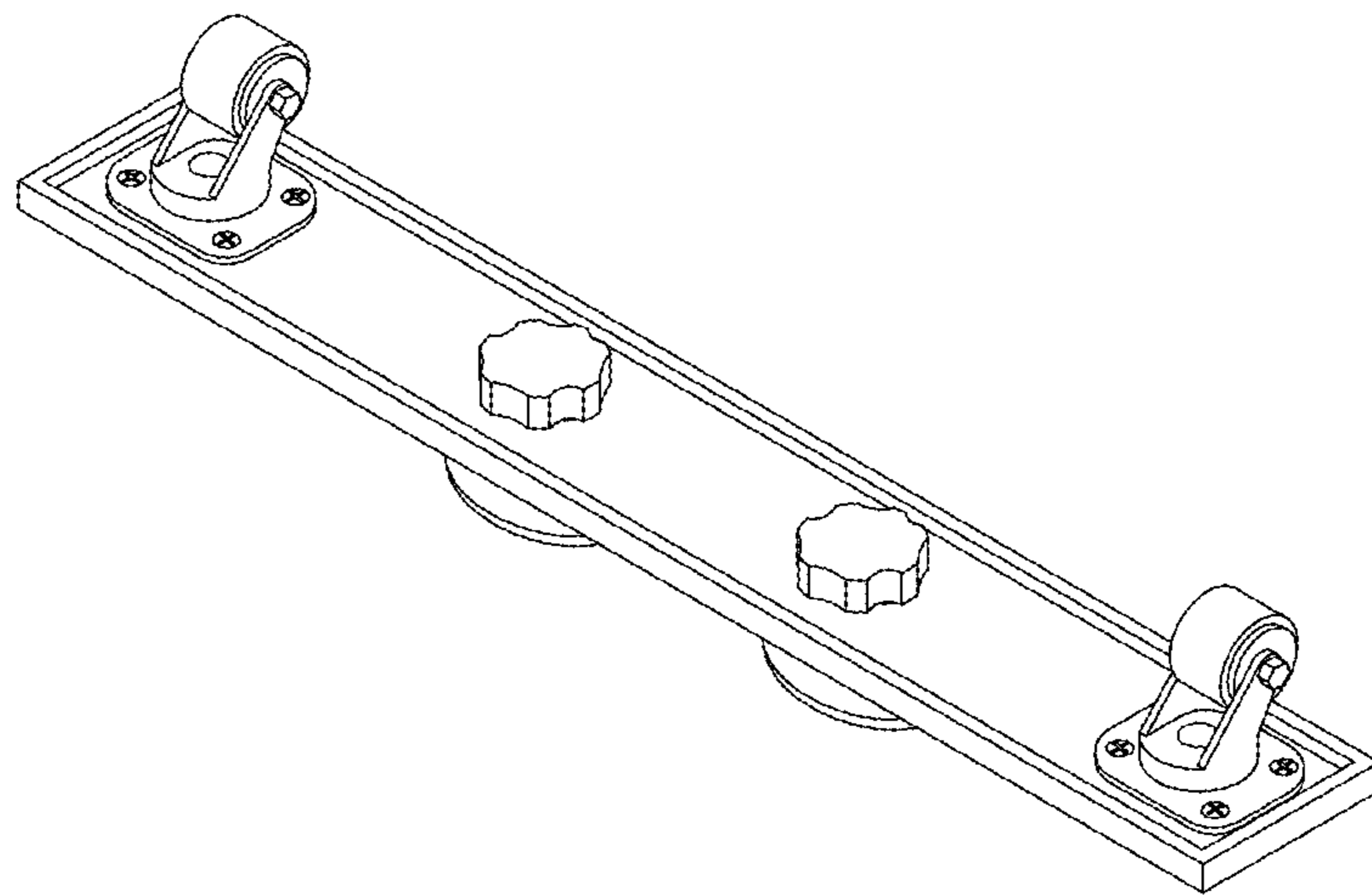


Fig. 14

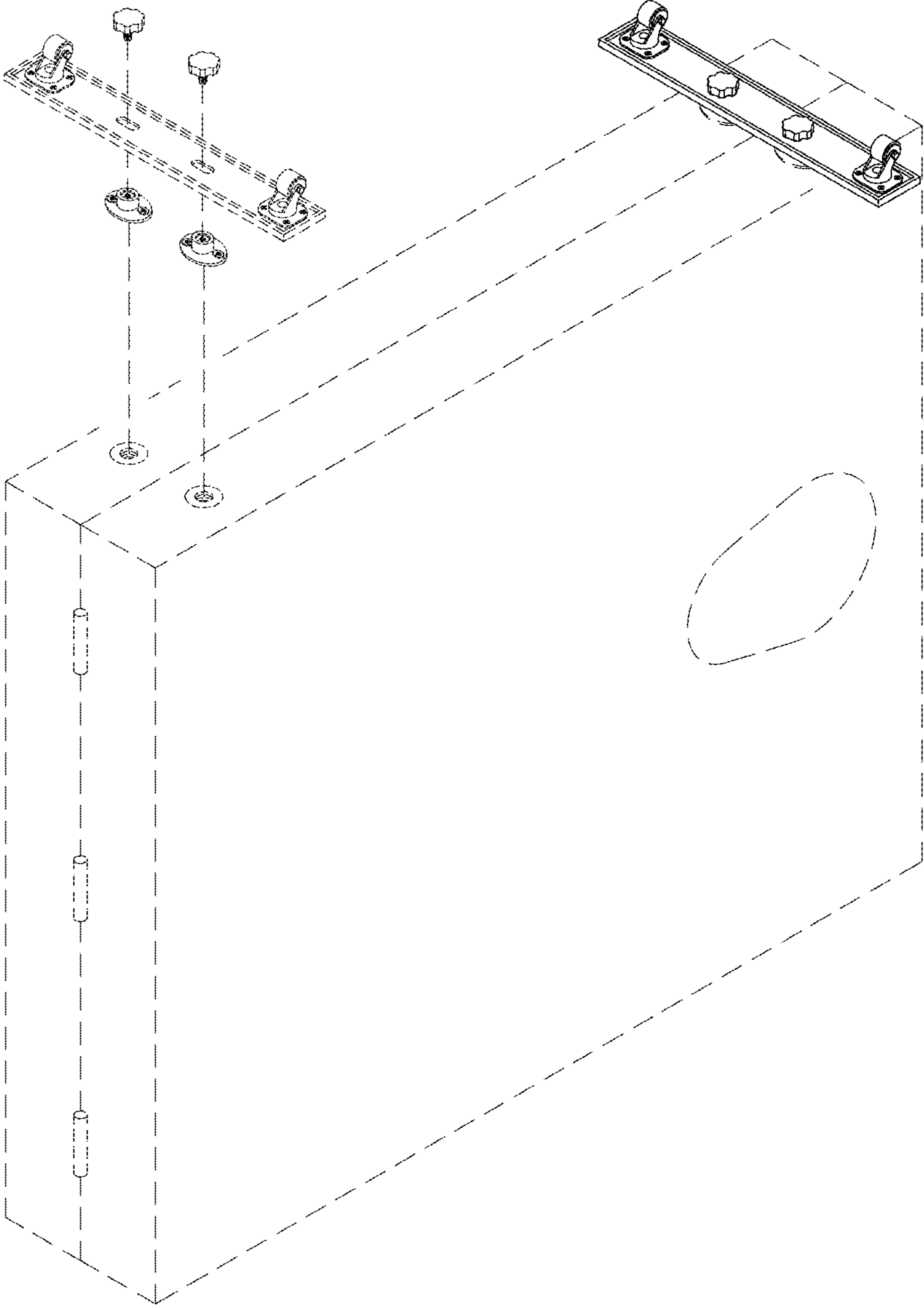


Fig. 15