



US00D727136S

(12) **United States Design Patent**
Yue

(10) **Patent No.:** **US D727,136 S**
(45) **Date of Patent:** **** Apr. 21, 2015**

(54) **WHEEL FOR A FOLDING MASSAGE BED**

(71) Applicant: **Zhang Yue**, Anji County (CN)

(72) Inventor: **Zhang Yue**, Anji County (CN)

(**) Term: **14 Years**

(21) Appl. No.: **29/499,625**

(22) Filed: **Aug. 18, 2014**

(51) **LOC (10) Cl.** **08-05**

(52) **U.S. Cl.**
USPC **D8/375**

(58) **Field of Classification Search**

CPC B60B 33/0002; B60B 33/0049; B60B
33/0042; B60B 33/0068; B60B 33/0057;
B60B 33/0073; B60B 33/0028; B60B
33/0039; B60B 33/0021; B60B 33/00; B60B
33/0005; B60B 33/0018; B60B 33/0007;
B60B 33/0023; B60B 33/021

USPC D24/183; D12/19; 16/31 R, 18 R, 29,
16/35 D, 35 R, 37, 45; D3/318; D34/27

See application file for complete search history.

(56) **References Cited**

U.S. PATENT DOCUMENTS

257,426 A * 5/1882 Witsil 280/11.226
2,267,403 A * 12/1941 Herold 16/45

(Continued)

FOREIGN PATENT DOCUMENTS

CN 201420024368.7 1/2014

Primary Examiner — Robert M Spear

Assistant Examiner — Eliza Bennett-Hattan

(74) *Attorney, Agent, or Firm* — Jennifer Meredith, Esq.;
Meredith & Keyhani, PLLC

(57) **CLAIM**

I claim the ornamental design for the wheel for a folding massage bed, as shown and described.

DESCRIPTION

FIG. 1 is a top view of the wheel for a folding massage bed with the rest of the claim removed for clarity of disclosure; FIG. 2 is a bottom view of the wheel for a folding massage bed with the rest of the claim removed for clarity of disclosure; FIG. 3 is a left view of the wheel for a folding massage bed with the rest of the claim removed for clarity of disclosure; FIG. 4 is a right view of the wheel for a folding massage bed with the rest of the claim removed for clarity of disclosure; FIG. 5 is a front view of the in an alternate position of the wheel for a folding massage bed with the rest of the claim removed for clarity of disclosure;

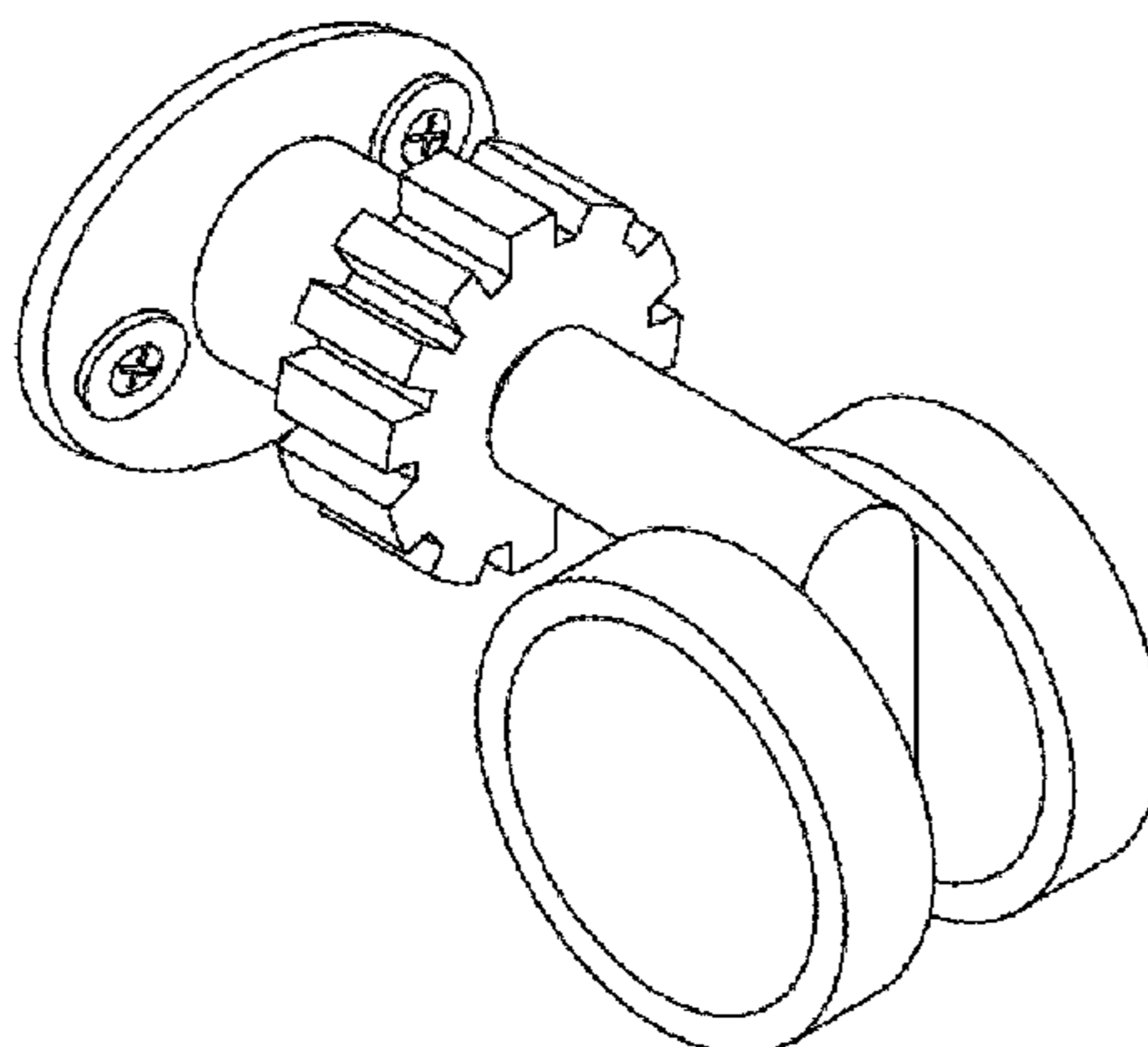
FIG. 6 is a front view of the wheel for a folding massage bed with the rest of the claim removed for clarity of disclosure; FIG. 7 is an top view of the wheel for a folding massage bed with the bracket elements removed for clarity of disclosure; FIG. 8 is a bottom view of the wheel for a folding massage bed with the bracket elements removed for clarity of disclosure; FIG. 9 is a left view of the wheel for a folding massage bed with the bracket elements removed for clarity of disclosure; FIG. 10 is a right view of the wheel for a folding massage bed with the bracket elements removed for clarity of disclosure; FIG. 11 is a front view of the wheel for a folding massage bed with the bracket elements removed for clarity of disclosure; FIG. 12 is a rear view of the wheel for a folding massage bed with the rest of the claim removed for clarity of disclosure; FIG. 13 is an elevational view of the wheel for a folding massage bed;

FIG. 14 is an exploded elevational view of the wheel for a folding massage bed;

FIG. 15 is an elevational view of the wheel for a folding massage bed, with portions in dotted lines forming no part of the claimed design and depicting the wheels according to one attachment location for the purposes of demonstration; and, FIG. 16 is a cutaway view of the wheel for a folding massage bed, with portions in dotted lines forming no part of the claimed design and depicting the wheels according to one attachment location for the purposes of demonstration.

The broken lines in the drawing depict environmental subject matter only and form no part of the claimed design.

1 Claim, 5 Drawing Sheets



US D727,136 S

Page 2

(56)

References Cited

U.S. PATENT DOCUMENTS

	7,213,815 B2 *	5/2007	Whiteside	280/32.6
	7,383,612 B2 *	6/2008	Bushey	16/29
	8,640,832 B2 *	2/2014	Chen et al.	188/1.12
D277,818 S *	3/1985	Spitz	D6/510	* cited by examiner

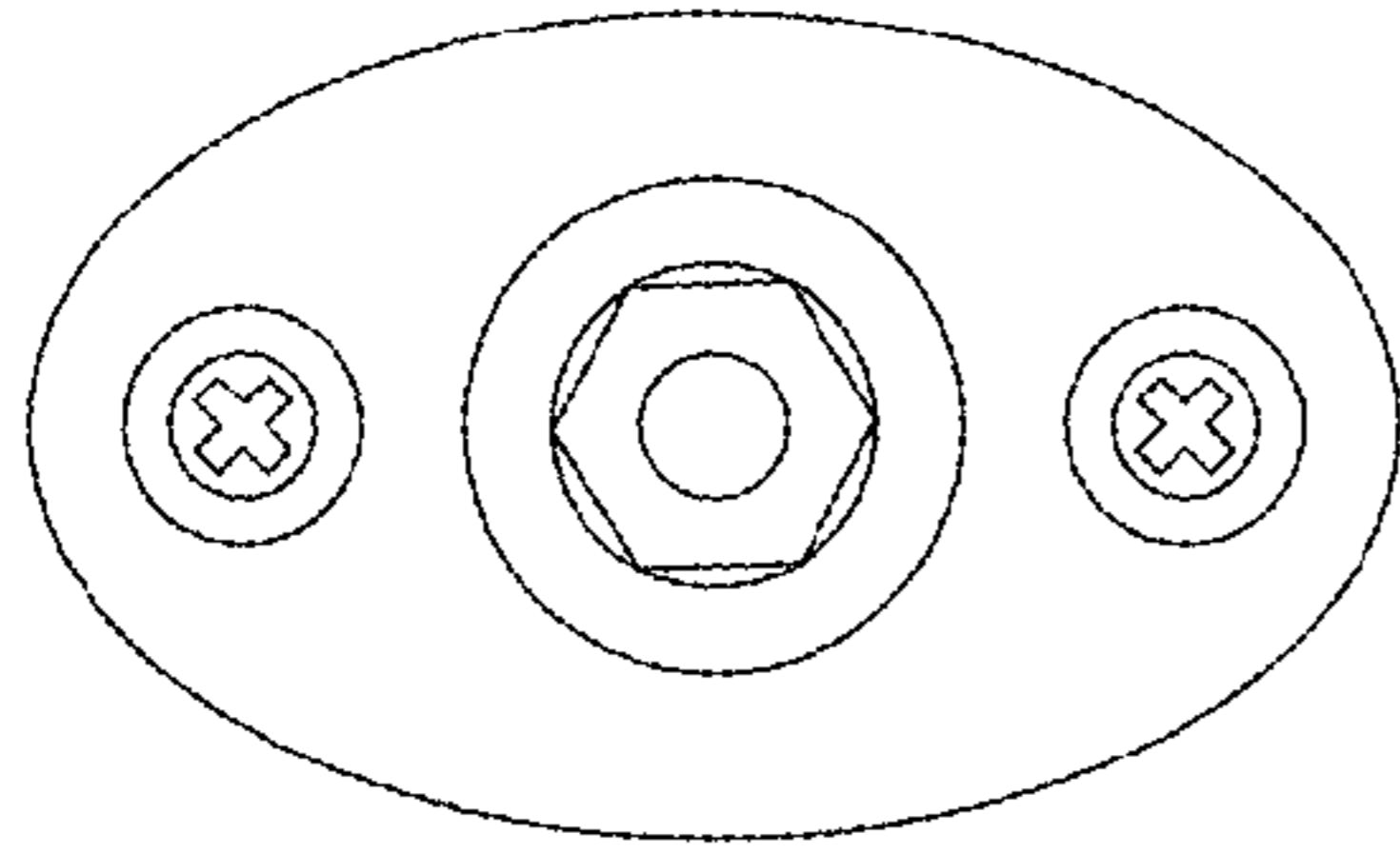


Fig. 1

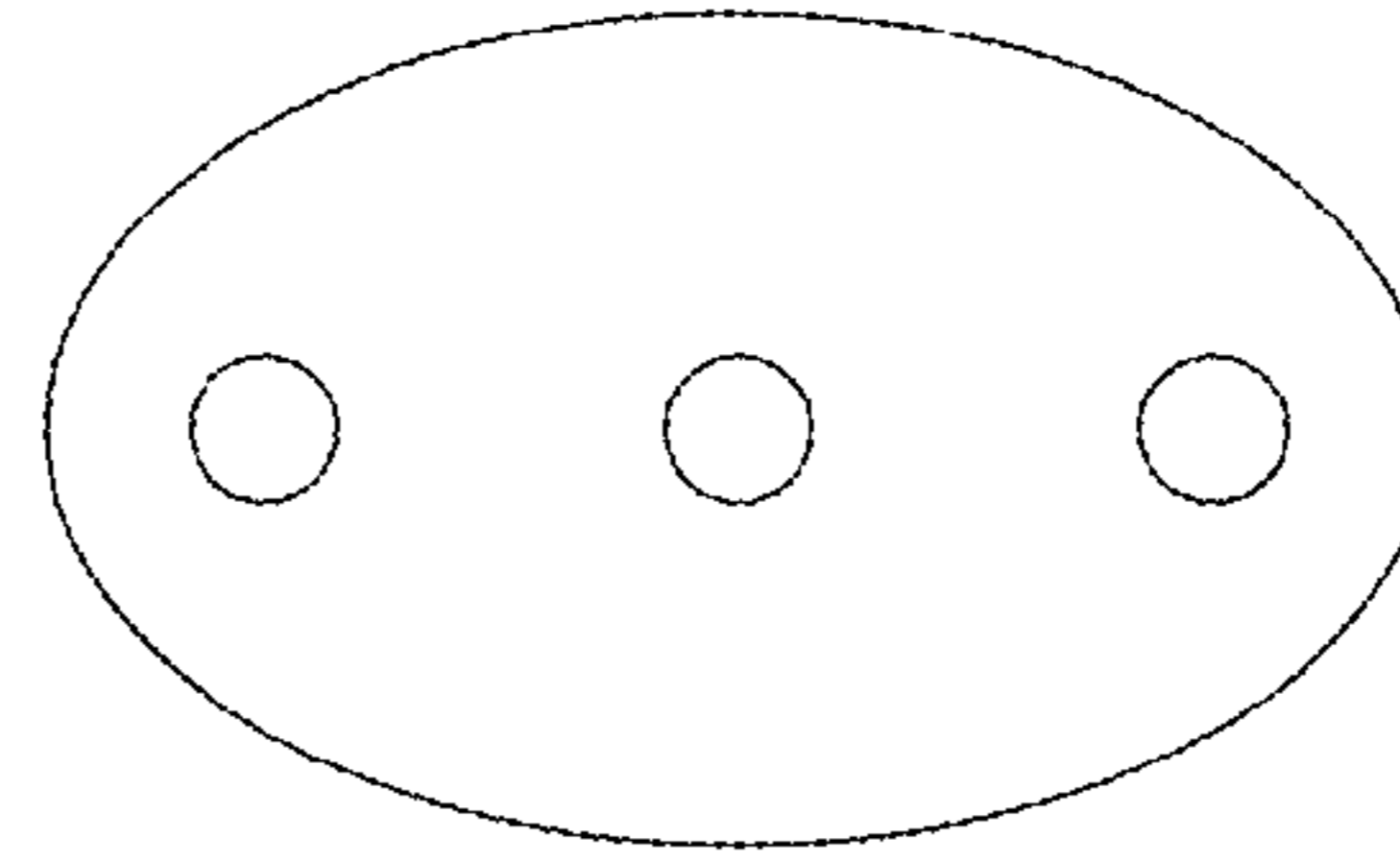


Fig. 2

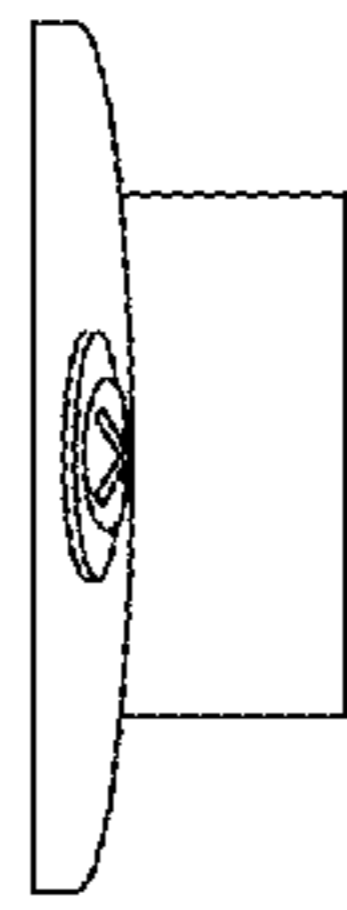


Fig. 3

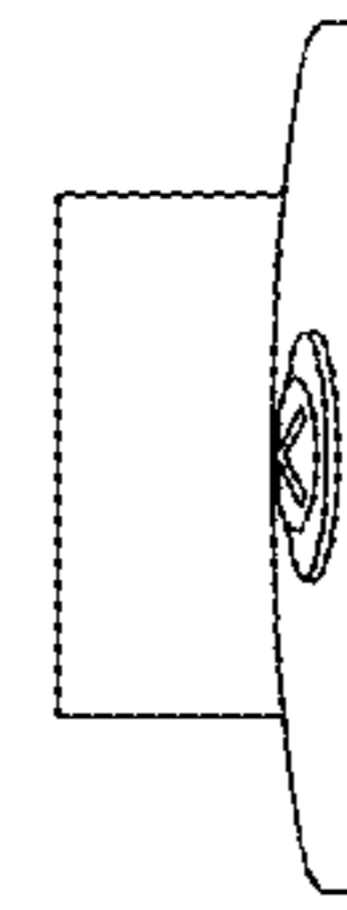


Fig. 4

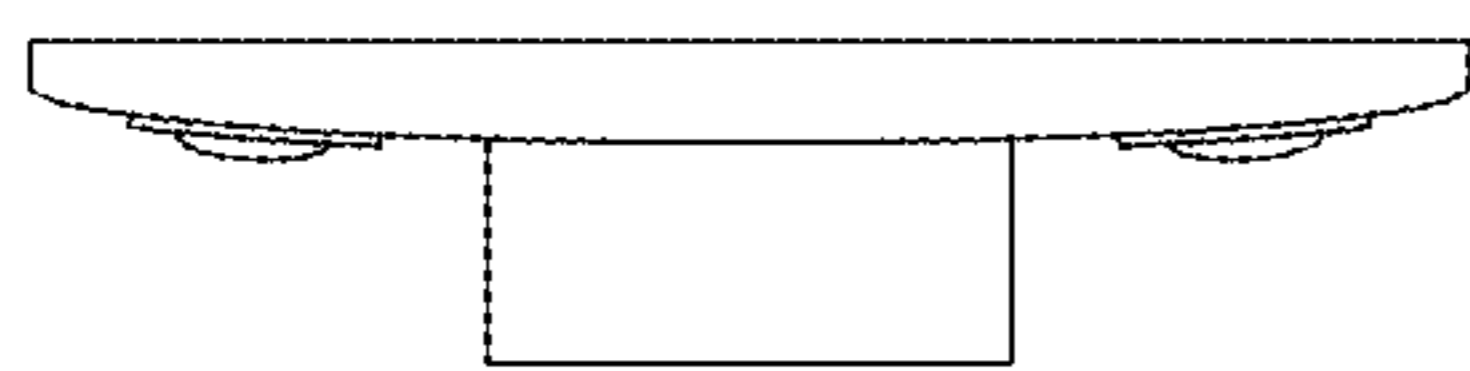


Fig. 5

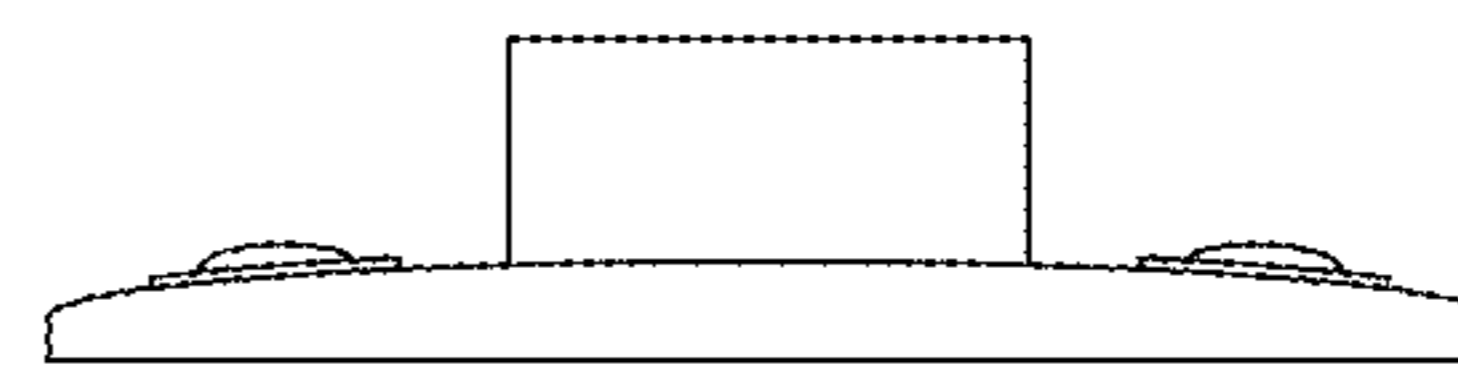


Fig. 6

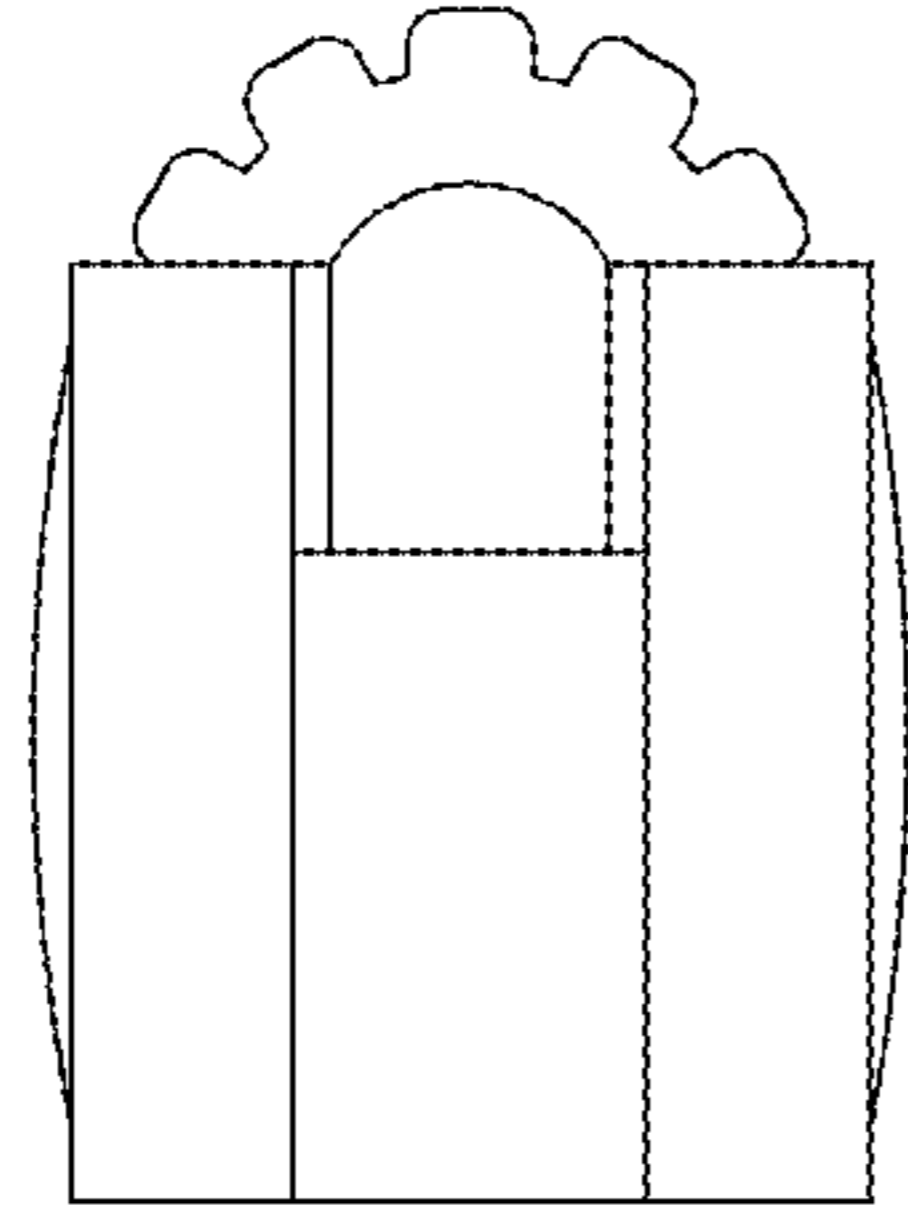


Fig. 7

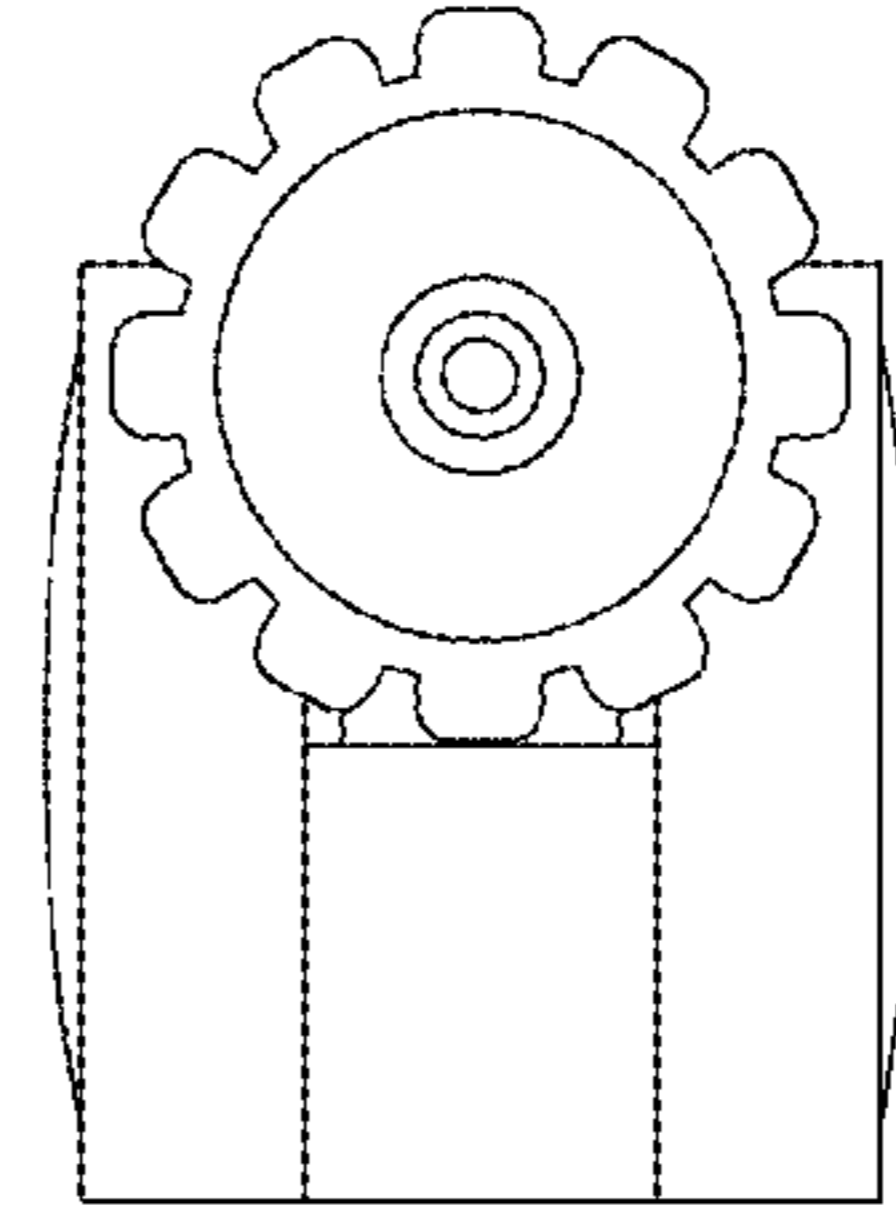


Fig. 8

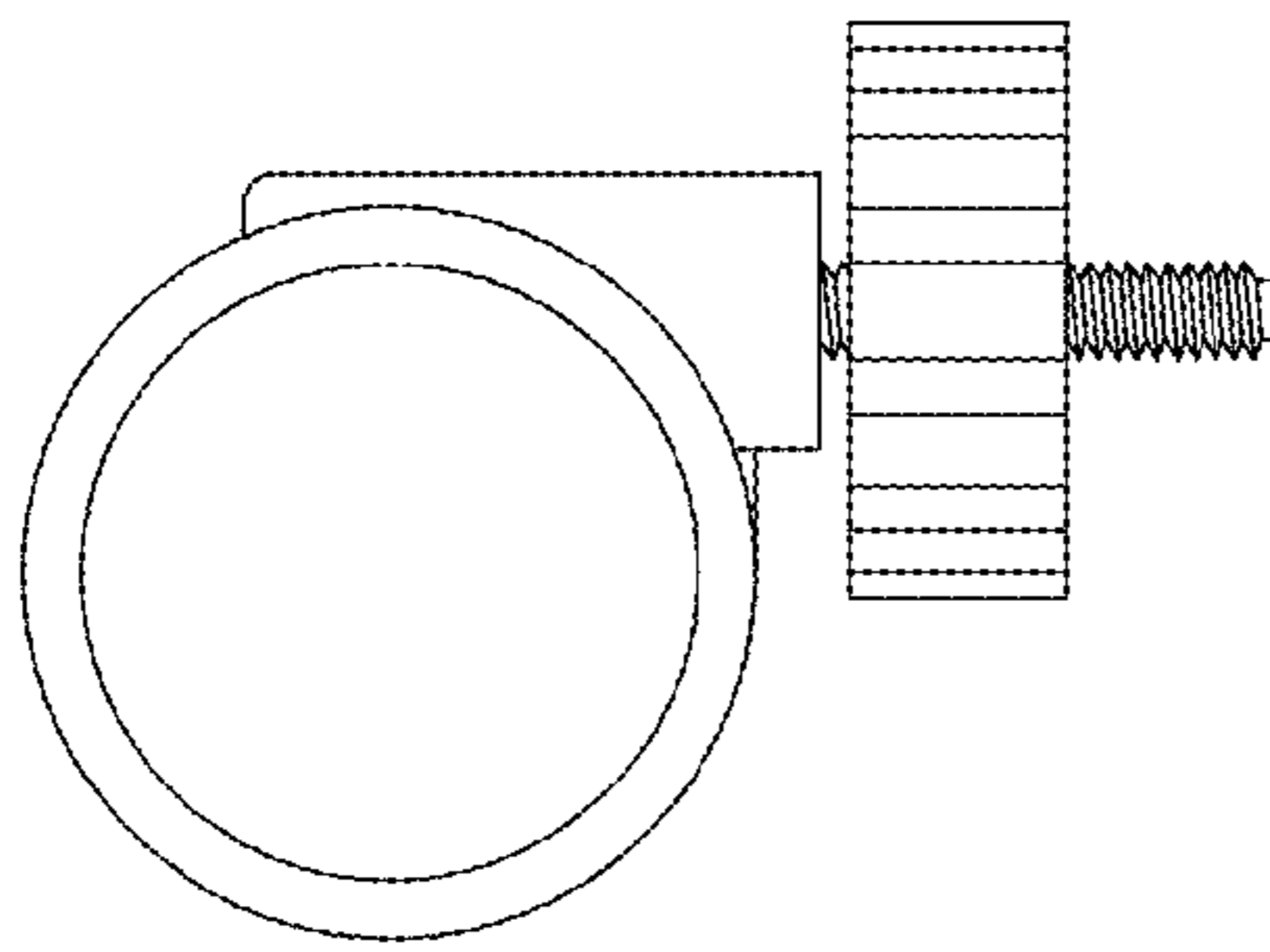


Fig. 9

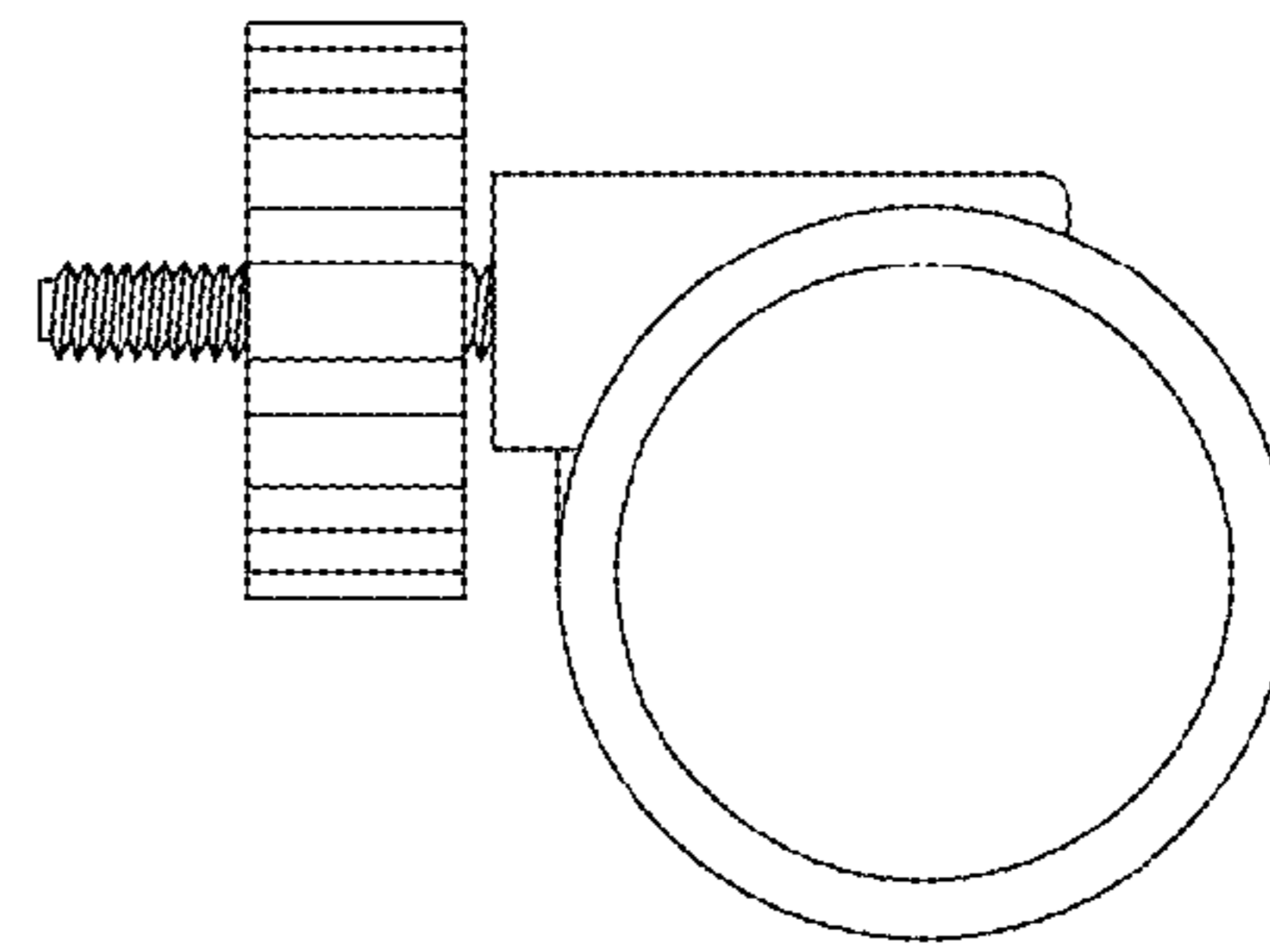


Fig. 10

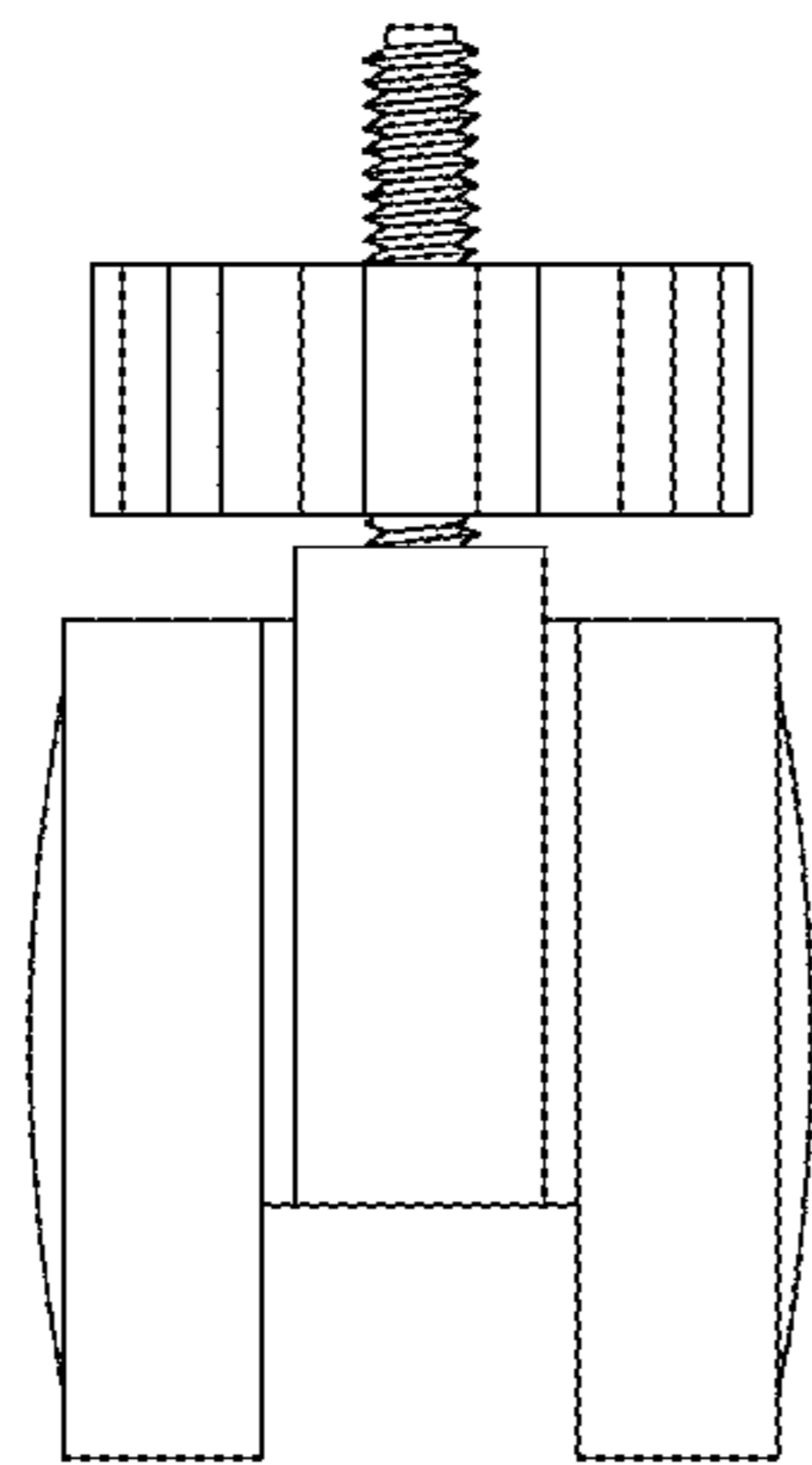


Fig. 11

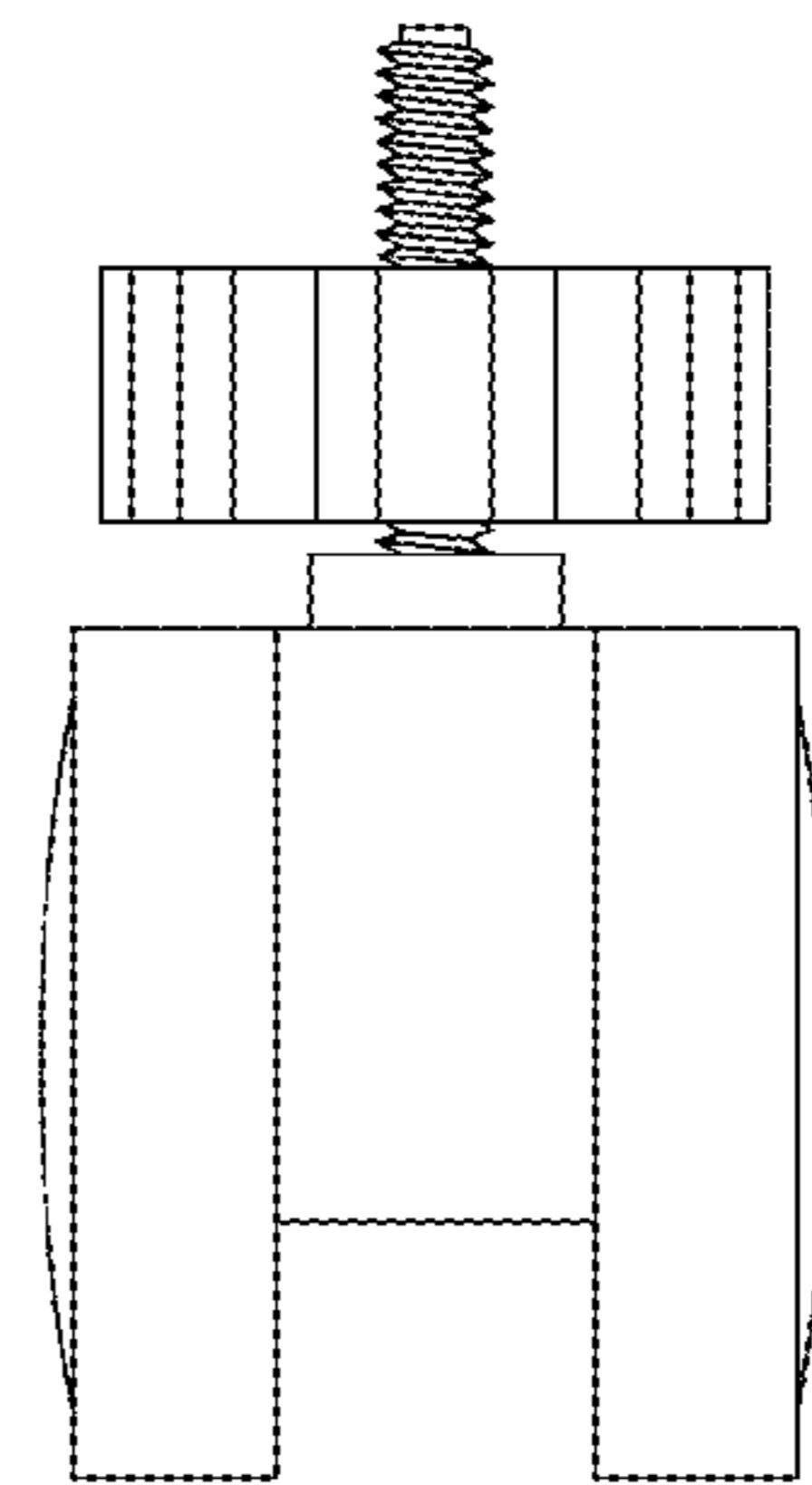


Fig. 12

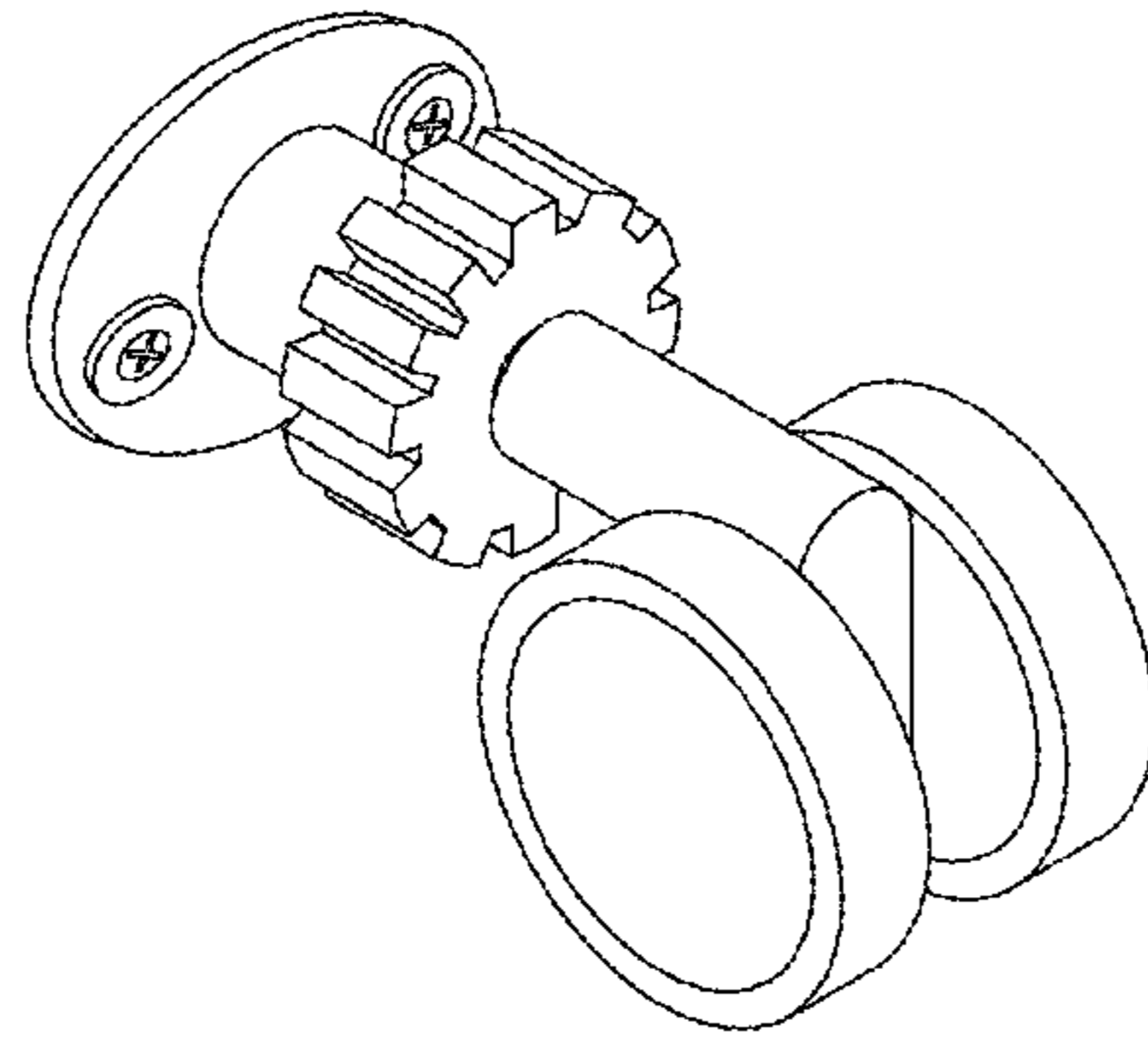


Fig. 13

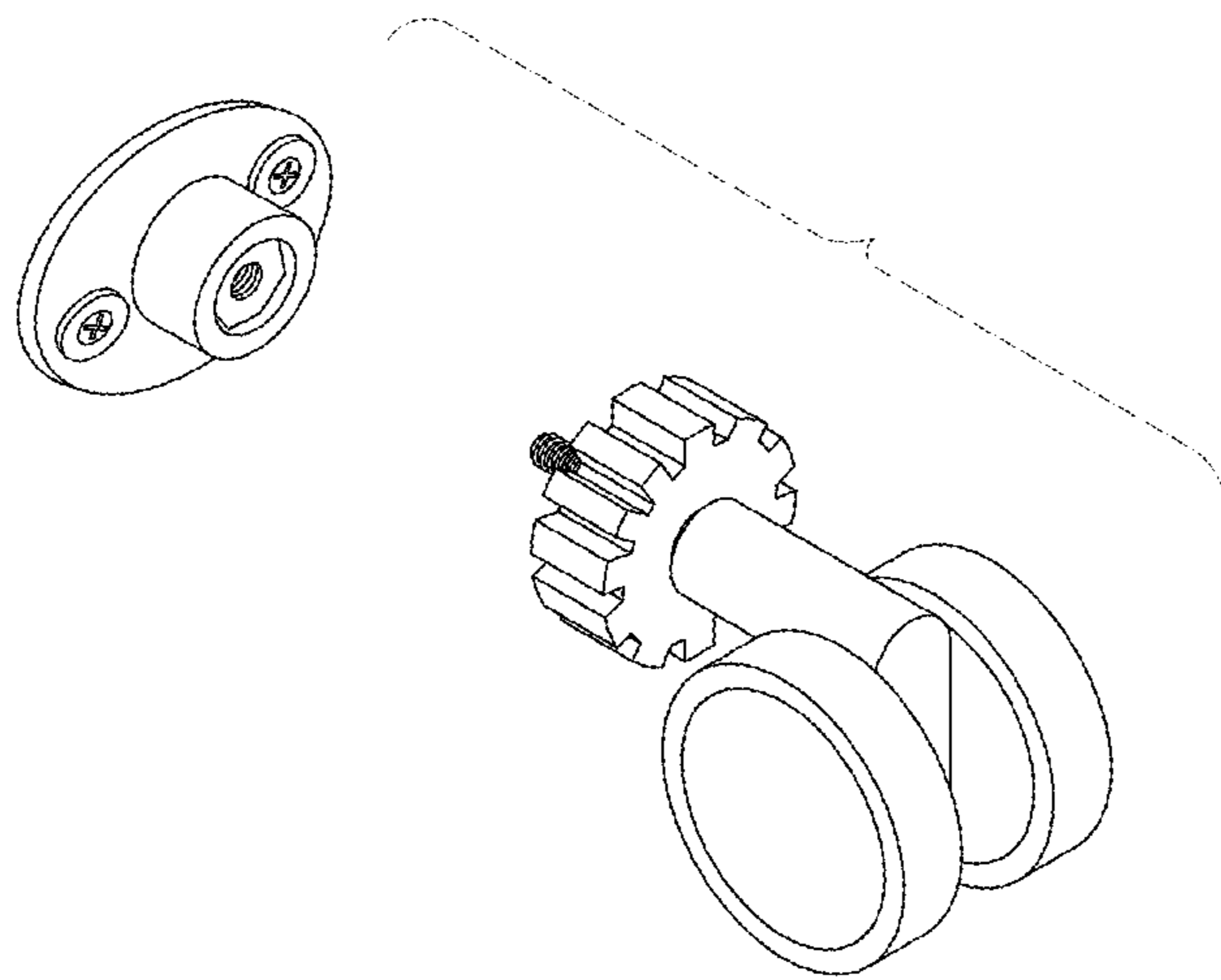


Fig. 14

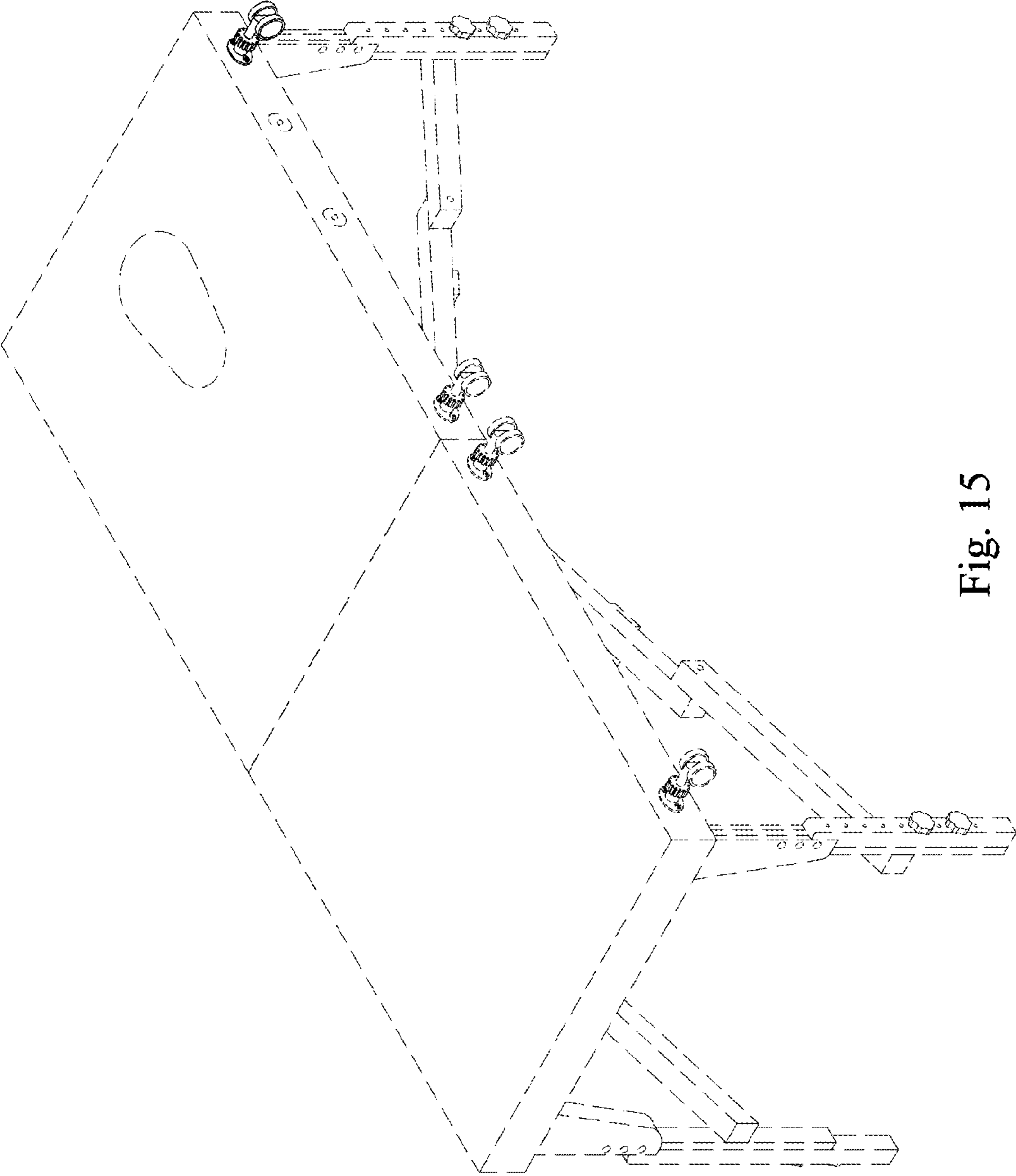


Fig. 15

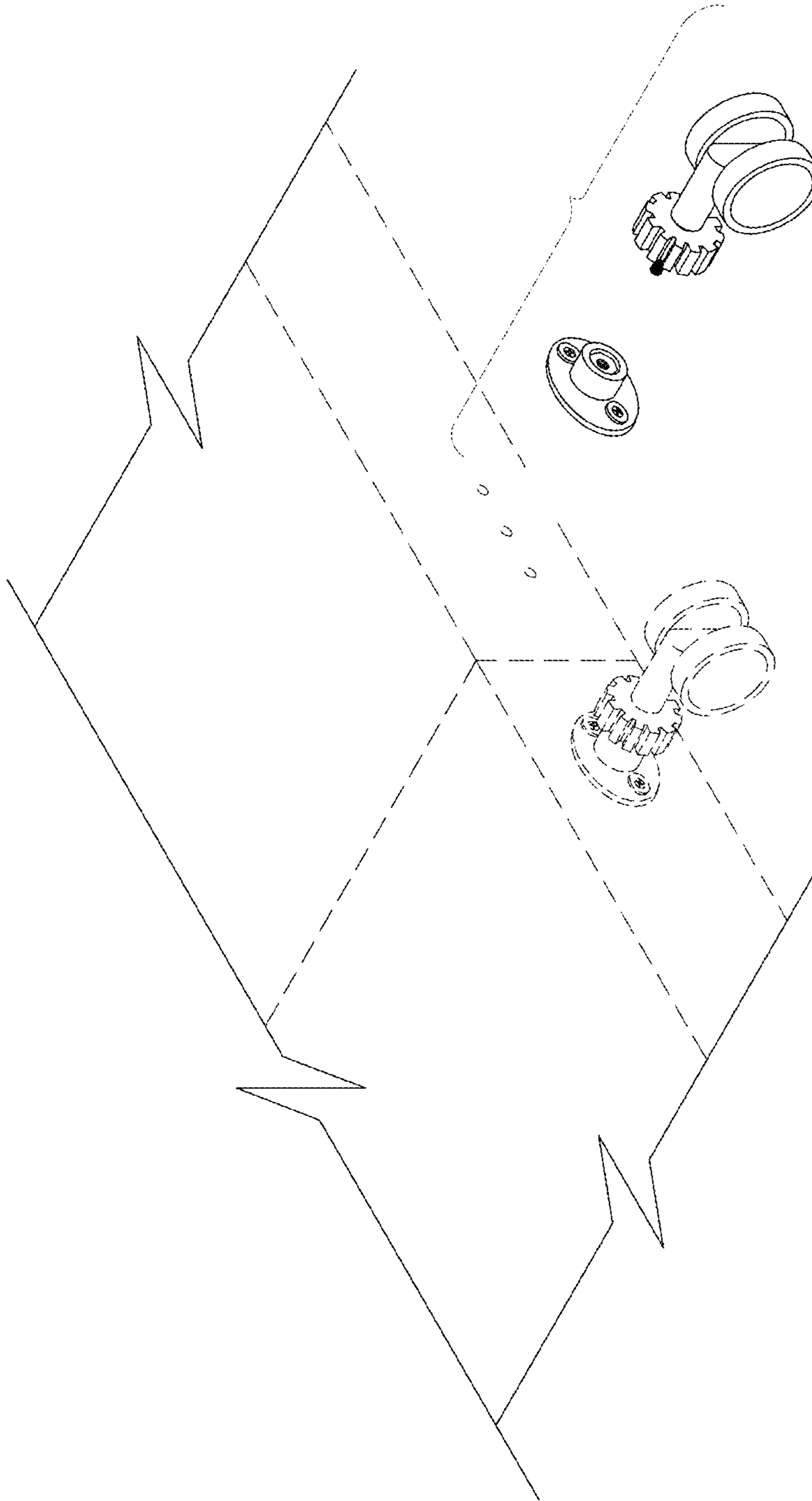


Fig. 16