



US00D727135S

(12) **United States Design Patent**
Huang

(10) **Patent No.:** **US D727,135 S**
(45) **Date of Patent:** **** Apr. 21, 2015**

- (54) **SQUARE-SHAPED SUCTION CUP**
- (71) Applicant: **Anho Houseware Co., Ltd. Jiangmen,**
Jiangmen, Guangdong (CN)
- (72) Inventor: **Jianming Huang,** Guangdong (CN)
- (73) Assignee: **Anho Houseware Co., Ltd. Jiangmen,**
Jiangmen, Guangdong (CN)
- (**) Term: **14 Years**

D464,868 S * 10/2002 Yip D8/367
 6,666,420 B1 12/2003 Carnevali
 D487,289 S * 3/2004 Richter D19/90

(Continued)

FOREIGN PATENT DOCUMENTS

CN 101265939 A 9/2008
 CN 201125930 Y 10/2008
 CN 201802741 U 4/2011
 CN 102072242 A 5/2011
 CN 202203267 U 4/2012

(Continued)

- (21) Appl. No.: **29/502,969**
- (22) Filed: **Sep. 22, 2014**

OTHER PUBLICATIONS

Design U.S. Appl. No. 29/461,770 filed Jul. 26, 2013 titled Square-Shaped Suction Cup.

- (30) **Foreign Application Priority Data**
Jul. 26, 2014 (CN) 2014 3 0256991

Primary Examiner — Sheryl Lane
Assistant Examiner — Nicole Shiflet

- (51) **LOC (10) Cl.** **08-05**

(74) *Attorney, Agent, or Firm* — Faegre Baker Daniels LLP

- (52) **U.S. Cl.**
USPC **D8/367**

(57) **CLAIM**

The ornamental design for a square-shaped suction cup, as shown and described.

- (58) **Field of Classification Search**
CPC A61M 1/06; A61M 1/064; F16B 47/00;
B65D 2543/00027; B65D 51/165; G01F
11/262
USPC D8/72, 367, 394, 373, 356, 349, 354;
D24/143; 385/136; 52/708, 263,
52/223.13; 256/65.03; 182/129; 137/615;
211/59.2; D16/136; D19/90; D10/69;
604/74; 269/165, 95; 248/229.2, 205.7,
248/363, 316.3

DESCRIPTION

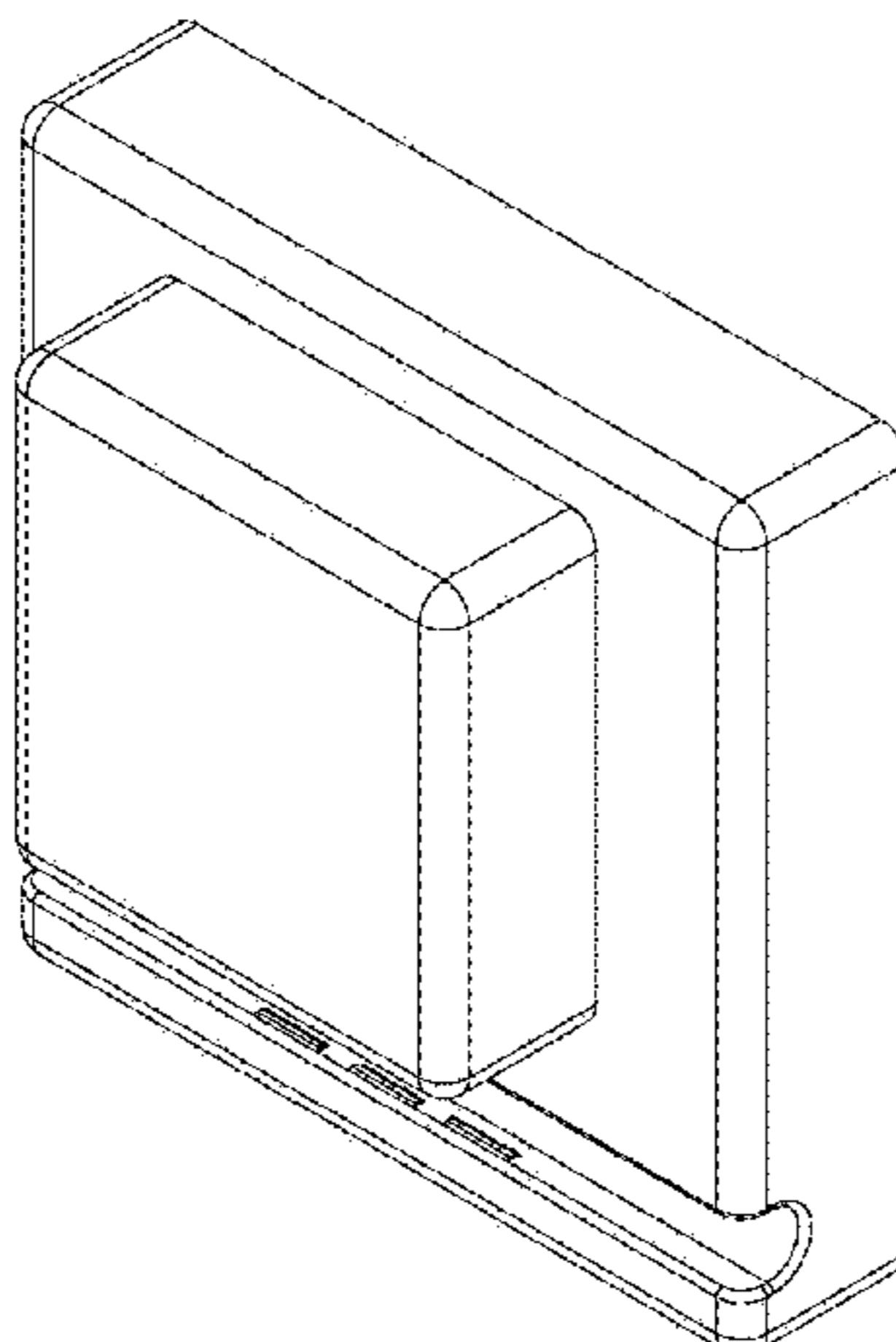
FIG. 1 is a front elevation view of a square-shaped suction cup according to the present application;
 FIG. 2 is a rear elevation view of the square-shaped suction cup according to the present application;
 FIG. 3 is a left side elevation view of the square-shaped suction cup according to the present application;
 FIG. 4 is a right side elevation view of the square-shaped suction cup according to the present application;
 FIG. 5 is a top plan view of the square-shaped suction cup according to the present application;
 FIG. 6 is a bottom plan view of the square-shaped suction cup according to the present application;
 FIG. 7 is a top front perspective view of the square-shaped suction cup according to the present application; and,
 FIG. 8 is a top front perspective view of the square-shaped suction cup in using state according to the present application.

See application file for complete search history.

- (56) **References Cited**
U.S. PATENT DOCUMENTS

1,147,102 A * 7/1915 Knabe 248/205.7
 D298,011 S * 10/1988 Jans D8/373
 5,104,077 A 4/1992 Liu
 5,170,982 A * 12/1992 Schultheis et al. 248/316.3
 D357,399 S * 4/1995 Miller D8/354
 D460,681 S * 7/2002 Edwards D8/354

1 Claim, 8 Drawing Sheets



(56)

References Cited

FOREIGN PATENT DOCUMENTS

U.S. PATENT DOCUMENTS

6,932,306	B2	8/2005	Zou et al.	
D576,475	S *	9/2008	Didehvar	D8/373
7,455,269	B1	11/2008	Chien et al.	
D589,332	S *	3/2009	Bevirt	D8/373
D646,991	S *	10/2011	Murray	D10/69
D658,051	S *	4/2012	Boucher-Gagne et al.	D8/394
D700,502	S *	3/2014	Smith	D8/349
2007/0210225	A1	9/2007	Carnevali	
2010/0252700	A1	10/2010	Wang	
2014/0306083	A1 *	10/2014	Zhang	248/363

CN	202756403	U	2/2013
CN	203146556		8/2013
EM	002097642-0001		5/2012
FR	2902474		12/2007
KR	20090017950		2/2009
RU	62216		1/2006
TW	201037180	A	10/2010
WO	WO 2010110606	A2	9/2010
WO	WO 2011025127	A2	3/2011
WO	WO 2012/163411		12/2012

* cited by examiner

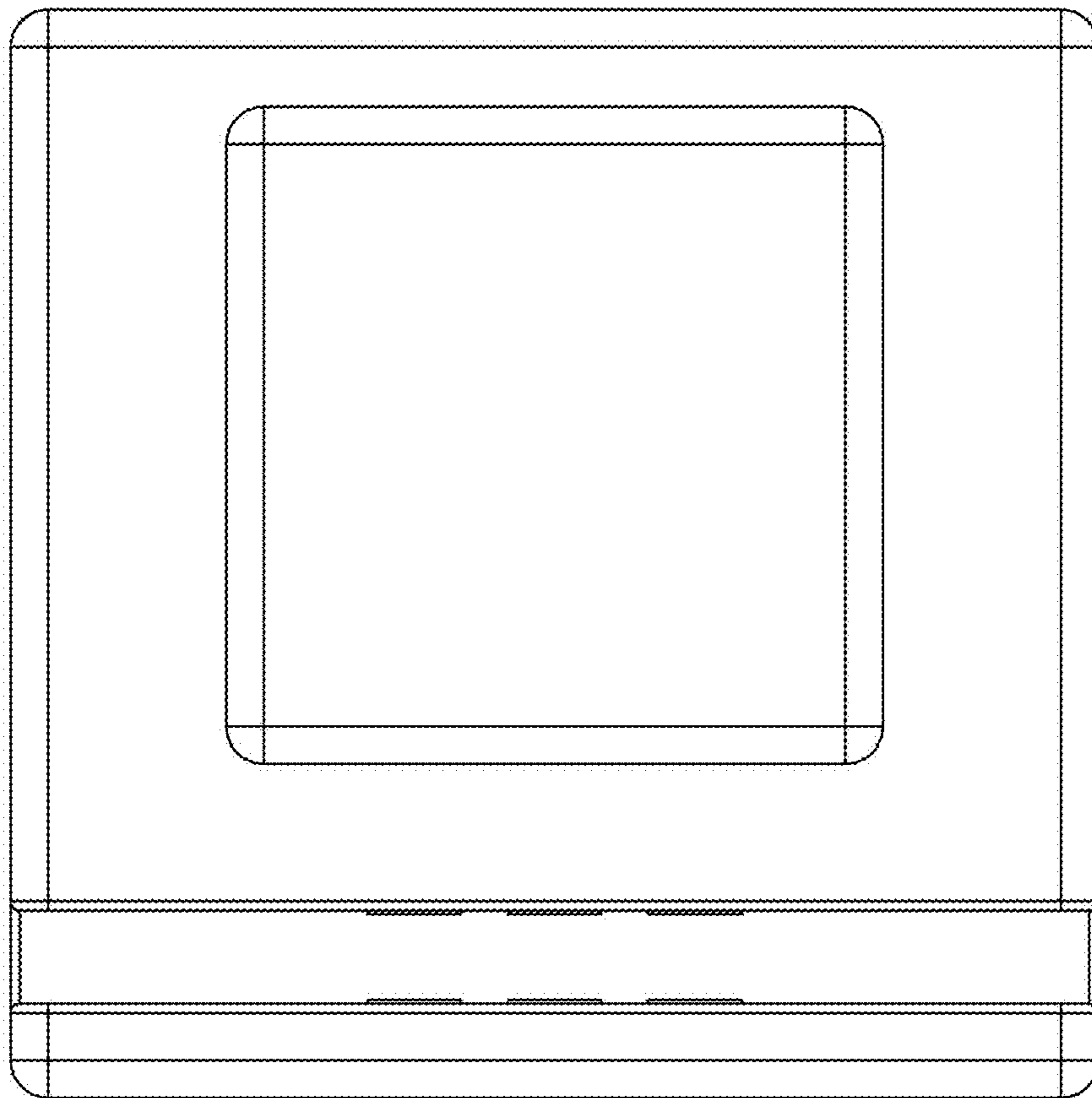


Figure 1

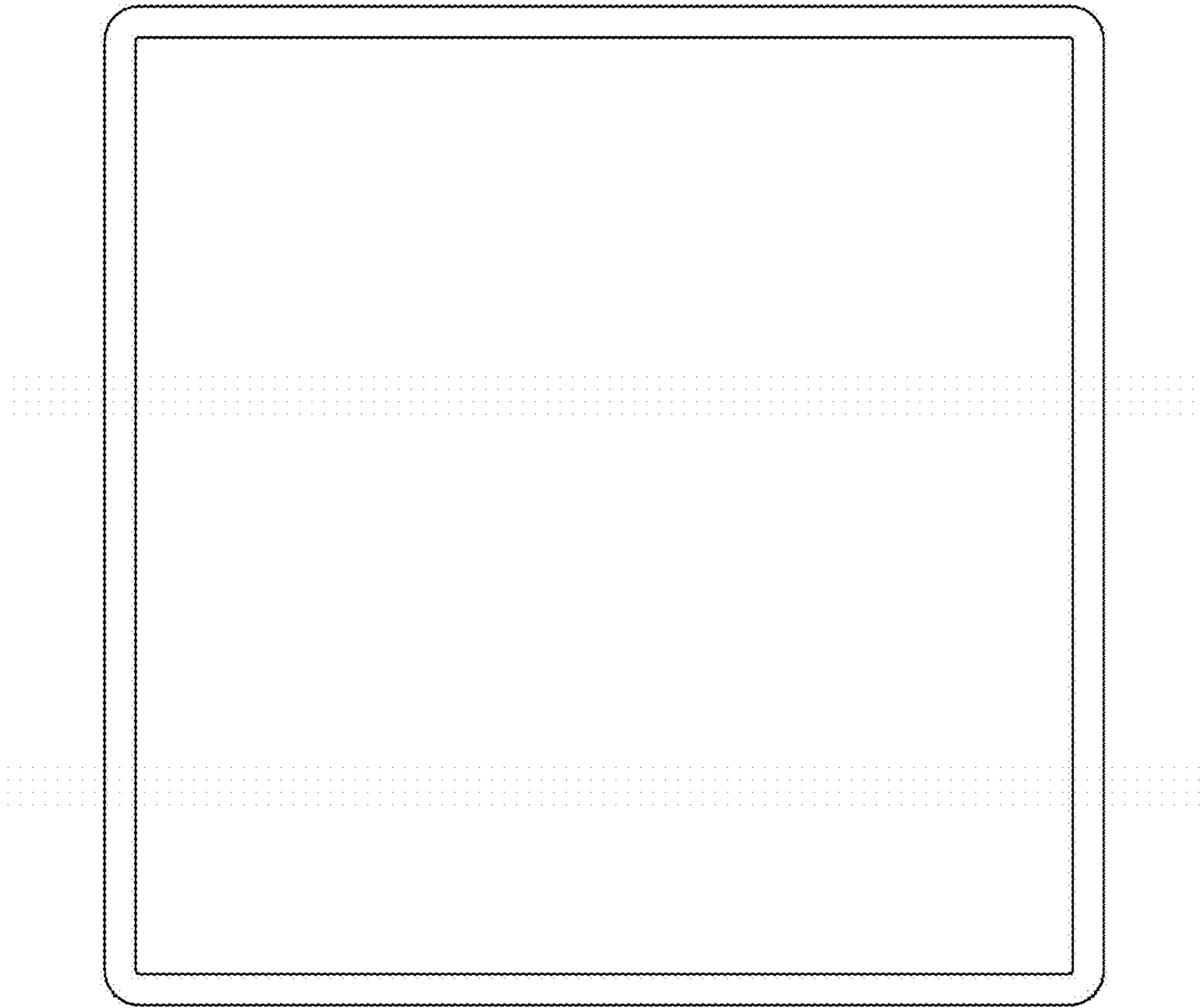


Figure 2

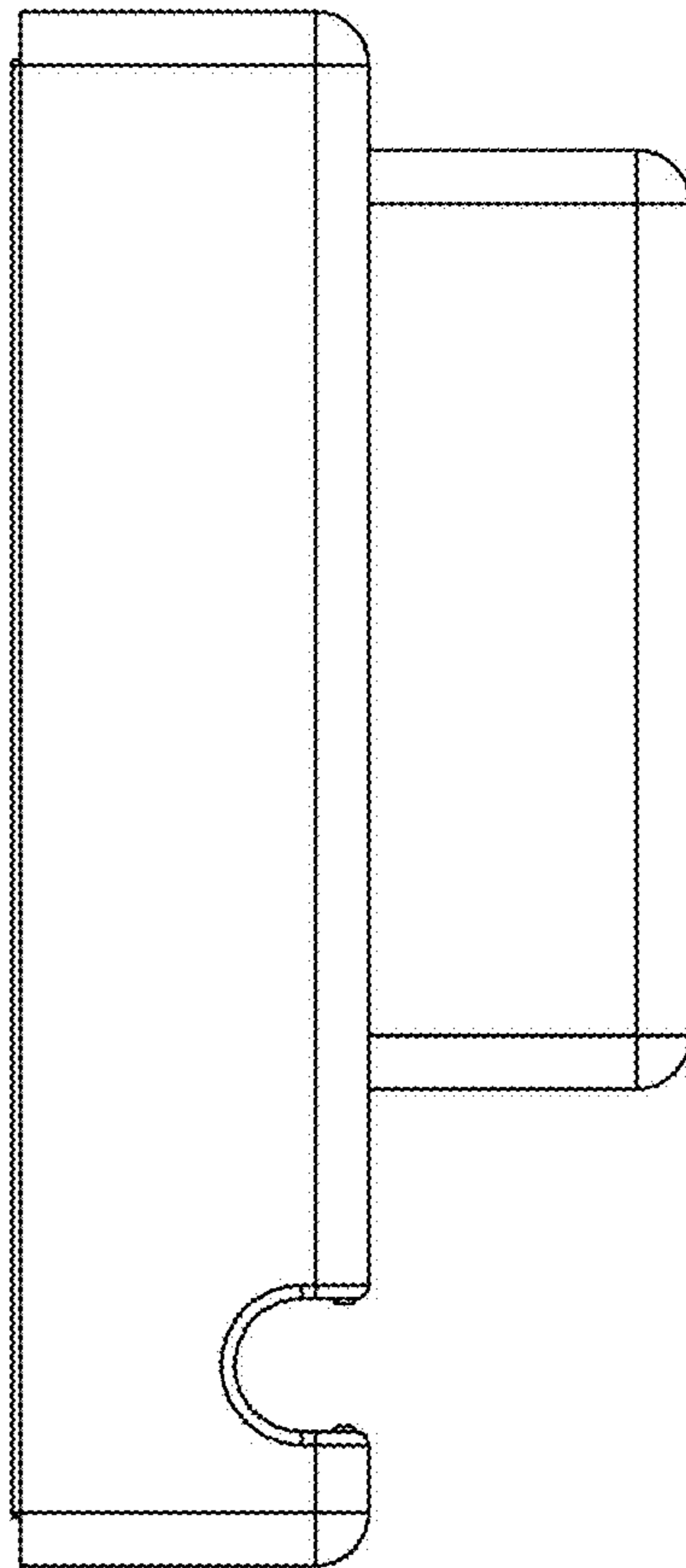


Figure 3

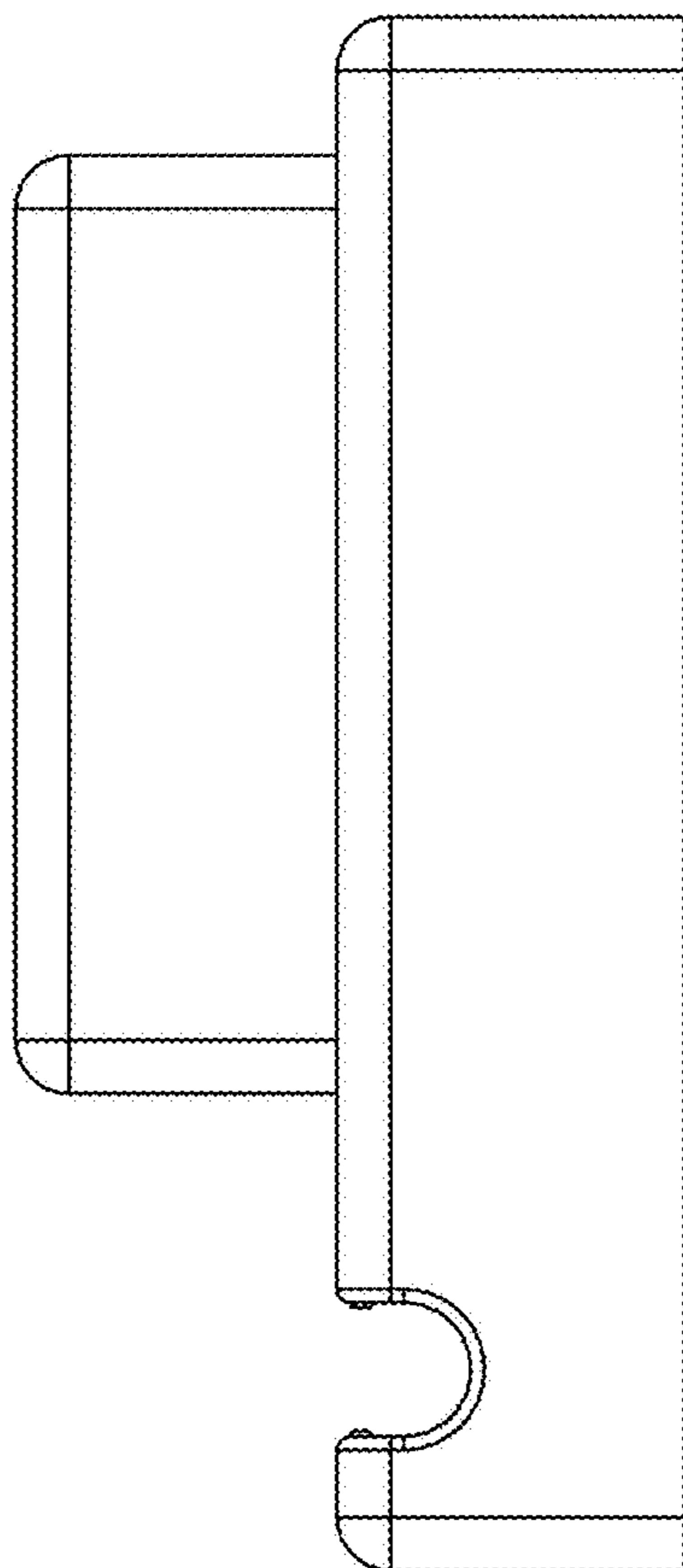


Figure 4

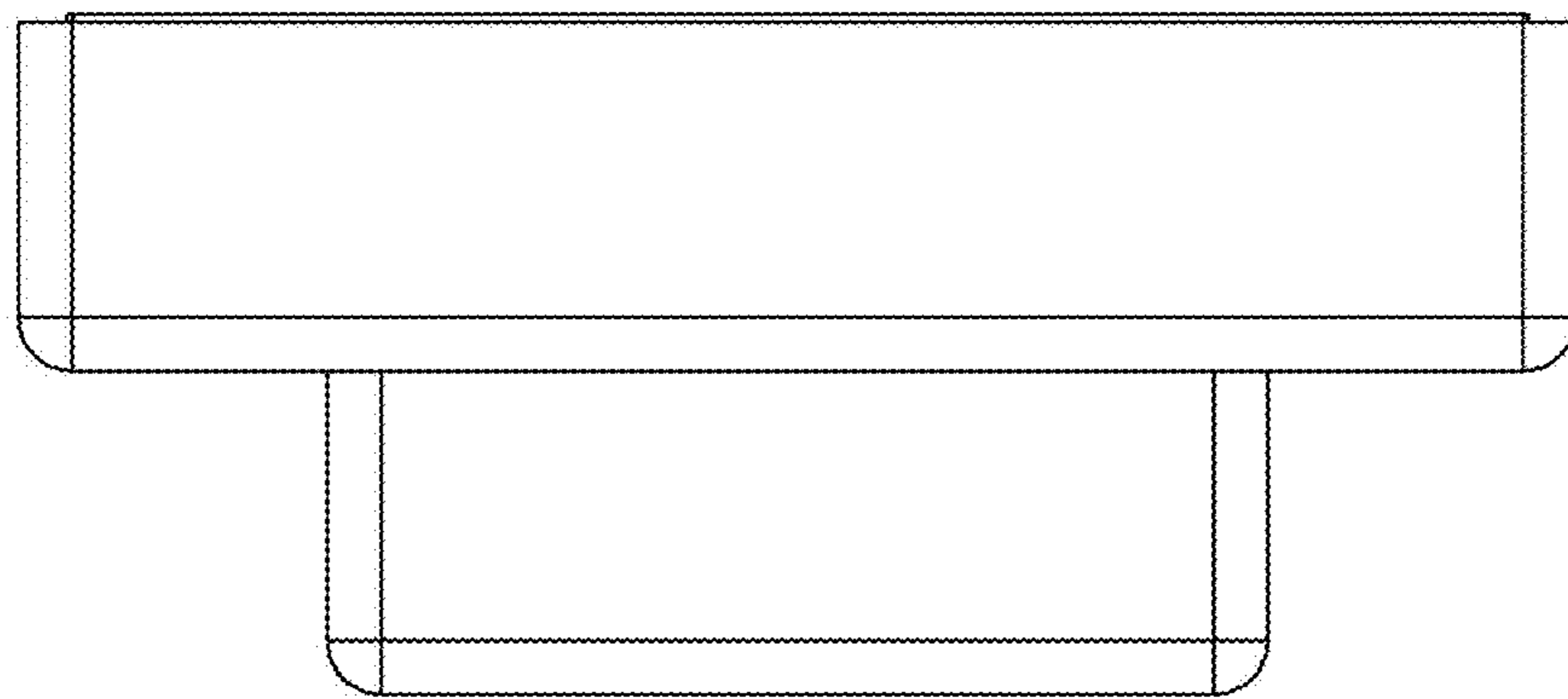


Figure 5

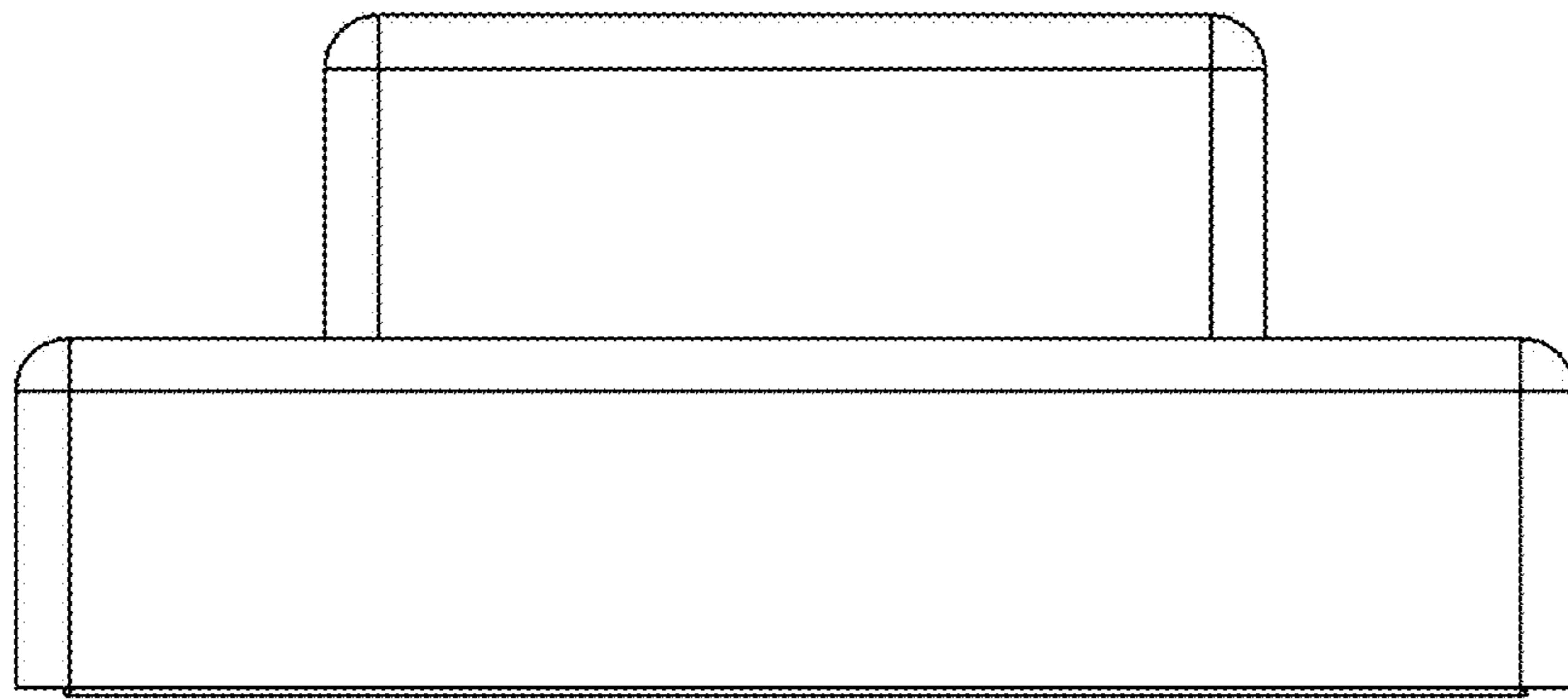


Figure 6

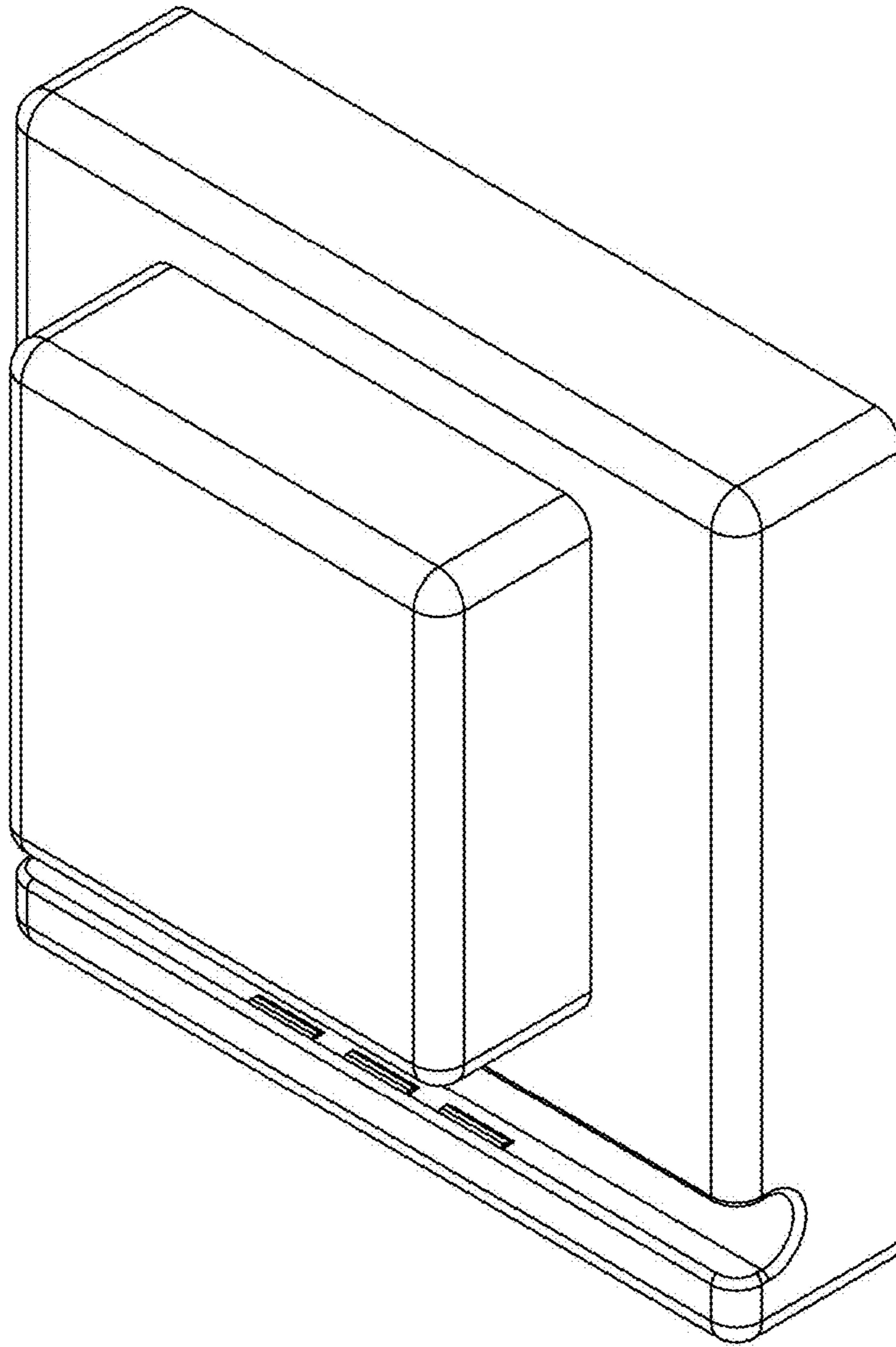


Figure 7

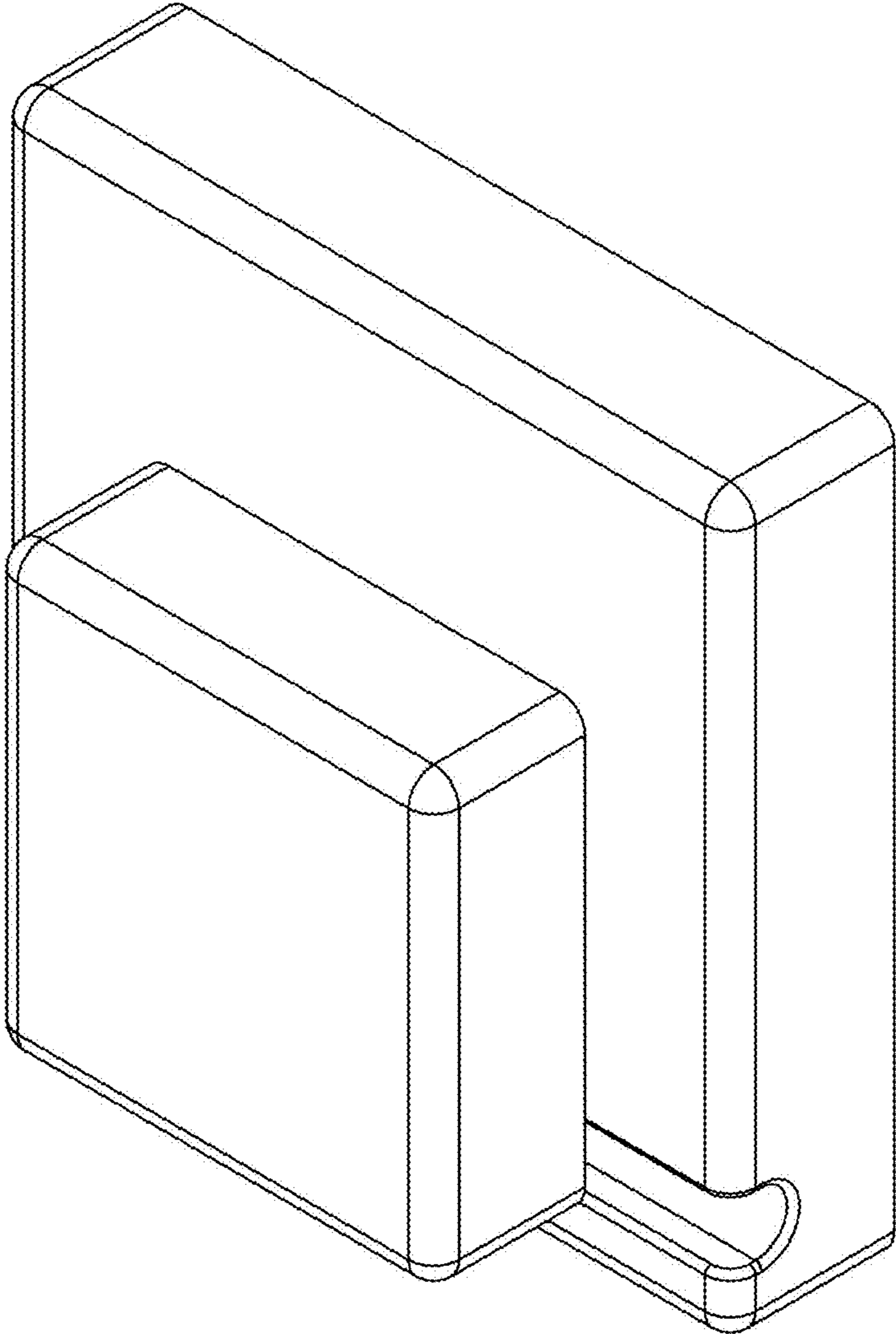


Figure 8