



US00D727134S

(12) **United States Design Patent**
Yamamoto et al.

(10) **Patent No.:** **US D727,134 S**

(45) **Date of Patent:** **** Apr. 21, 2015**

(54) **LATCH FOR VEHICLES**

(56) **References Cited**

(71) Applicant: **Kawasaki Jukogyo Kabushiki Kaisha,**
Hyogo (JP)

U.S. PATENT DOCUMENTS

(72) Inventors: **Teruaki Yamamoto,** Kakogawa (JP);
Itsuo Takegami, Kobe (JP); **Naoki**
Hashimoto, Kakogawa (JP)

3,863,303	A *	2/1975	Armstrong et al.	24/193
4,134,281	A *	1/1979	Pelcin	70/208
5,926,927	A *	7/1999	Winkler	24/593.1
6,123,379	A *	9/2000	Yamada et al.	296/65.03
6,406,075	B1 *	6/2002	Rice et al.	292/336.3
D524,139	S *	7/2006	Burns et al.	D8/302
7,497,488	B2 *	3/2009	Chen	292/216
D595,183	S *	6/2009	Nelson et al.	D11/212
D637,887	S *	5/2011	Beres et al.	D8/331
D675,080	S *	1/2013	Tejszerski et al.	D8/330
D706,110	S *	6/2014	Williams	D8/331
8,894,106	B2 *	11/2014	Vazquez et al.	292/216

(73) Assignee: **Kawasaki Jukogyo Kabushiki Kaisha,**
Hyogo (JP)

(**) Term: **14 Years**

* cited by examiner

(21) Appl. No.: **29/463,758**

Primary Examiner — Prabhakar Deshmukh

(22) Filed: **Feb. 26, 2014**

(30) **Foreign Application Priority Data**

(57) **CLAIM**

The ornamental design for a latch for vehicles, as shown and described.

Sep. 6, 2013 (JP) 2013-020646

(51) **LOC (10) Cl.** **08-07**

DESCRIPTION

(52) **U.S. Cl.**
USPC **D8/336; D8/331**

(58) **Field of Classification Search**
CPC E05C 3/06; E05C 3/16; E05C 19/08;
E05C 19/00
USPC D8/330, 331, 333, 342, 343, 349, 383,
D8/350, 336; D3/215, 327; 70/141, 237,
70/261, 258, 14, 57, 69, 74, 75, 224, 465;
297/355, 359; 24/305, 308, 315, 335,
24/160, 165, 629, 572; 292/216, 201,
292/DIG. 23

FIG. 1 is a front elevational view of a latch for vehicles showing our new design;
FIG. 2 is a rear elevational view thereof;
FIG. 3 is a left side elevational view thereof;
FIG. 4 is a right side elevational view thereof;
FIG. 5 is a top plan view thereof;
FIG. 6 is a bottom plan view thereof;
FIG. 7 is a front left perspective view thereof;
FIG. 8 is a front right perspective view thereof; and,
FIG. 9 is a rear right perspective view thereof.

See application file for complete search history.

1 Claim, 3 Drawing Sheets

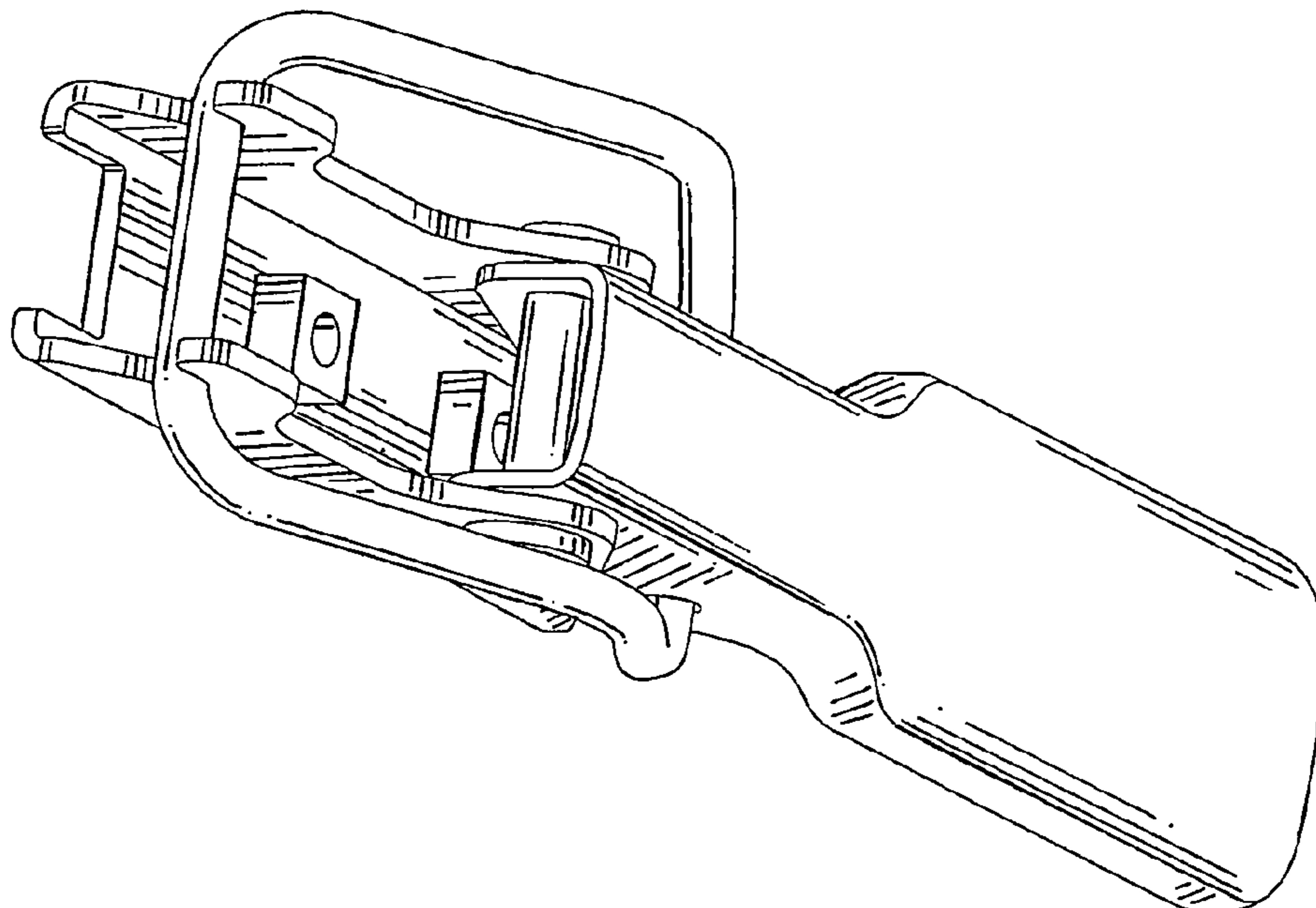


Fig. 1

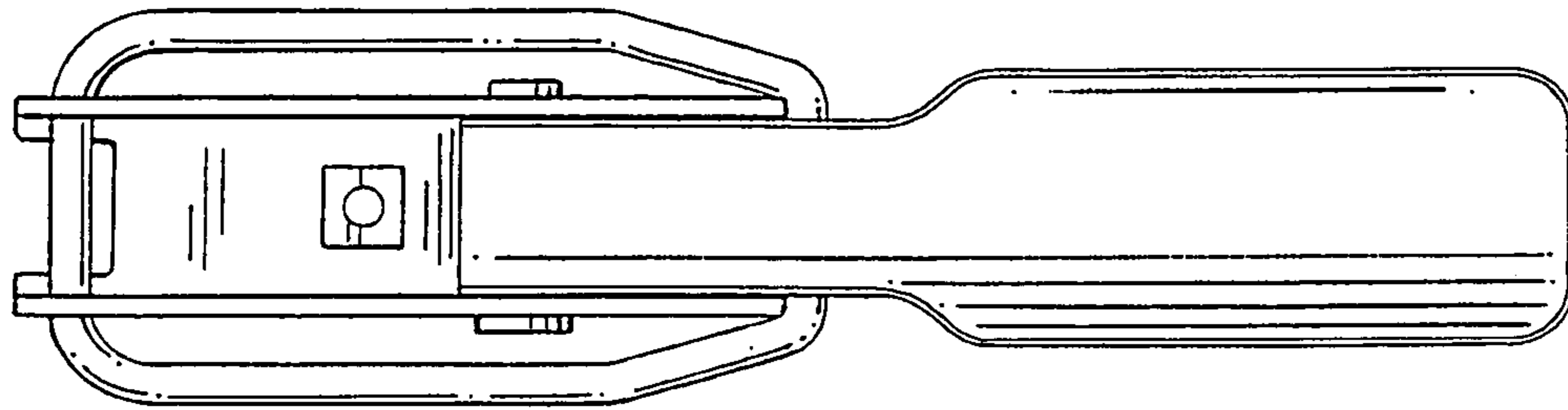


Fig. 2

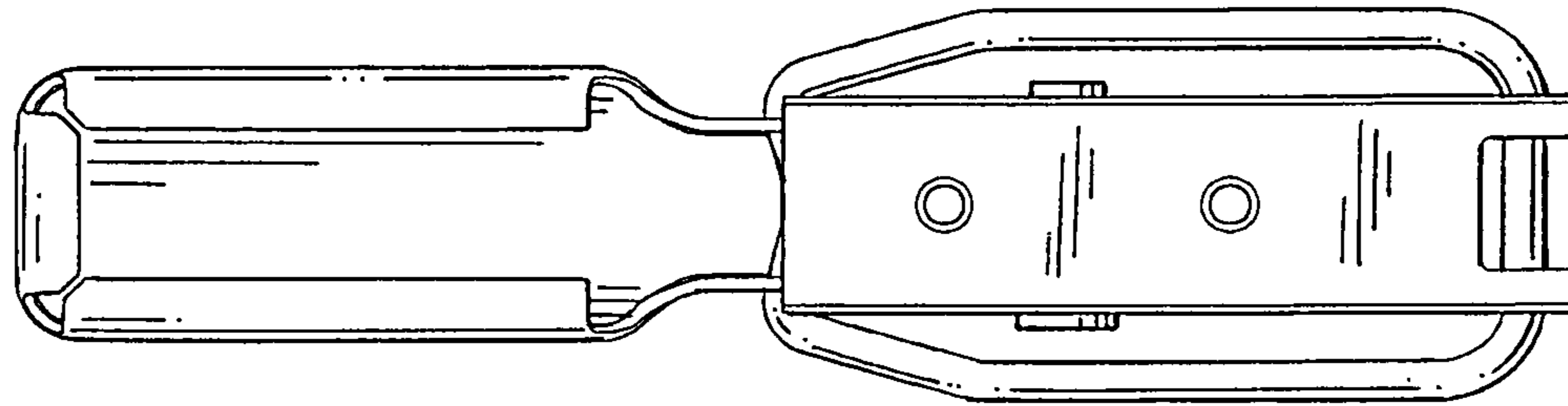


Fig. 3

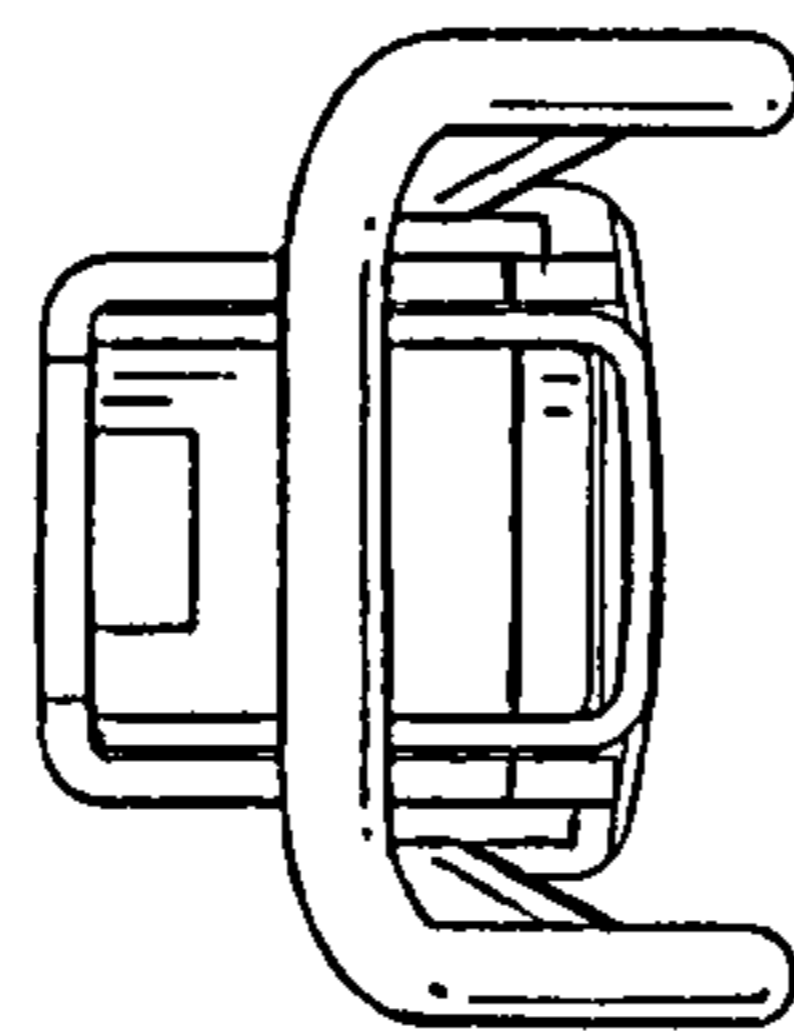


Fig. 4

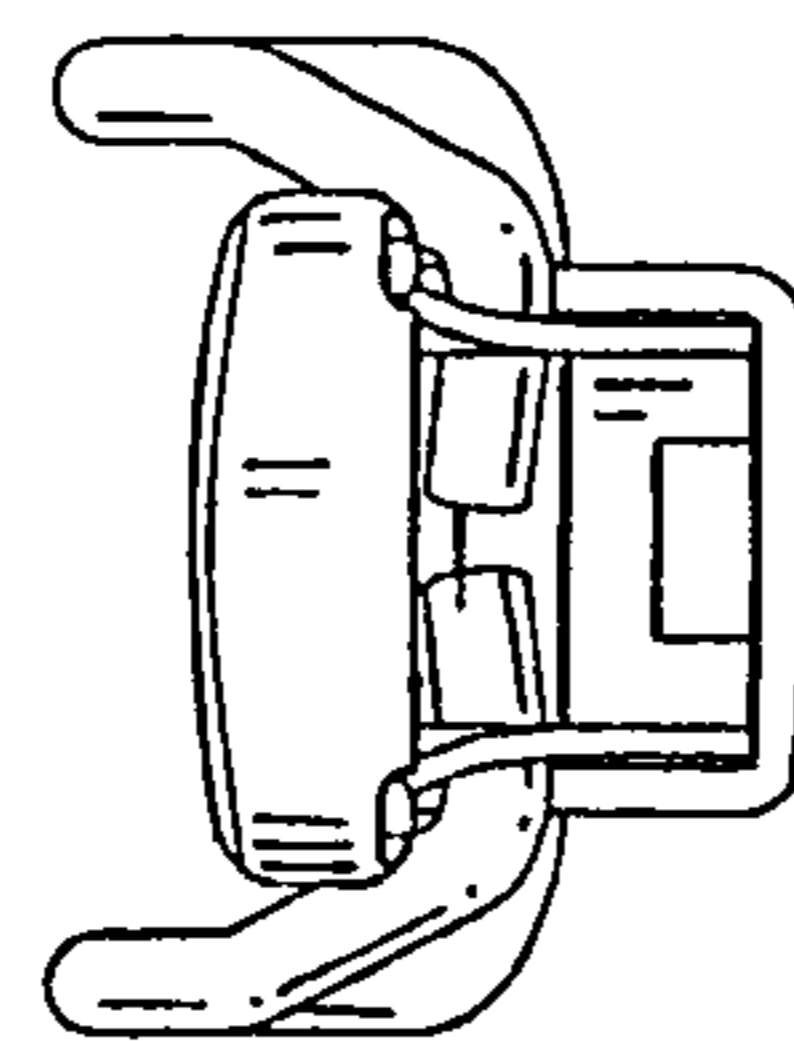


Fig. 5

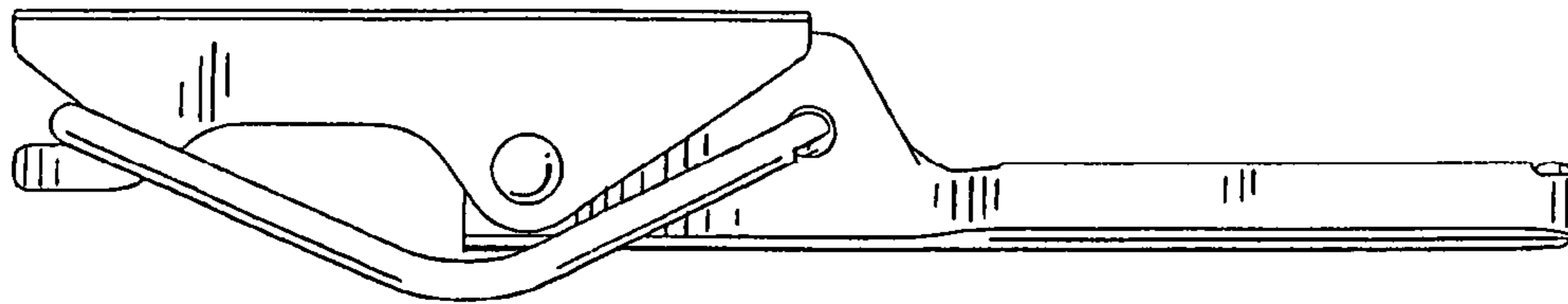


Fig. 6

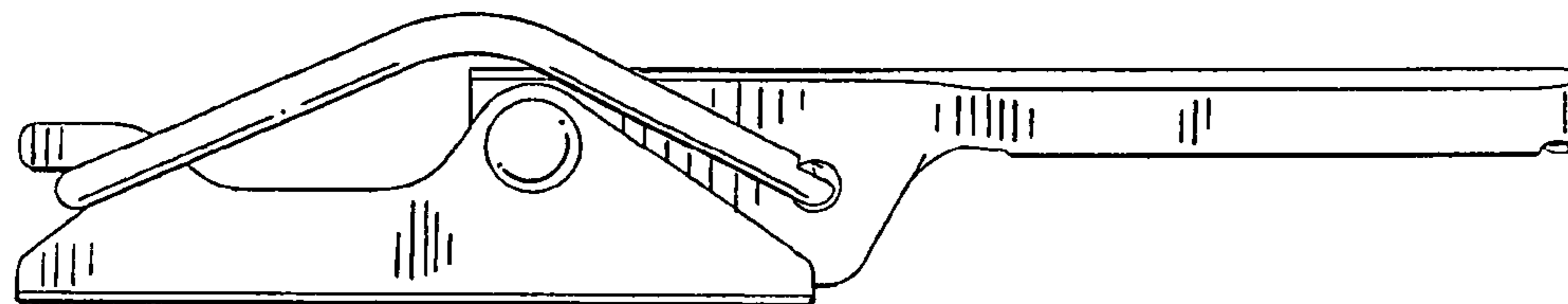


Fig. 7

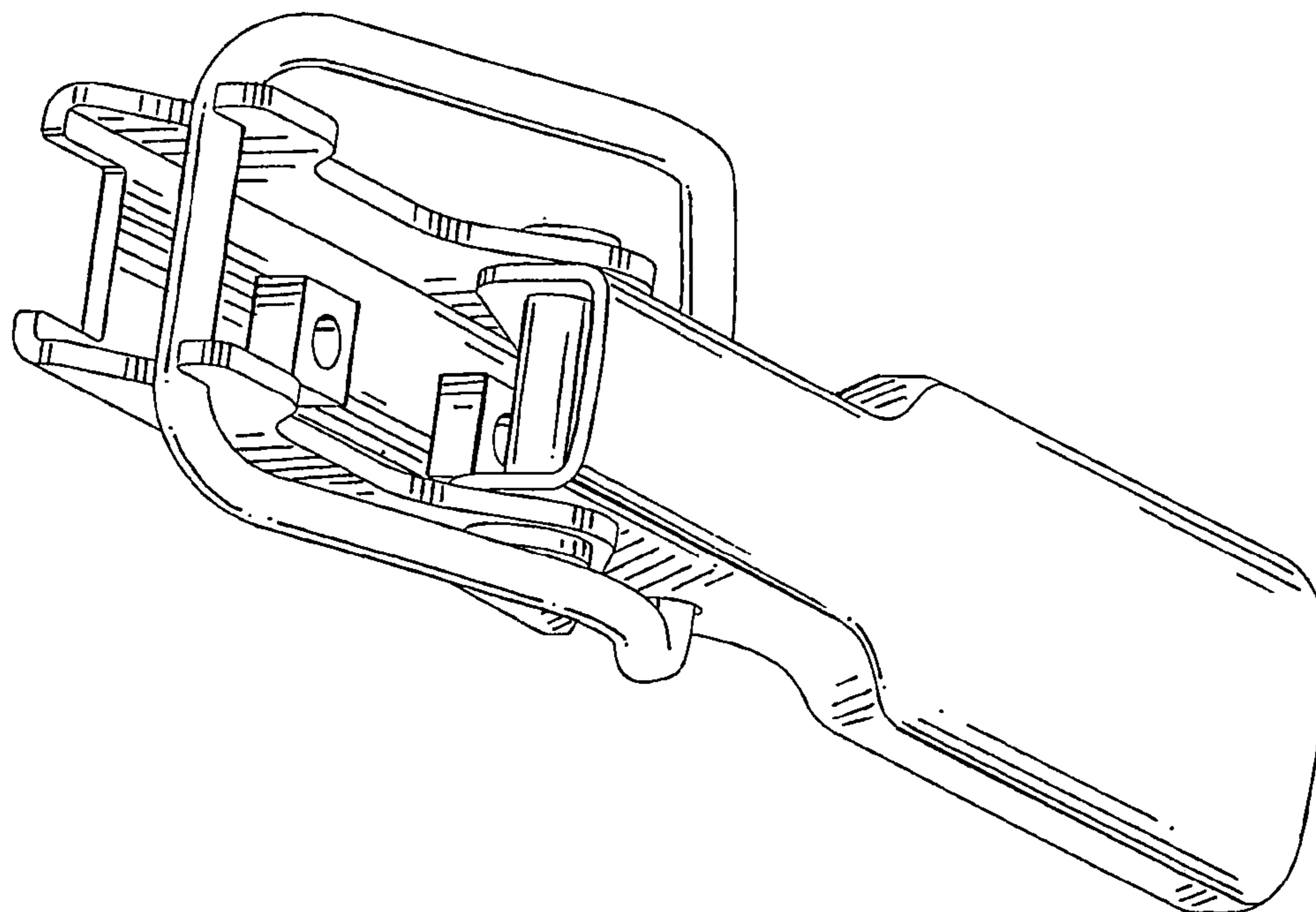


Fig. 8

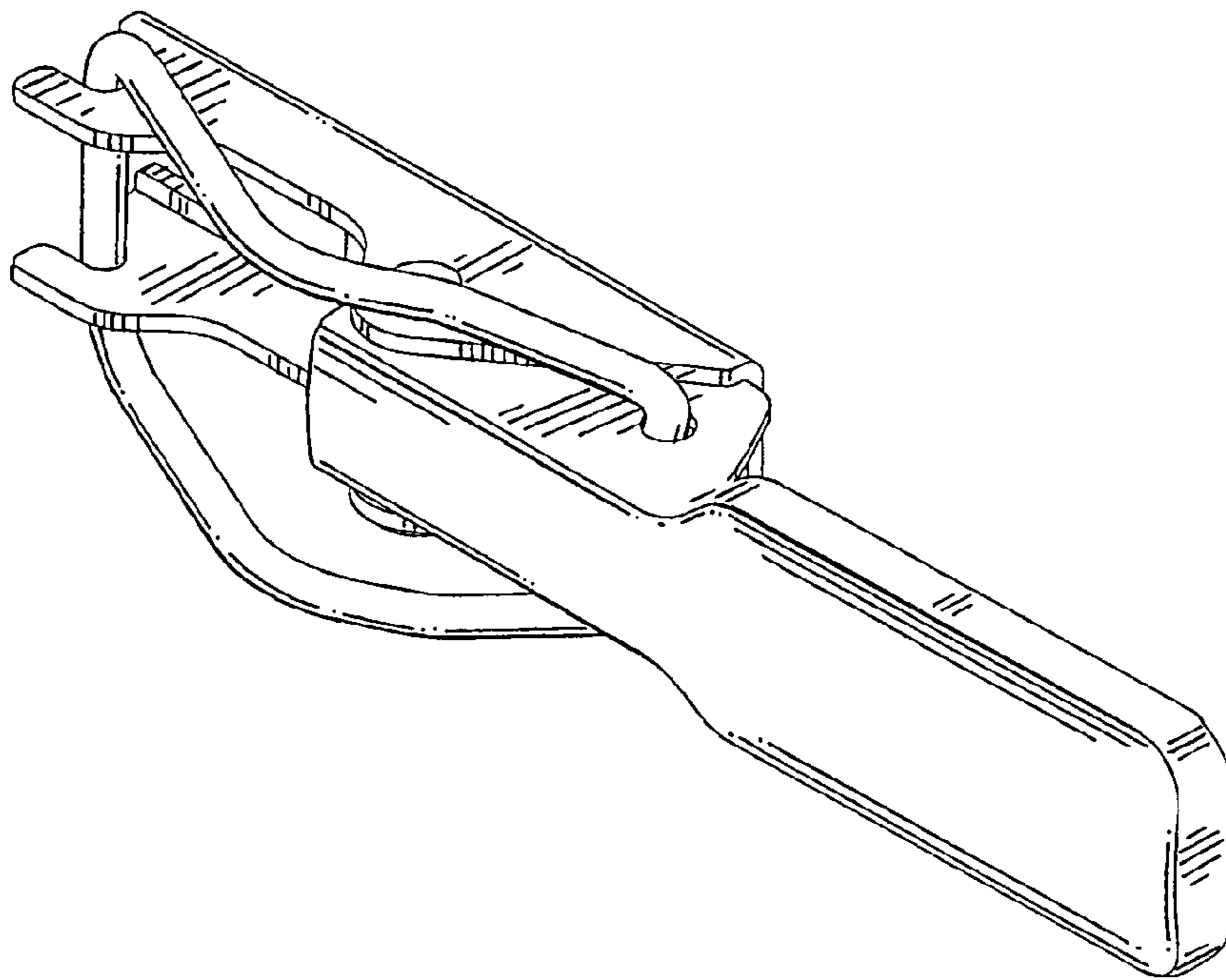


Fig. 9

