



US00D727133S

(12) **United States Design Patent**
Knudson et al.

(10) **Patent No.:** **US D727,133 S**

(45) **Date of Patent:** **** Apr. 21, 2015**

(54) **ADJUSTABLE HINGE**

(71) Applicant: **Modern Fence Technologies**, East Troy, WI (US)

(72) Inventors: **Mark Knudson**, East Troy, WI (US);
Matthew Knudson, East Troy, WI (US)

(73) Assignee: **Modern Fence Technologies, Inc.**, East Troy, WI (US)

(**) Term: **14 Years**

(21) Appl. No.: **29/467,224**

(22) Filed: **Sep. 17, 2013**

(51) **LOC (10) Cl.** **08-06**

(52) **U.S. Cl.**
USPC **D8/323**

(58) **Field of Classification Search**

USPC 220/575; 206/521.15; 24/302, 16 R, 24/306, 17 R; 439/501; 381/374; D14/217, D14/205; D8/323, 327, 323.349, 356; 16/225, 250, 682, 309, 235, 275, 244, 16/379, 390, 430, 241, 238, 245, 236, 243, 16/242, 385, 331, 274; D23/303; 4/236, 4/240

See application file for complete search history.

(56) **References Cited**

U.S. PATENT DOCUMENTS

D396,626	S	*	8/1998	Francom	D8/323
D443,196	S	*	6/2001	Sosa	D8/323
D544,779	S	*	6/2007	Loggen	D8/327
7,240,400	B2	*	7/2007	Bonham	16/238
D588,899	S	*	3/2009	Lucchini	D8/326
D624,388	S	*	9/2010	Eland	D8/323
D679,570	S	*	4/2013	Farnsworth et al.	D8/323
D699,093	S	*	2/2014	Farnsworth et al.	D8/323

* cited by examiner

Primary Examiner — Cynthia Underwood

(74) *Attorney, Agent, or Firm* — Joseph T. Leone, Esq.;
DeWitt Ross & Stevens S.C.

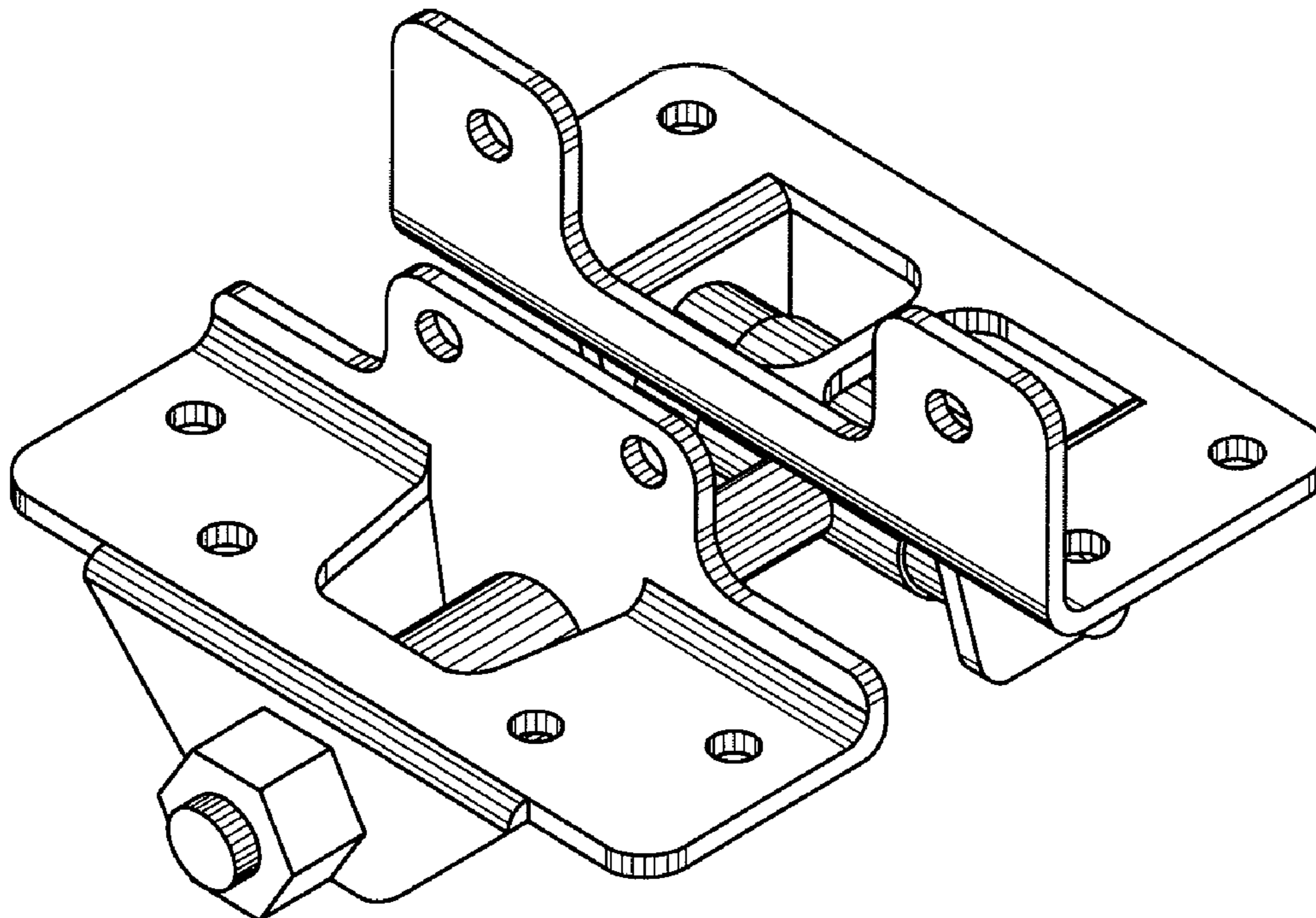
(57) **CLAIM**

The ornamental design for an adjustable hinge, as shown and described.

DESCRIPTION

FIG. 1 is a front elevation view of an adjustable hinge showing our new design;
FIG. 2 is a rear elevation view thereof;
FIG. 3 is a right side elevation view thereof;
FIG. 4 is a left side elevation view thereof;
FIG. 5 is a top plan view thereof; and
FIG. 6 is a bottom plan view thereof;
FIG. 7 is an isometric view thereof from the lower, left corner of FIG. 5; and,
FIG. 8 is an isometric view thereof from the lower, right corner of FIG. 6.

1 Claim, 4 Drawing Sheets



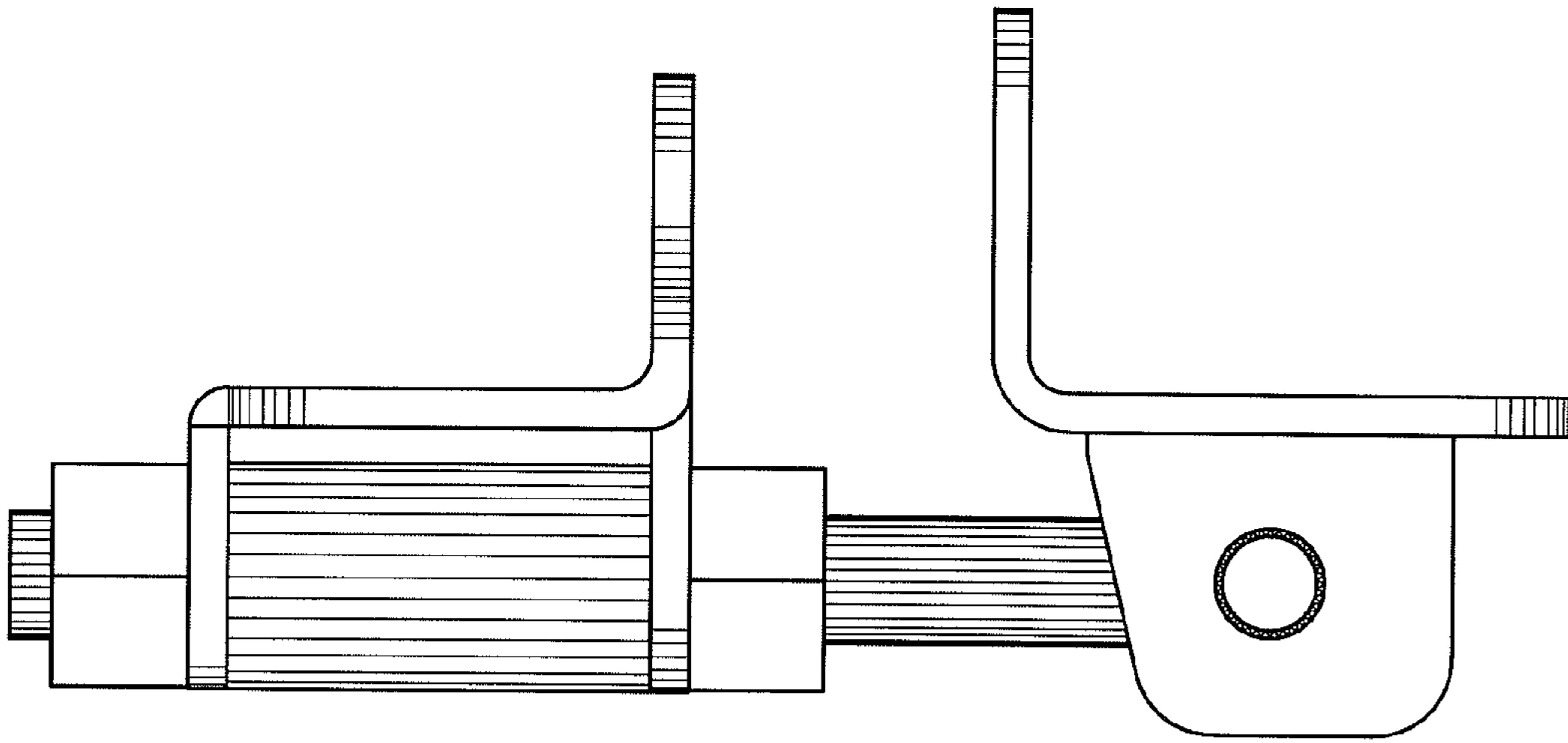


FIG. 1

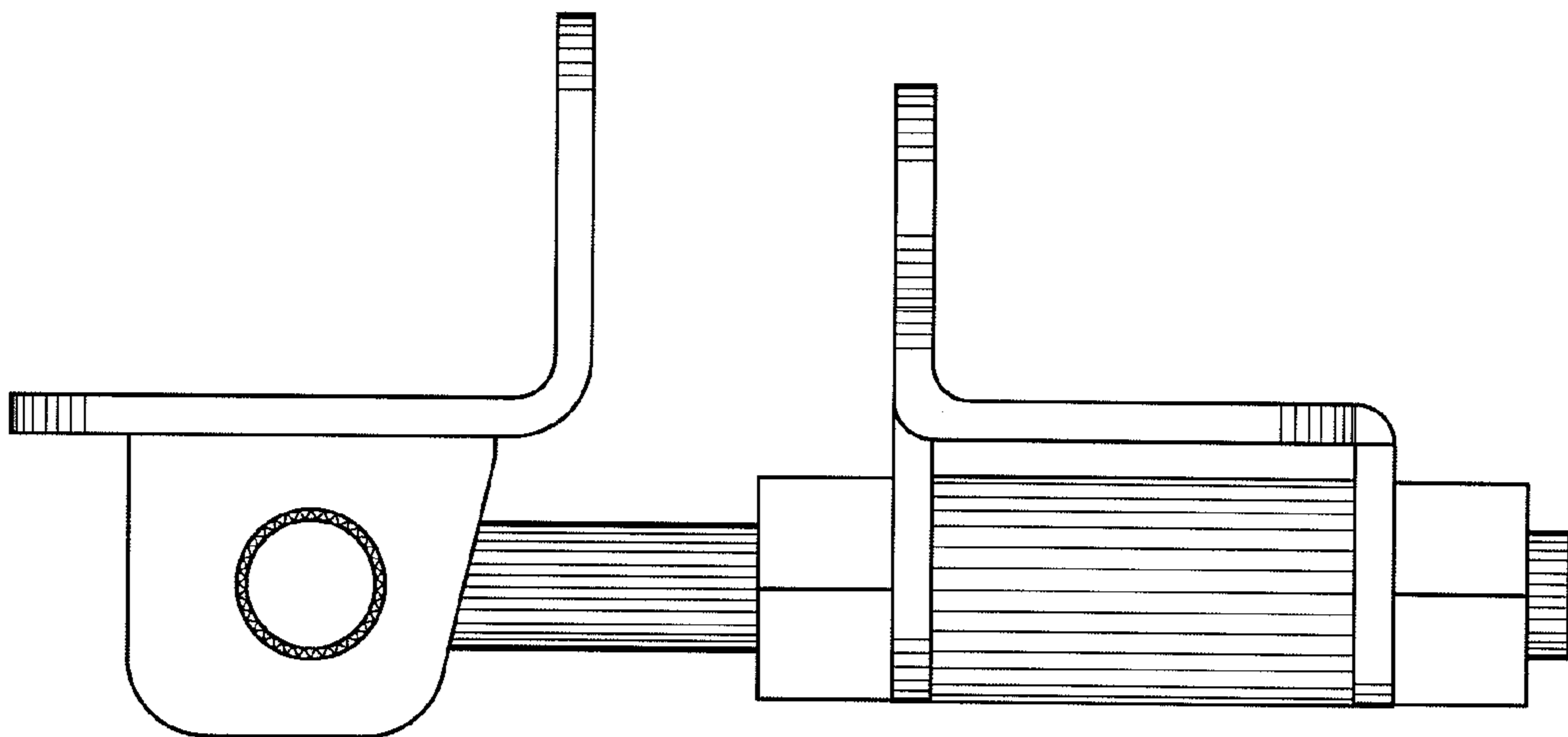


FIG. 2

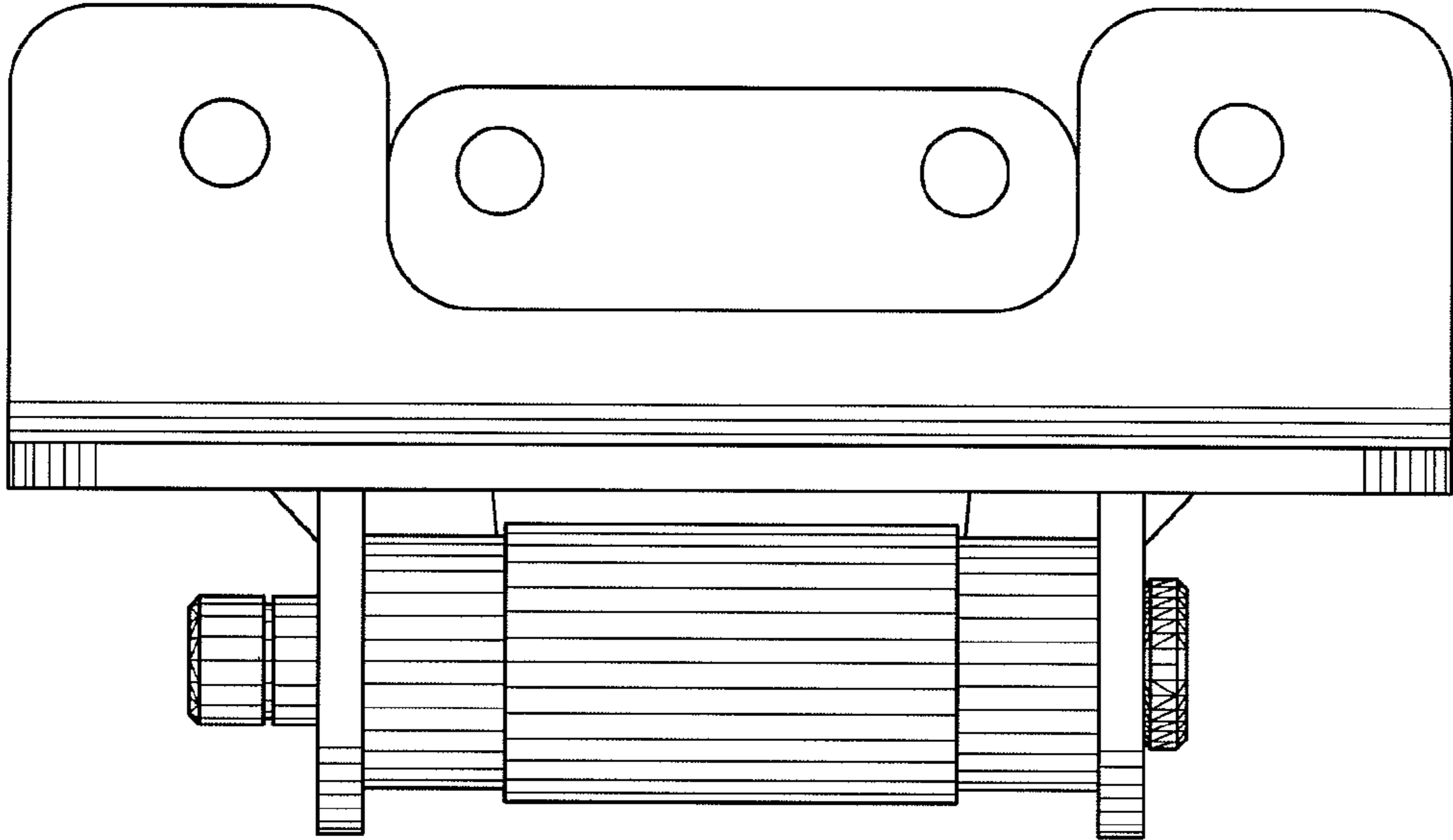


FIG. 3

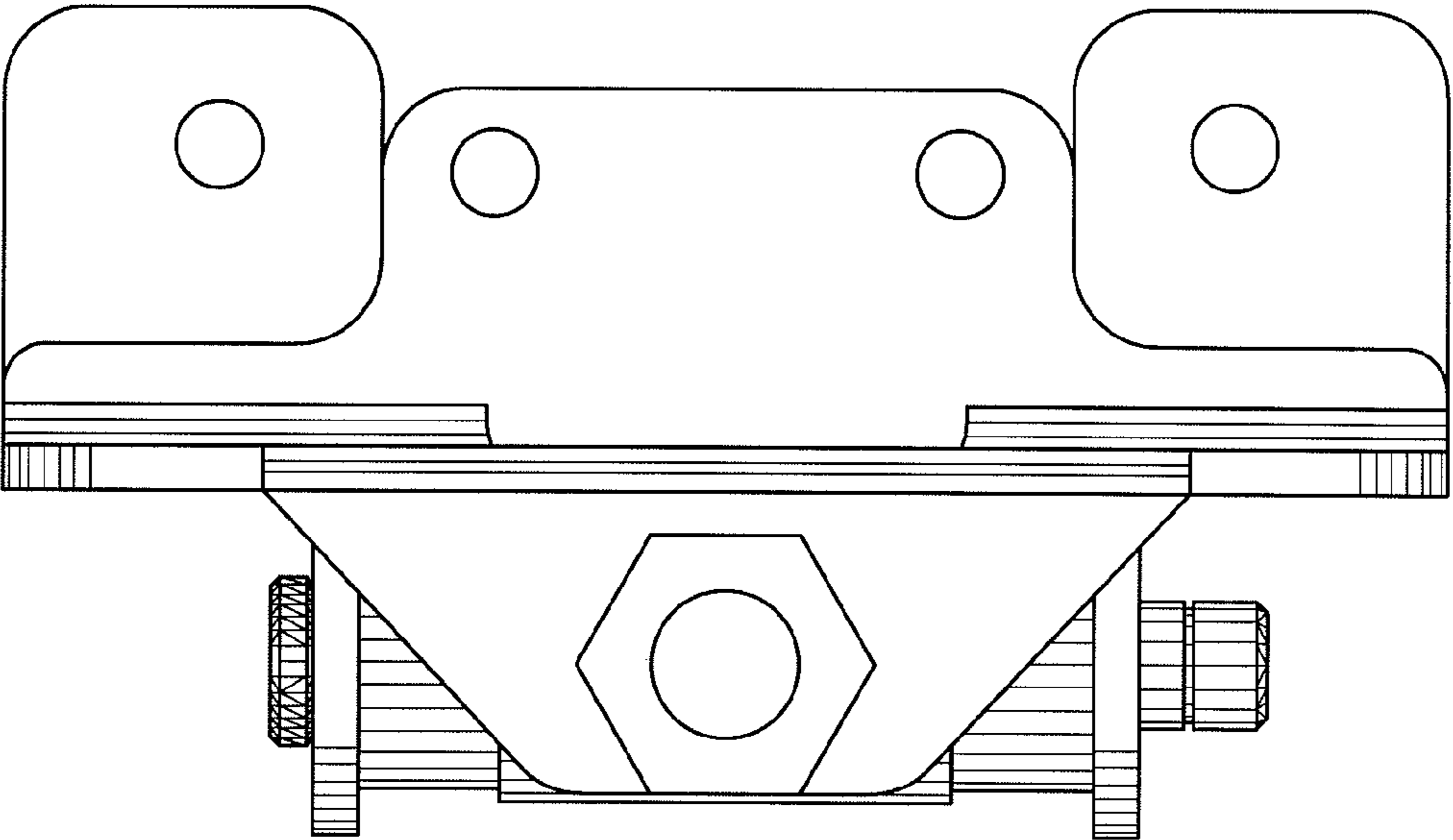


FIG. 4

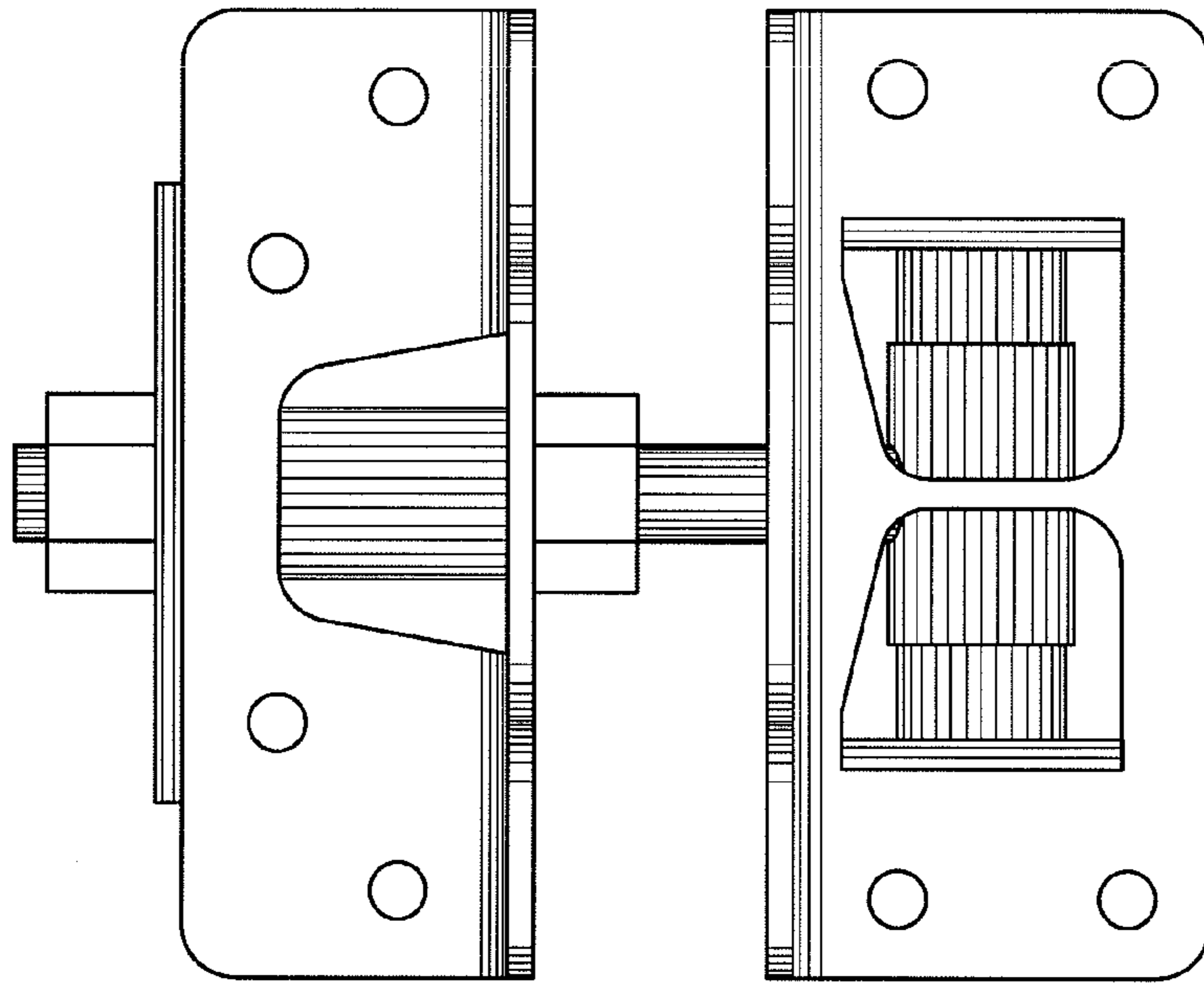


FIG. 5

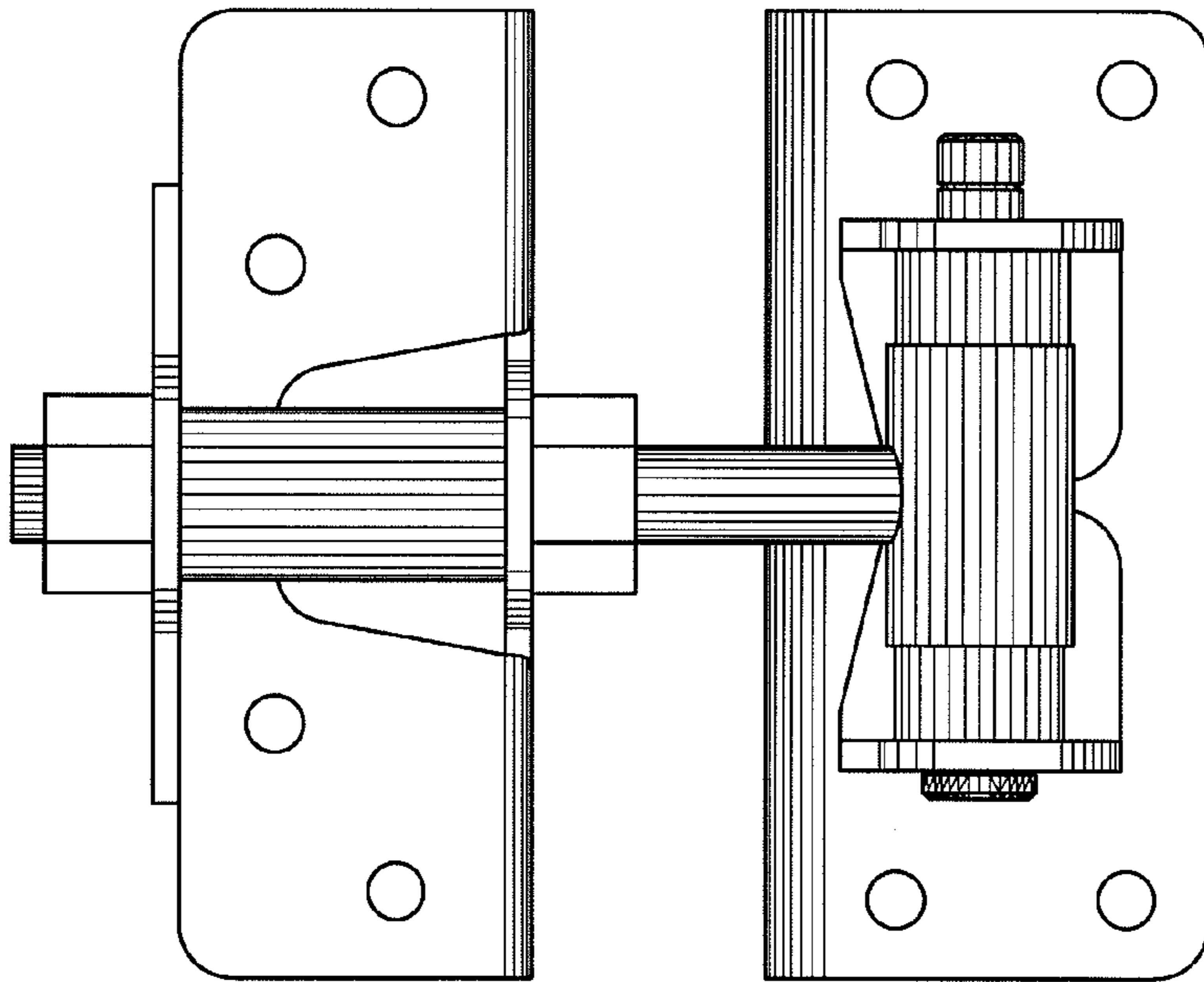


FIG. 6

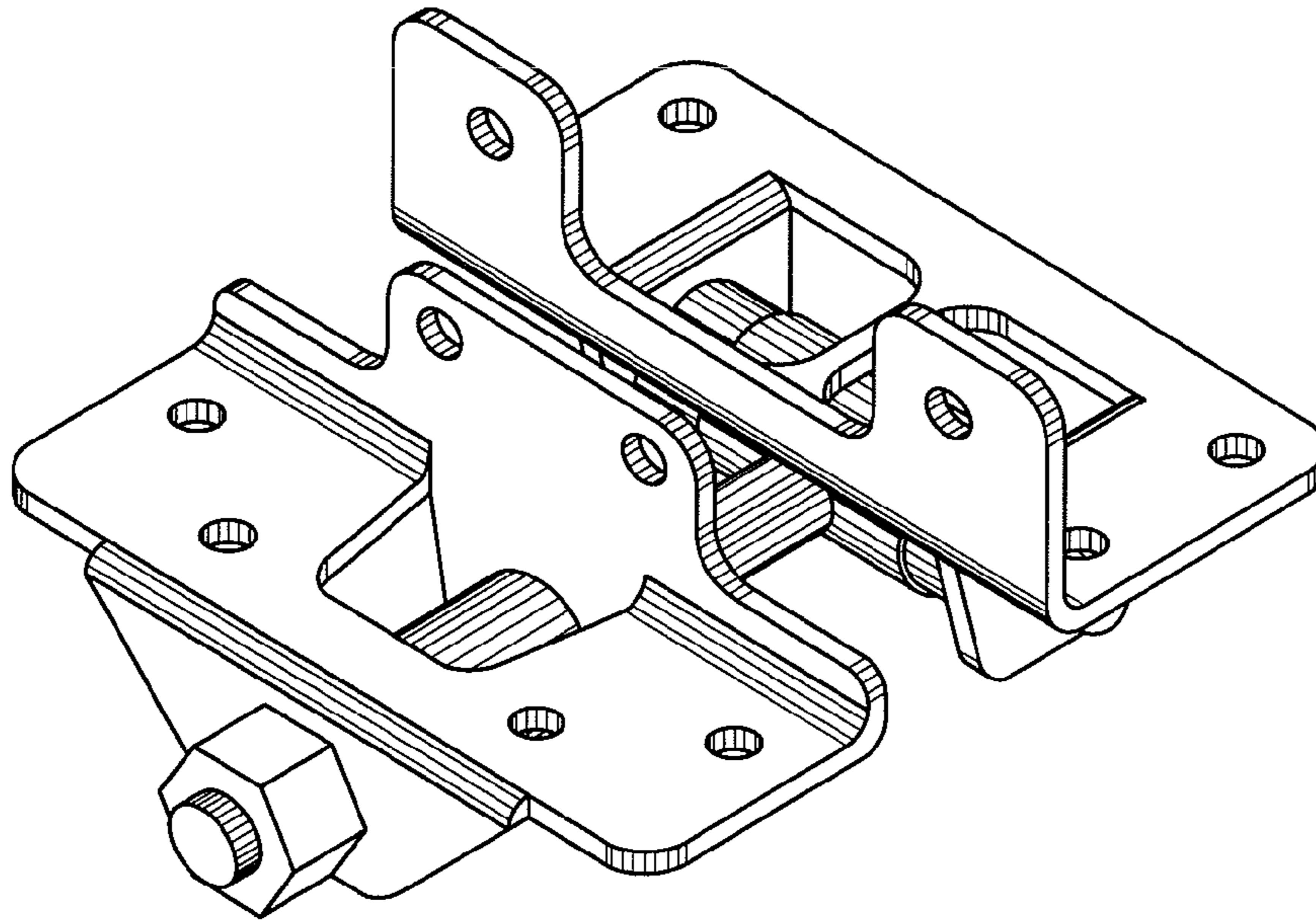


FIG. 7

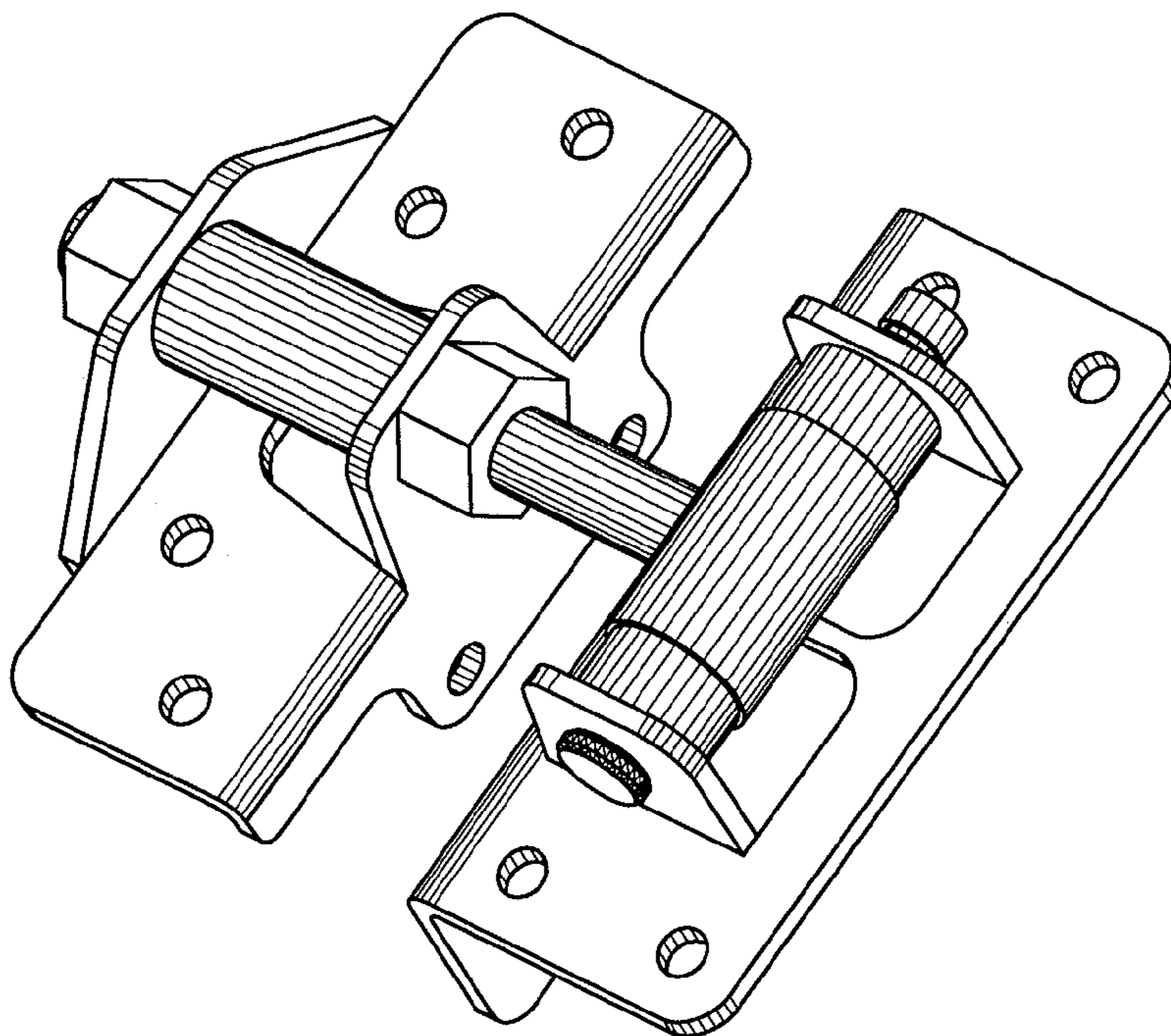


FIG. 8