



US00D727132S

(12) **United States Design Patent**
D’Aluisio

(10) **Patent No.:** **US D727,132 S**
(45) **Date of Patent:** **** Apr. 21, 2015**

- (54) **BICYCLE HANDLEBAR**
- (71) Applicant: **Specialized Bicycle Components, Inc.**,
Morgan Hill, CA (US)
- (72) Inventor: **Christopher P. D’Aluisio**, Corralitos,
CA (US)
- (73) Assignee: **Specialized Bicycle Components, Inc.**,
Morgan Hill, CA (US)

5,201,243	A	4/1993	Schneider	
5,280,735	A	1/1994	Kuipers et al.	
5,339,850	A	8/1994	Mertz	
5,598,744	A *	2/1997	Chen	74/551.1
5,819,594	A	10/1998	Sjovall	
5,893,297	A	4/1999	Rowe	
6,058,800	A	5/2000	Giard	
6,289,517	B1	9/2001	Minkow et al.	
D449,808	S	10/2001	Soto	
D499,055	S	11/2004	Chiang et al.	

(Continued)

(**) Term: **14 Years**

FOREIGN PATENT DOCUMENTS

(21) Appl. No.: **29/477,742**

JP	6-185599	6/1994
WO	WO 99/37473	7/1999

(22) Filed: **Dec. 26, 2013**

Primary Examiner — George D Kirschbaum

(51) **LOC (10) Cl.** **08-06**

Assistant Examiner — Kendra L Hamilton

(52) **U.S. Cl.**

(74) *Attorney, Agent, or Firm* — Knobbe, Martens, Olson & Bear, LLP

USPC **D8/303**

(58) **Field of Classification Search**

CPC B62K 21/12
 USPC D8/303, 300, 315, 312, 321, 306;
 74/551.1, 551.8, 551.9; 411/500;
 16/421, 430; D21/432, 682; D12/107,
 D12/111, 114, 117, 118

See application file for complete search history.

(57) **CLAIM**

The ornamental design for a bicycle handlebar, as shown and described.

DESCRIPTION

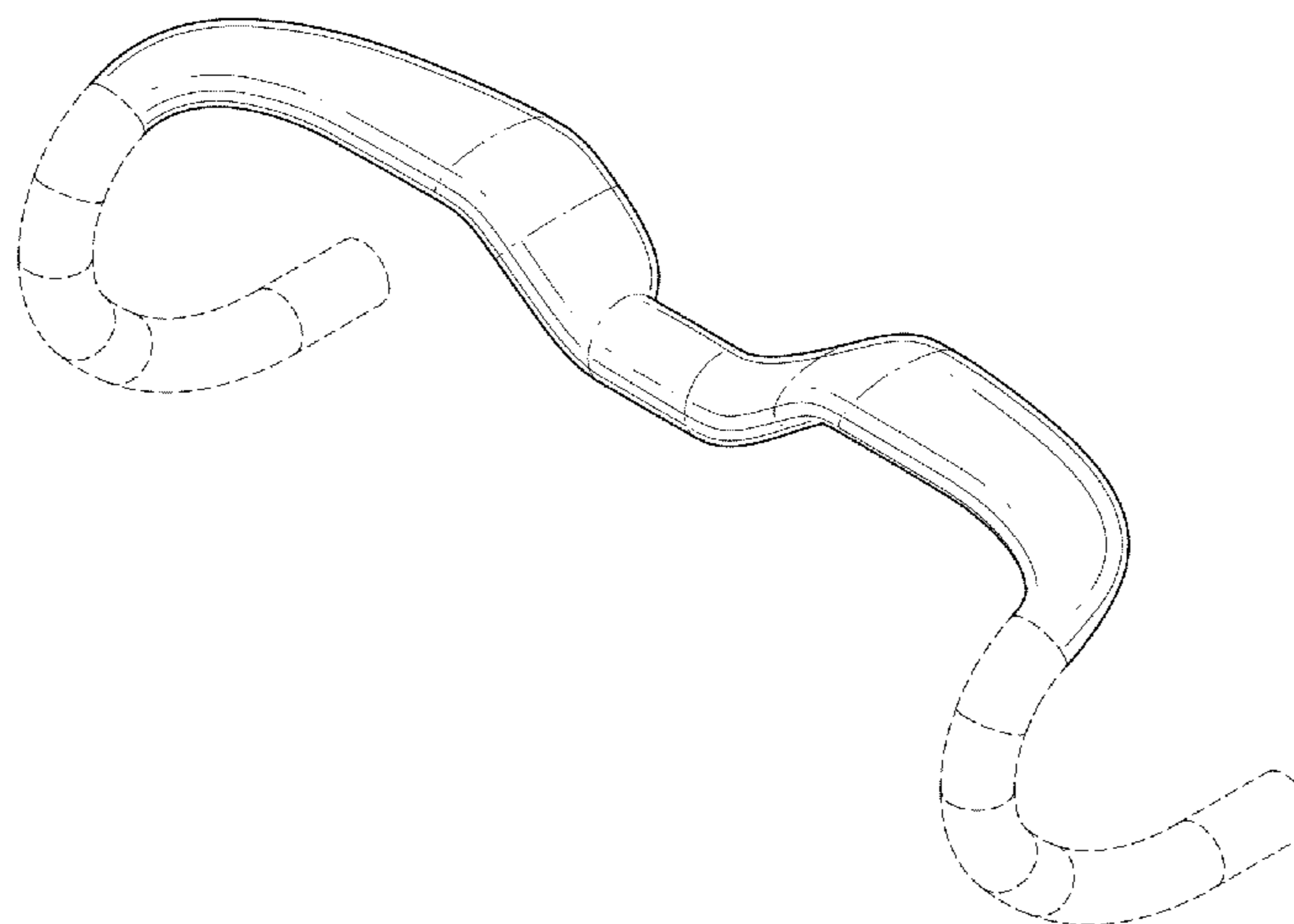
FIG. 1 is a top, front and side perspective view of a bicycle handlebar embodying my new design.
 FIG. 2 is a top, back and side perspective view thereof.
 FIG. 3 is a top view thereof.
 FIG. 4 is a bottom view thereof.
 FIG. 5 is a front view thereof.
 FIG. 6 is a back view thereof.
 FIG. 7 is a side view thereof, the opposite side being a mirror image; and,
 FIG. 8 is a top, front and side perspective view of the first embodiment connected to a bicycle frame.
 Broken lines are used to illustrate features of the bicycle handlebar and bicycle frame which form no part of the claimed design.

(56) **References Cited**

U.S. PATENT DOCUMENTS

1,616,021	A *	2/1927	Arzens	74/551.2
3,964,340	A	6/1976	Antonio et al.	
4,380,093	A	4/1983	Morgan	
D269,849	S	7/1983	Morgan	
4,503,729	A *	3/1985	Shimano	74/551.1
4,522,083	A	6/1985	Morgan	
4,794,815	A	1/1989	Borromeo	
4,930,798	A *	6/1990	Yamazaki et al.	280/261
4,934,024	A	6/1990	Sexton	
4,964,192	A	10/1990	Marui	
5,125,286	A	6/1992	Wilson	
5,131,289	A *	7/1992	Vansandt	74/551.8
5,144,859	A *	9/1992	Malone	74/551.3

1 Claim, 5 Drawing Sheets



(56)

References Cited

U.S. PATENT DOCUMENTS

D609,146 S	2/2010	Carmona					
D634,378 S *	3/2011	Iverson et al.	D21/694	2004/0089095 A1 *	5/2004	Chiang	74/551.1
D682,756 S *	5/2013	LaPorte et al.	D12/178	2004/0231451 A1	11/2004	Chiang et al.	
2003/0094067 A1 *	5/2003	Whiting et al.	74/551.1	2006/0219045 A1	10/2006	Schroeder et al.	
				2007/0137410 A1 *	6/2007	Chang	74/551.9
				2012/0304803 A1	12/2012	Meggiolan	
				2013/0298720 A1 *	11/2013	Lanz	74/551.8
				2014/0137698 A1 *	5/2014	Meggiolan	74/551.1

* cited by examiner

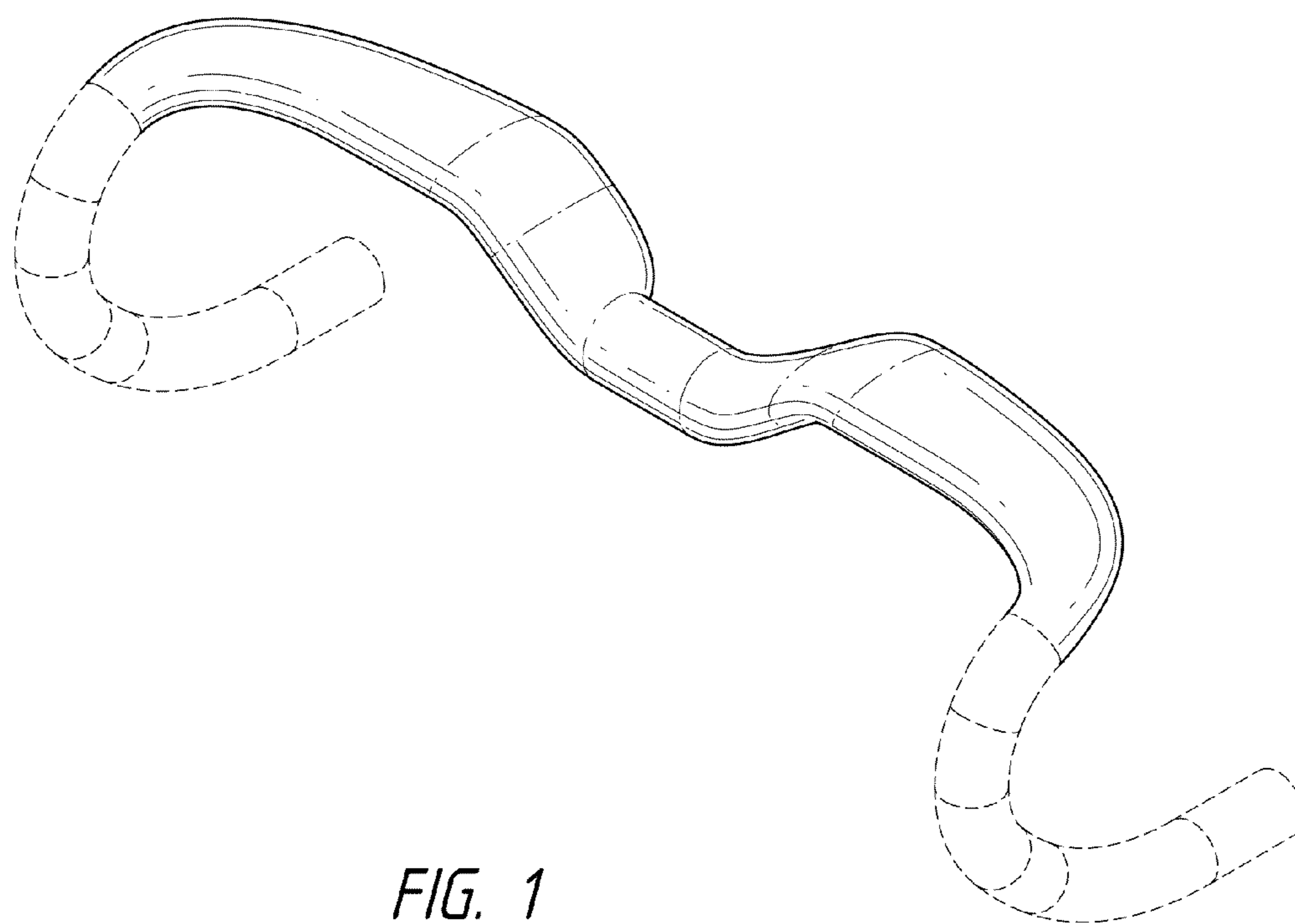


FIG. 1

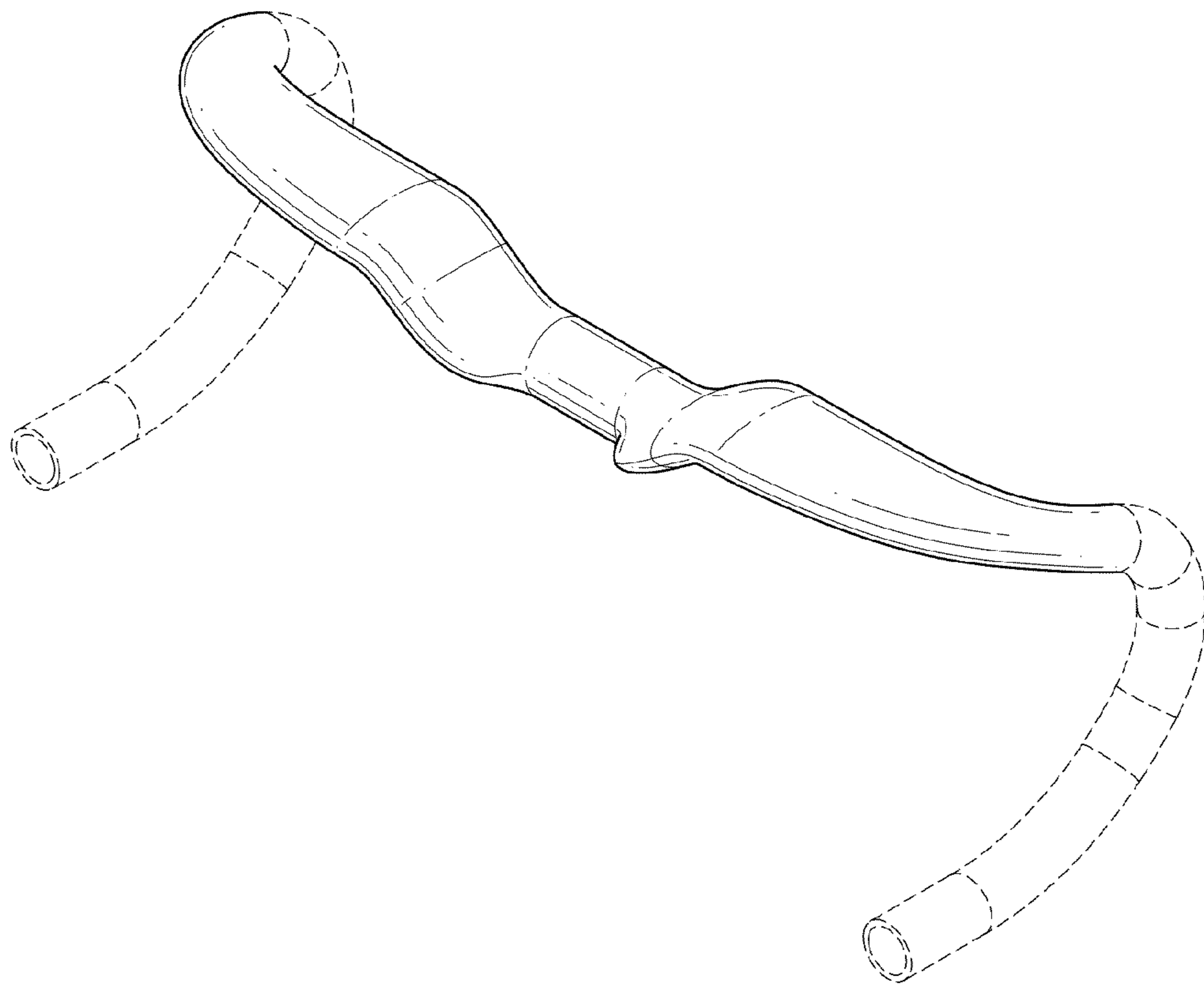


FIG. 2

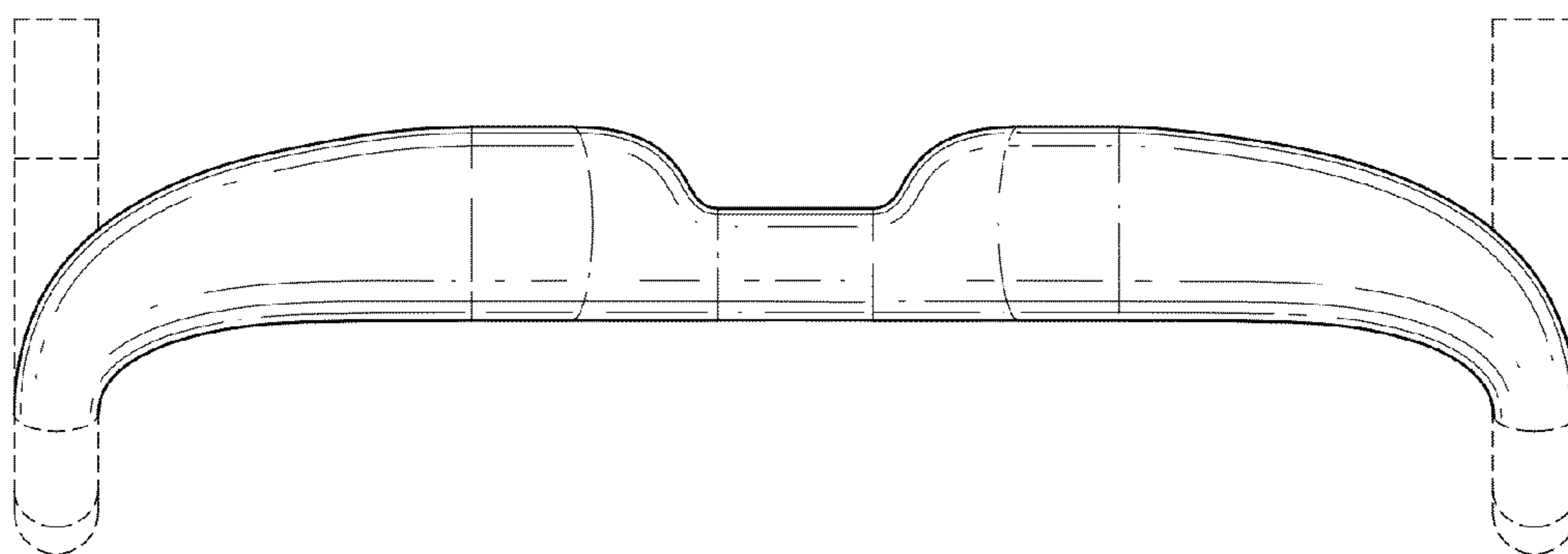


FIG. 3

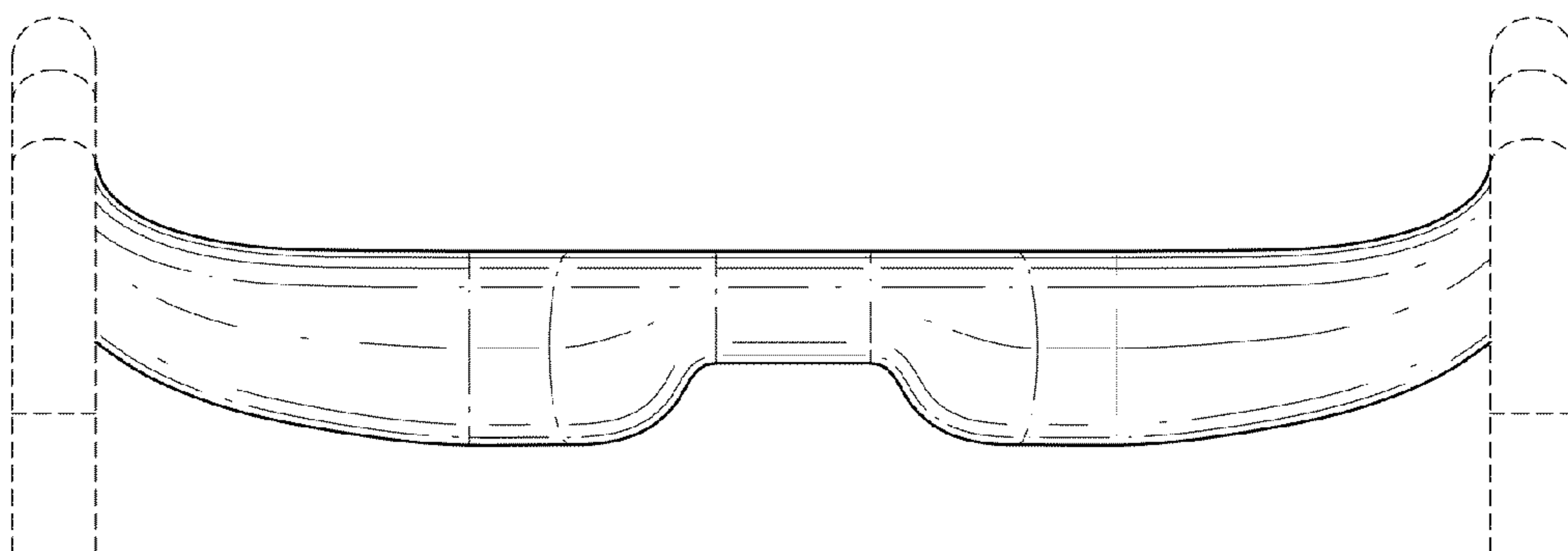


FIG. 4

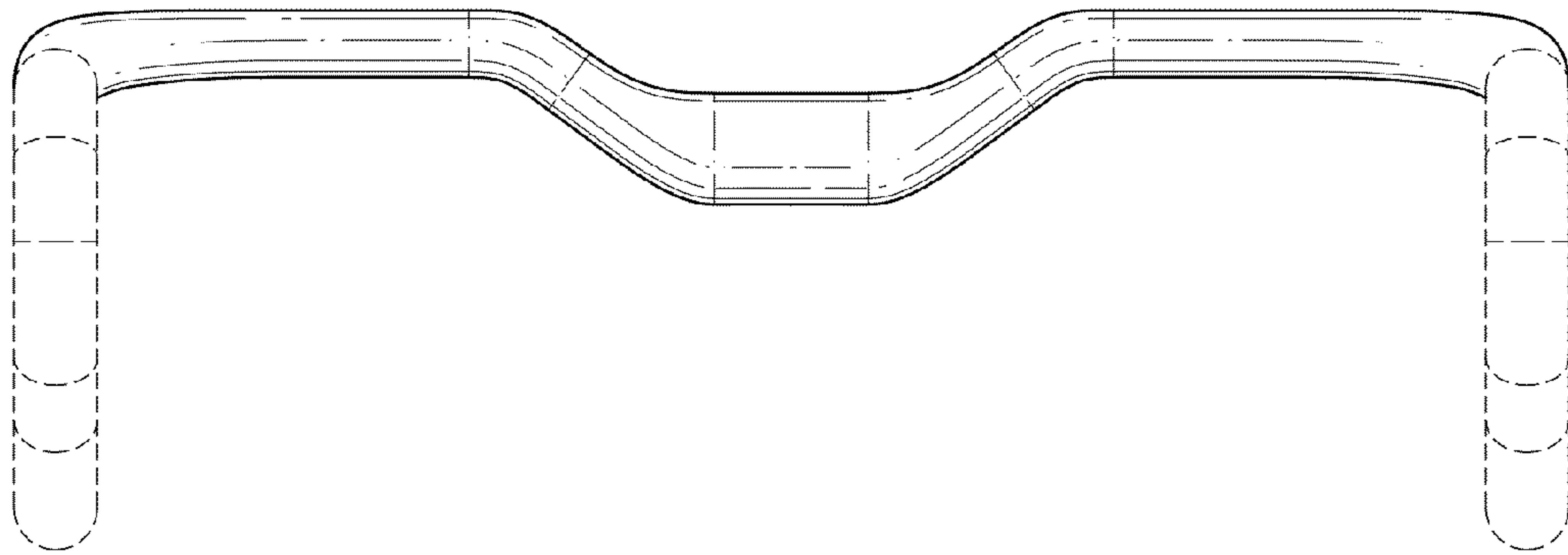


FIG. 5

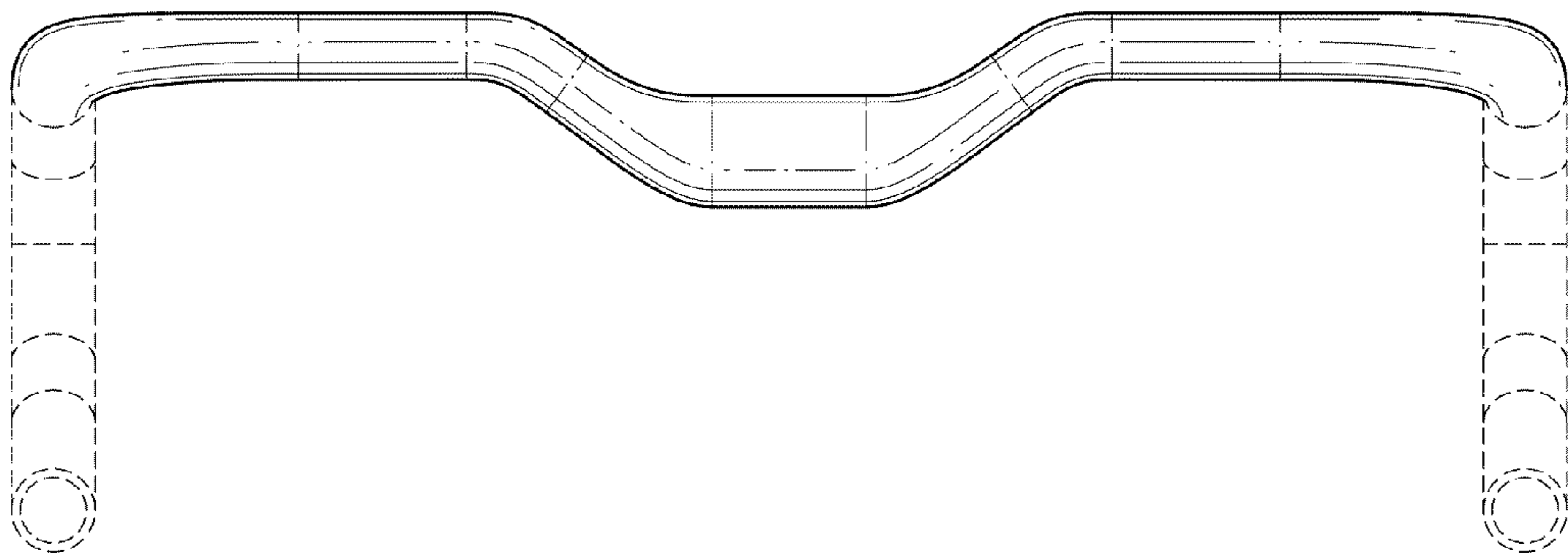


FIG. 6

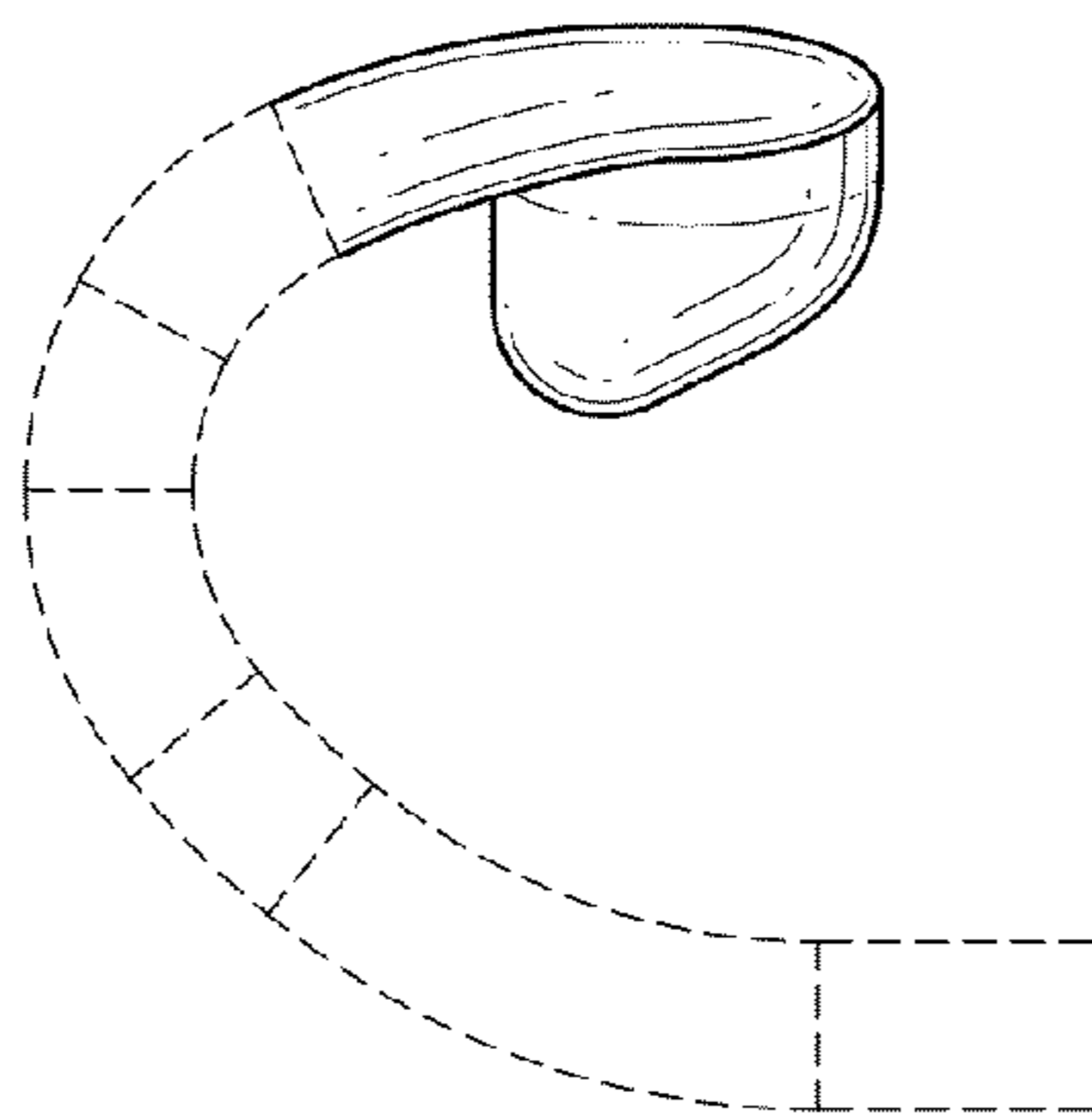


FIG. 7

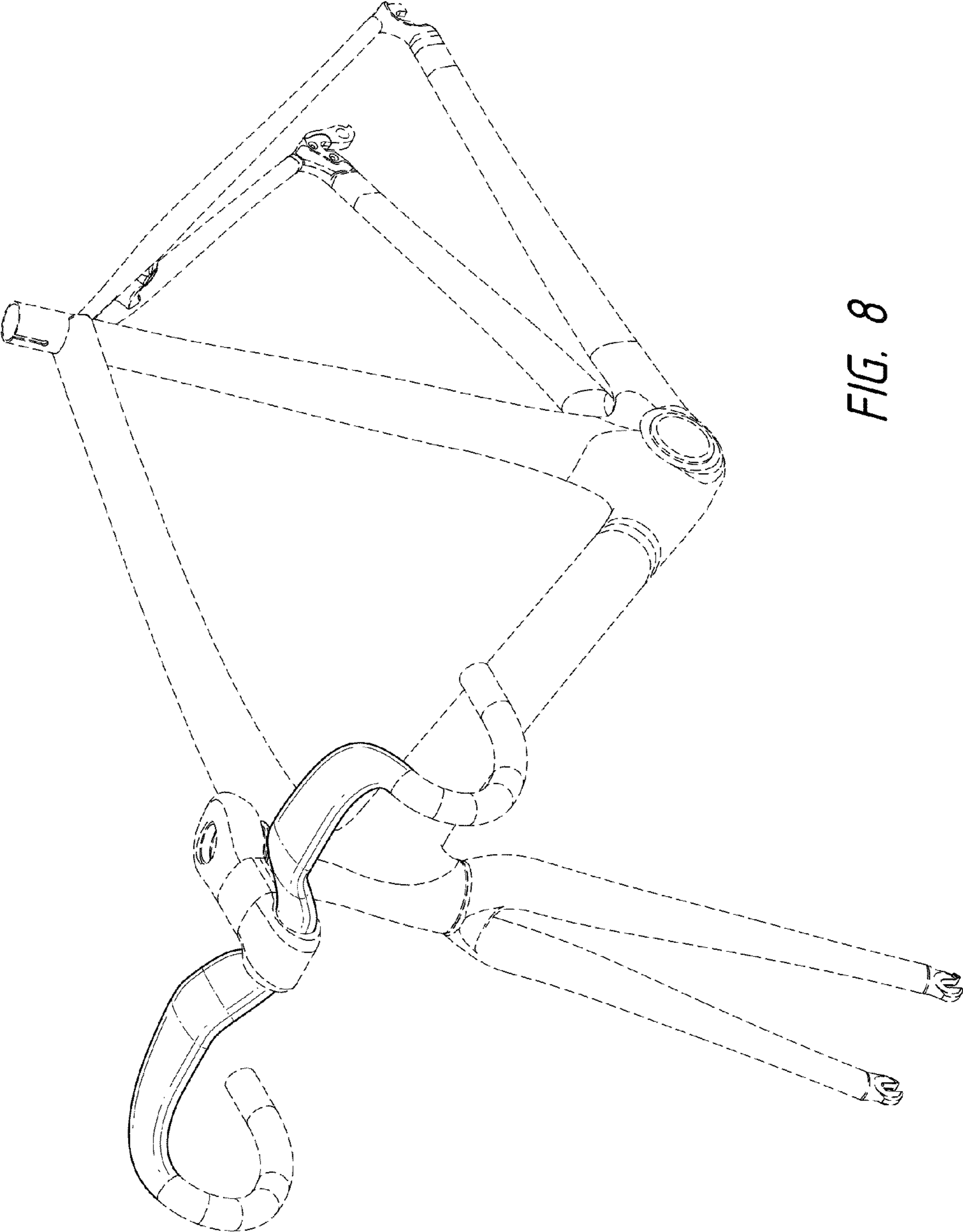


FIG. 8