



US00D727130S

(12) **United States Design Patent**
Robinson et al.

(10) **Patent No.:** **US D727,130 S**
(45) **Date of Patent:** **** Apr. 21, 2015**

(54) **TOOL HANDLE**

(71) Applicants: **Glenn Robinson**, Parkland, FL (US);
Francisco Molina, Sunrise, FL (US)

(72) Inventors: **Glenn Robinson**, Parkland, FL (US);
Francisco Molina, Sunrise, FL (US)

(73) Assignee: **IBT Holdings LLC**, Deerfield Beach,
FL (US)

(**) Term: **14 Years**

(21) Appl. No.: **29/442,565**

(22) Filed: **Mar. 25, 2013**

(51) **LOC (10) Cl.** **08-04**

(52) **U.S. Cl.**
USPC **D8/83**

(58) **Field of Classification Search**
USPC D8/82-87, 105, 107; 7/165, 167, 169;
81/177.1-177.7, 436, 438, 489
See application file for complete search history.

(56) **References Cited**

U.S. PATENT DOCUMENTS

D334,128 S *	3/1993	Gomas	D8/83
D376,528 S *	12/1996	Krapowicz	D8/82
D379,750 S *	6/1997	Thompson et al.	D8/83
D393,582 S *	4/1998	Amtenbrink et al.	D8/82
D403,939 S *	1/1999	Zurwelle	D8/87
D413,782 S *	9/1999	Krapowicz	D8/82
D419,847 S *	2/2000	Chen	D8/83

D425,387 S *	5/2000	Shiao	D8/82
D440,479 S *	4/2001	Hsiao	D8/82
D482,589 S *	11/2003	Rampen	D8/107
D503,080 S *	3/2005	Chen	D8/82
D508,192 S *	8/2005	Wang	D8/82
D538,129 S *	3/2007	Jansson et al.	D8/82
D616,278 S *	5/2010	Deguglimo et al.	D8/82
D658,025 S *	4/2012	Molina et al.	D8/83
D668,924 S *	10/2012	Molina et al.	D8/83
D669,332 S *	10/2012	Hoertnagl	D8/107
D671,813 S *	12/2012	Lin	D8/83
D686,899 S *	7/2013	Lin	D8/83

* cited by examiner

Primary Examiner — Philip S Hyder

Assistant Examiner — Roselynn Cody

(74) *Attorney, Agent, or Firm* — Dan DeLaRose

(57) **CLAIM**

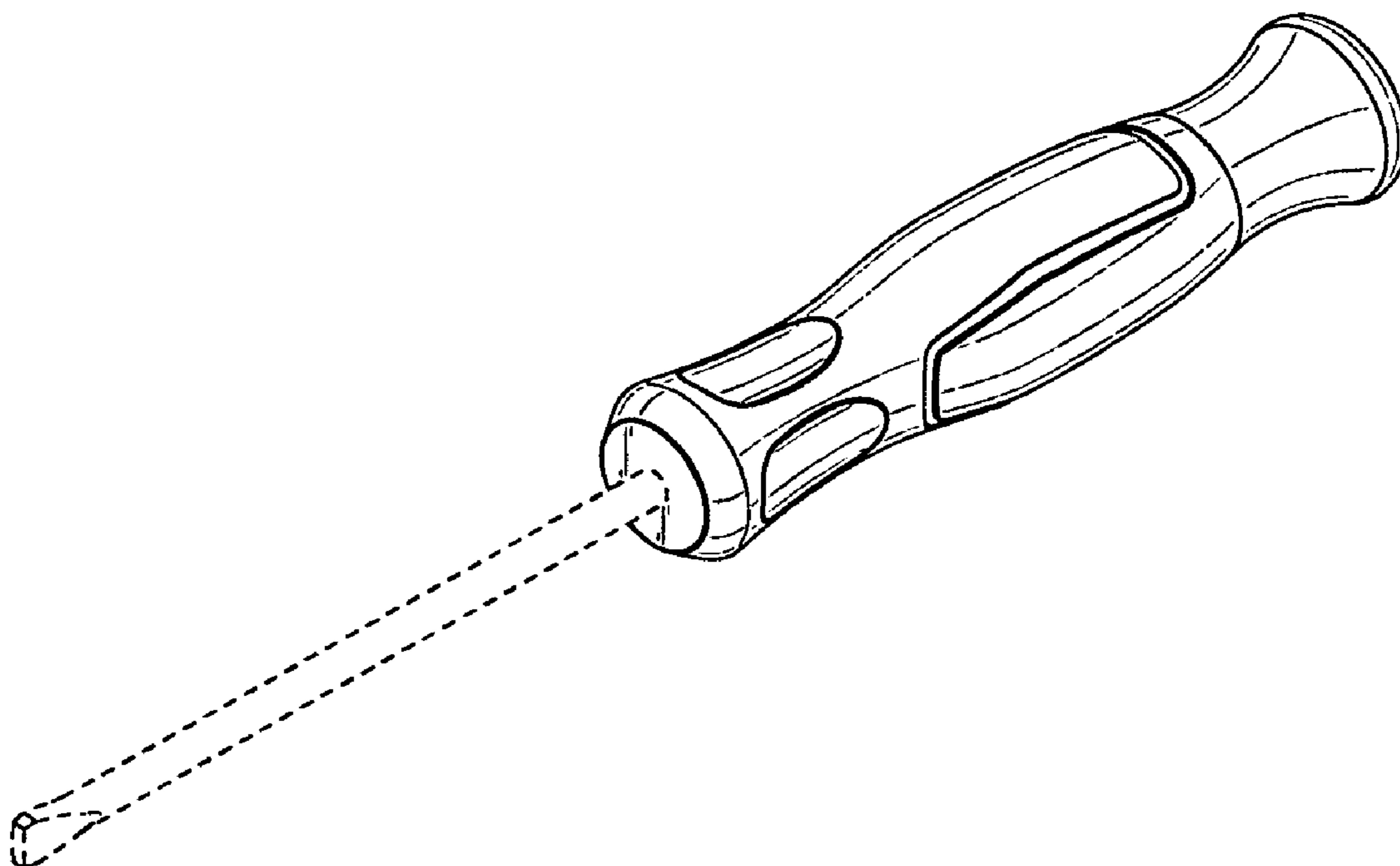
The ornamental design for a tool handle, as shown and described.

DESCRIPTION

FIG. 1 is a front perspective view of the tool handle of the present invention showing my new design; FIG. 2 is a front elevational view thereof; FIG. 3 is a back elevational view thereof; FIG. 4 is side elevational view thereof; FIG. 5 is another side elevational view thereof; FIG. 6 is a bottom plan view thereof; and, FIG. 7 is a top plan view thereof.

The broken lines in the drawings are directed to environment and form no part of the claim.

1 Claim, 4 Drawing Sheets



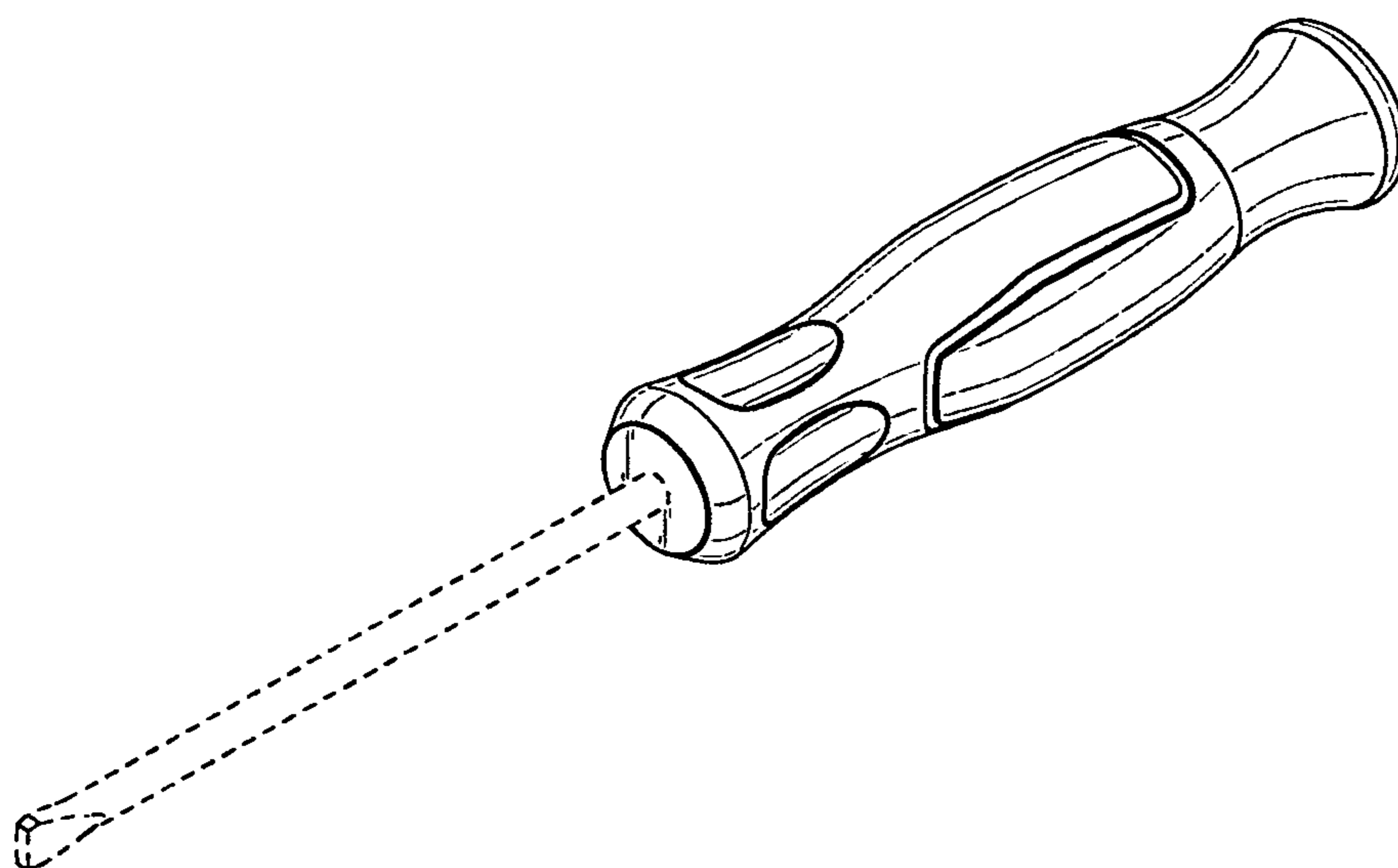


FIG. 1

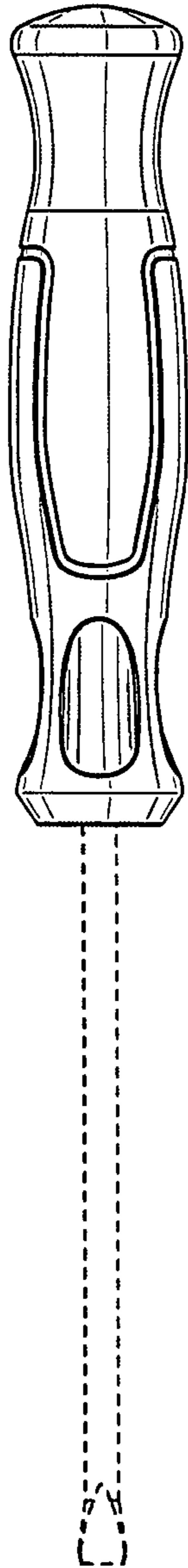


FIG. 2

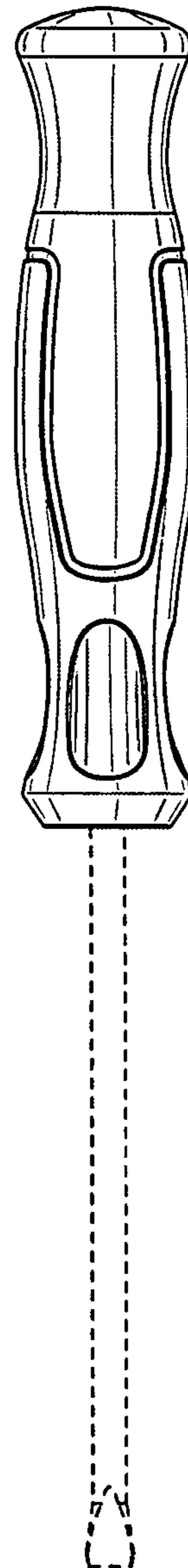


FIG. 3

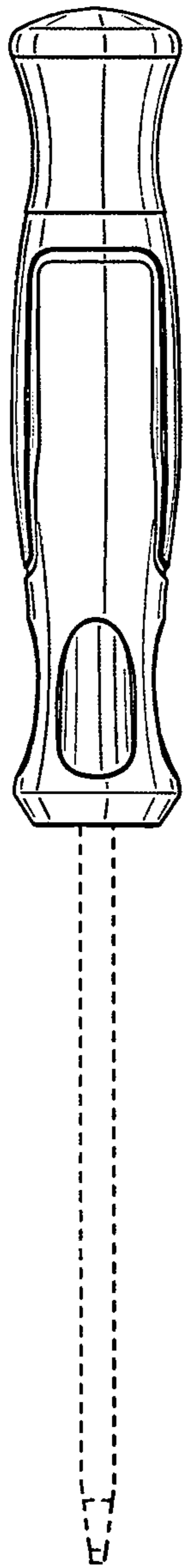


FIG. 4

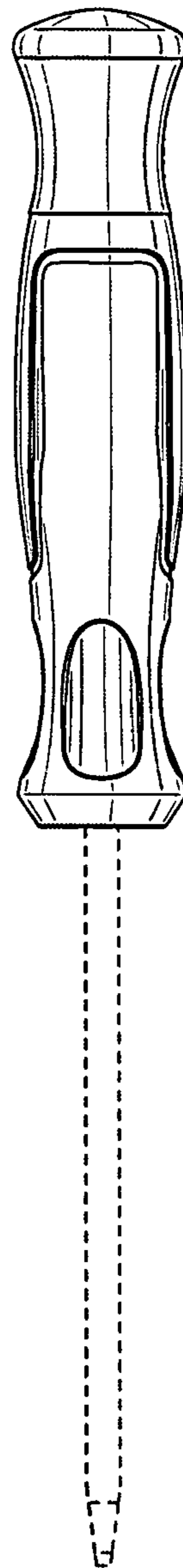


FIG. 5

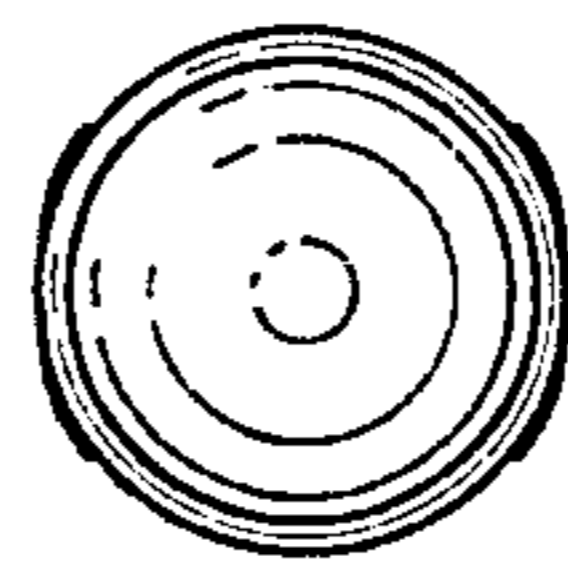


FIG. 6

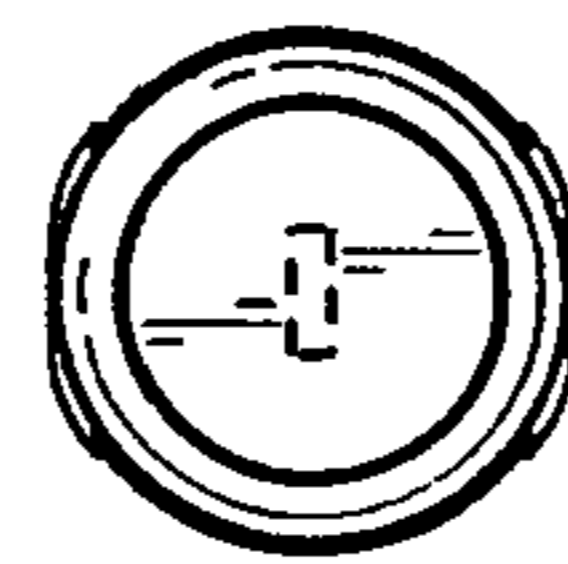


FIG. 7