



US00D727128S

(12) **United States Design Patent**
Bester et al.

(10) **Patent No.:** **US D727,128 S**
(45) **Date of Patent:** **** Apr. 21, 2015**

(54) **POWER CLAMP**

(71) Applicants: **Domengoes Bester**, Brits (ZA); **Jan Hendrik Meyer**, Brits (ZA)

(72) Inventors: **Domengoes Bester**, Brits (ZA); **Jan Hendrik Meyer**, Brits (ZA)

(73) Assignee: **Domengoes Bester**, Brits (ZA)

(**) Term: **14 Years**

(21) Appl. No.: **29/453,530**

(22) Filed: **Apr. 30, 2013**

(30) **Foreign Application Priority Data**

Nov. 21, 2012 (ZA) F2012/02022

(51) **LOC (10) Cl.** **08-05**

(52) **U.S. Cl.**
USPC **D8/72**

(58) **Field of Classification Search**

USPC D8/71-74, 394, 59; 248/72, 689, 124.2;
81/487; 269/3, 4, 6, 143, 165, 240,
269/243, 246-249, 254 R, 147-149; 29/256,
29/257, 276; 408/103, 104-109

See application file for complete search history.

(56) **References Cited**

U.S. PATENT DOCUMENTS

D435,416 S * 12/2000 Foley, Jr. D8/72
D448,657 S * 10/2001 Calvert D8/396

D536,607 S * 2/2007 Bekkevold D8/396
D537,334 S * 2/2007 Lee D8/396
D577,423 S * 9/2008 Dole D23/265
D584,604 S * 1/2009 Baldwin D8/396
7,764,150 B2 * 7/2010 Dale 333/255
7,819,448 B2 * 10/2010 Bates 294/101
8,038,106 B2 * 10/2011 Magno et al. 248/72
D672,229 S * 12/2012 Reid D8/396
D695,100 S * 12/2013 Whitaker et al. D8/396
D703,033 S * 4/2014 Karlsson D8/396
2004/0232608 A1 * 11/2004 Wong 269/249

* cited by examiner

Primary Examiner — David Muller

(74) *Attorney, Agent, or Firm* — Haugen Law Firm PLLP

(57) **CLAIM**

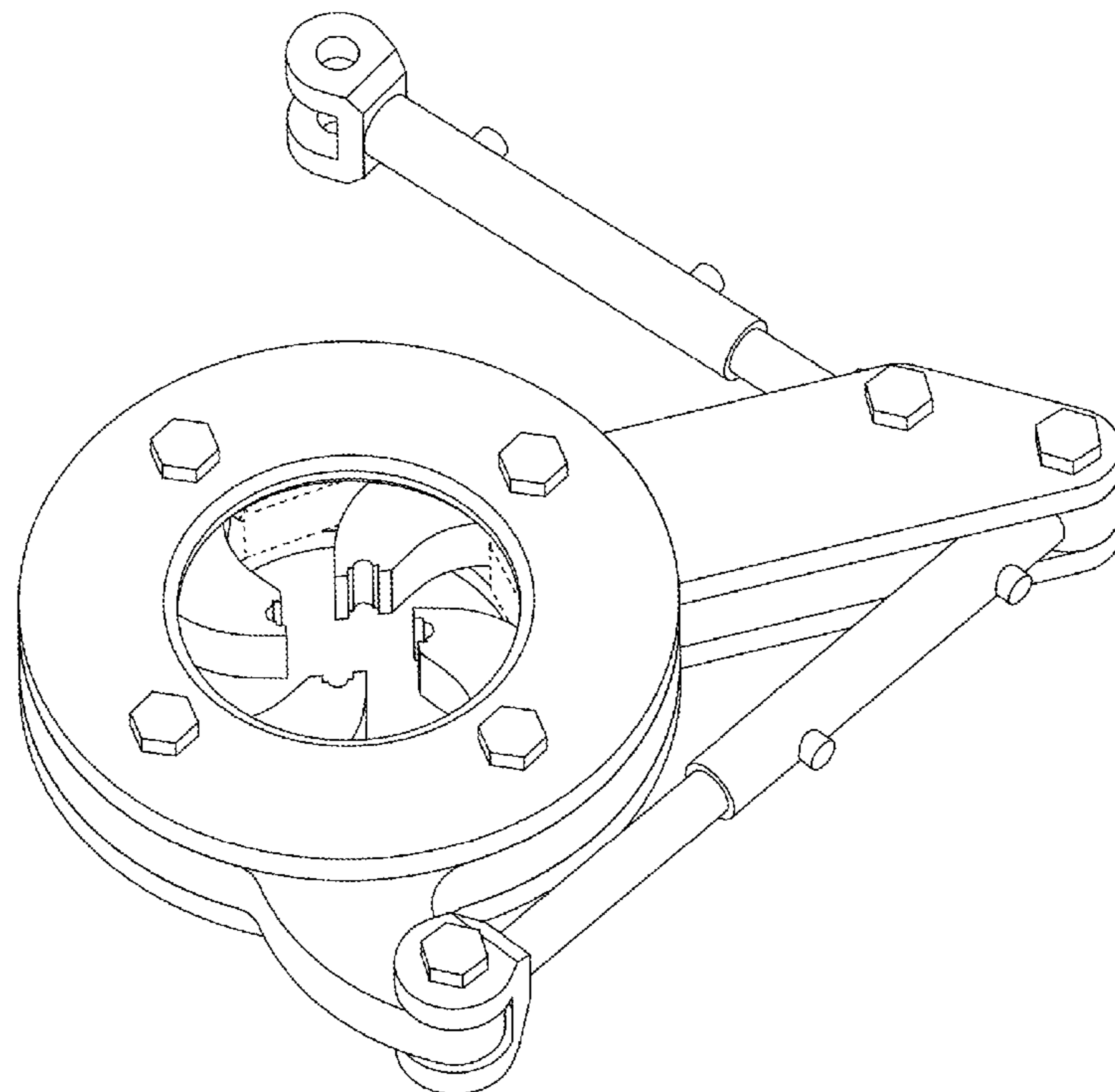
The ornamental design for a power clamp, as shown and described.

DESCRIPTION

FIG. 1 is a top perspective view of the design;
FIG. 2 is a front elevation view thereof;
FIG. 3 is a rear elevation view thereof;
FIG. 4 is a left side elevation view thereof;
FIG. 5 is a right side elevation view thereof;
FIG. 6 is a top plan view thereof; and,
FIG. 7 is a bottom plan view thereof.

The portions of the power clamp shown in broken lines depict environmental subject matter only and form no part of the claimed design.

1 Claim, 4 Drawing Sheets



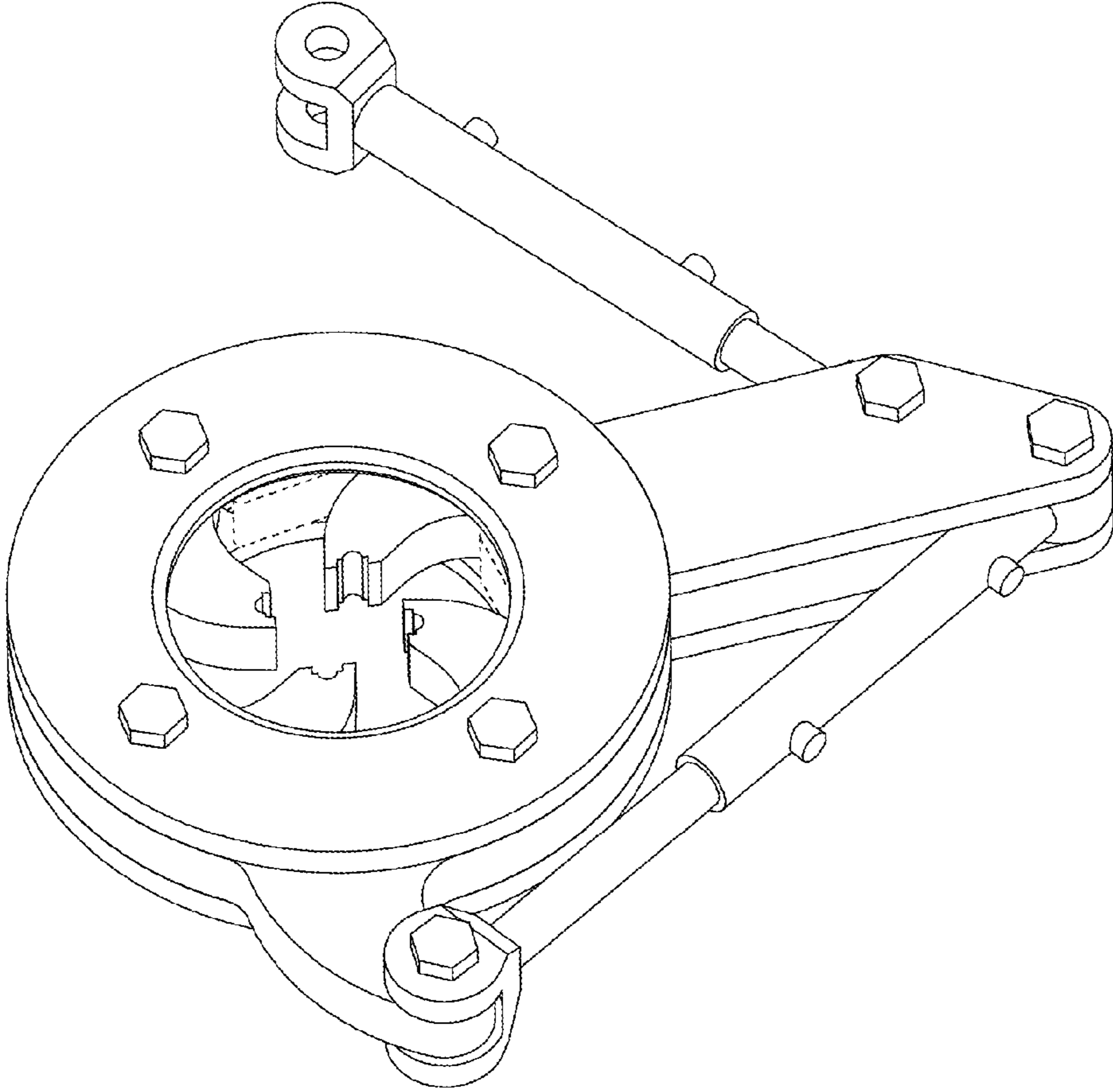


Fig. 1

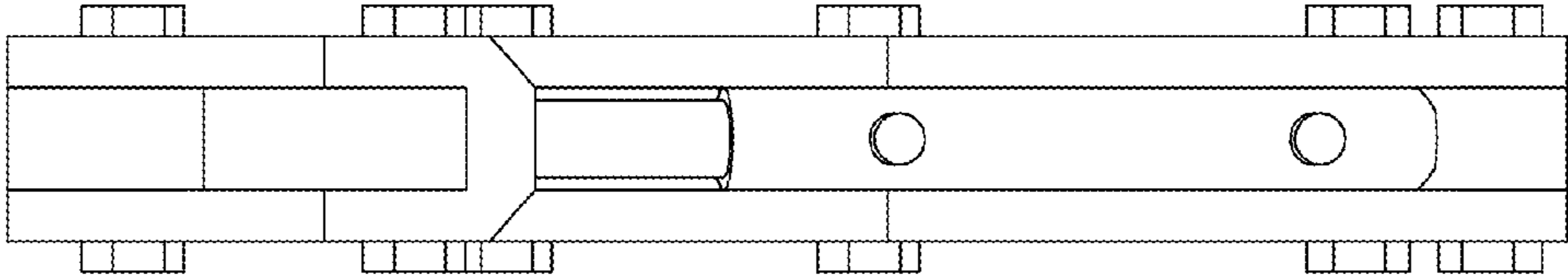


Fig. 2

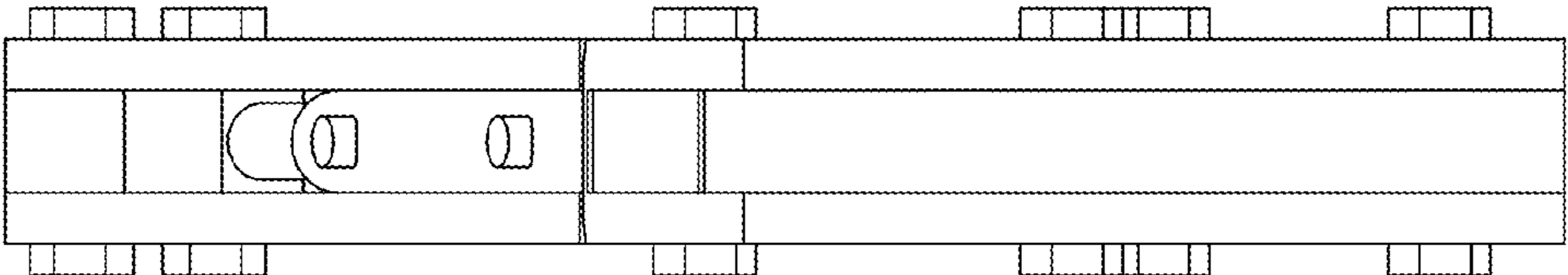


Fig. 3

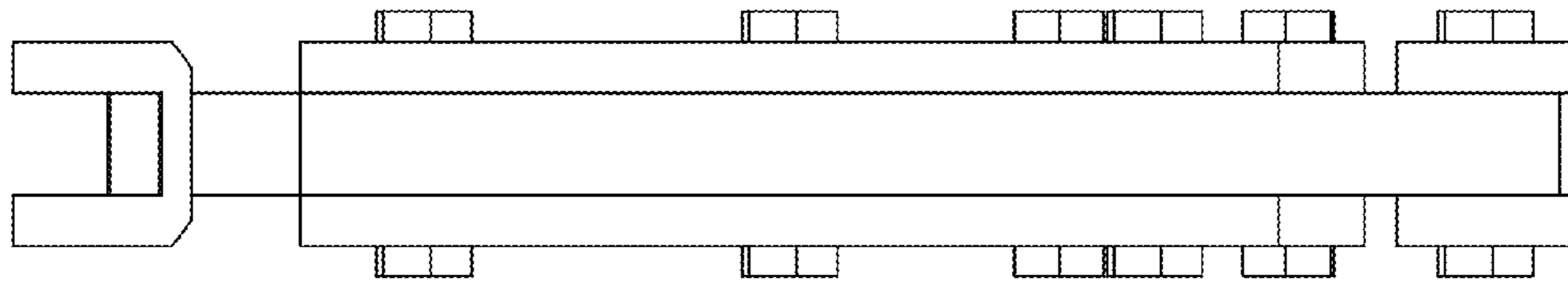


Fig. 4

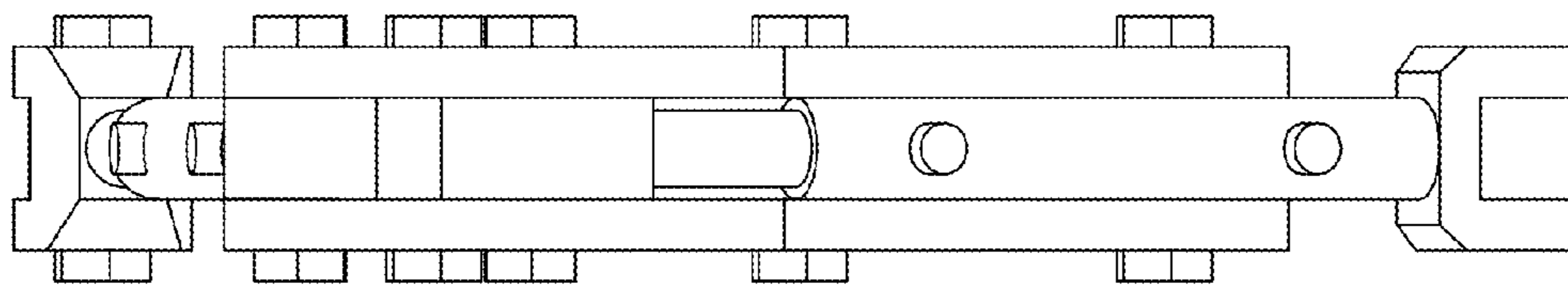


Fig. 5

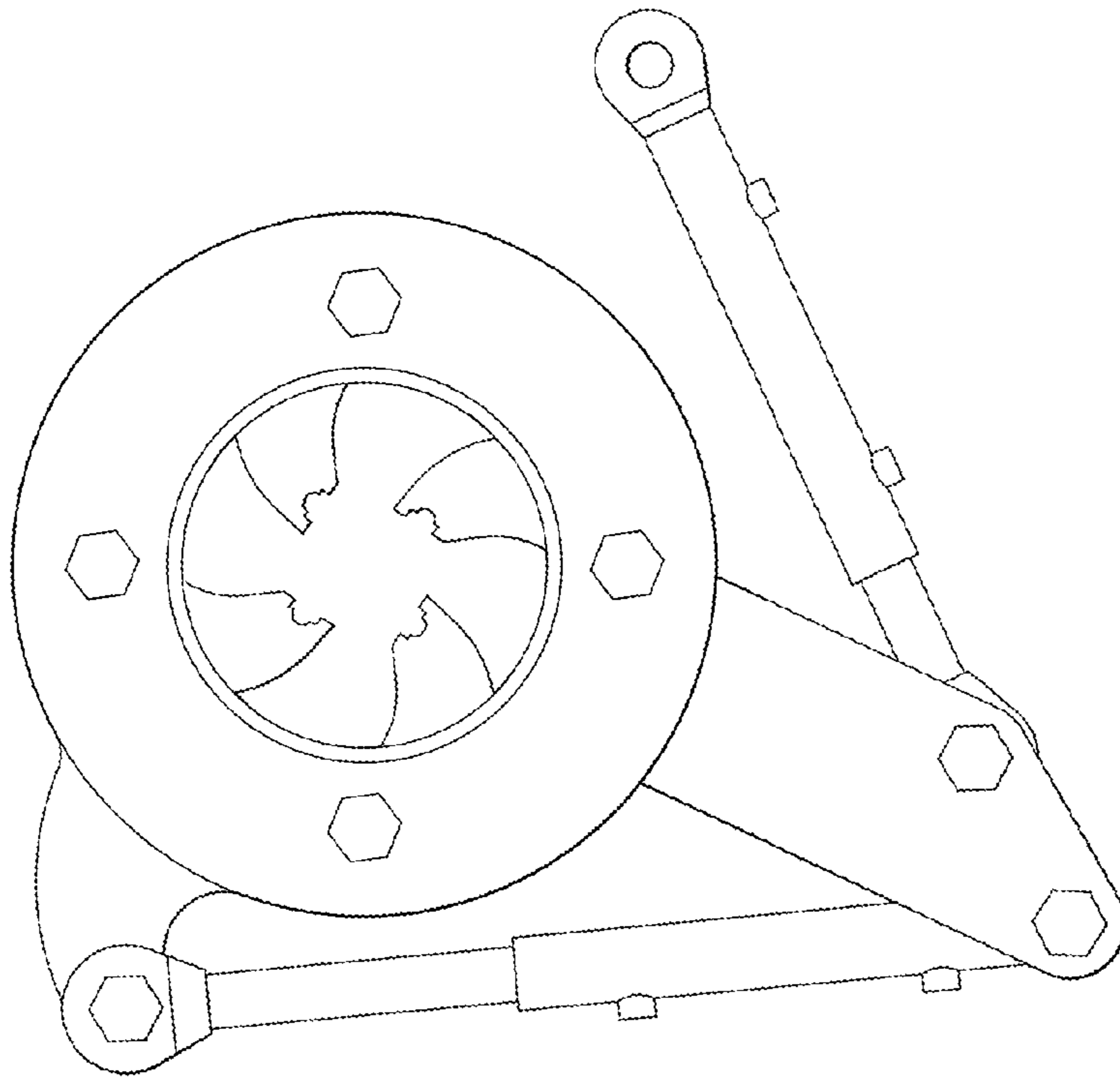


Fig. 6

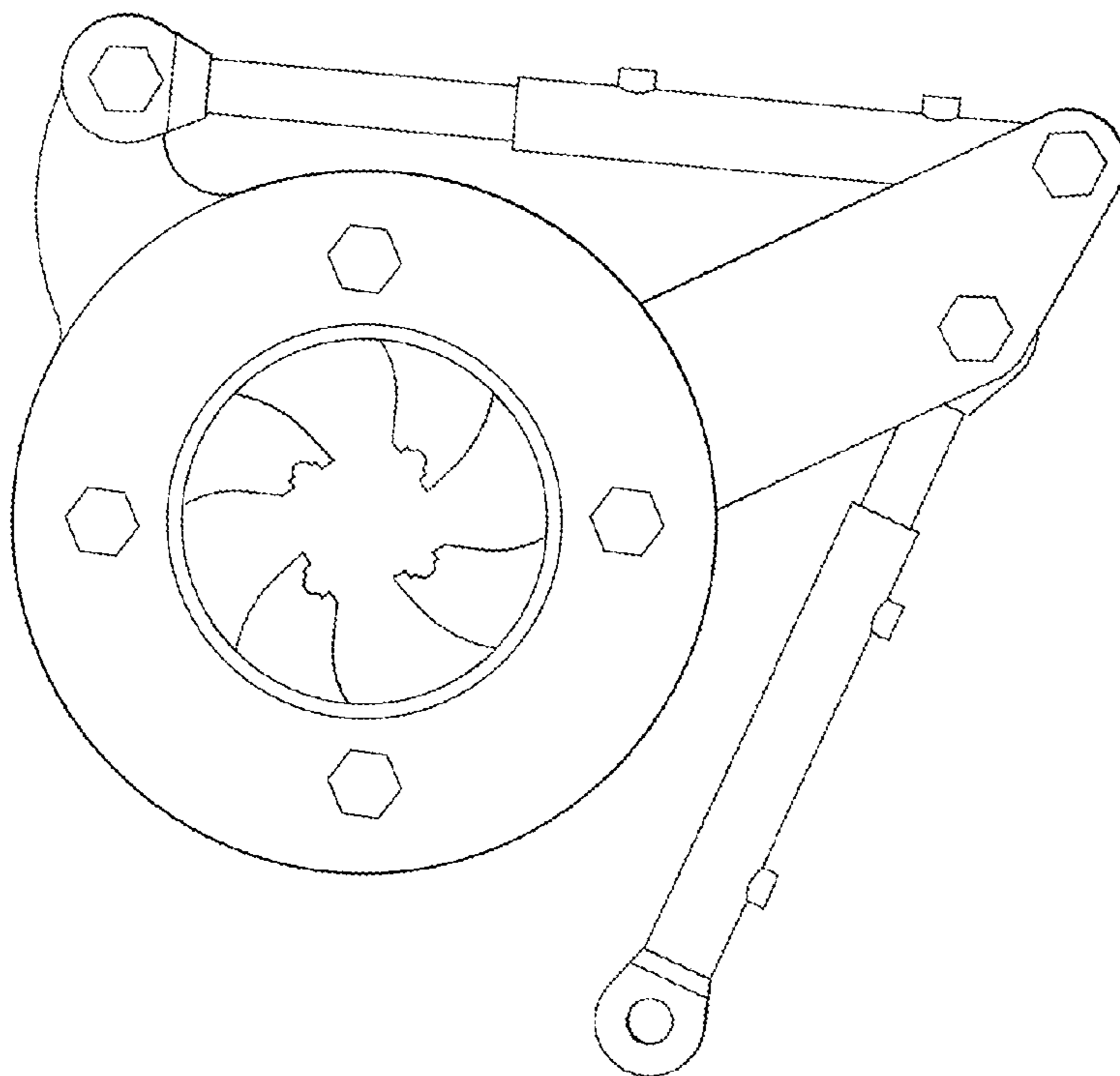


Fig. 7