



US00D727127S

(12) **United States Design Patent**  
**Schmid**

(10) **Patent No.:** **US D727,127 S**

(45) **Date of Patent:** **\*\* Apr. 21, 2015**

(54) **HONING TOOL**

(71) Applicant: **KADIA Produktion GmbH + Co.,**  
Nurtingen (DE)

(72) Inventor: **Jurgen R. Schmid,** Ammerbuch (DE)

(73) Assignee: **KADIA Produktion GmbH + Co.** (DE)

(\*\*) Term: **14 Years**

(21) Appl. No.: **29/451,835**

(22) Filed: **Apr. 9, 2013**

(30) **Foreign Application Priority Data**

Oct. 10, 2012 (DE) ..... 40 2012 004 664

(51) **LOC (10) Cl.** ..... **08-05**

(52) **U.S. Cl.**

USPC ..... **D8/70; D8/91; D15/140**

(58) **Field of Classification Search**

USPC ..... D8/70, 71, 85, 86, 90, 91; D15/139,  
D15/140; 81/429; 175/320, 324, 393, 415;  
279/60-64, 145, 157, 901-902;  
299/33; 408/239 R

See application file for complete search history.

(56) **References Cited**

**U.S. PATENT DOCUMENTS**

1,944,662 A \* 1/1934 Kern ..... 451/478  
1,991,220 A \* 2/1935 Johnson ..... 451/477  
2,313,442 A \* 3/1943 Kline ..... 451/481  
4,075,794 A \* 2/1978 Blaylock ..... 451/472

(Continued)

**FOREIGN PATENT DOCUMENTS**

DE 3642258 A1 6/1988  
DE 4210928 C2 10/1993

(Continued)

**OTHER PUBLICATIONS**

“Honing tool for small two-strokes.” SAE International., Sep. 17, 2009 [online], [retrieved on Nov. 23, 2014]. Retrieved from the Internet <URL: <http://articles.sae.org/6927/>>.\*

(Continued)

*Primary Examiner* — Philip S Hyder

*Assistant Examiner* — Darlington Ly

(74) *Attorney, Agent, or Firm* — Akerman LLP

(57) **CLAIM**

The ornamental design for a honing tool, as shown and described.

**DESCRIPTION**

FIG. 1 is a top, rear, and left-side perspective view of a first embodiment of the honing tool;

FIG. 2 is a right-side elevation view thereof;

FIG. 3 is a left-side elevation view thereof;

FIG. 4 is a bottom plan view;

FIG. 5 is a top plan view;

FIG. 6 is a rear elevation view; and

FIG. 7 is a front elevation view thereof.

FIG. 8 is a top, rear, and left-side perspective view of a second embodiment of the honing tool;

FIG. 9 is a right-side elevation view thereof;

FIG. 10 is a left-side elevation view thereof;

FIG. 11 is a bottom plan view thereof;

FIG. 12 is a top plan view thereof;

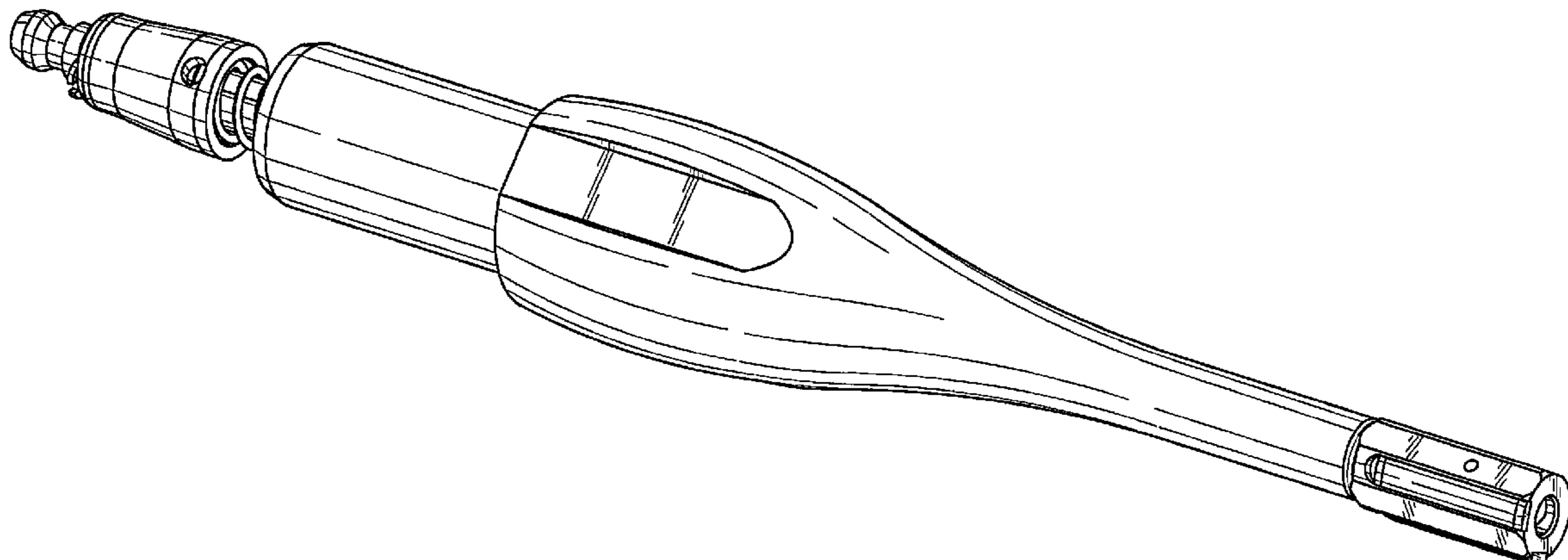
FIG. 13 is a rear elevation view thereof; and,

FIG. 14 is a front elevation view thereof.

The second embodiment of the honing tool shown FIGS. 8-14 differs from the first embodiment shown in FIGS. 1-7 only in that the middle part of the honing tool is made of a different material than the rest of the tool, whereas in the first embodiment the tool is made of one material. All other surfaces are the same in both embodiments.

The broken lines shown in the drawings illustrate portions of the honing tool that forms no part of the claimed design.

**1 Claim, 12 Drawing Sheets**



(56)

References Cited

OTHER PUBLICATIONS

U.S. PATENT DOCUMENTS

D250,452 S \* 12/1978 Heischman ..... D8/91  
D329,795 S \* 9/1992 Bird et al. .... D8/70  
5,390,448 A \* 2/1995 Schimweg ..... 451/478  
D457,046 S \* 5/2002 Boyle et al. .... D8/70  
D540,644 S \* 4/2007 Song ..... D8/70  
D589,319 S \* 3/2009 Peters ..... D8/70  
D609,073 S \* 2/2010 Lin ..... D8/70  
2003/0194957 A1 \* 10/2003 Schulz et al. .... 451/180  
2014/0113535 A1 \* 4/2014 Baumgartner et al. .... 451/540

FOREIGN PATENT DOCUMENTS

DE 102006007704 A1 8/2007  
DE 202009007230 U1 10/2010

“Honing tools with Honing sleeves.” PWG Diamond Tools for honing and deburring., Mar. 18, 2011 [online], [retrieved on Nov. 23, 2014]. Retrieved from the Internet <URL: <http://www.pwg-leutkirch.de/en/index.php?pg=huelsen-und-honwerkzeuge.php>>.\*  
“Honen in Highspeed”, Degen Maschinenbau GmbH, AMB-Fair, Sep. 18-22, 2012, Stuttgart, Germany.

\* cited by examiner

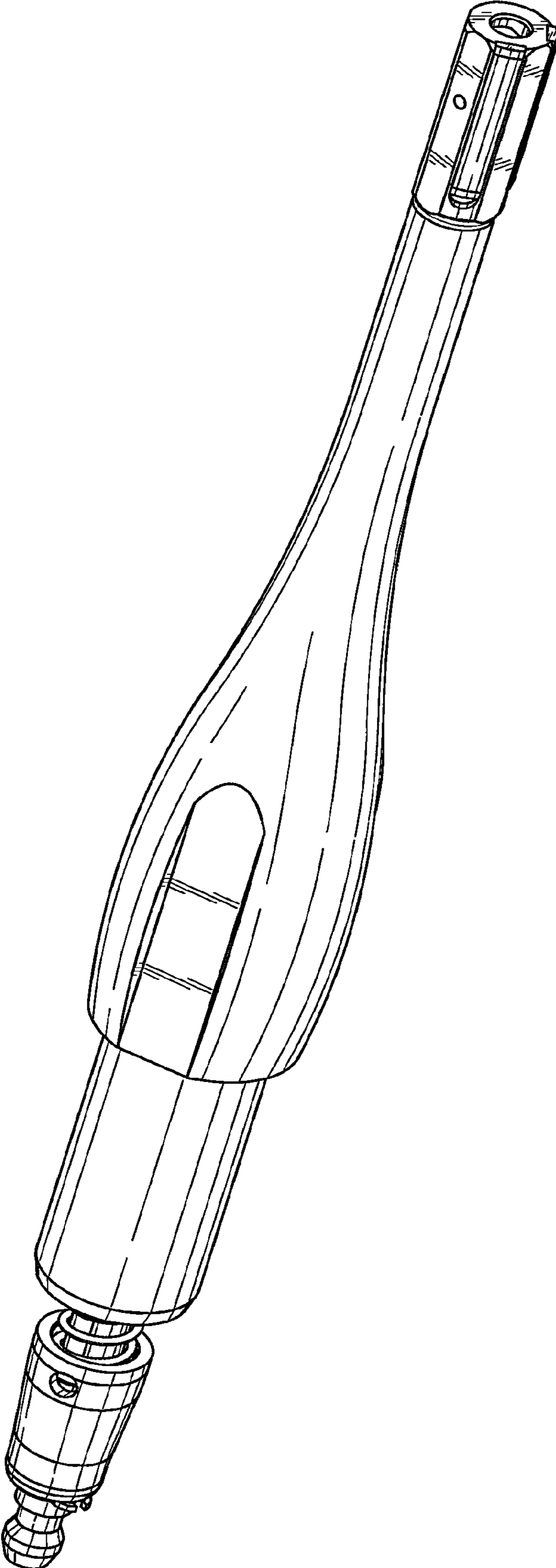


FIG. 1

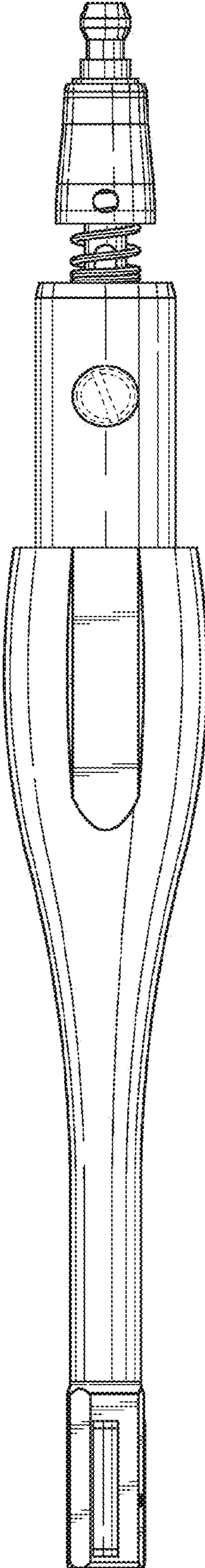


FIG. 2

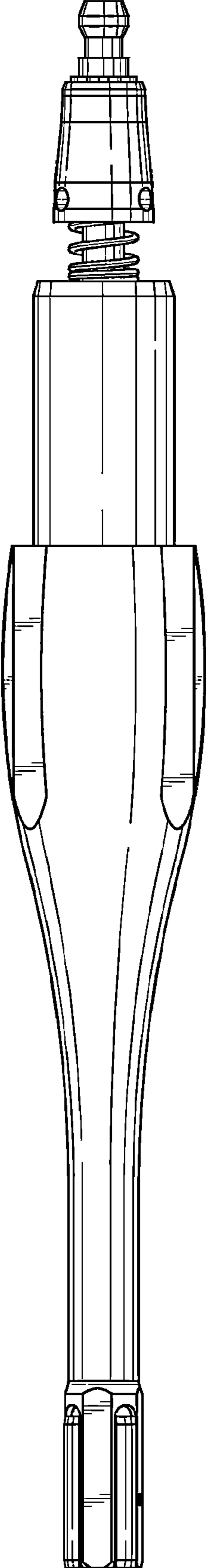


FIG. 3

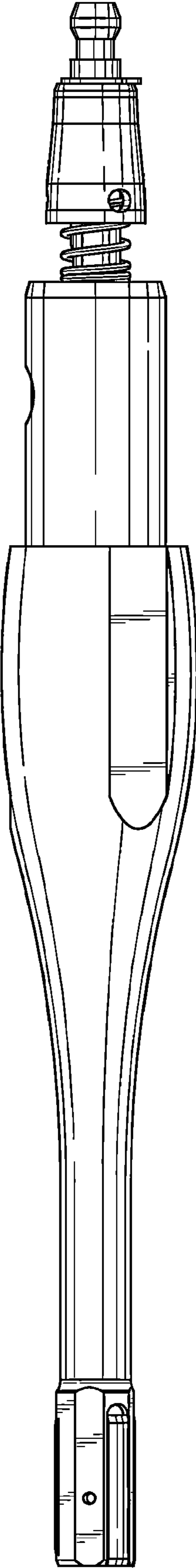


FIG. 4

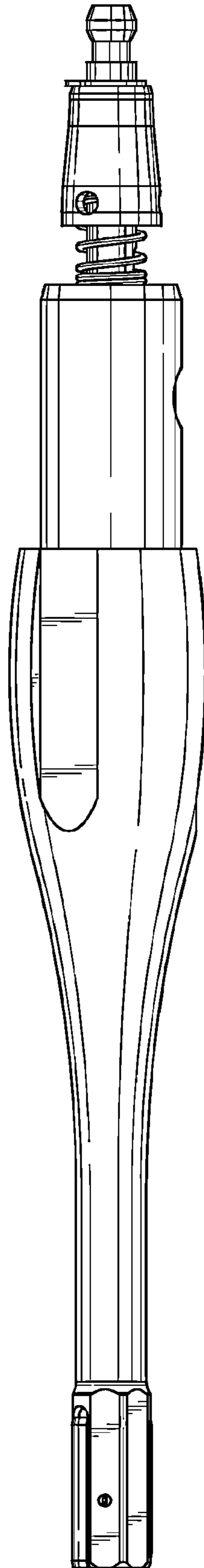


FIG. 5

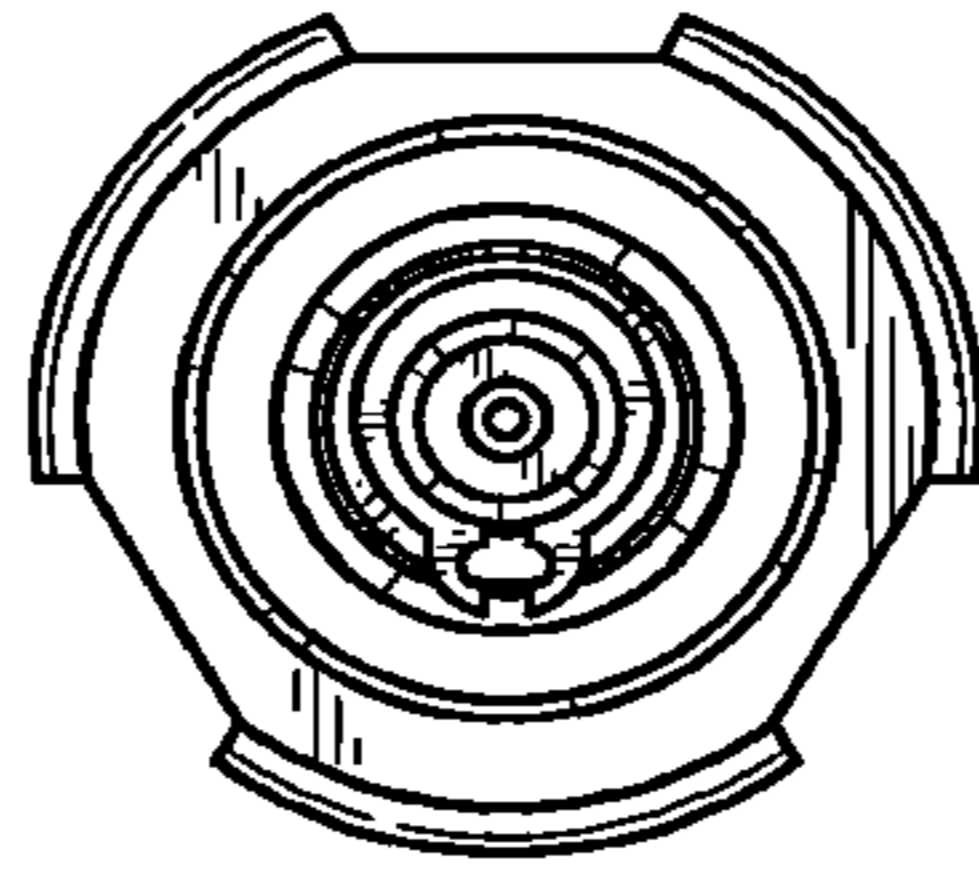


FIG. 7

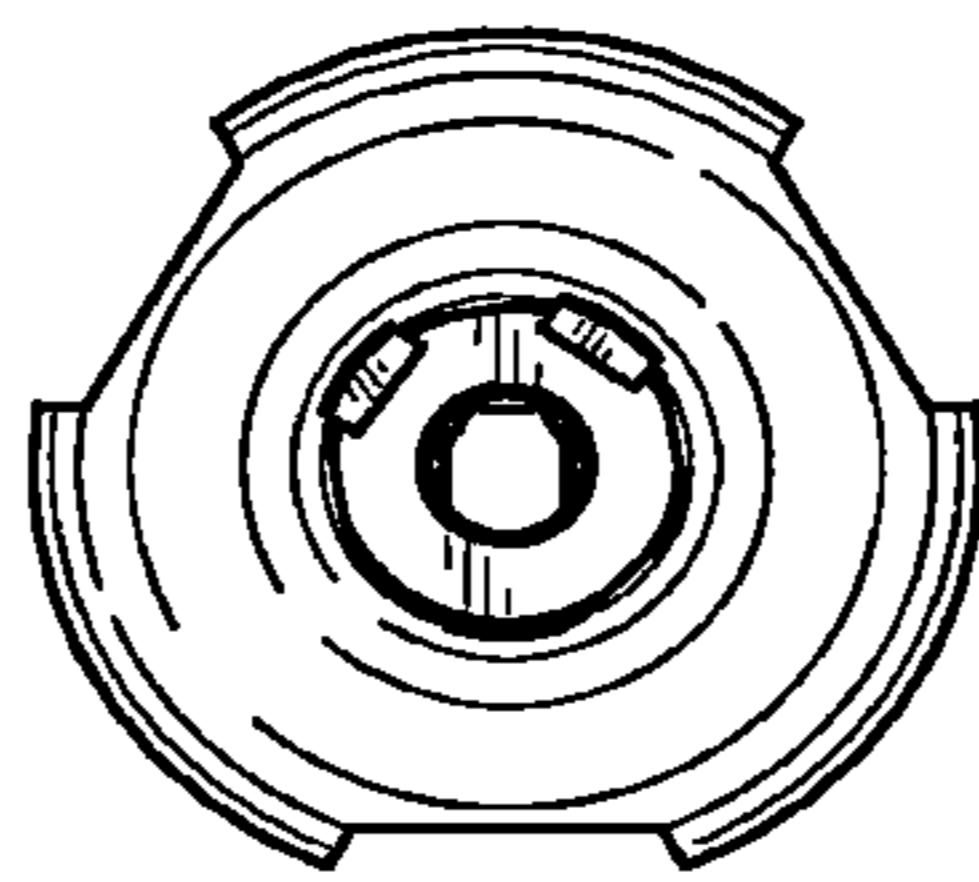


FIG. 6



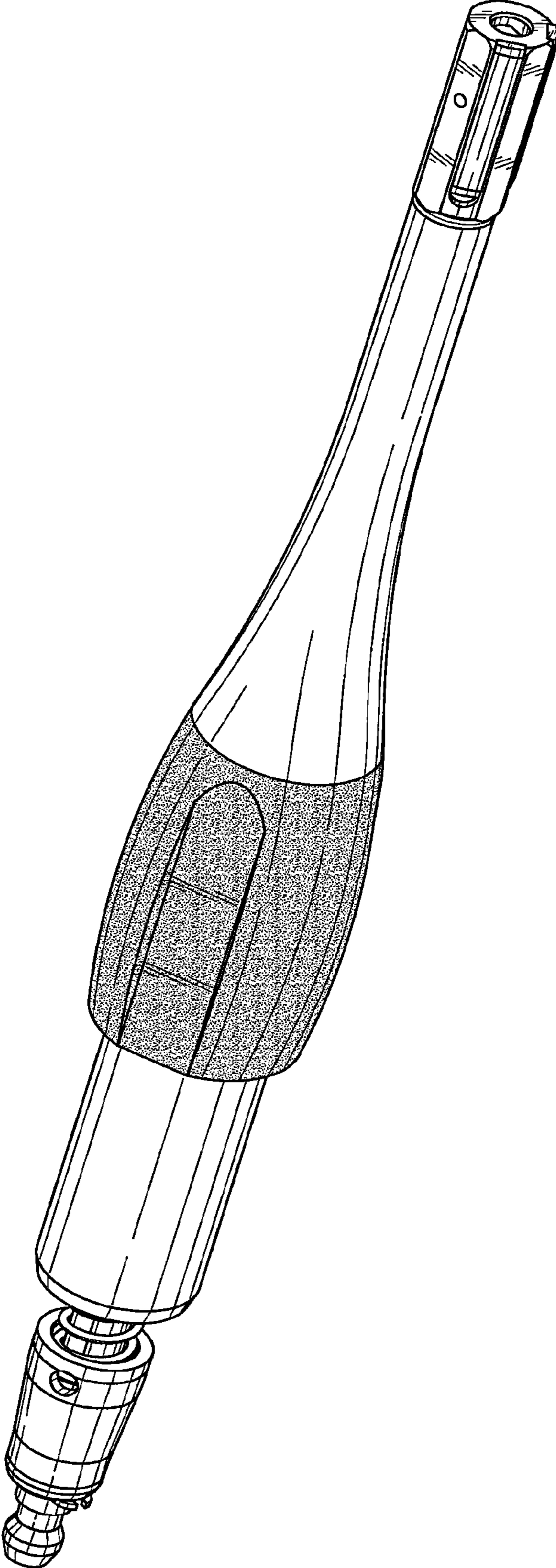


FIG. 8

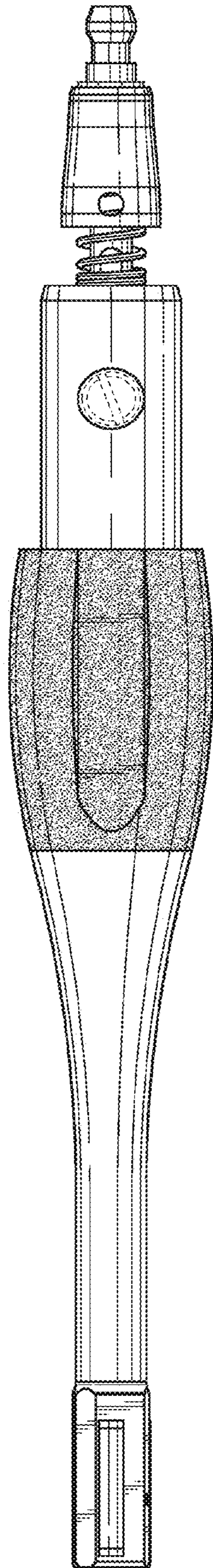


FIG. 9

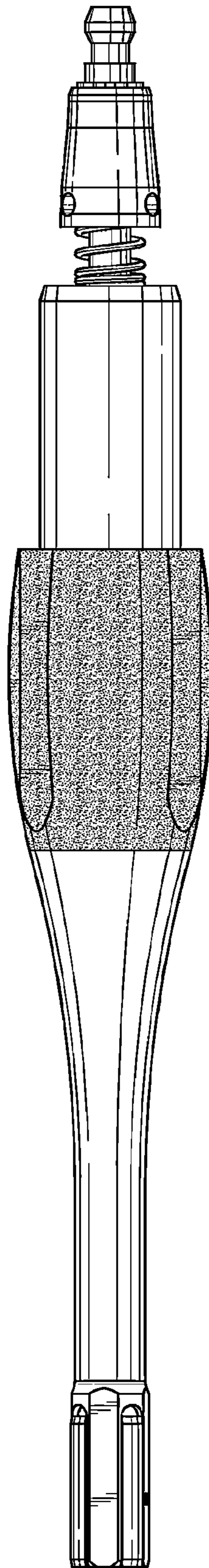


FIG. 10

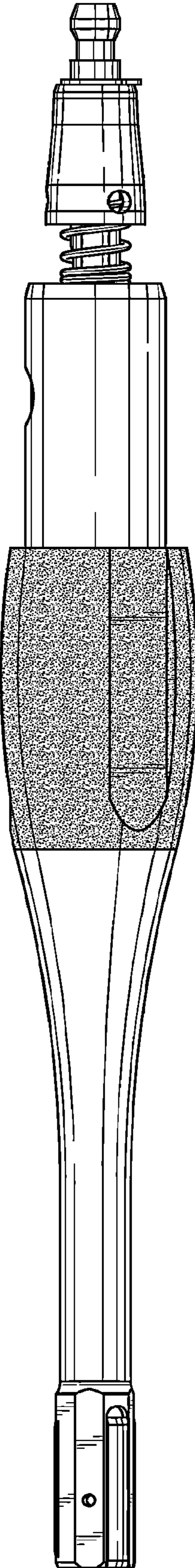


FIG. 11

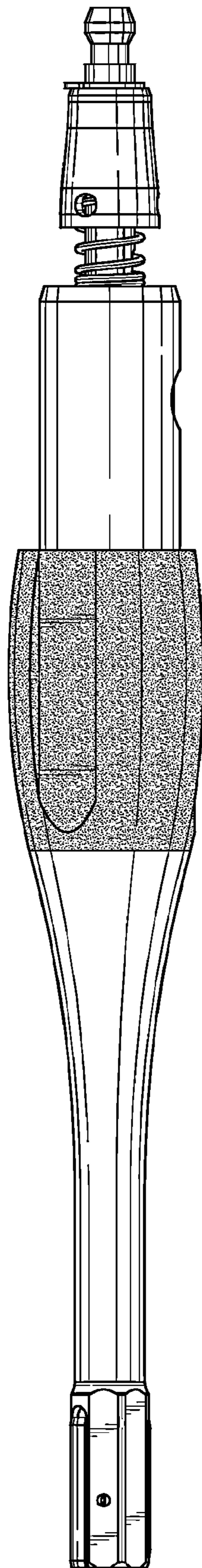


FIG. 12

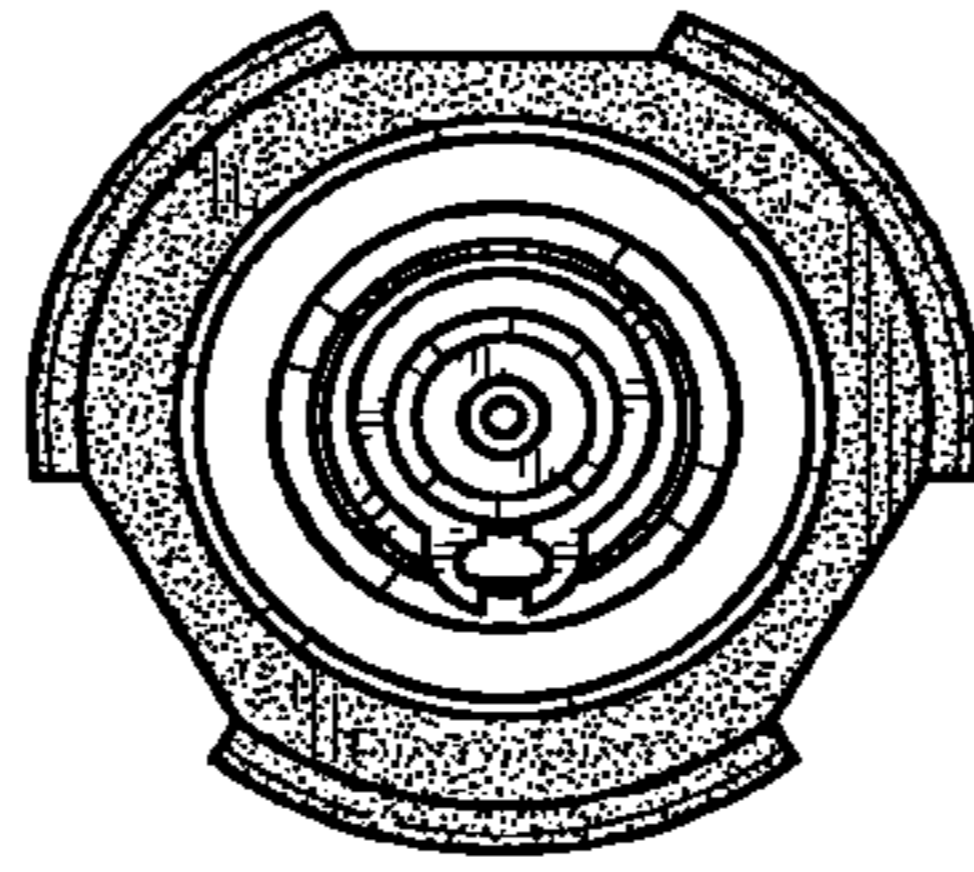


FIG. 14

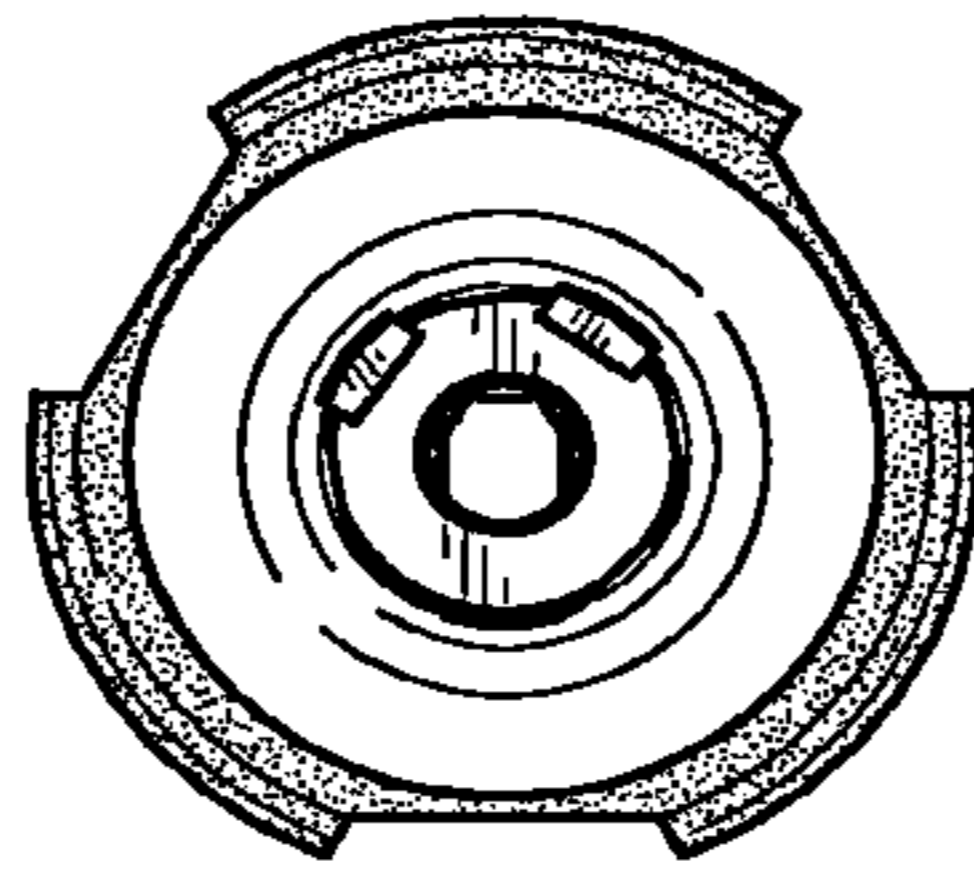


FIG. 13