



US00D727126S

(12) **United States Design Patent**
Robinson

(10) **Patent No.:** **US D727,126 S**
(45) **Date of Patent:** **** Apr. 21, 2015**

(54) **PUNCH**
(76) Inventor: **Spencer Lin Robinson**, Southport (AU)
(**) Term: **14 Years**
(21) Appl. No.: **29/430,604**
(22) Filed: **Aug. 28, 2012**
(30) **Foreign Application Priority Data**

Feb. 29, 2012 (AU) 10958/2012
(51) **LOC (10) Cl.** **08-05**
(52) **U.S. Cl.**
USPC **D8/51**
(58) **Field of Classification Search**
CPC B25C 11/00
USPC D8/14, 51, 61, 75; 81/44; 227/113, 147,
227/149; 112/80.05; 83/522.18; 29/243.53,
29/275; 173/115; 7/143
See application file for complete search history.

(56) **References Cited**
U.S. PATENT DOCUMENTS

2,587,944 A * 3/1952 Williams 173/115
2,624,879 A * 1/1953 Baird 227/147
4,483,475 A * 11/1984 Whitaker 227/147

4,562,948 A * 1/1986 Floyd 227/147
4,676,424 A * 6/1987 Meador et al. 227/147
5,117,772 A * 6/1992 Horton et al. 112/80.05
D374,802 S * 10/1996 Spierer et al. D8/51
6,142,052 A * 11/2000 Endo 83/522.18
6,205,602 B1 * 3/2001 Dettweiler 7/143
6,402,007 B1 * 6/2002 Dyer 227/147
D572,550 S * 7/2008 Francis D8/51
7,509,721 B1 * 3/2009 Liang 29/243.53
8,327,516 B2 * 12/2012 Kliskey 29/275
8,616,107 B2 * 12/2013 Kraft et al. 83/686

* cited by examiner

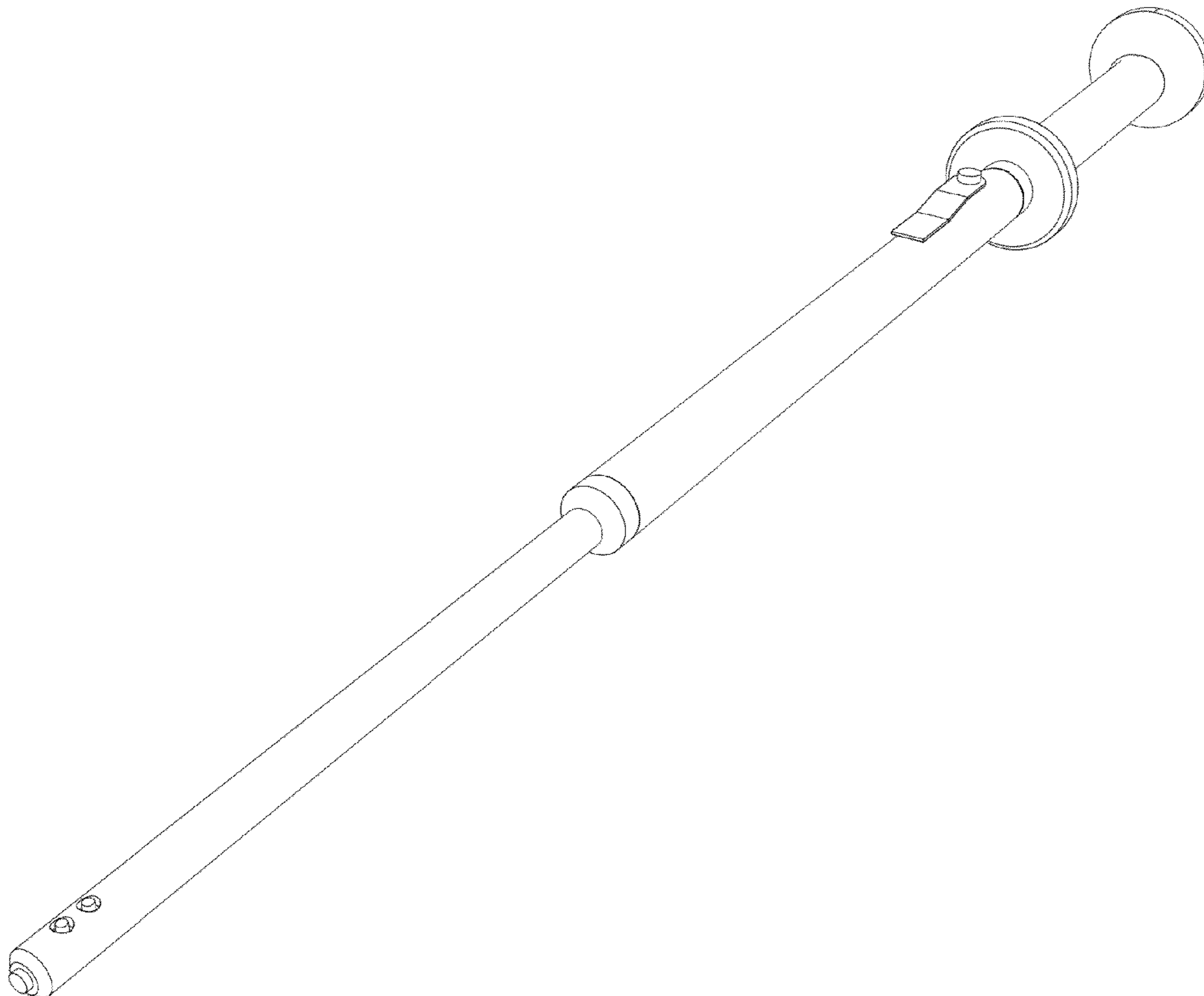
Primary Examiner — Ian Simmons
Assistant Examiner — Harold Blackwell, II
(74) *Attorney, Agent, or Firm* — Remenick PLLC

(57) **CLAIM**
The ornamental design for a punch, as shown and described.

DESCRIPTION

FIG. 1 is a front perspective view showing my new design for a punch;
FIG. 2 is a side view showing the punch of FIG. 1;
FIG. 3 is a top plan view showing the punch of FIG. 1;
FIG. 4 is a bottom view showing the punch of FIG. 1; and,
FIG. 5 is an exploded view showing the punch of FIG. 1.

1 Claim, 4 Drawing Sheets



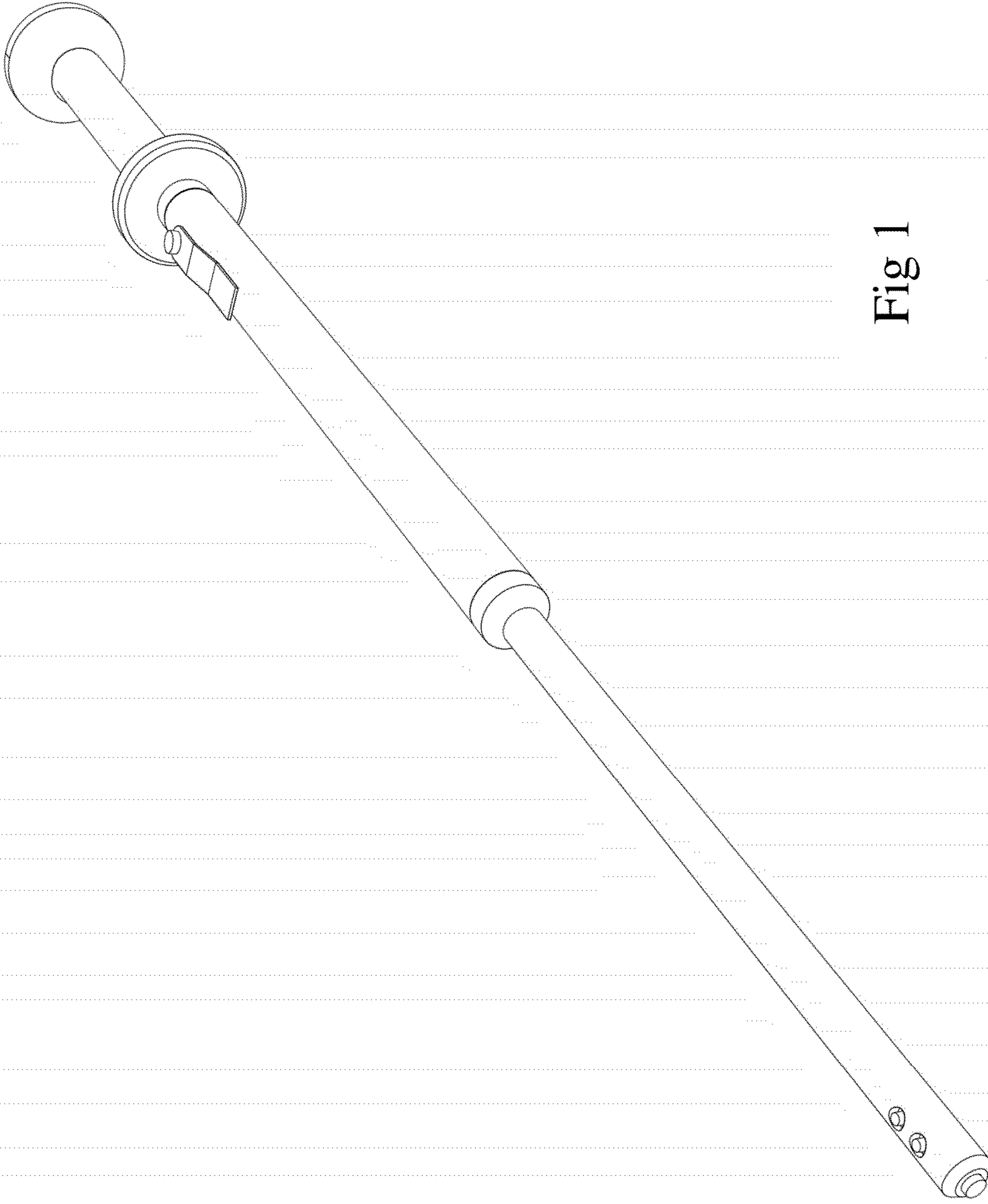


Fig 1

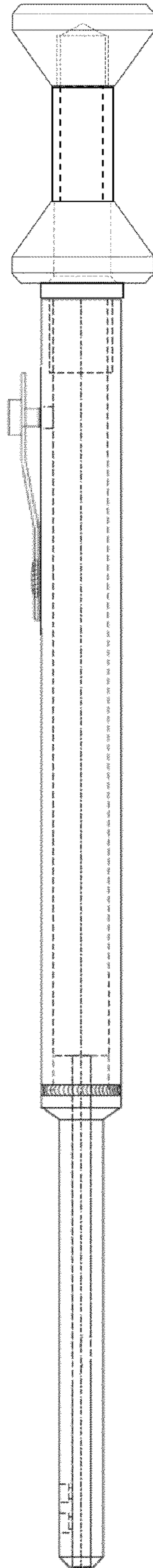


Fig 2

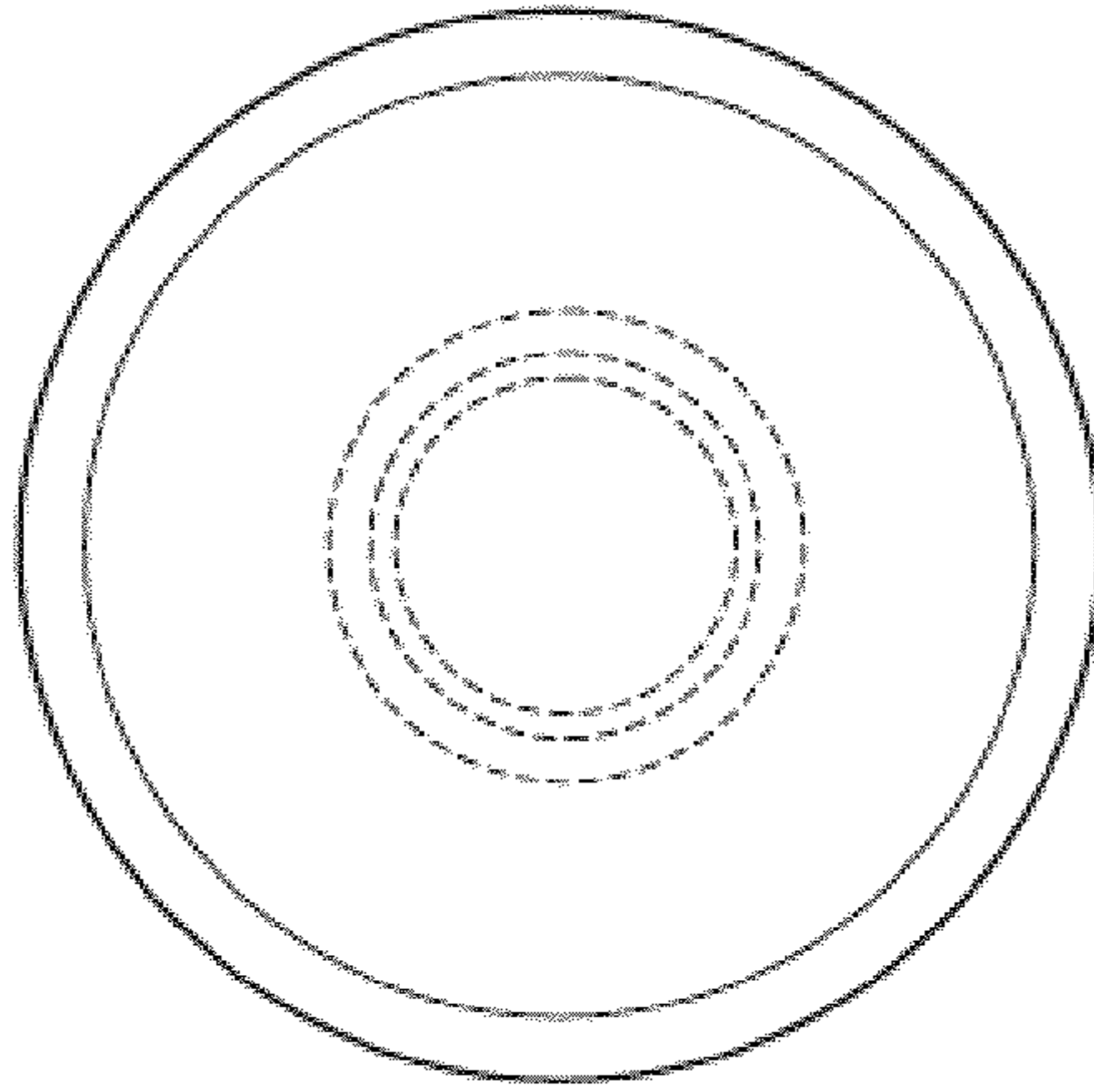


Fig 3

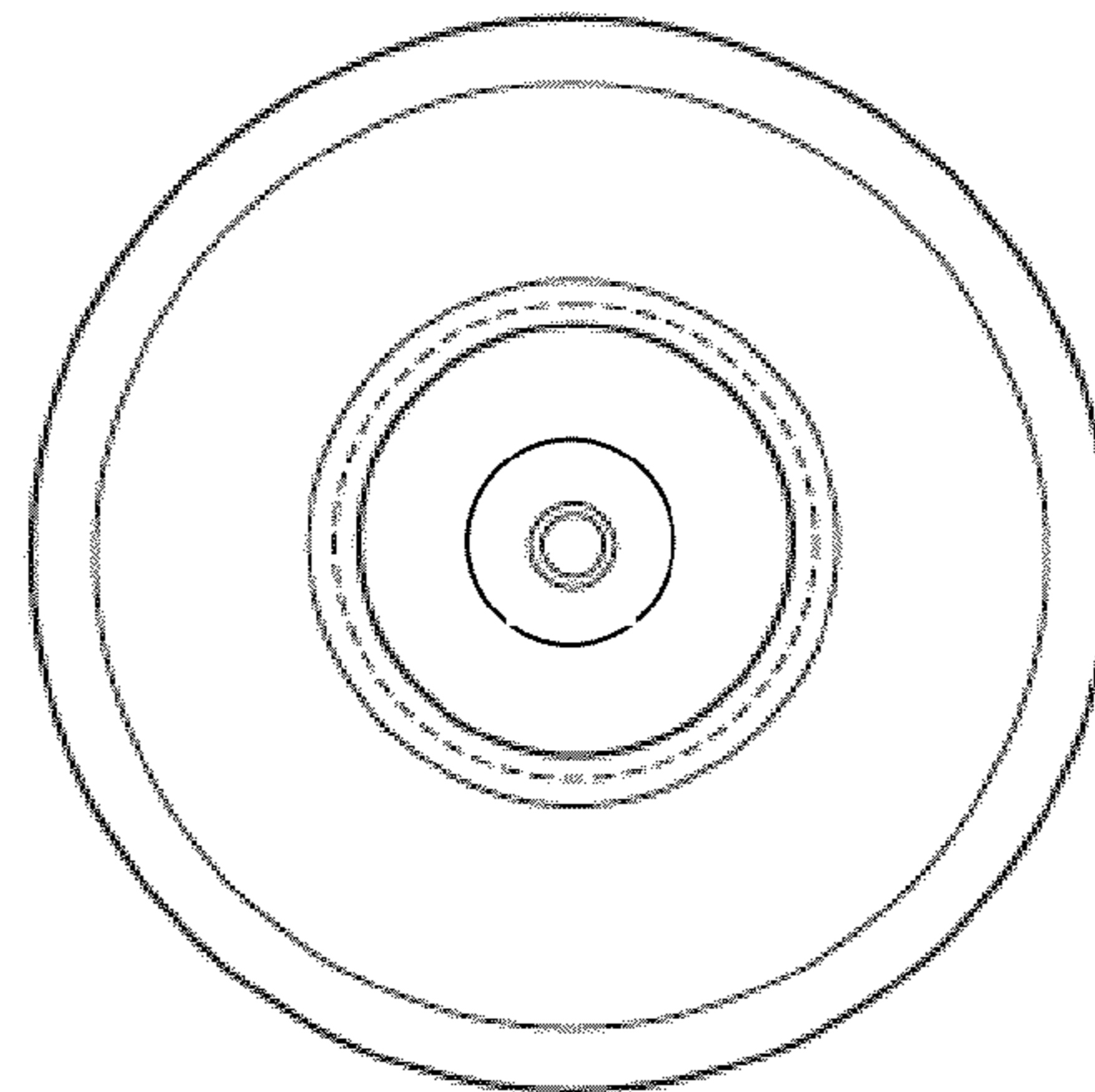


Fig 4

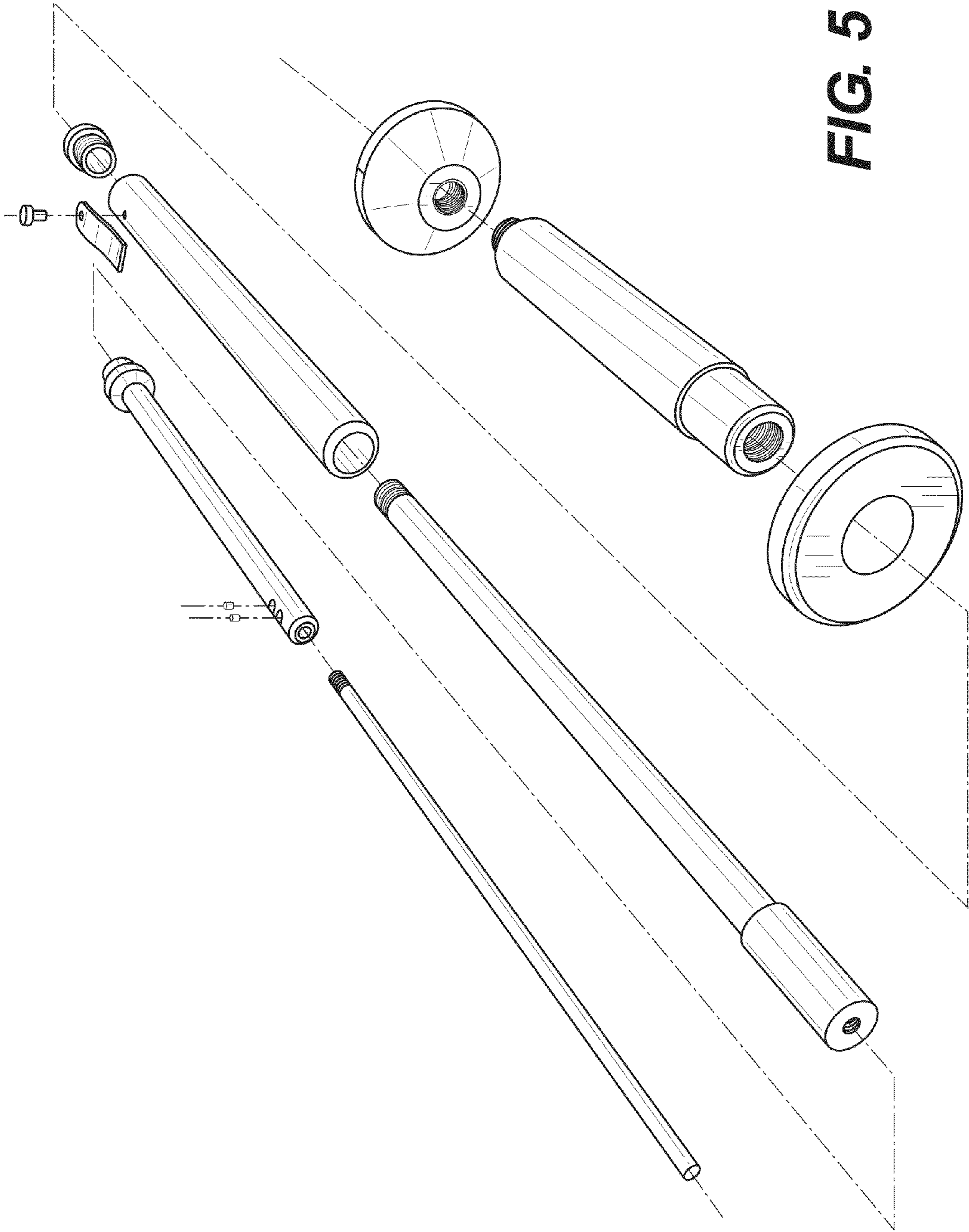


FIG. 5