



US00D727125S

(12) **United States Design Patent**
Genord et al.

(10) **Patent No.:** **US D727,125 S**
(45) **Date of Patent:** **** Apr. 21, 2015**

- (54) **FASTENING TOOL**
- (71) Applicant: **Arrow Fastener Co., LLC**, Saddle Brook, NJ (US)
- (72) Inventors: **Daniel Genord**, South Lyon, MI (US); **Grey Parker**, West Bloomfield, MI (US); **Francis Foster**, Waldwick, NJ (US); **Gregg Malanga**, Wayne, NJ (US)
- (73) Assignee: **Arrow Fastener Co., LLC**, Saddle Brook, NJ (US)
- (**) Term: **14 Years**
- (21) Appl. No.: **29/489,710**
- (22) Filed: **May 2, 2014**
- (51) **LOC (10) Cl.** **19-02**
- (52) **U.S. Cl.**
USPC **D8/49**
- (58) **Field of Classification Search**
CPC B25C 5/0242; B25C 5/0285; B25C 5/11; B27F 5/17; B26F 1/36
USPC D8/49, 394, 395, 396, 50; D19/65, 72, D19/99, 100; 24/67 R, 67.1, 67.3, 67.5, 67.7, 24/67.9, 67.11, 67 CF, 67 P, 570, DIG. 8, 24/DIG. 9; 30/358; 281/44
See application file for complete search history.

- 5,407,118 A 4/1995 Marks
- D360,119 S 7/1995 Fealey
- D360,566 S 7/1995 Marks et al.
- 5,497,932 A 3/1996 Brewer et al.
- 5,511,716 A 4/1996 Marks
- 5,622,258 A 4/1997 Baublitz et al.
- D384,257 S 9/1997 Marks et al.

(Continued)

OTHER PUBLICATIONS

U.S. Appl. No. 29/489,711, entitled "Fastening Tool", filed May 2, 2014, 5 pages.

Primary Examiner — Austin Murphy

(74) *Attorney, Agent, or Firm* — Lora Graentzdoerffer; Brooks Kushman P.C.

(57) **CLAIM**

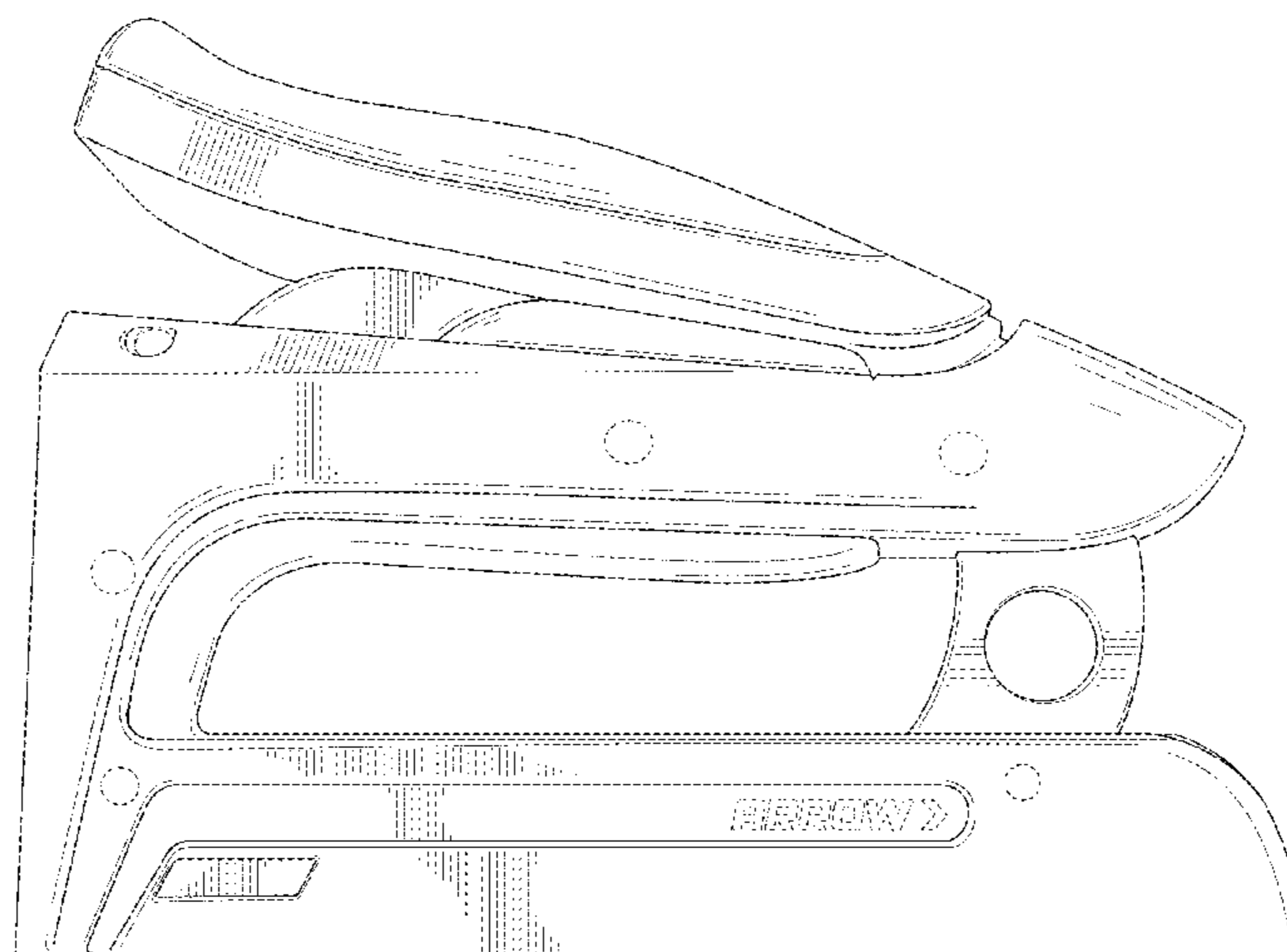
The ornamental design for a fastening tool, as shown and described.

DESCRIPTION

FIG. 1 is a rear side perspective view of a fastening tool according to an embodiment;
 FIG. 2 is a front side perspective view of the fastening tool of FIG. 1;
 FIG. 3 is a front perspective view of the fastening tool of FIG. 1;
 FIG. 4 is a right side perspective view of the fastening tool of FIG. 1;
 FIG. 5 is a left side perspective view of the fastening tool of FIG. 1;
 FIG. 6 is a rear perspective view of the fastening tool of FIG. 1;
 FIG. 7 is a top perspective view of the fastening tool of FIG. 1; and
 FIG. 8 is a bottom perspective view of the fastening tool of FIG. 1.
 The broken lines are for illustrative purposes only and form no part of the claimed design.

1 Claim, 8 Drawing Sheets

- (56) **References Cited**
U.S. PATENT DOCUMENTS
- 3,199,185 A 8/1965 Lash et al.
- 3,913,817 A 10/1975 Barrett et al.
- 4,119,258 A 10/1978 Ewig, Jr.
- 4,450,998 A 5/1984 Ruskin
- 4,706,869 A 11/1987 Knispel et al.
- D319,762 S 9/1991 Chi
- 5,107,390 A 4/1992 Goldner
- 5,165,587 A 11/1992 Marks
- 5,328,075 A 7/1994 Marks
- 5,335,839 A 8/1994 Fealey



(56)

References Cited

U.S. PATENT DOCUMENTS

D384,258 S	9/1997	Marks et al.	D578,365 S	10/2008	Mandel et al.
5,664,722 A	9/1997	Marks	D580,246 S	11/2008	Mandel et al.
5,699,949 A	12/1997	Marks	7,464,844 B2	12/2008	Kamins et al.
5,735,444 A	4/1998	Wingert	D587,542 S *	3/2009	Miyagi D8/50
5,765,742 A	6/1998	Marks	7,503,400 B2	3/2009	Llewellyn
5,816,470 A	10/1998	Plato et al.	7,506,789 B2	3/2009	Shor
5,884,829 A	3/1999	Wingert	D600,085 S	9/2009	Mandel et al.
D411,422 S	6/1999	Juhlin et al.	D600,086 S *	9/2009	Marks et al. D8/50
D415,668 S	10/1999	Elie	D600,986 S	9/2009	Betsalel et al.
5,988,478 A	11/1999	Marks	D604,576 S	11/2009	Betsalel et al.
D432,883 S	10/2000	Wingert	D606,826 S *	12/2009	Marks et al. D8/50
6,131,788 A	10/2000	Marks	7,637,407 B2	12/2009	Shor
6,145,728 A	11/2000	Marks	7,699,202 B2	4/2010	Shor
6,173,877 B1	1/2001	Wingert	D620,330 S	7/2010	Krumpe et al.
D454,289 S	3/2002	Huang	D620,331 S	7/2010	Krumpe et al.
6,355,892 B1	3/2002	Marks	D622,570 S *	8/2010	Miyagi et al. D8/50
D466,773 S	12/2002	Lin	D622,571 S *	8/2010	Arleekul et al. D8/50
6,789,719 B2	9/2004	Shor	7,815,089 B2	10/2010	Shor
D517,385 S	3/2006	Arns	D630,071 S	1/2011	Krumpe et al.
D518,695 S	4/2006	Hu	D630,072 S	1/2011	Krumpe et al.
7,097,088 B2	8/2006	Shor	D630,073 S	1/2011	Krumpe et al.
D531,469 S	11/2006	Osberg et al.	D631,316 S	1/2011	Krumpe et al.
D533,756 S *	12/2006	Chang D8/50	D631,317 S	1/2011	Krumpe et al.
D534,402 S	1/2007	Murray	D631,318 S	1/2011	Krumpe et al.
D552,951 S	10/2007	Shor	D655,587 S	3/2012	Walters et al.
D553,459 S	10/2007	Shor	D655,588 S	3/2012	Pennington et al.
D553,460 S	10/2007	Shor	8,240,535 B2	8/2012	Shor
D560,987 S	2/2008	Krushlin et al.	8,251,273 B2	8/2012	Shor
D561,550 S	2/2008	Krushlin et al.	D667,712 S	9/2012	Walters
7,344,023 B2	3/2008	Painsith et al.	D668,125 S	10/2012	Pennington et al.
D567,043 S *	4/2008	Marks et al. D8/50	8,413,865 B2	4/2013	Mandel et al.
D568,129 S	5/2008	Arns	8,496,151 B2	7/2013	Shor
D568,130 S	5/2008	Arns	D689,753 S	9/2013	Yoo et al.
D570,170 S *	6/2008	Kent et al. D8/50	8,561,868 B2	10/2013	Shor
D573,089 S	7/2008	Mandel et al.	D713,229 S	9/2014	Caglar
D574,205 S	8/2008	Krushlin et al.	D713,230 S	9/2014	Chuang
D576,545 S	9/2008	Mandel et al.	2013/0228608 A1	9/2013	Sokol et al.
			2013/0292446 A1	11/2013	Choy

* cited by examiner

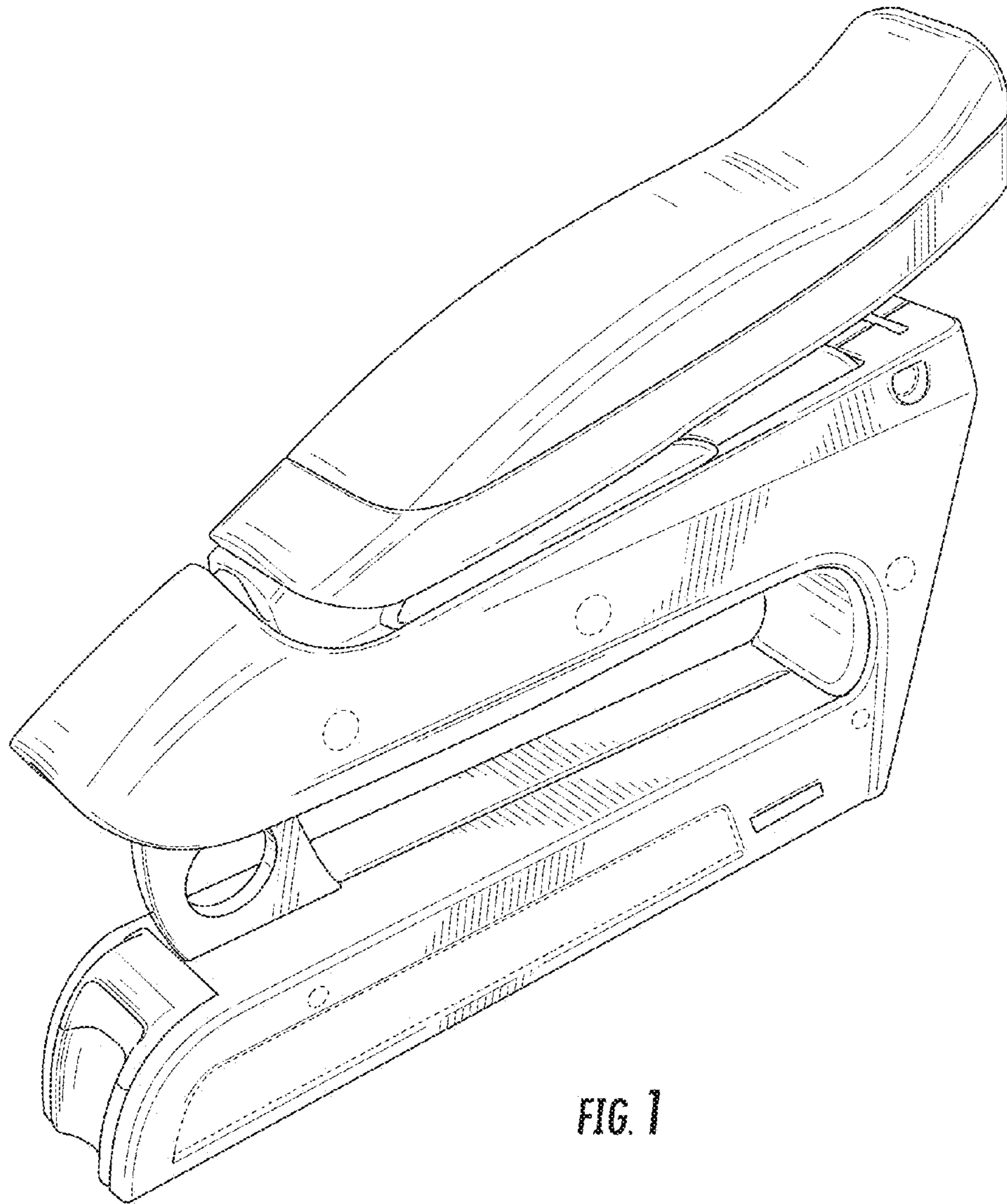


FIG. 1

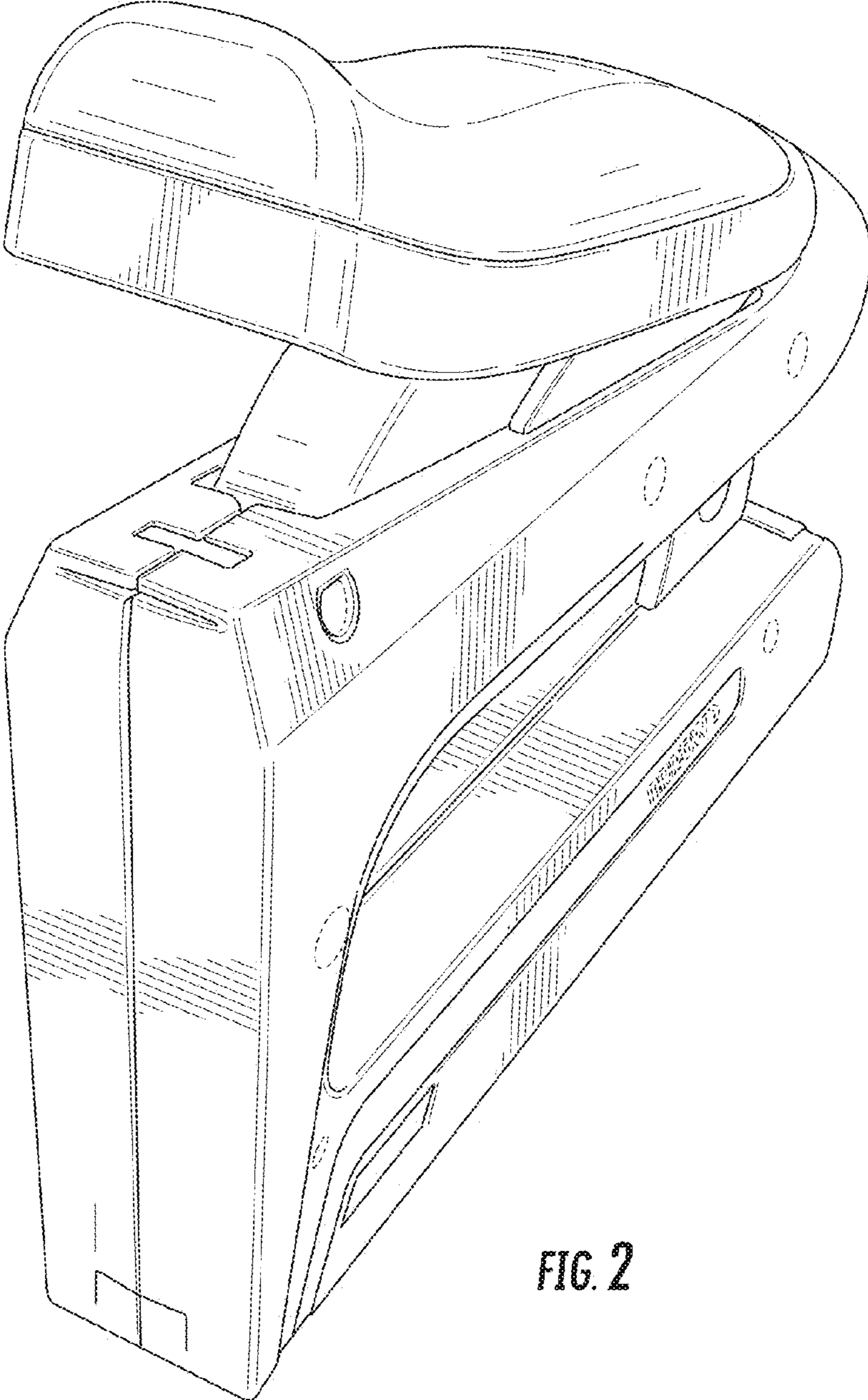


FIG. 2

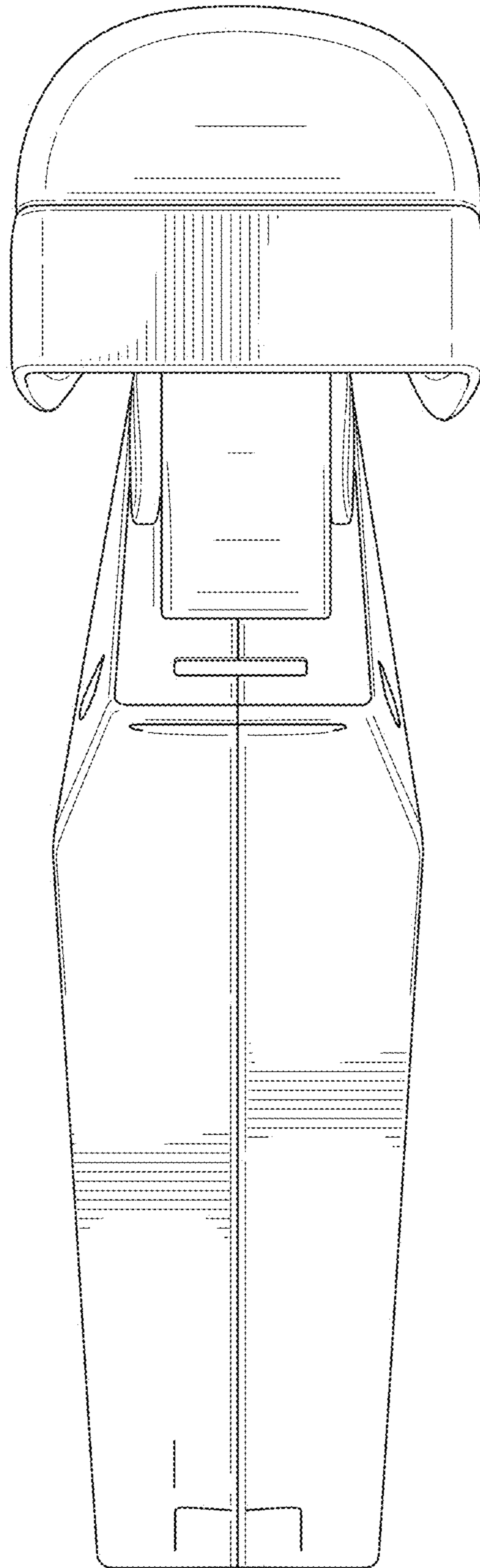


FIG. 3

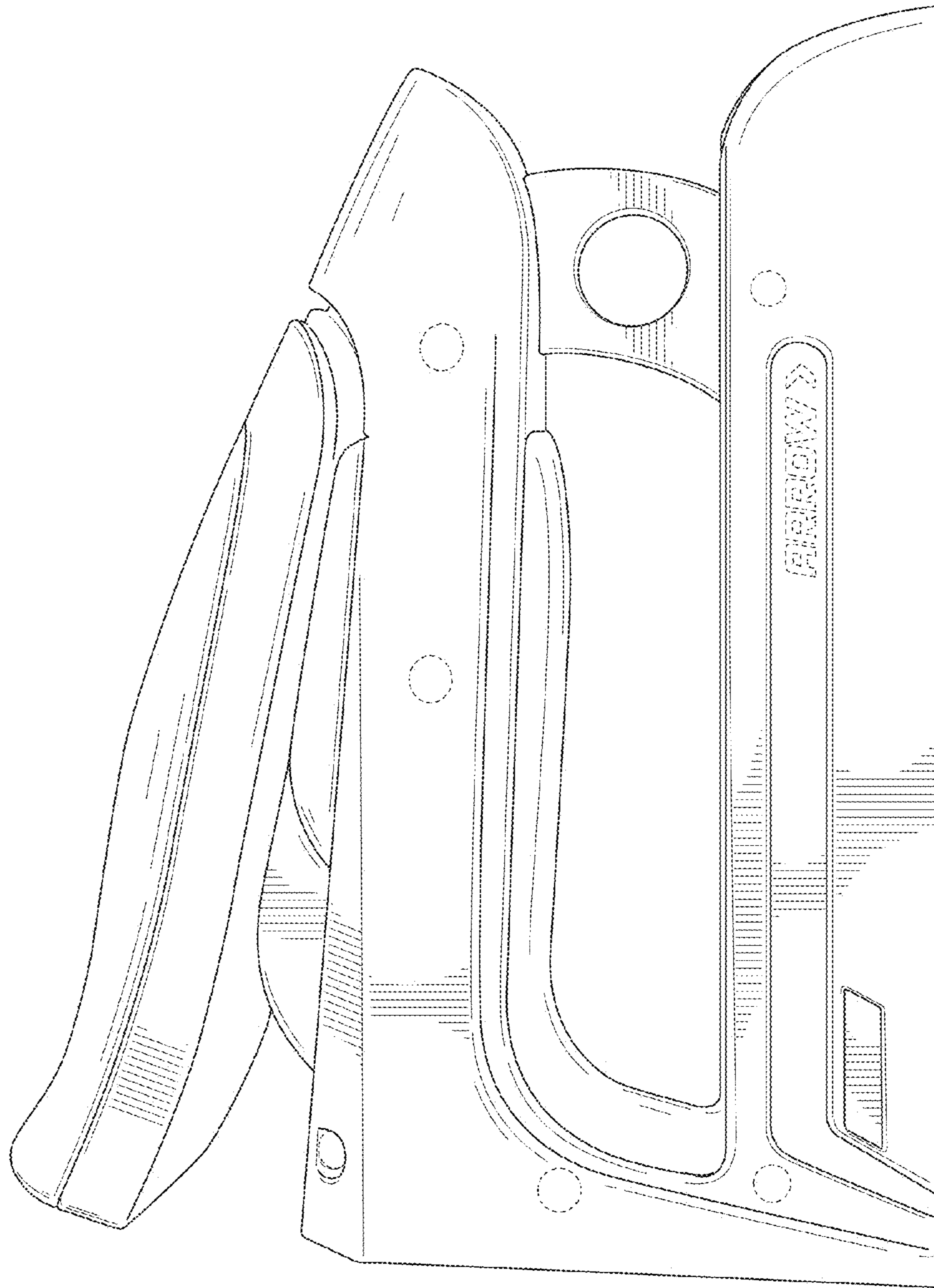


FIG. 4

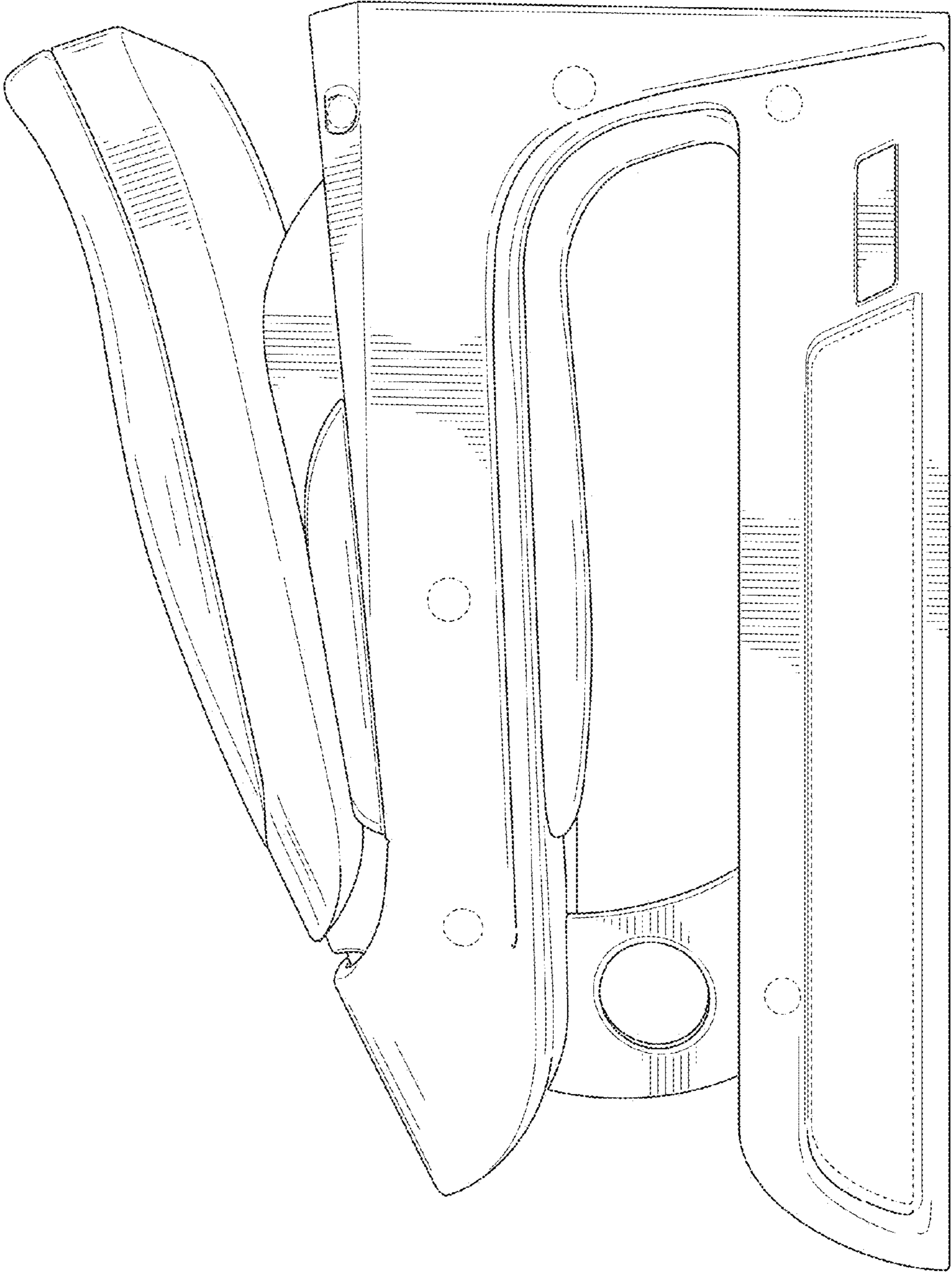


FIG. 5

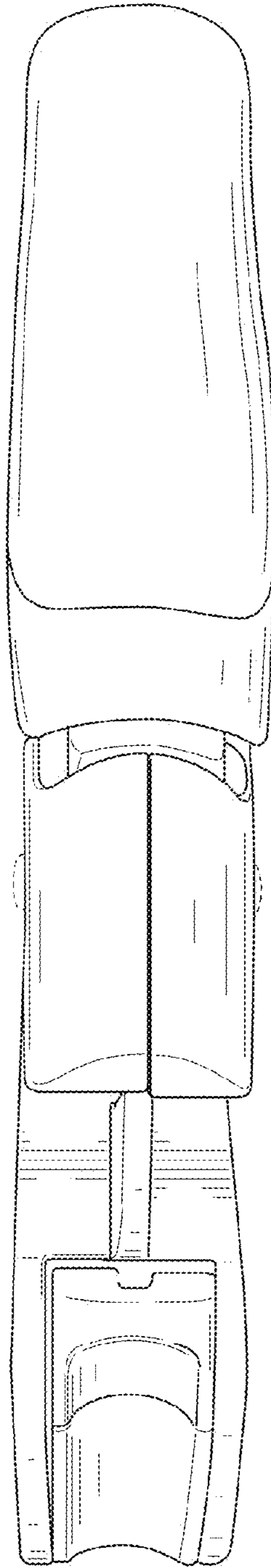


FIG. 6

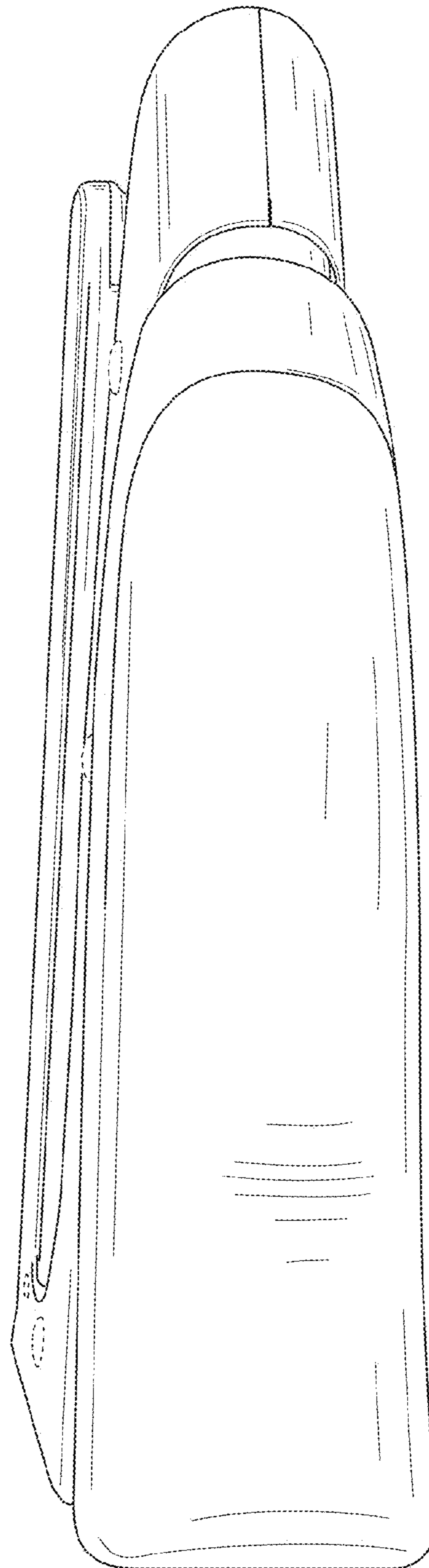


FIG. 7

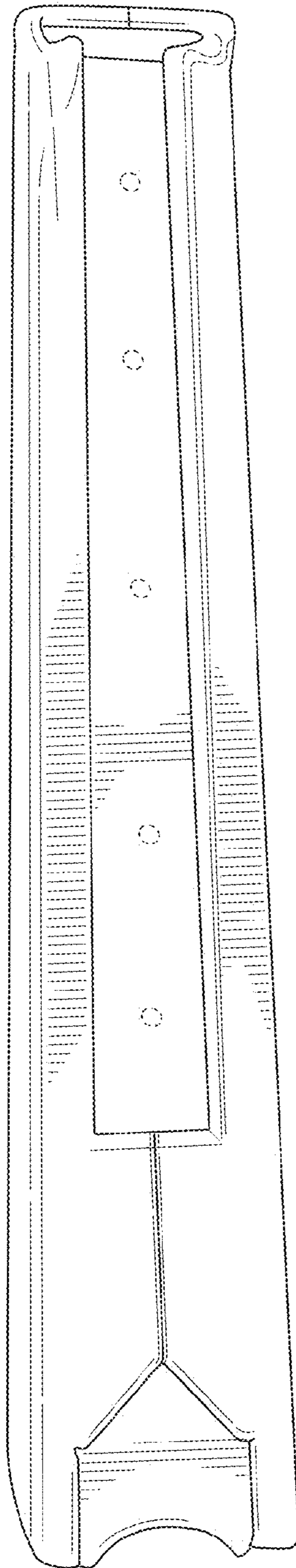


FIG. 8

UNITED STATES PATENT AND TRADEMARK OFFICE
CERTIFICATE OF CORRECTION

PATENT NO. : D727,125 S
APPLICATION NO. : 29/489710
DATED : April 21, 2015
INVENTOR(S) : Genord et al.

Page 1 of 1

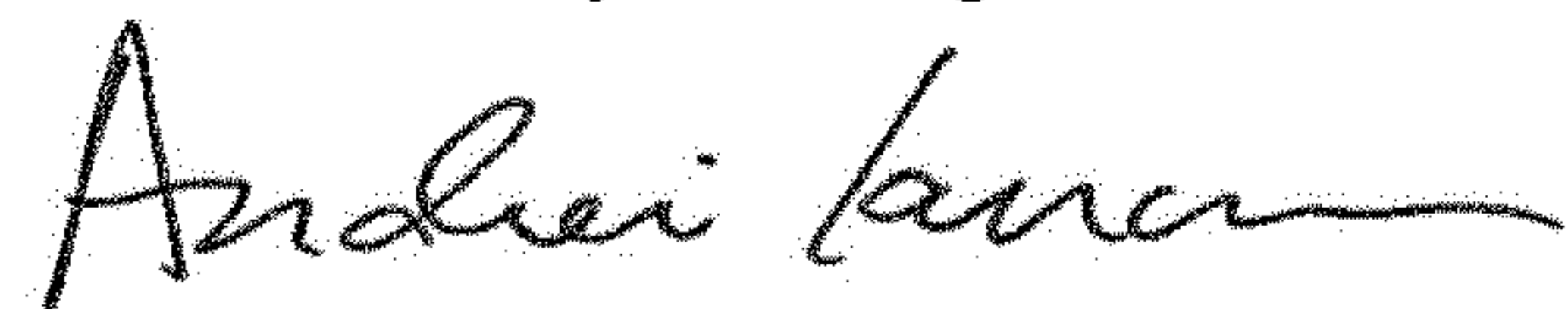
It is certified that error appears in the above-identified patent and that said Letters Patent is hereby corrected as shown below:

On the Title Page

Item (72), add --Joel Steven Marks, Sherman Oaks, CA (US);--.

Item (72), add --Surapon Arleekul, Sherman Oaks, CA (US)--.

Signed and Sealed this
Sixth Day of August, 2019



Andrei Iancu
Director of the United States Patent and Trademark Office