

US00D727124S

(12) **United States Design Patent**
Oas

(10) **Patent No.:** **US D727,124 S**

(45) **Date of Patent:** **** Apr. 21, 2015**

(54) **NARROW BICYCLE TIRE REMOVER TOOL**

(71) Applicant: **Daniel Oas**, Irwindale, CA (US)

(72) Inventor: **Daniel Oas**, Irwindale, CA (US)

(73) Assignee: **Calibre International, LLC**, Irwindale, CA (US)

(**) Term: **14 Years**

(21) Appl. No.: **29/472,874**

(22) Filed: **Nov. 17, 2013**

(51) **LOC (10) Cl.** **08-05**

(52) **U.S. Cl.**
USPC **D8/31; D8/88**

(58) **Field of Classification Search**
CPC B25B 27/0071
USPC 157/1.17, 1.47; 254/131; 29/267; 7/100,
7/143; D8/14, 31, 88, 89, 367, 499
See application file for complete search history.

(56) **References Cited**

U.S. PATENT DOCUMENTS

235,877 A * 12/1880 Jones 254/131
1,385,948 A * 7/1921 Norlund 157/1.3

2,314,145 A * 3/1943 Kalajian 254/131
2,508,069 A * 5/1950 Lowry 157/1.1
2,872,970 A * 2/1959 Bedingfield 157/1.17
D235,843 S * 7/1975 Ehlert D8/31
D666,069 S * 8/2012 Pilg D8/31
2010/0187487 A1* 7/2010 Khan 254/28

* cited by examiner

Primary Examiner — Sheryl Lane

(74) *Attorney, Agent, or Firm* — Thomas I. Rozsa

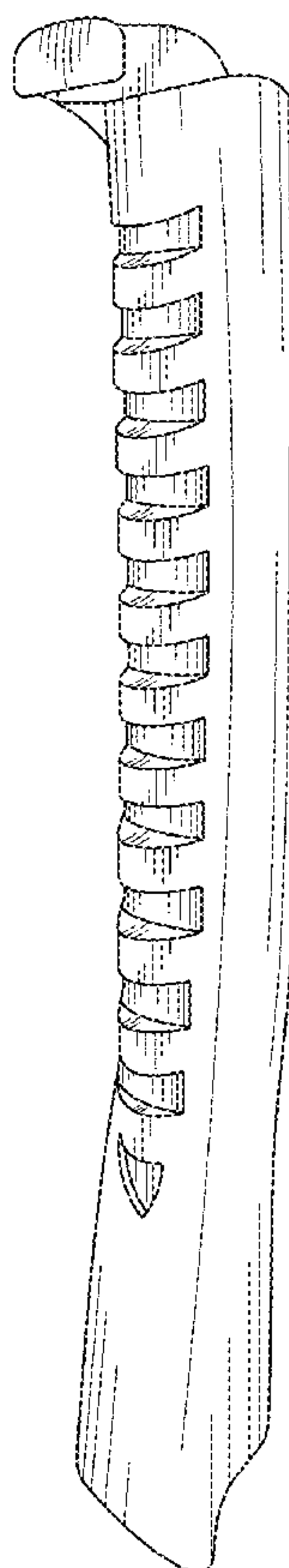
(57) **CLAIM**

The ornamental design for a narrow bicycle tire remover tool, as shown and described.

DESCRIPTION

FIG. 1 is a front perspective view of a narrow bicycle tire remover tool, showing my new design;
FIG. 2 is a rear perspective view thereof;
FIG. 3 is a front elevational view thereof;
FIG. 4 is a rear elevational view thereof;
FIG. 5 is a right side elevational view thereof;
FIG. 6 is a left side elevational view thereof;
FIG. 7 is a top plan view thereof; and,
FIG. 8 is a bottom plan view thereof.

1 Claim, 5 Drawing Sheets



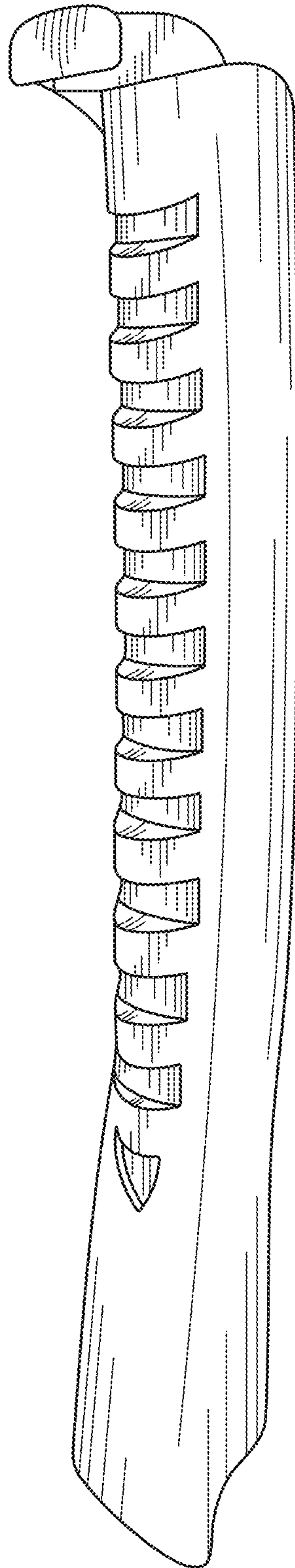


FIG. 1

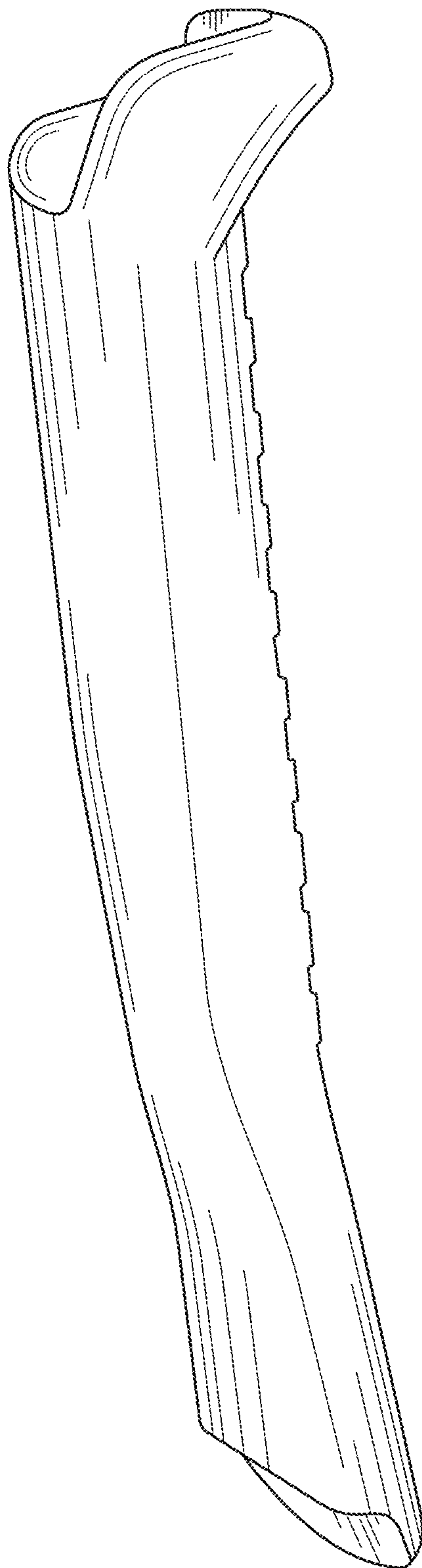


FIG. 2

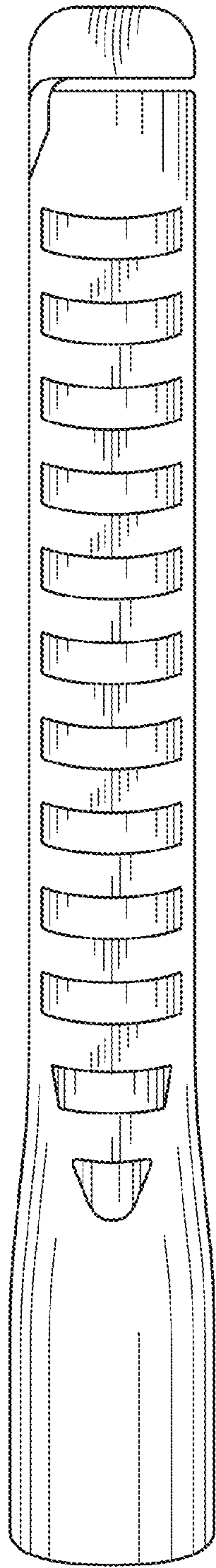


FIG. 3

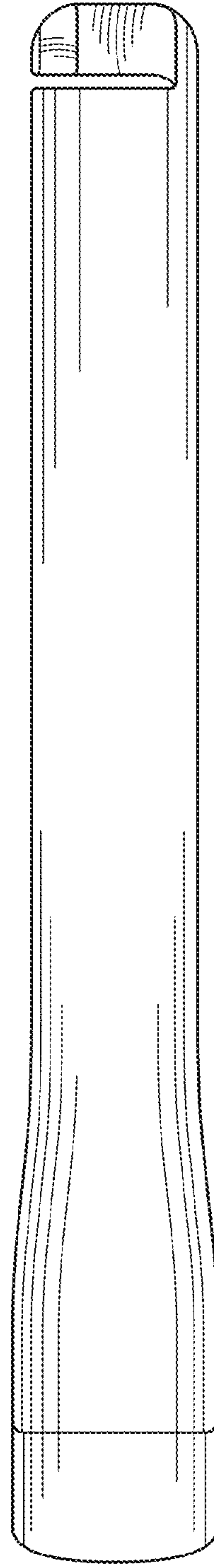


FIG. 4

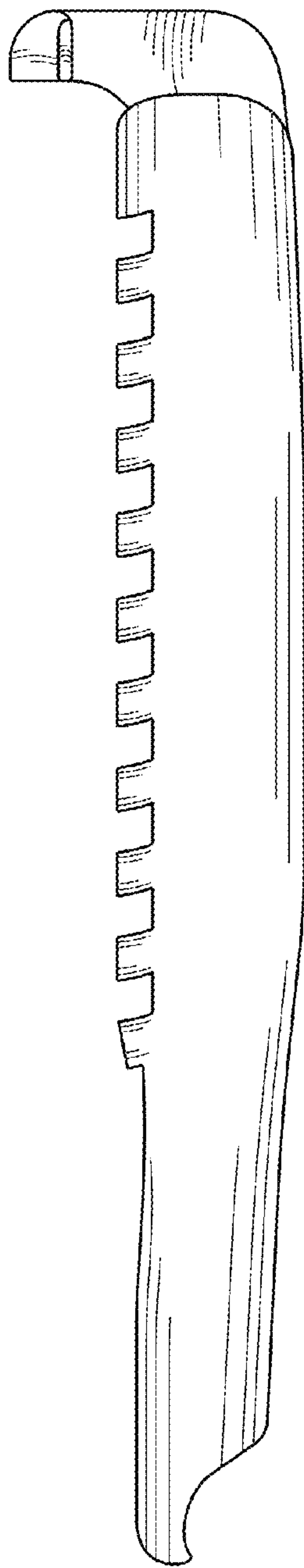


FIG. 5

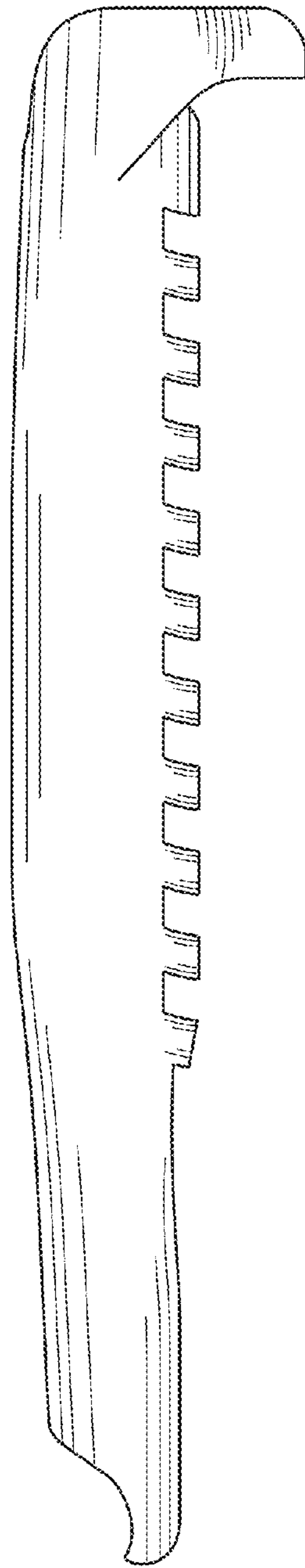


FIG. 6

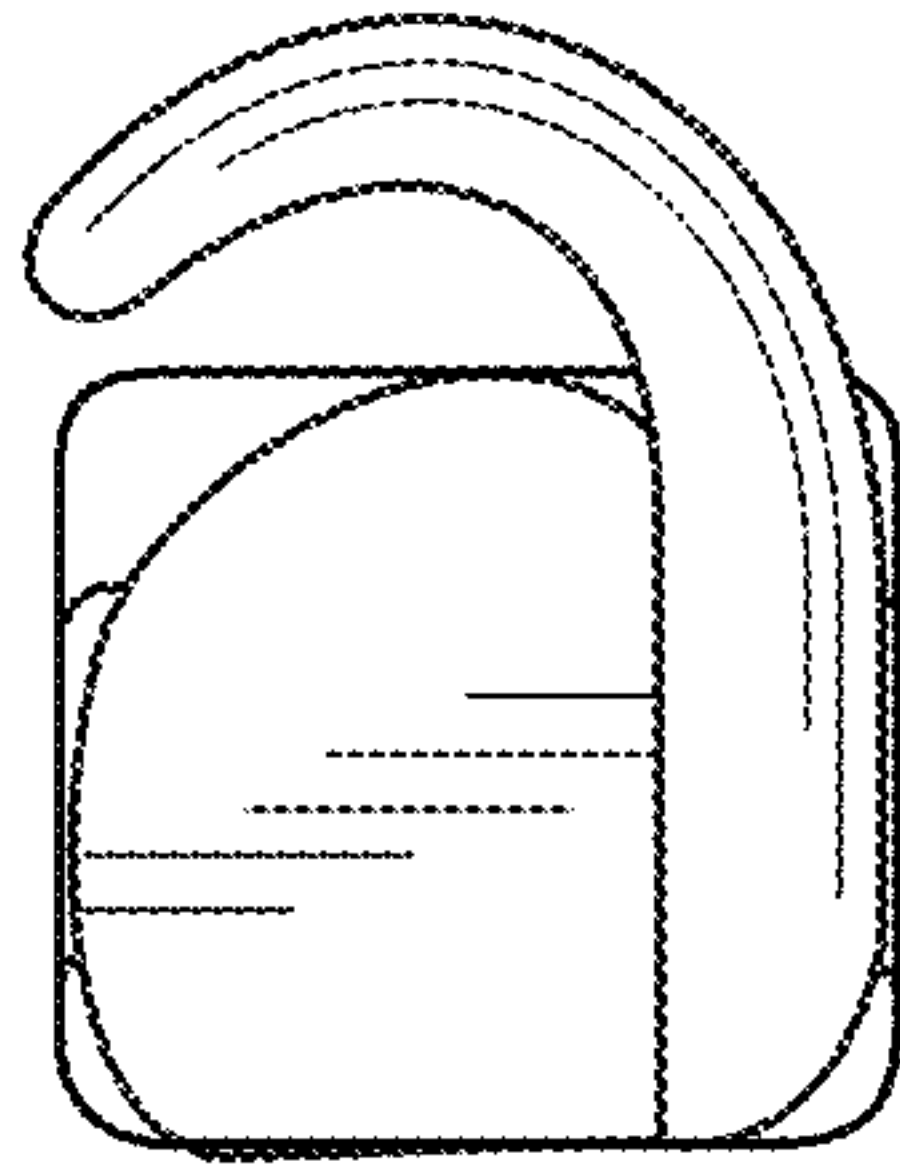


FIG. 7

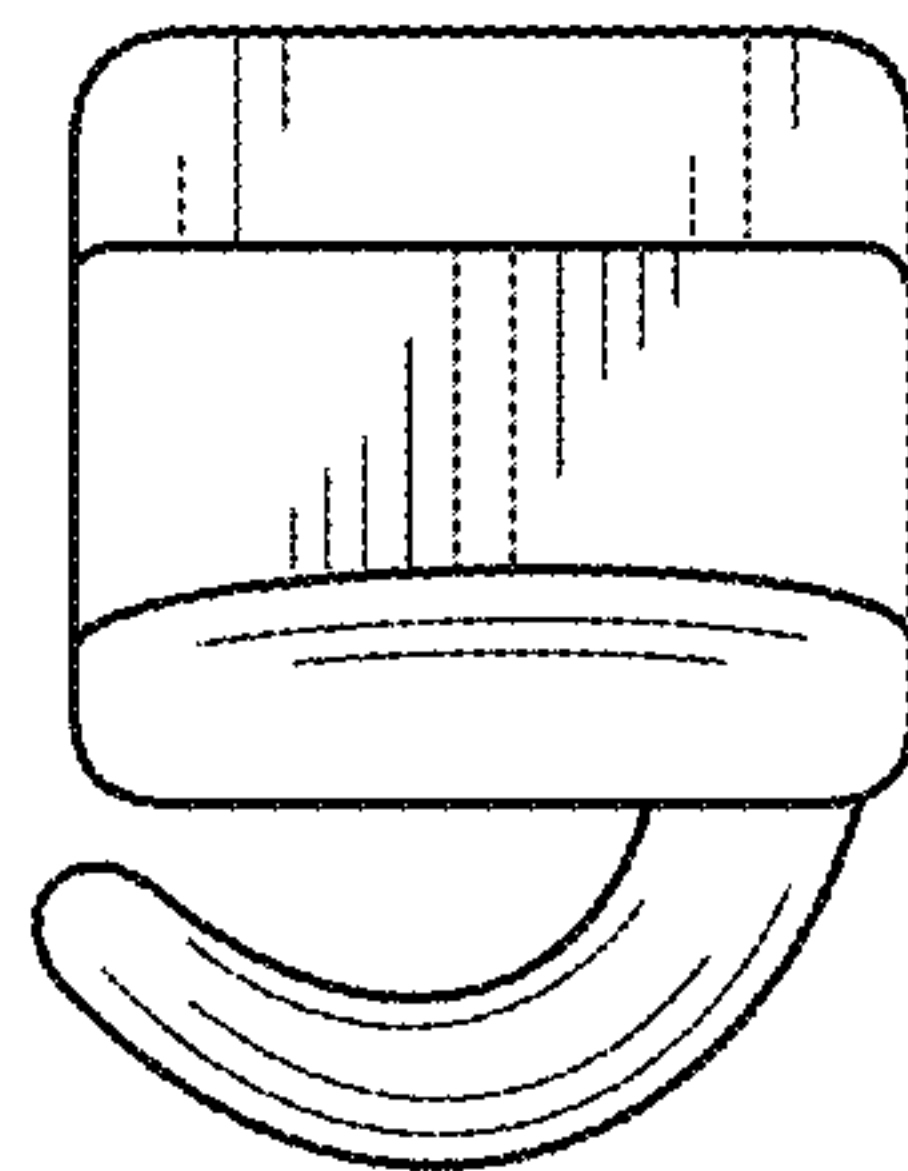


FIG. 8