



US00D727122S

(12) **United States Design Patent**  
**Huggins**

(10) **Patent No.:** **US D727,122 S**

(45) **Date of Patent:** **\*\* Apr. 21, 2015**

(54) **OVAL-HEADED UNIVERSAL WRENCH**

(71) Applicant: **John Huggins**, Los Angeles, CA (US)

(72) Inventor: **John Huggins**, Los Angeles, CA (US)

(\*\*) Term: **14 Years**

(21) Appl. No.: **29/469,660**

(22) Filed: **Oct. 11, 2013**

(51) **LOC (10) Cl.** ..... **08-05**

(52) **U.S. Cl.**  
USPC ..... **D8/27**

(58) **Field of Classification Search**  
USPC ..... D8/17, 18, 19, 21, 28, 105; 81/119,  
81/120, 121.1, 124.3, 124.4, 125.1, 176.1,  
81/176.2, 186

See application file for complete search history.

(56) **References Cited**

**U.S. PATENT DOCUMENTS**

1,181,565	A *	5/1916	Block	.....	81/124.2
1,855,586	A *	4/1932	Nordstrom	.....	251/291
4,476,596	A *	10/1984	Fortune	.....	7/138
6,062,110	A *	5/2000	Julio et al.	.....	81/124.2
6,276,240	B1 *	8/2001	Blacklock	.....	81/119
D467,480	S *	12/2002	Kelleghan	.....	D8/40

D477,197	S *	7/2003	Yates	.....	D8/21
D515,372	S *	2/2006	Marston	.....	D8/21
7,107,880	B2 *	9/2006	Kitchen et al.	.....	81/176.1
D530,167	S *	10/2006	Tripp, Jr.	.....	D8/29
D635,420	S *	4/2011	Fischer	.....	D8/28

\* cited by examiner

*Primary Examiner* — Randall Gholson

(74) *Attorney, Agent, or Firm* — Jonathan Jaech; Snell & Wilmer L.L.P.

(57) **CLAIM**

The ornamental design for an oval-headed universal wrench, as shown and described.

**DESCRIPTION**

FIG. 1 is a perspective view of an oval-headed universal wrench, including an array of holes in the handle.

FIG. 2 is a top plan view of the wrench shown in FIG. 1.

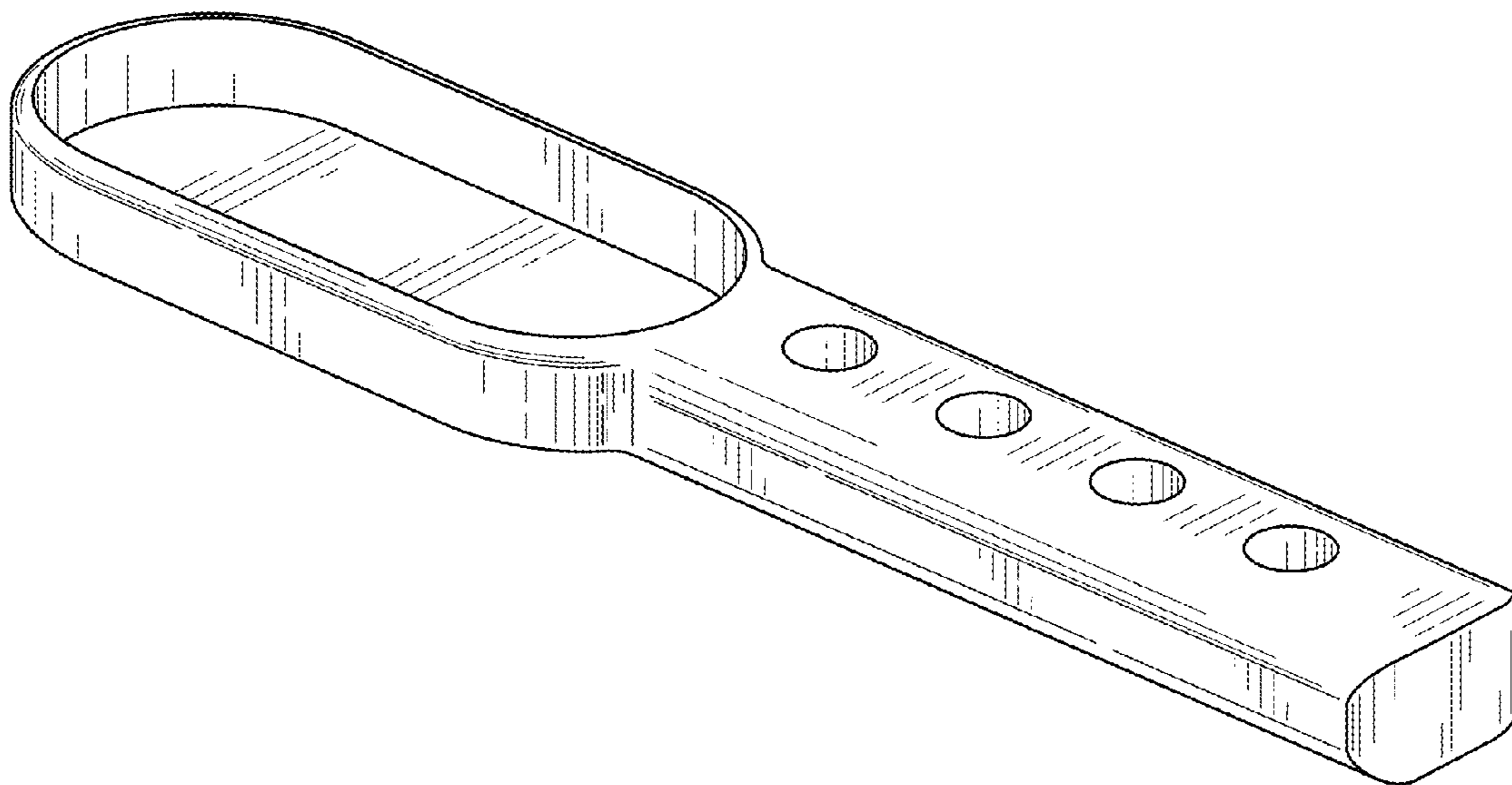
FIG. 3 is a bottom plan view of the wrench shown in FIG. 1.

FIG. 4 is a handle-end view of the wrench shown in FIG. 1.

FIG. 5 is a head-end view of the wrench shown in FIG. 1; and,

FIG. 6 is an elevation view of the wrench of FIG. 1. The wrench is symmetrical around a plane parallel to the viewing plane passing through the wrench's longitudinal central axis, as apparent in FIGS. 2-3.

**1 Claim, 3 Drawing Sheets**



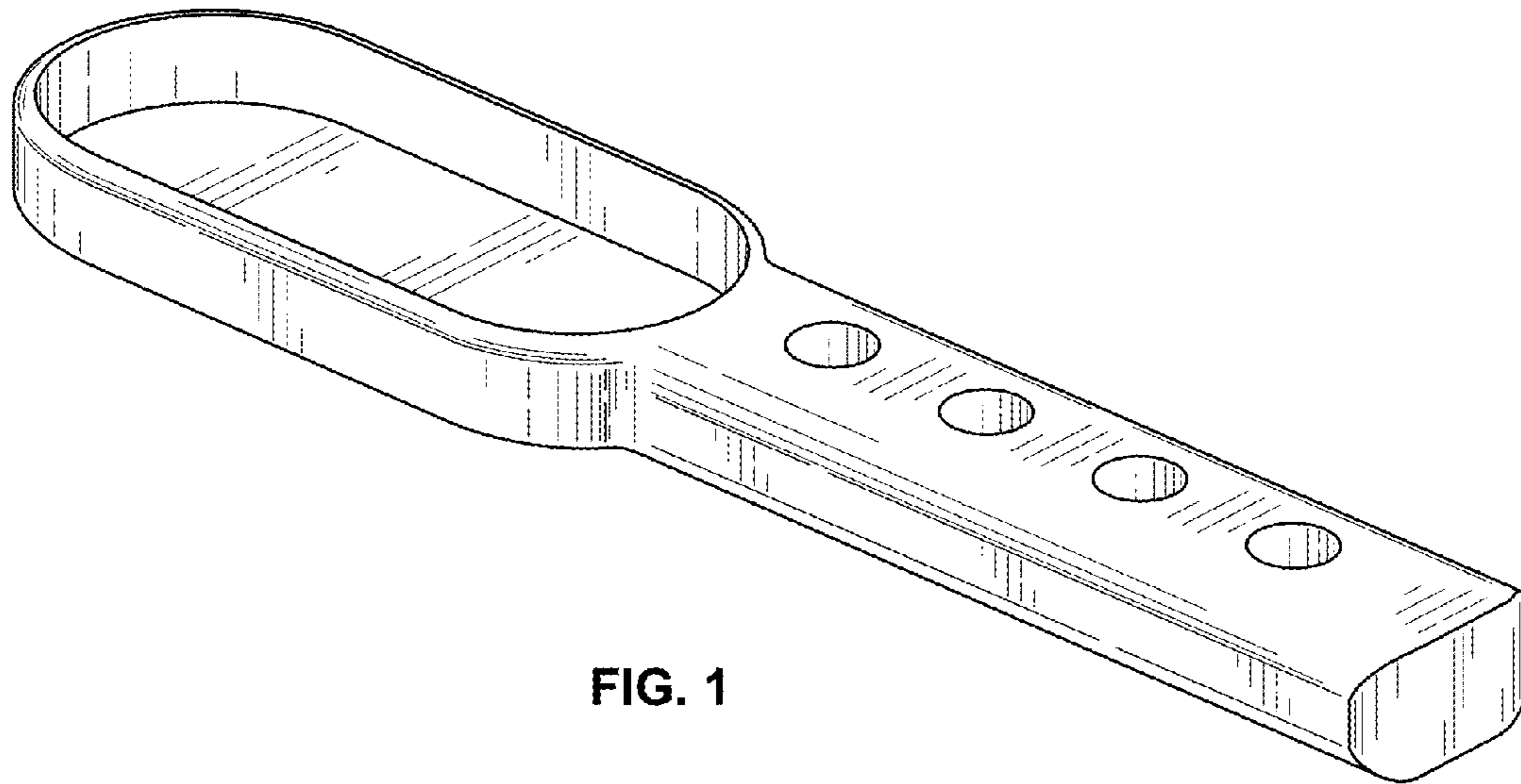


FIG. 1

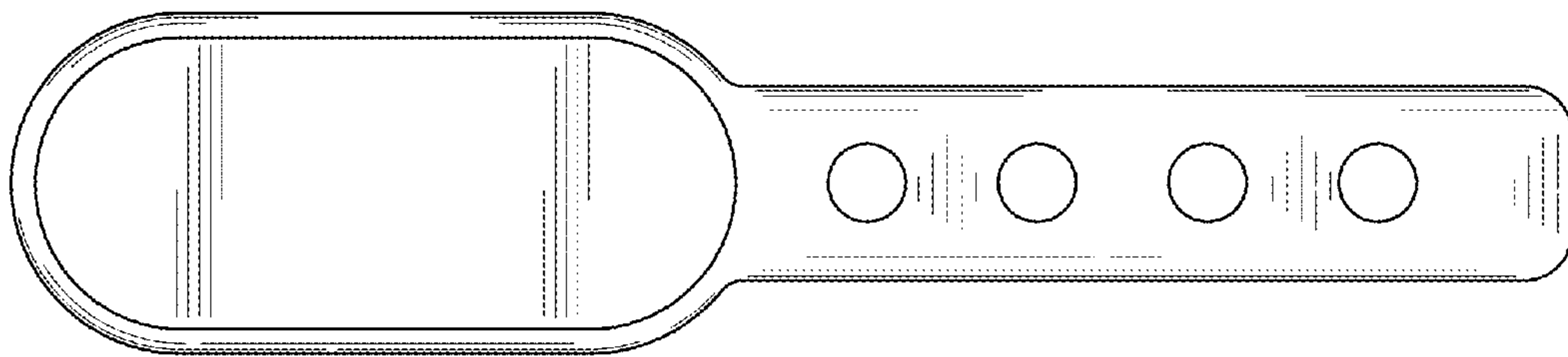


FIG. 2

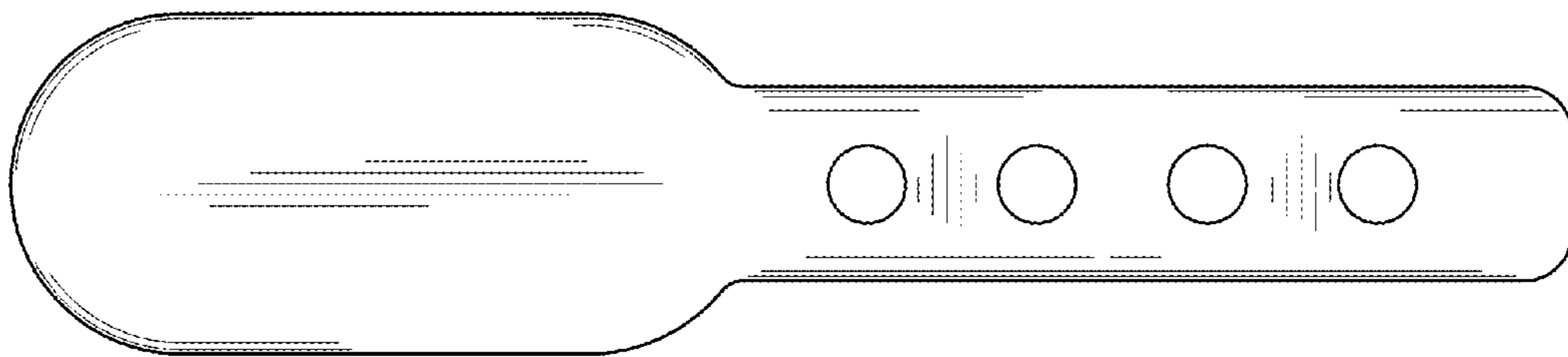


FIG. 3

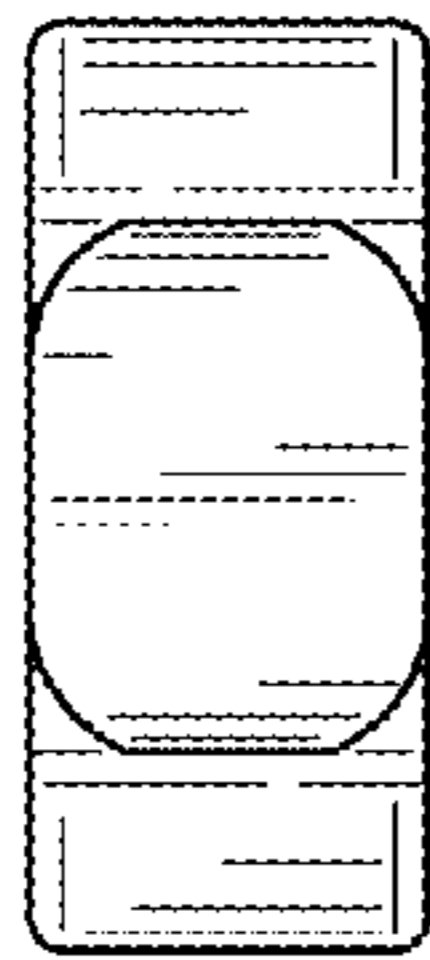


FIG. 4

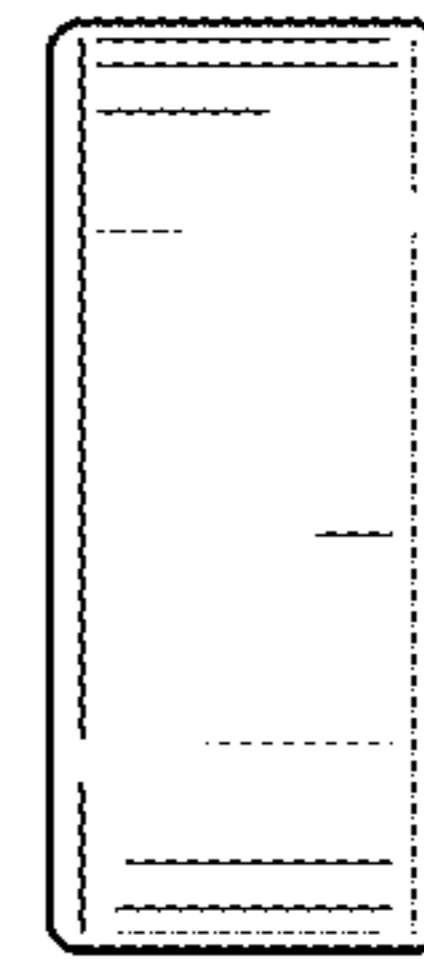


FIG. 5

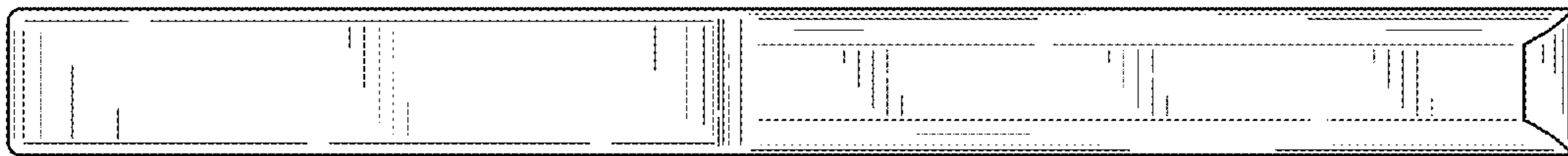


FIG. 6