



US00D727121S

(12) **United States Design Patent**  
**Huggins**

(10) **Patent No.:** **US D727,121 S**

(45) **Date of Patent:** **\*\* Apr. 21, 2015**

(54) **RECTANGULAR-HEADED UNIVERSAL WRENCH**

(71) Applicant: **John Huggins**, Los Angeles, CA (US)

(72) Inventor: **John Huggins**, Los Angeles, CA (US)

(\*\*) Term: **14 Years**

(21) Appl. No.: **29/469,659**

(22) Filed: **Oct. 11, 2013**

(51) **LOC (10) Cl.** ..... **08-05**

(52) **U.S. Cl.**  
USPC ..... **D8/27**

(58) **Field of Classification Search**  
USPC ..... D8/17, 18, 19, 21, 28, 105; 81/119,  
81/120, 121.1, 124.3, 124.4, 125.1, 176.1,  
81/176.2, 186

See application file for complete search history.

(56) **References Cited**

**U.S. PATENT DOCUMENTS**

1,181,565 A \* 5/1916 block ..... 81/124.2  
1,855,586 A \* 4/1932 Nordstrom ..... 251/291  
4,476,596 A \* 10/1984 Fortune ..... 7/138

6,062,110 A \* 5/2000 Julio et al. .... 81/124.2  
6,276,240 B1 \* 8/2001 Blacklock ..... 81/119  
D467,480 S \* 12/2002 Kelleghan ..... D8/40  
D477,197 S \* 7/2003 Yates ..... D8/21  
D515,372 S \* 2/2006 Marston ..... D8/21  
7,107,880 B2 \* 9/2006 Kitchen et al. .... 81/176.1  
D530,167 S \* 10/2006 Tripp, Jr. .... D8/29  
D635,420 S \* 4/2011 Fischer ..... D8/28

\* cited by examiner

*Primary Examiner* — Randall Gholson

(74) *Attorney, Agent, or Firm* — Jonathan Jaech; Snell & Wilmer L.L.P.

(57) **CLAIM**

The ornamental design for a rectangular-headed universal wrench, as shown and described.

**DESCRIPTION**

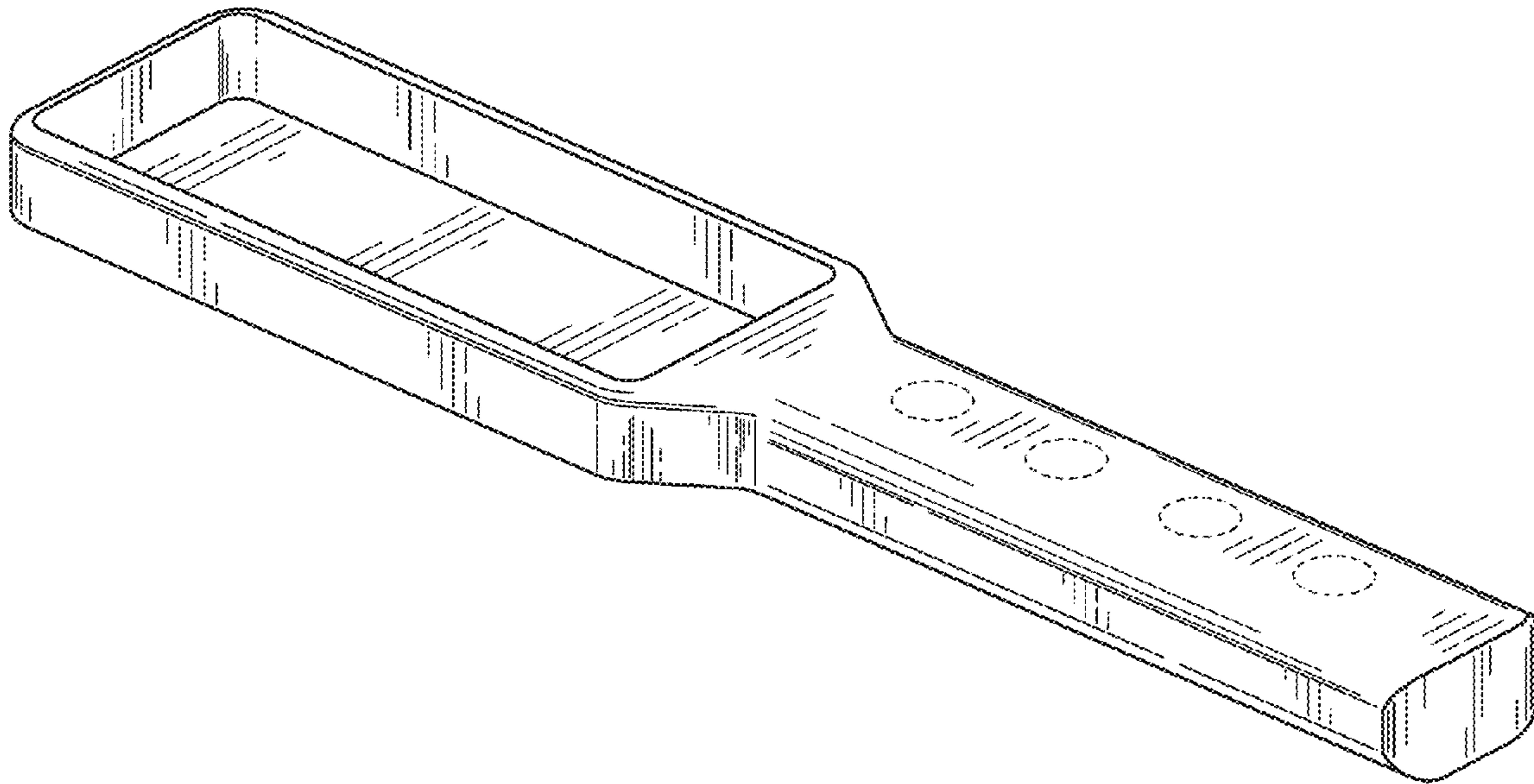
FIG. 1 is a perspective view of a rectangular-headed universal wrench, excluding an array of holes in the handle.

FIG. 2 is a top plan view of the wrench shown in FIG. 1; and,

FIG. 3 is a bottom plan view of the wrench shown in FIG. 1.

The broken lines depict portions of the rectangular-headed universal wrench that form no part of the claimed design.

**1 Claim, 2 Drawing Sheets**



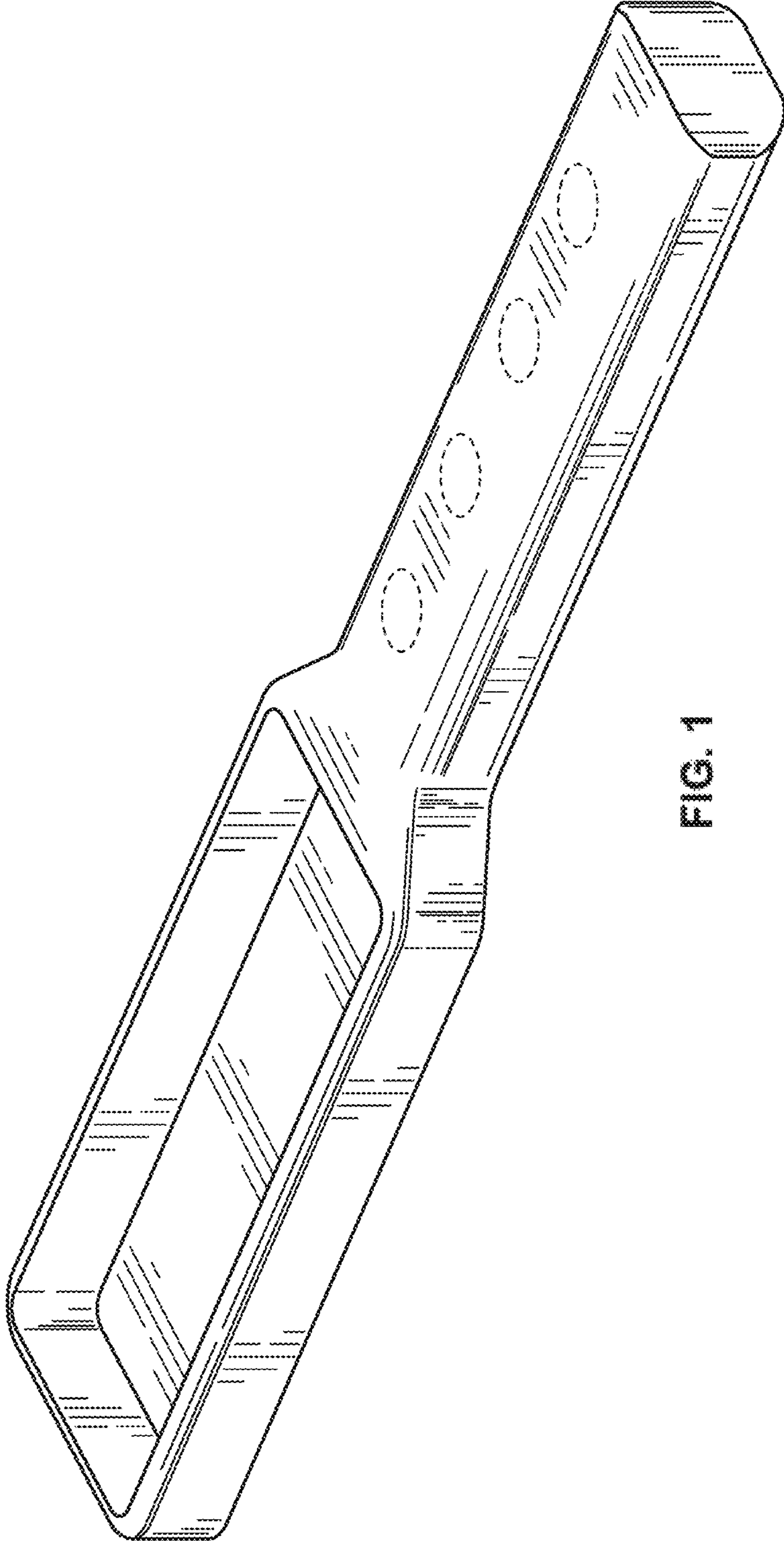


FIG. 1

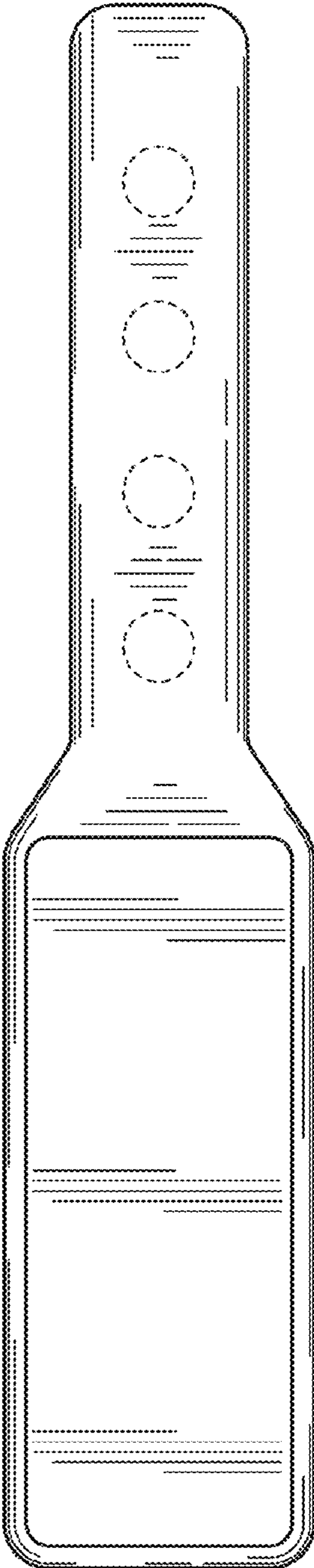


FIG. 2

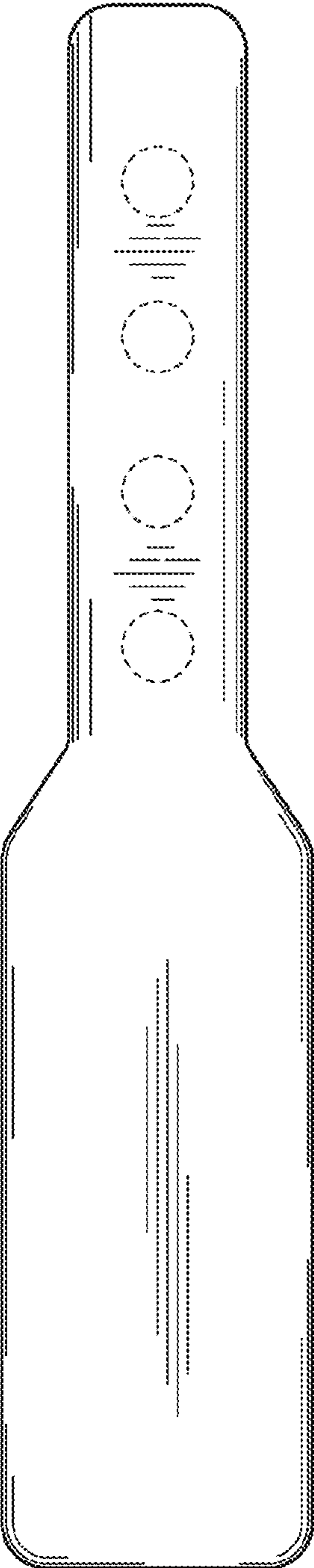


FIG. 3