



US00D727120S

(12) **United States Design Patent**  
**Wang**

(10) **Patent No.:** **US D727,120 S**

(45) **Date of Patent:** **\*\* Apr. 21, 2015**

(54) **DIRECTION INTERACTIVE MEMBER OF A WRENCH**

(71) Applicant: **Long Ching Wang**, Taichung (TW)

(72) Inventor: **Long Ching Wang**, Taichung (TW)

(\*\*) Term: **14 Years**

(21) Appl. No.: **29/478,444**

(22) Filed: **Jan. 6, 2014**

(51) **LOC (10) Cl.** ..... **08-05**

(52) **U.S. Cl.**  
USPC ..... **D8/25**

(58) **Field of Classification Search**

CPC ..... B25B 13/48; B25B 13/02; B25B 13/04  
USPC ..... D8/70, 71; D15/138, 139, 140;  
D23/262; 82/158; 279/19.3, 19.5;  
299/10, 104; 407/64, 99, 101, 102,  
407/117; 408/143, 144, 223, 226, 239, 240  
See application file for complete search history.

(56) **References Cited**

**U.S. PATENT DOCUMENTS**

3,393,587 A \* 7/1968 Jolliff et al. .... 81/63.2  
D235,343 S \* 6/1975 Otto ..... D23/262

5,941,140 A \* 8/1999 Suksi ..... 81/59.1  
6,101,901 A \* 8/2000 Daigle ..... 81/60  
6,112,624 A \* 9/2000 Chen ..... 81/59.1  
D529,778 S \* 10/2006 Albertson et al. .... D8/70  
D571,835 S \* 6/2008 Concari et al. .... D15/139  
D572,737 S \* 7/2008 Okamoto ..... D15/143  
D585,918 S \* 2/2009 Chiang ..... D15/139  
7,584,686 B2 \* 9/2009 Tsai ..... 81/60  
D602,056 S \* 10/2009 Lin ..... D15/139

\* cited by examiner

*Primary Examiner* — Randall Gholson

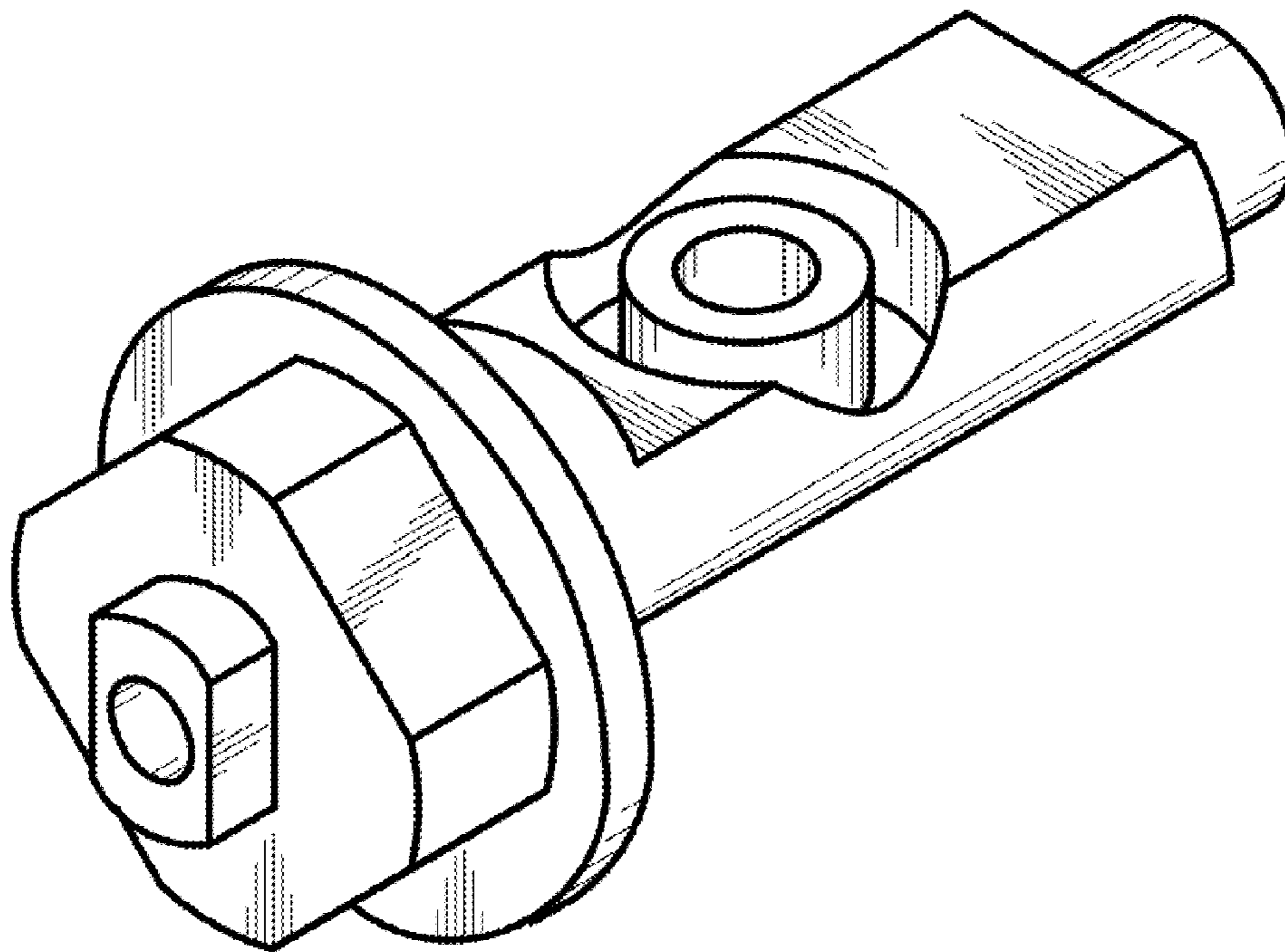
(57) **CLAIM**

The ornamental design for a direction interactive member of a wrench, as shown and described.

**DESCRIPTION**

FIG. 1 is a perspective view of a direction interactive member of a wrench showing my design;  
FIG. 2 is a front elevational view thereof;  
FIG. 3 is a rear elevational view thereof;  
FIG. 4 is a left side elevational view thereof;  
FIG. 5 is a right side elevational view thereof;  
FIG. 6 is a top plan view thereof; and,  
FIG. 7 is a bottom plan view thereof.

**1 Claim, 4 Drawing Sheets**



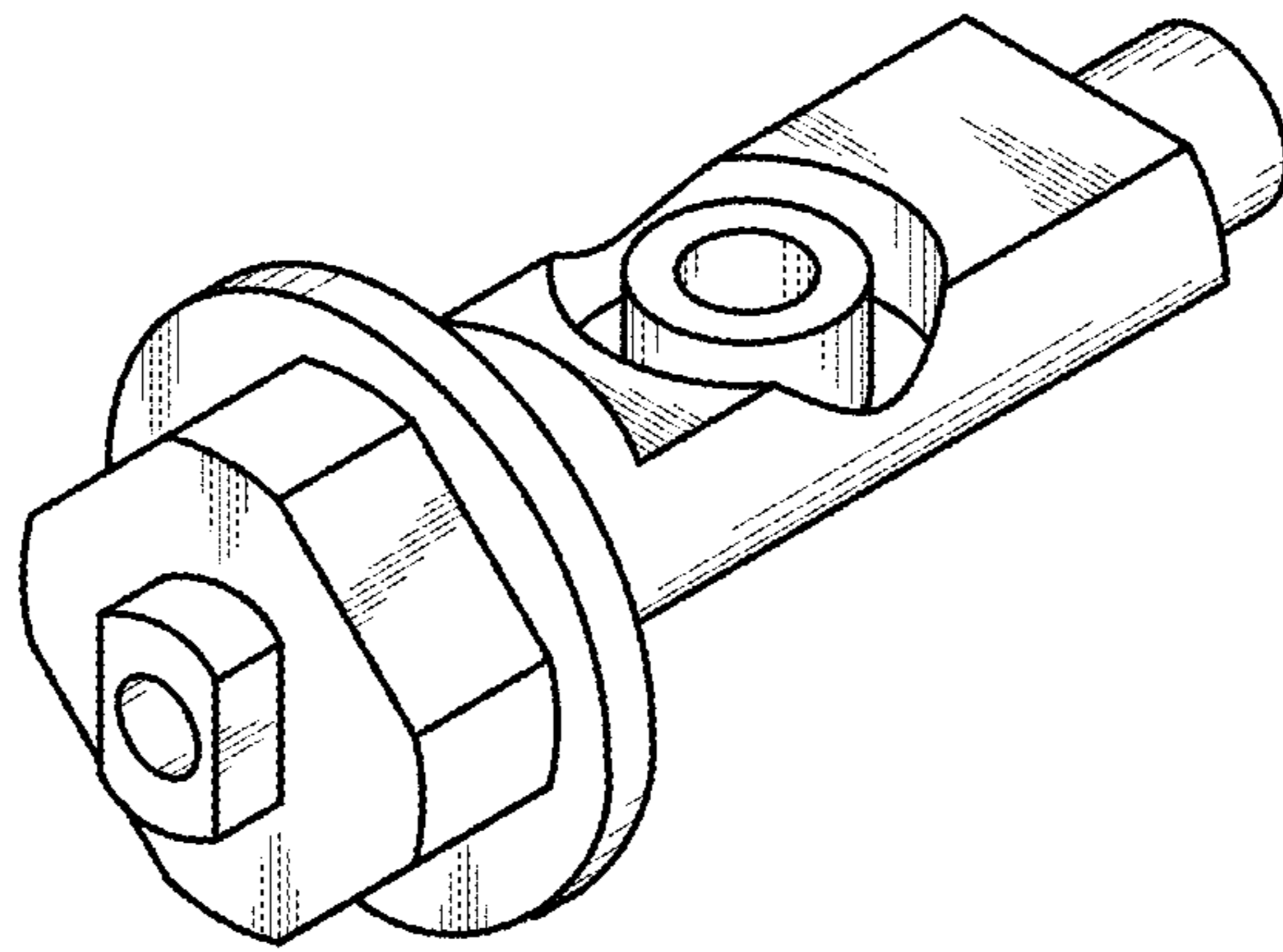


FIG. 1

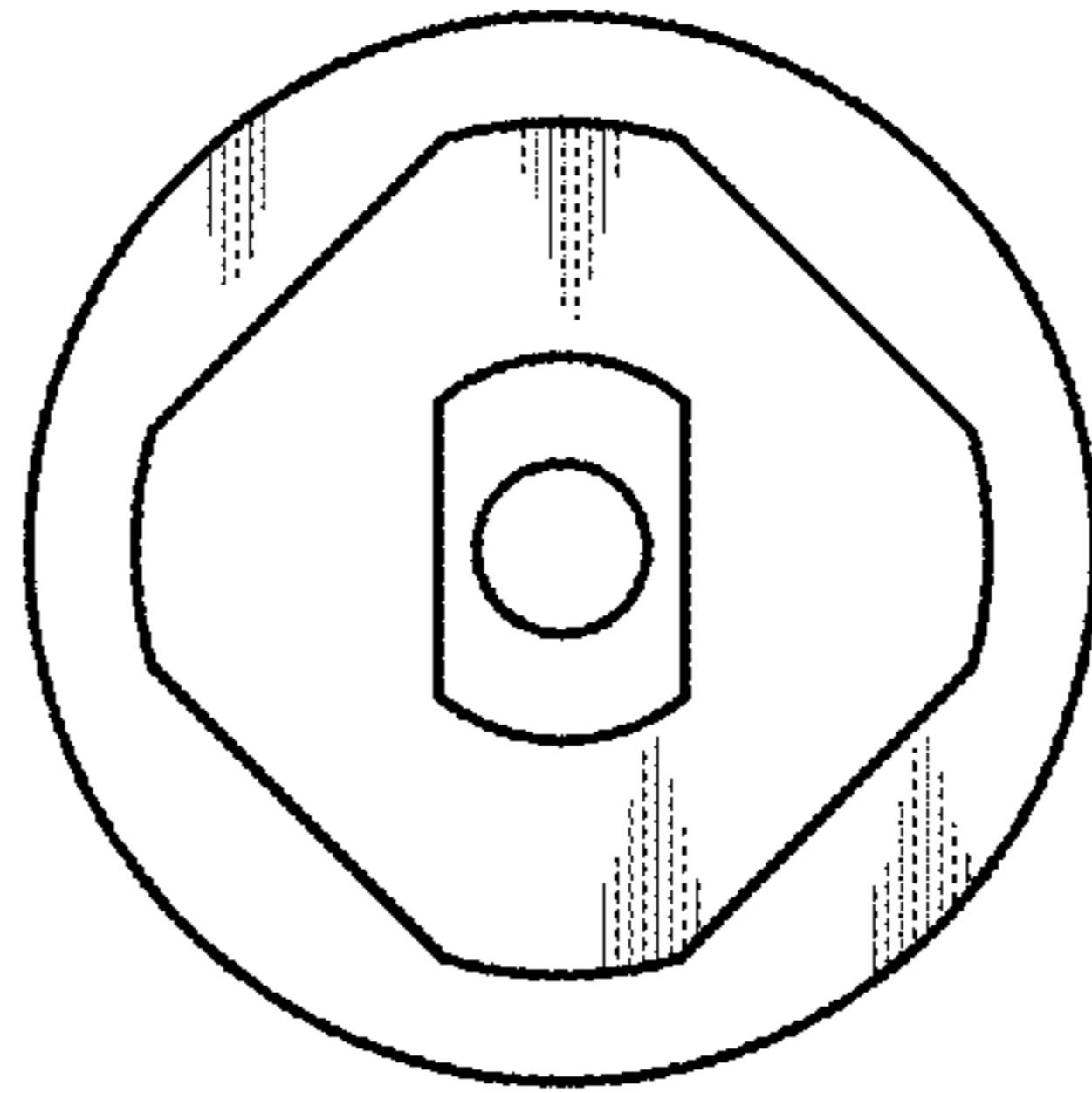


FIG. 2

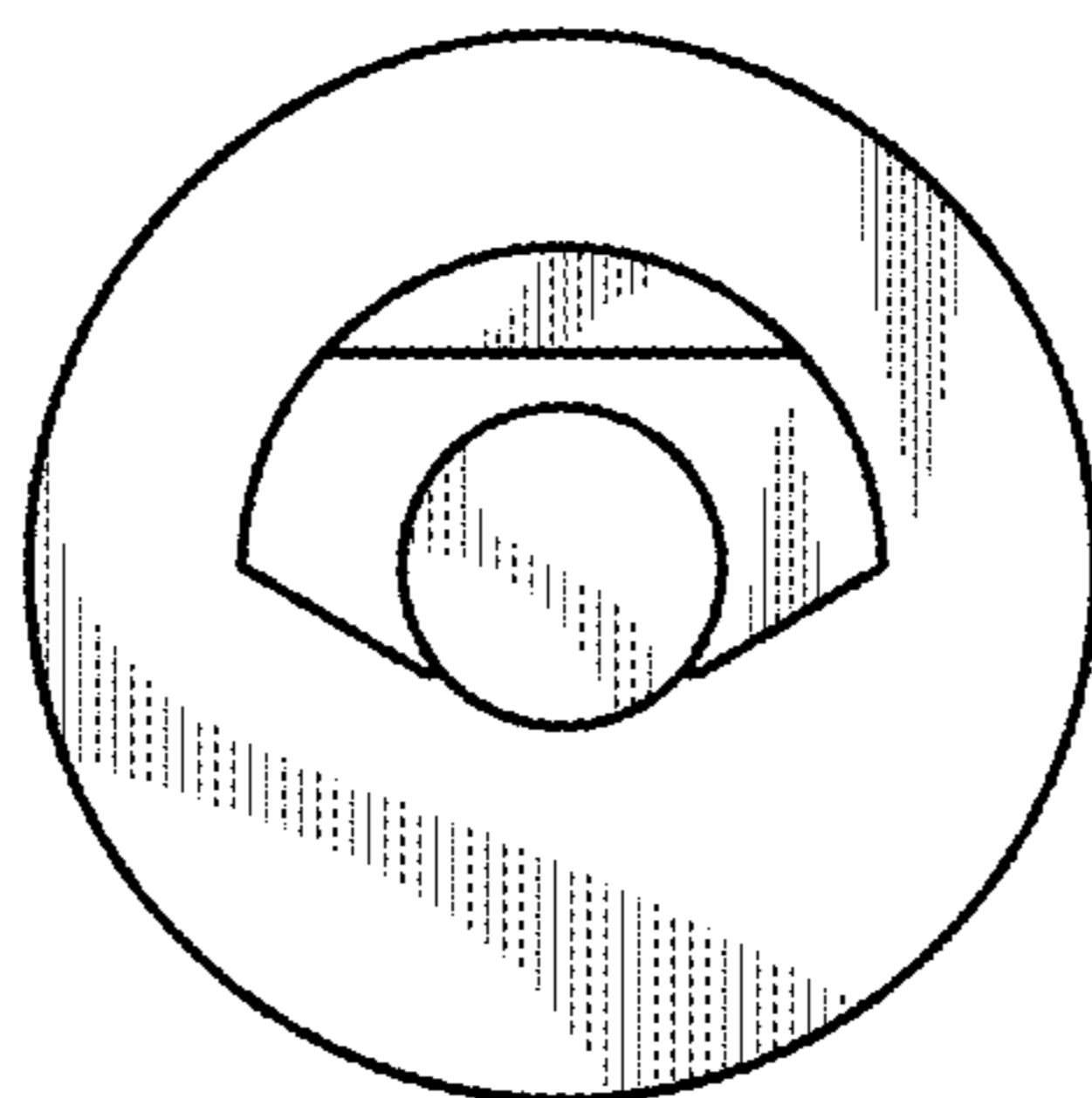


FIG. 3

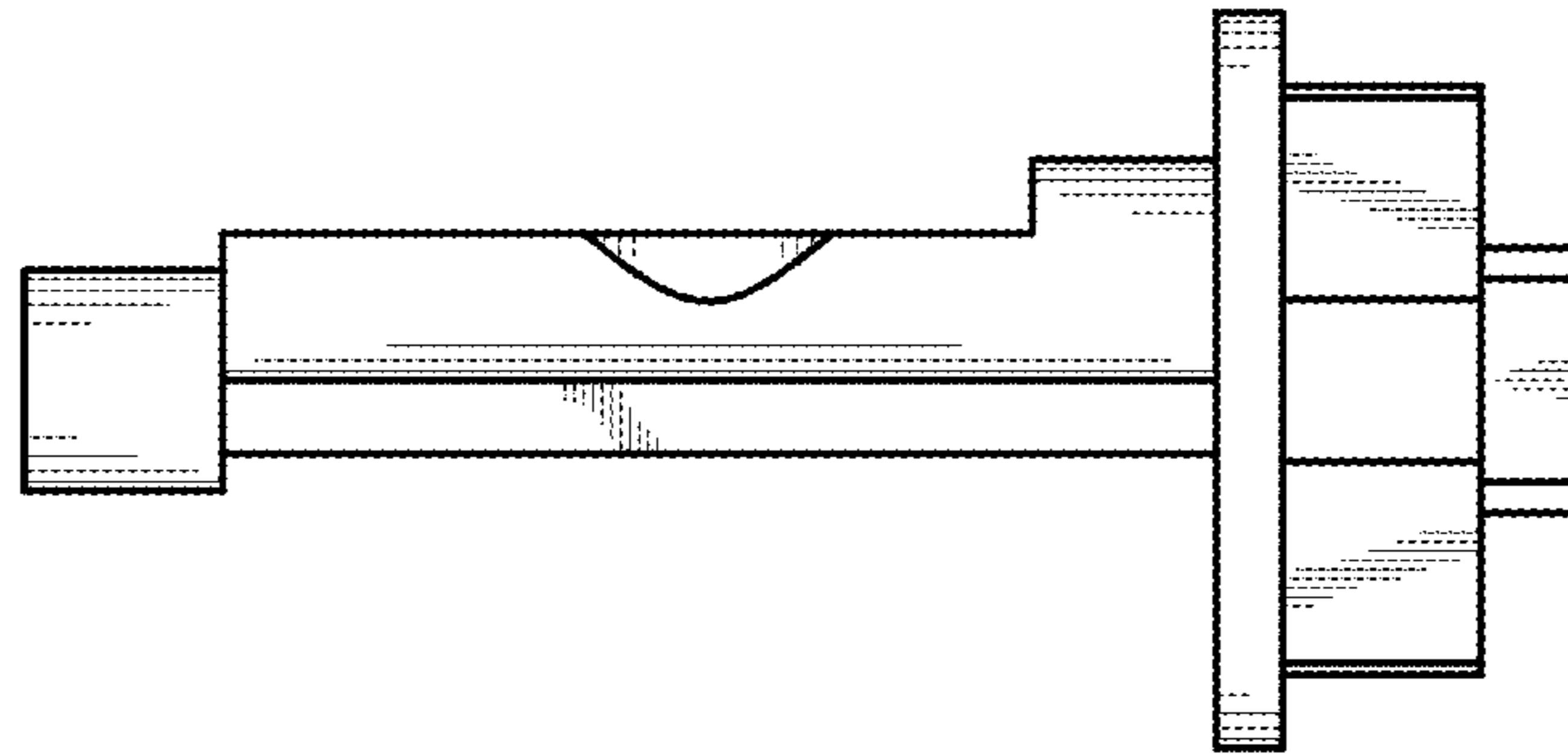


FIG.4

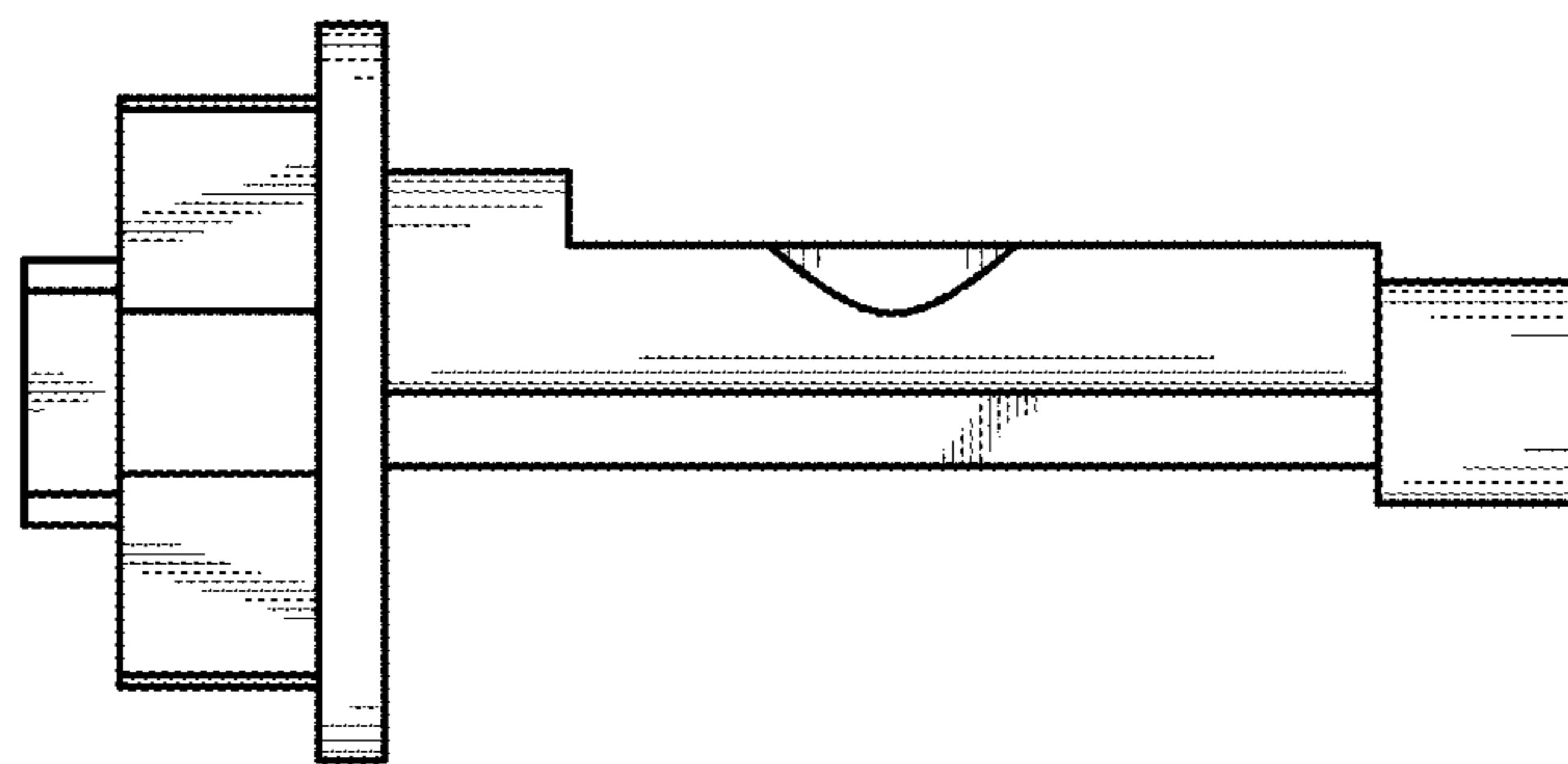


FIG.5

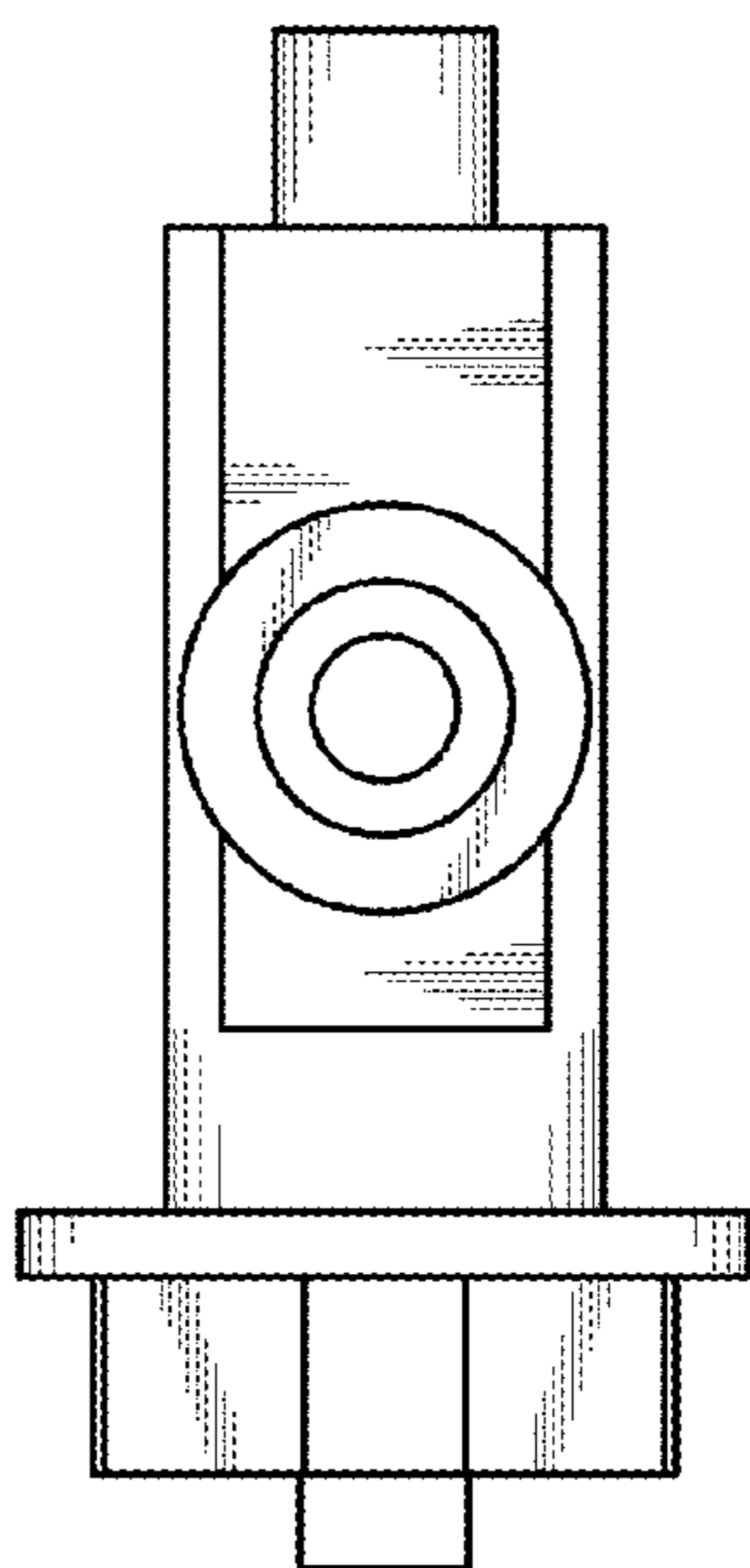


FIG. 6

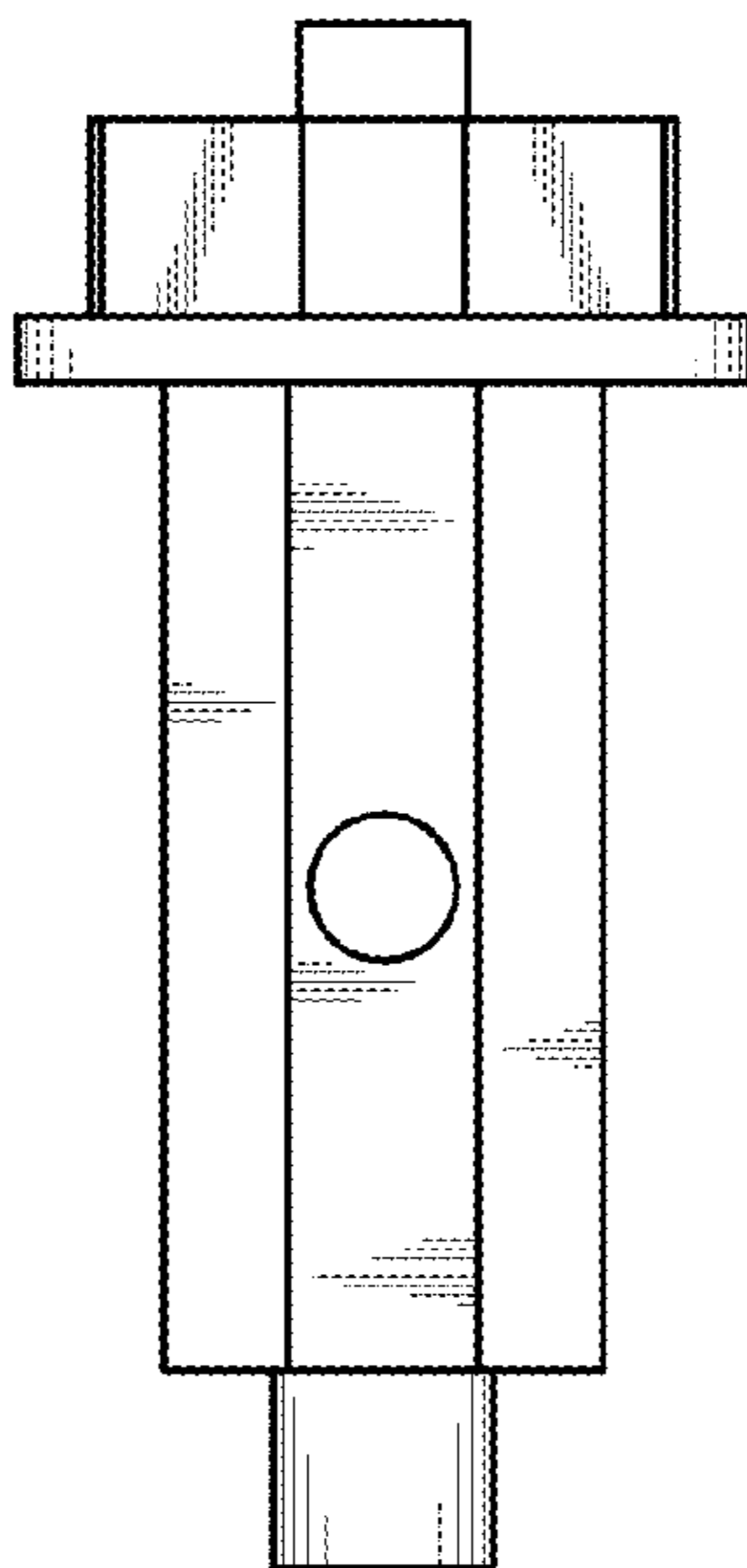


FIG. 7