



US00D727117S

(12) **United States Design Patent**
Moreau et al.

(10) **Patent No.:** **US D727,117 S**
(45) **Date of Patent:** **** Apr. 21, 2015**

(54) **TOOL COLLAR FOR HAND TOOL**

(71) Applicants: **Darrell A. Moreau**, Manchester, NH
(US); **Andre W. Moreau**, Spring Hill,
FL (US)

(72) Inventors: **Darrell A. Moreau**, Manchester, NH
(US); **Andre W. Moreau**, Spring Hill,
FL (US)

(**) Term: **14 Years**

(21) Appl. No.: **29/449,685**

(22) Filed: **Mar. 15, 2013**

Related U.S. Application Data

(63) Continuation of application No. 12/986,319, filed on
Jan. 7, 2011, now Pat. No. 8,567,290, and a
continuation of application No. 13/542,738, filed on
Jul. 6, 2012, now Pat. No. 8,567,291.

(51) **LOC (10) Cl.** **08-05**

(52) **U.S. Cl.**
USPC **D8/14**

(58) **Field of Classification Search**
USPC D8/14, 82, 83, 86, 354; 81/180.1, 184;
248/309.1, 682; D21/483; 116/63 C;
D10/113.2; D1/118; 404/6, 10
See application file for complete search history.

(56) **References Cited**

U.S. PATENT DOCUMENTS

D26,638	S	*	2/1897	Meier	D8/14
D59,742	S	*	11/1921	Hall	D8/82
2,817,308	A	*	12/1957	Scanlon	116/63 R
2,942,571	A	*	6/1960	White	116/63 R
3,618,556	A	*	11/1971	Dittrich	116/63 C
D273,657	S	*	5/1984	Hanks	D8/82
5,421,668	A	*	6/1995	Cowan et al.	404/6
D394,200	S	*	5/1998	Hartzheim	D8/354
D395,936	S	*	7/1998	Zada	D1/118
D398,822	S	*	9/1998	Webb	D8/14
D411,086	S	*	6/1999	Bolin	D8/14

D452,761	S	*	1/2002	Swift	D1/105
6,556,147	B1	*	4/2003	Fisher et al.	340/908
6,558,068	B1	*	5/2003	Wittig	404/9
6,813,976	B2		11/2004	Malvini et al.		
D499,227	S	*	12/2004	Chilles	D1/118
7,056,055	B1	*	6/2006	Kuo	404/9
D535,073	S	*	1/2007	Leaphart et al.	D32/35
D560,483	S	*	1/2008	Mercier	D8/395
D577,553	S	*	9/2008	Faust	D8/14
D579,369	S	*	10/2008	Spataro	D10/113.2
7,431,532	B2	*	10/2008	Lidster	404/6
D582,230	S	*	12/2008	Lin	D8/29
7,513,212	B2	*	4/2009	Dvoracek	116/63 C
D597,432	S	*	8/2009	Auberger	D10/113.2

(Continued)

FOREIGN PATENT DOCUMENTS

JP 09-272077 A 10/1997

Primary Examiner — Sheryl Lane

(74) *Attorney, Agent, or Firm* — Robert R. Deleault, Esq.;
Mesmer & Deleault, PLLC

(57) **CLAIM**

We claim the ornamental design for a tool collar for hand tool,
as shown and described.

DESCRIPTION

FIG. 1 is a front perspective view of a tool collar for a hand
tool showing our new design.

FIG. 2 is side view thereof.

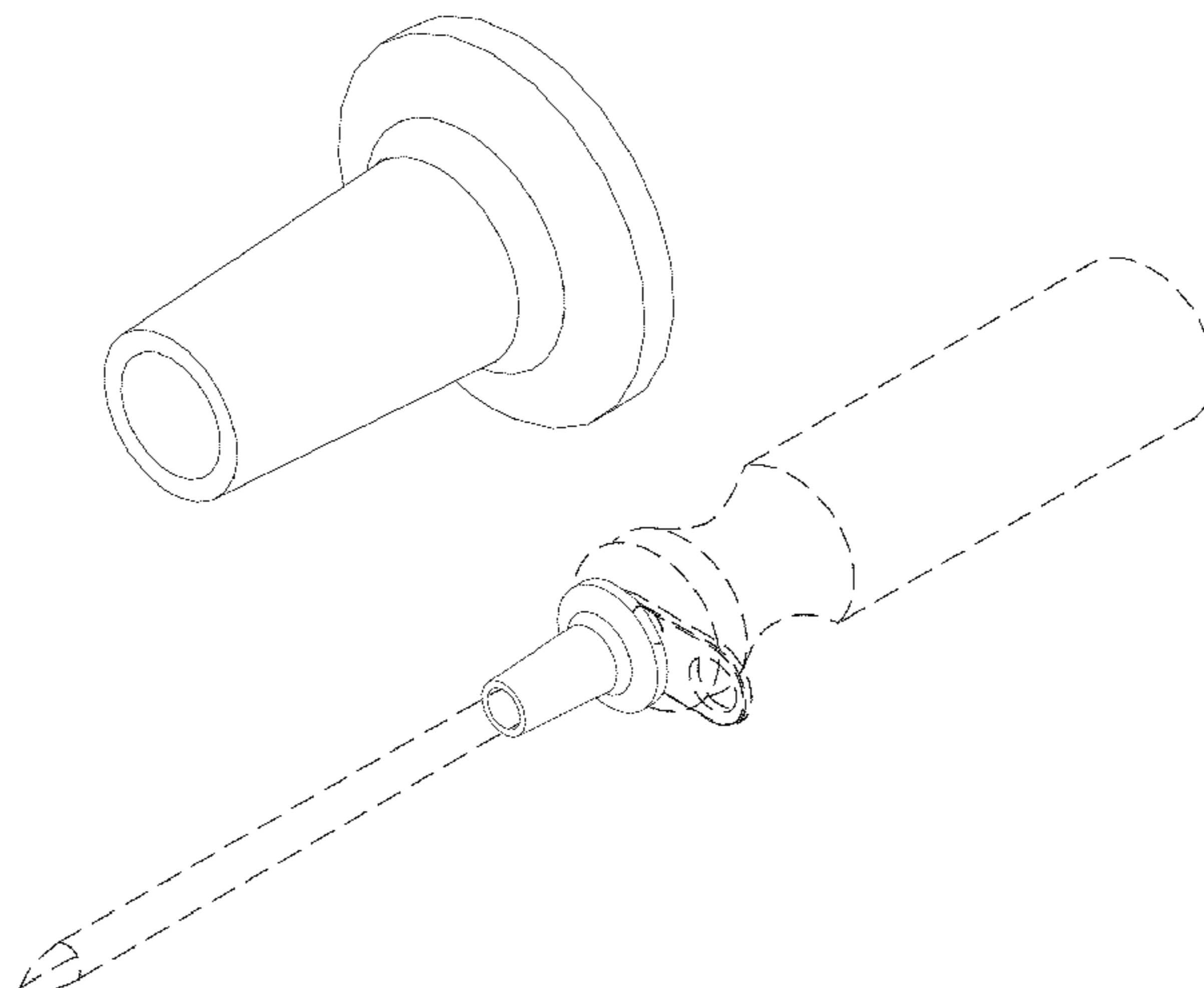
FIG. 3 is a front view thereof.

FIG. 4 is a front, perspective view of a tool collar for a
screwdriver hand tool shown at a reduced scale installed on a
tool (not claimed); and,

FIG. 5 is a front, perspective view of a tool collar for a plier
hand tool shown at a reduced scale installed on a tool (not
claimed).

The broken line showing of a tool in FIG. 4 and FIG. 5 is
included for the purpose of illustrating an example use of the
claimed tool collar with the tool and forms no part of the
claimed design.

1 Claim, 2 Drawing Sheets



(56)

References Cited

U.S. PATENT DOCUMENTS

7,673,579 B2 * 3/2010 Smith 116/63 C
D623,045 S * 9/2010 Moncade et al. D8/354
7,811,026 B1 * 10/2010 Kulp et al. 404/10
D631,544 S * 1/2011 Kraft D24/130
7,866,914 B2 * 1/2011 Kulp et al. 404/10

D671,810 S * 12/2012 Densmore D8/14
8,567,290 B2 * 10/2013 Moreau et al. 81/180.1
8,567,291 B2 * 10/2013 Moreau et al. 81/180.1
2003/0102342 A1 6/2003 Fogg
2008/0163464 A1 7/2008 Baumann
2008/0255614 A1 10/2008 Menoudakos
2010/0229347 A1 9/2010 Kish

* cited by examiner

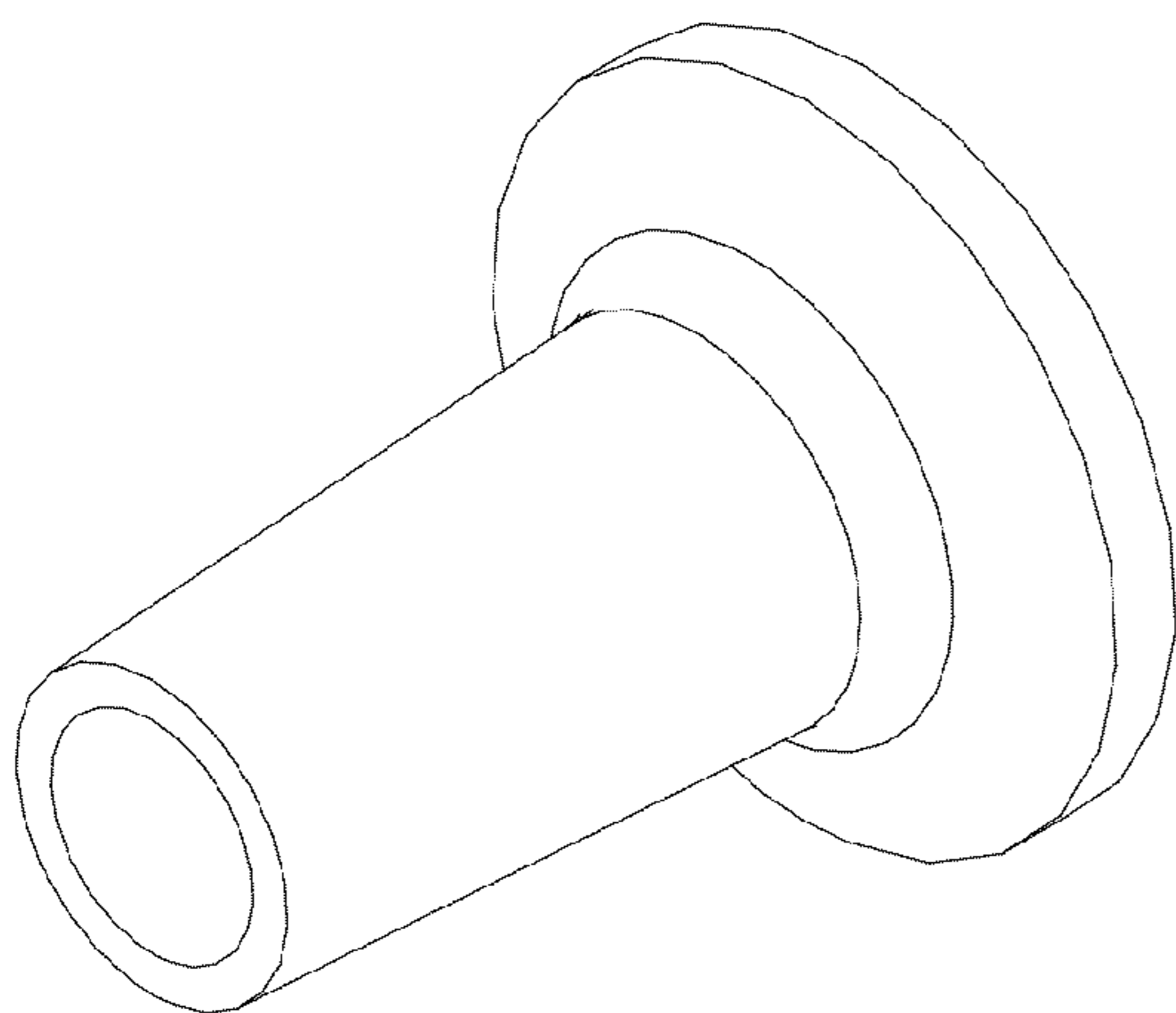


Fig. 1

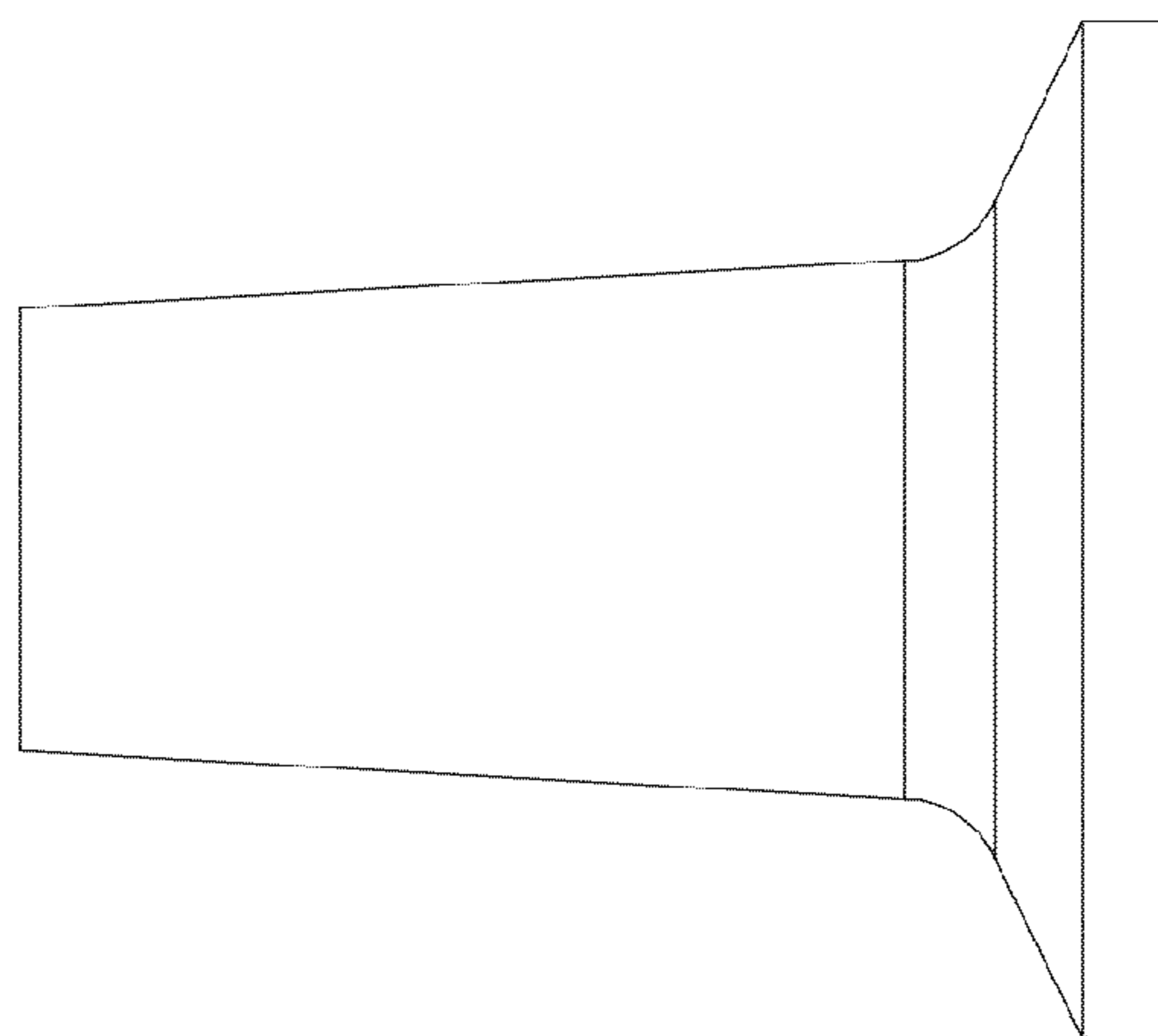


Fig. 2

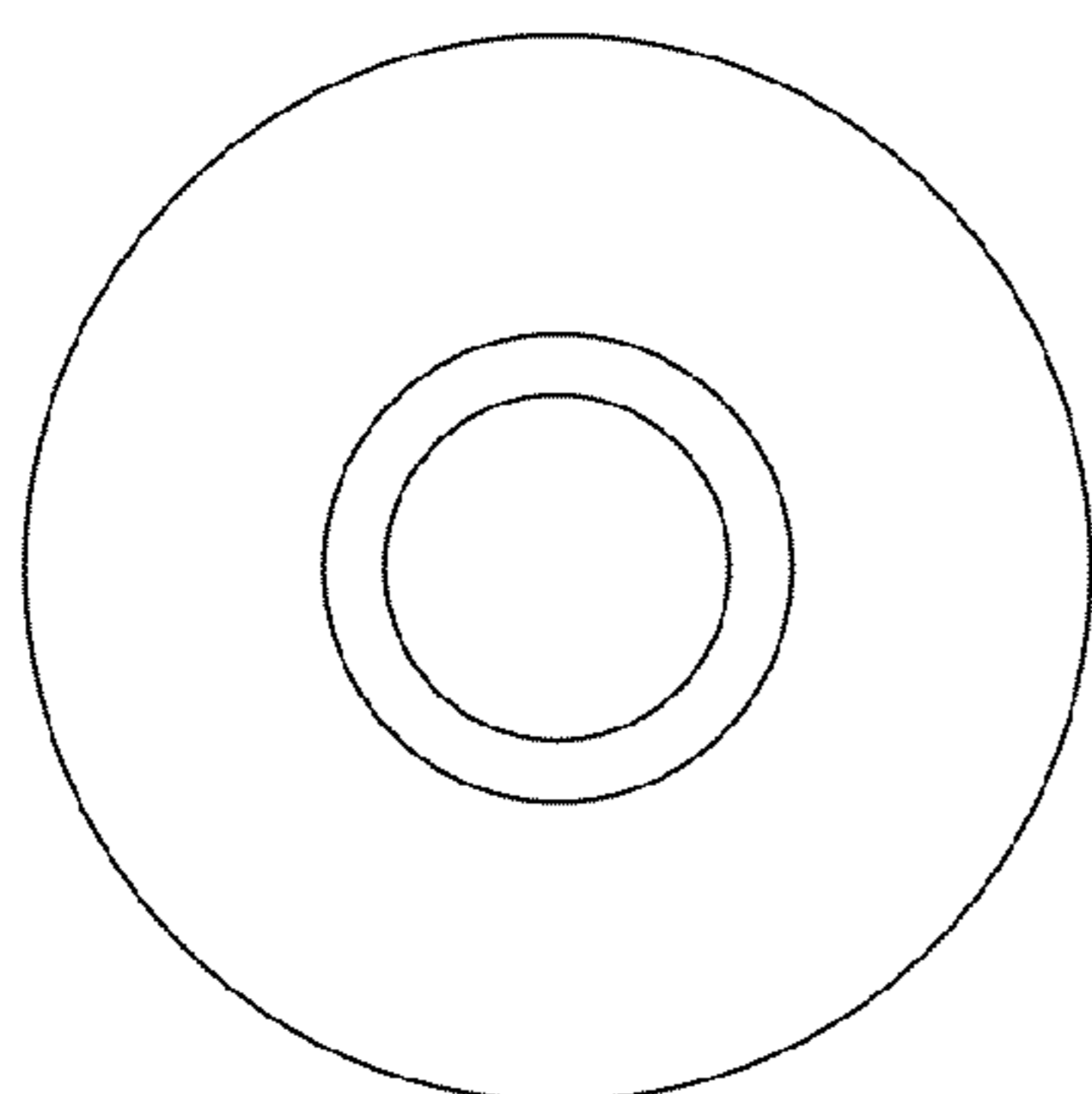


Fig. 3

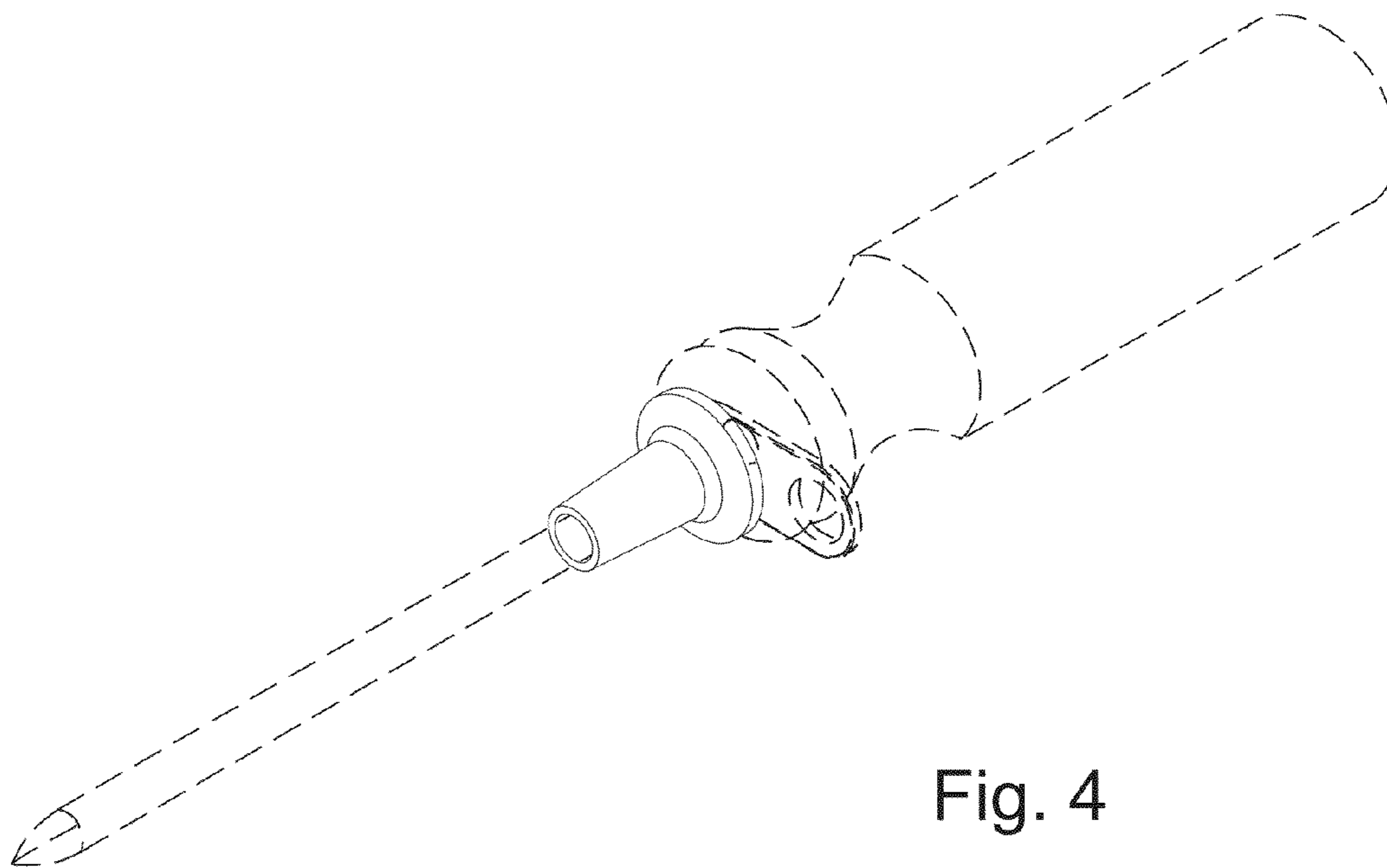


Fig. 4

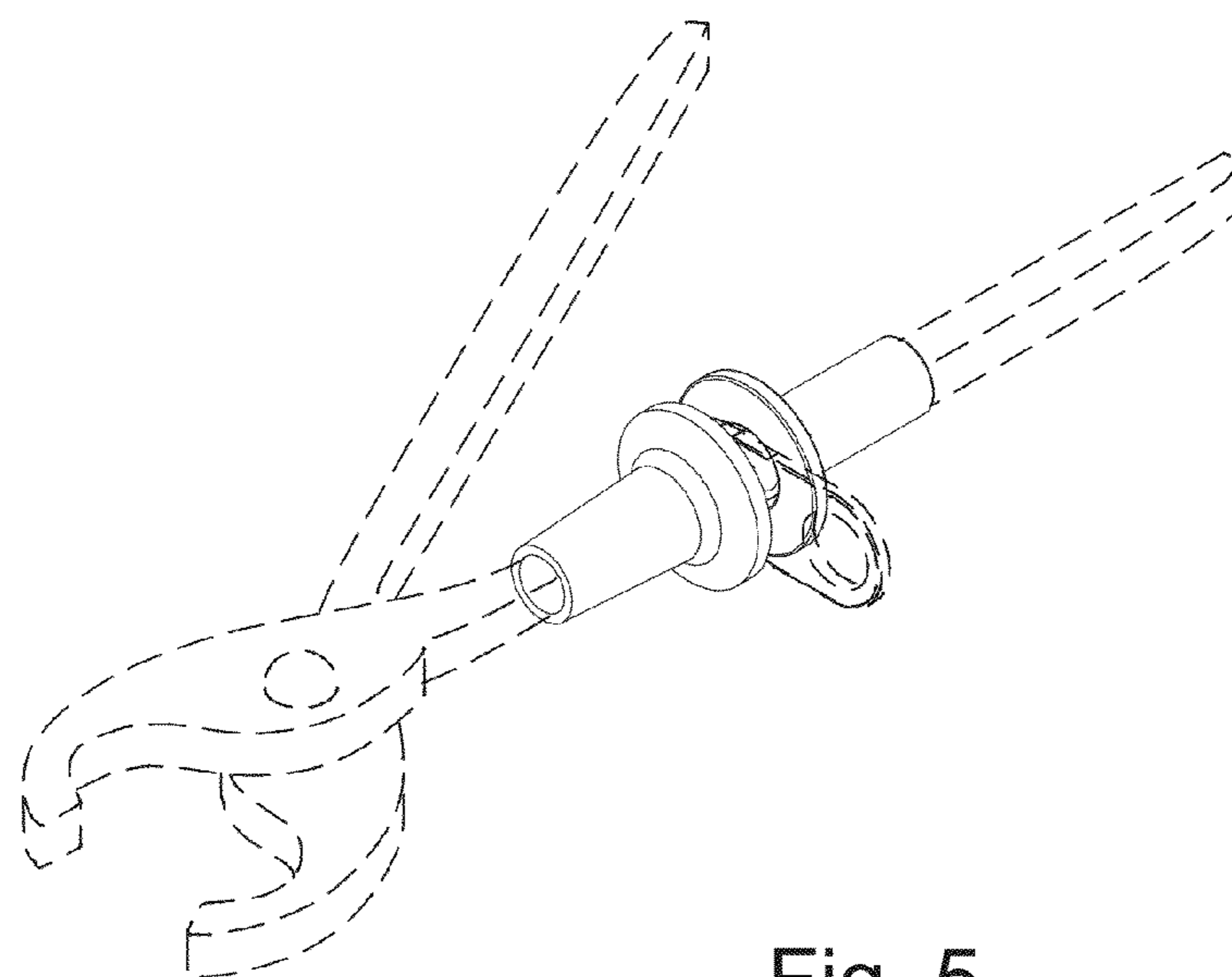


Fig. 5