



US00D727116S

(12) **United States Design Patent**
Tinius

(10) **Patent No.:** **US D727,116 S**

(45) **Date of Patent:** **** Apr. 21, 2015**

(54) **CUTTING HEAD**

(71) Applicant: **Andreas Stihl AG & Co. KG,**
Waiblingen (DE)

(72) Inventor: **Michael Tinius,** Ulm (DE)

(73) Assignee: **Andreas Stihl AG & Co., KG,**
Waiblingen (DE)

(**) Term: **14 Years**

(21) Appl. No.: **29/444,650**

(22) Filed: **Feb. 1, 2013**

(30) **Foreign Application Priority Data**

Sep. 7, 2012 (EP) 002098970-0005

(51) **LOC (10) Cl.** **08-01**

(52) **U.S. Cl.**
USPC **D8/8; D15/17**

(58) **Field of Classification Search**
USPC D15/1, 16, 17, 28; D8/1, 7, 8, 9;
30/276, 347, 208-210, 228, 282, 283;
56/127, 295, 12.7, 233, 234, DIG. 17;
12/56.7, 295

See application file for complete search history.

(56) **References Cited**

U.S. PATENT DOCUMENTS

D254,173 S * 2/1980 Proulx D8/8
D298,905 S * 12/1988 Petherick et al. D8/8
D335,674 S * 5/1993 Hoshino D15/18
D340,462 S * 10/1993 Cowart D15/17

D346,727 S * 5/1994 Eriksson D8/8
D362,600 S * 9/1995 Kiyooka et al. D8/8
5,577,374 A * 11/1996 Huston 56/12.1
D460,904 S * 7/2002 Riley et al. D8/8
D465,975 S * 11/2002 Iacona D8/8
D479,961 S * 9/2003 Iacona D8/8
D482,581 S * 11/2003 Nystrom D8/8
D482,941 S * 12/2003 Nystrom D8/8
D502,368 S * 3/2005 Nystrom et al. D8/8
D560,107 S * 1/2008 Grey D8/8
D597,804 S * 8/2009 Alliss D8/8
D598,254 S * 8/2009 Alliss D8/8
D598,255 S * 8/2009 Alliss D8/8
7,882,642 B2 * 2/2011 Proulx 30/276
D653,920 S * 2/2012 Cigarini D8/8
D715,608 S * 10/2014 Cigarini D8/8

* cited by examiner

Primary Examiner — Mark Goodwin

(74) *Attorney, Agent, or Firm* — McGuireWoods LLP

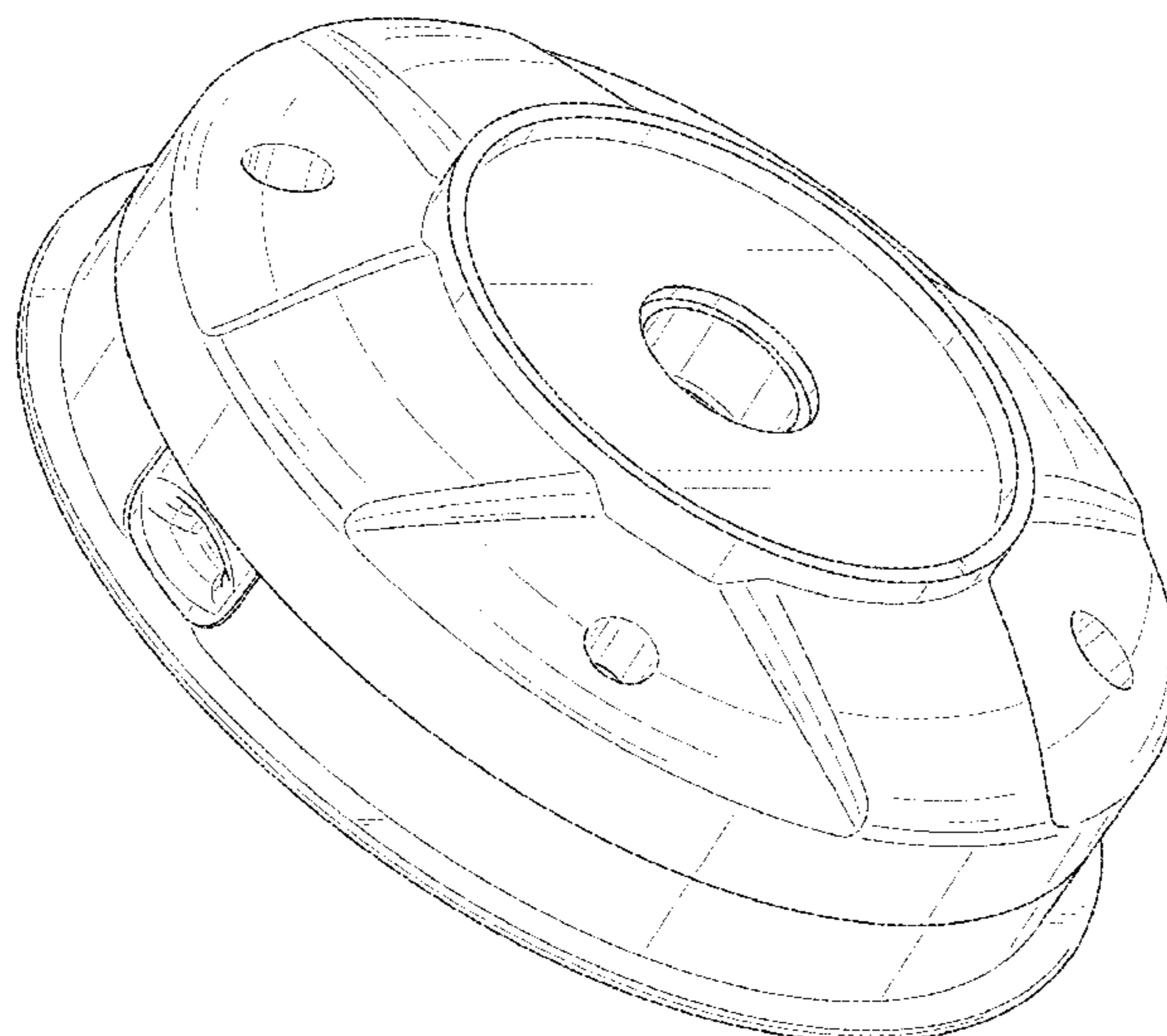
(57) **CLAIM**

I claim the ornamental design for a cutting head, as shown and described.

DESCRIPTION

FIG. 1 is a left-front side perspective view of the cutting head;
FIG. 2 is a front side view of the cutting head shown in FIG. 1;
FIG. 3 is a back side view of the cutting head shown in FIG. 1;
FIG. 4 is a left side view of the cutting head shown in FIG. 1;
FIG. 5 is a right side of the cutting head shown in FIG. 1;
FIG. 6 is a top view of the cutting head shown in FIG. 1; and,
FIG. 7 is a bottom view of the cutting head shown in FIG. 1.

1 Claim, 7 Drawing Sheets



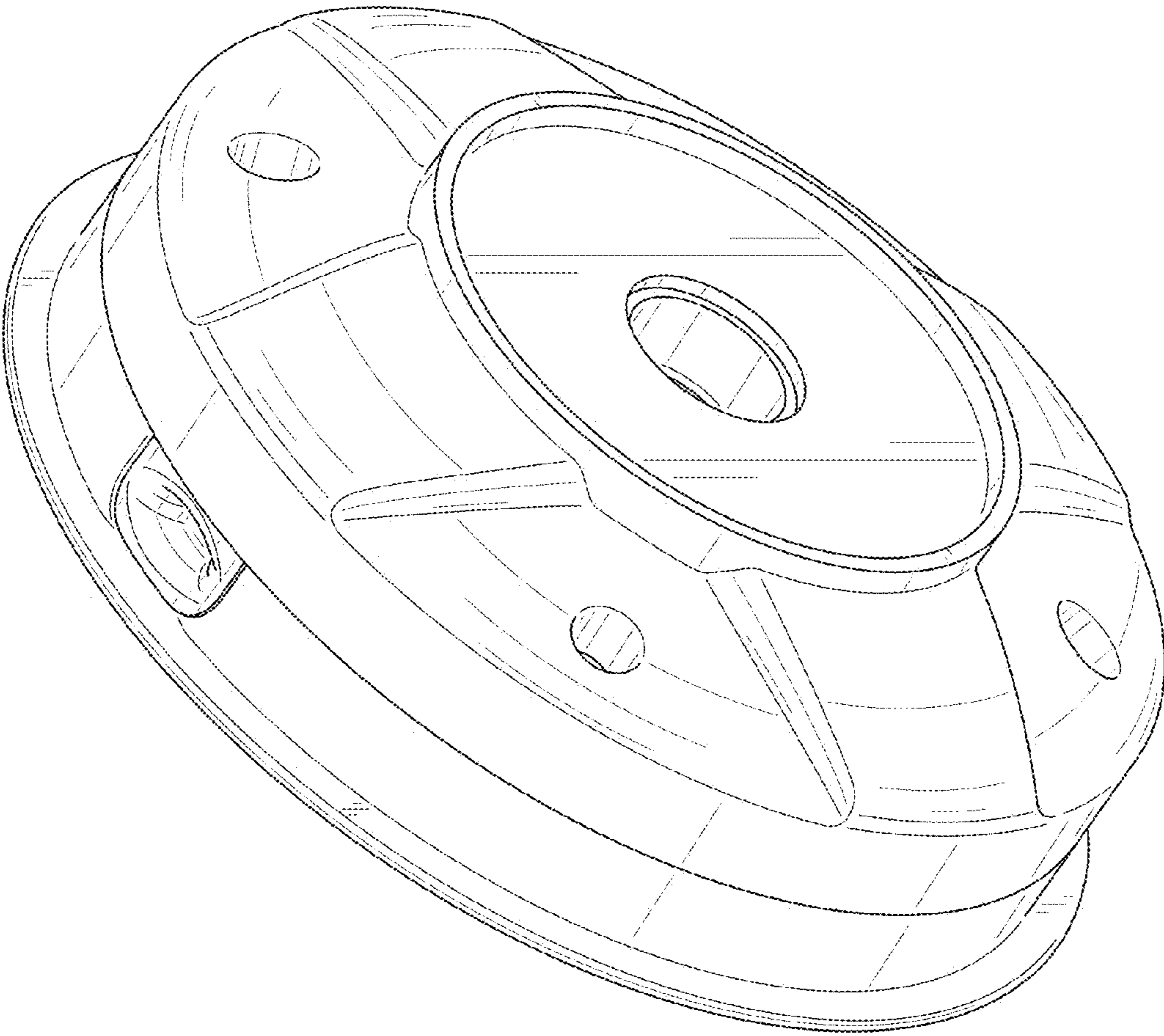


FIG. 1

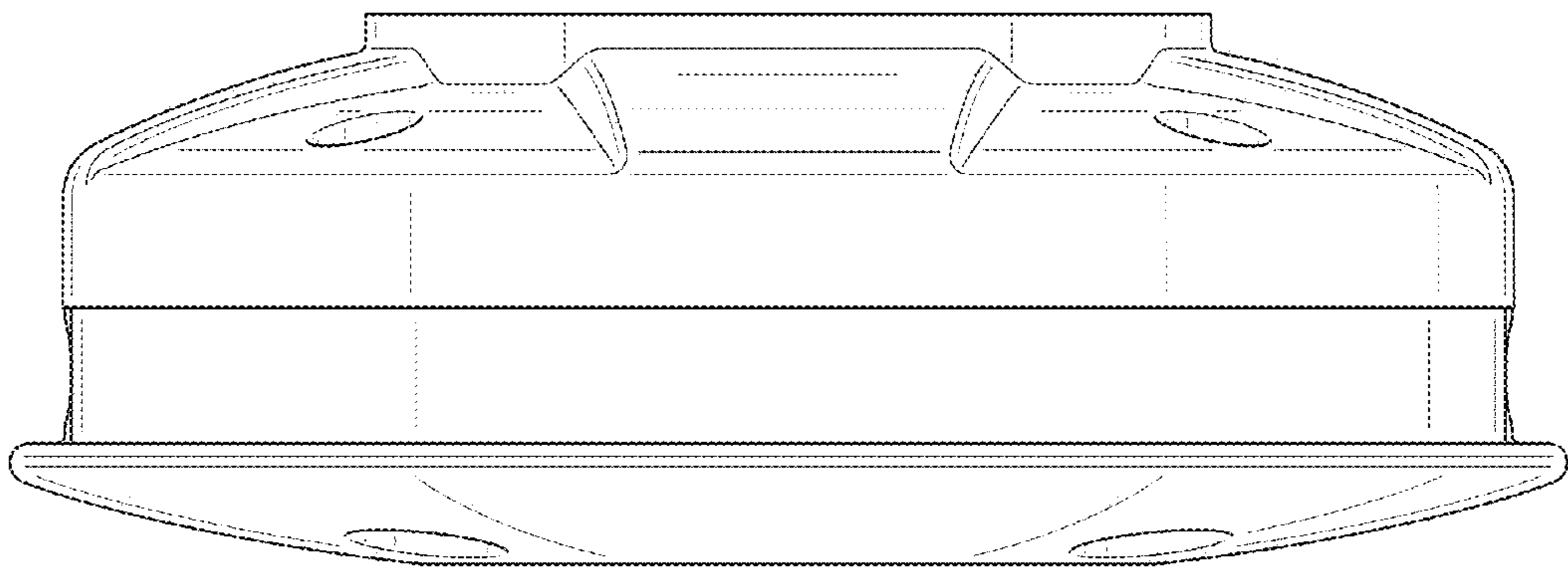


FIG. 2

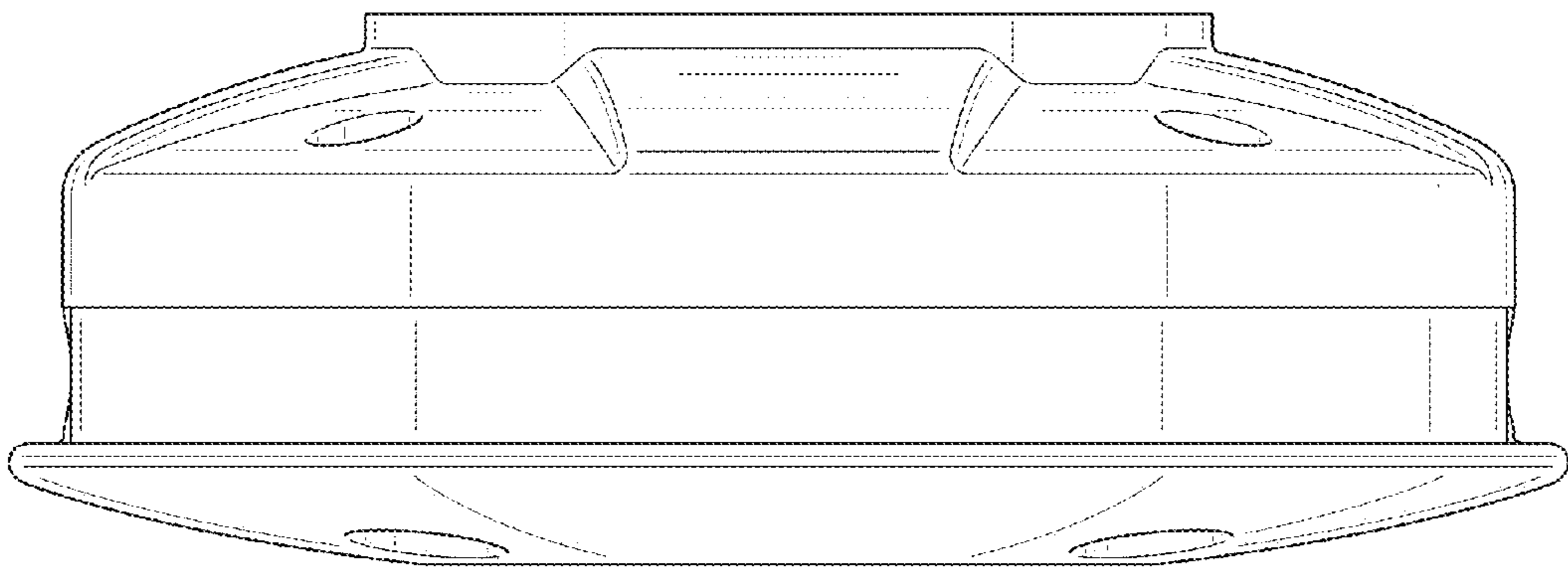


FIG. 3

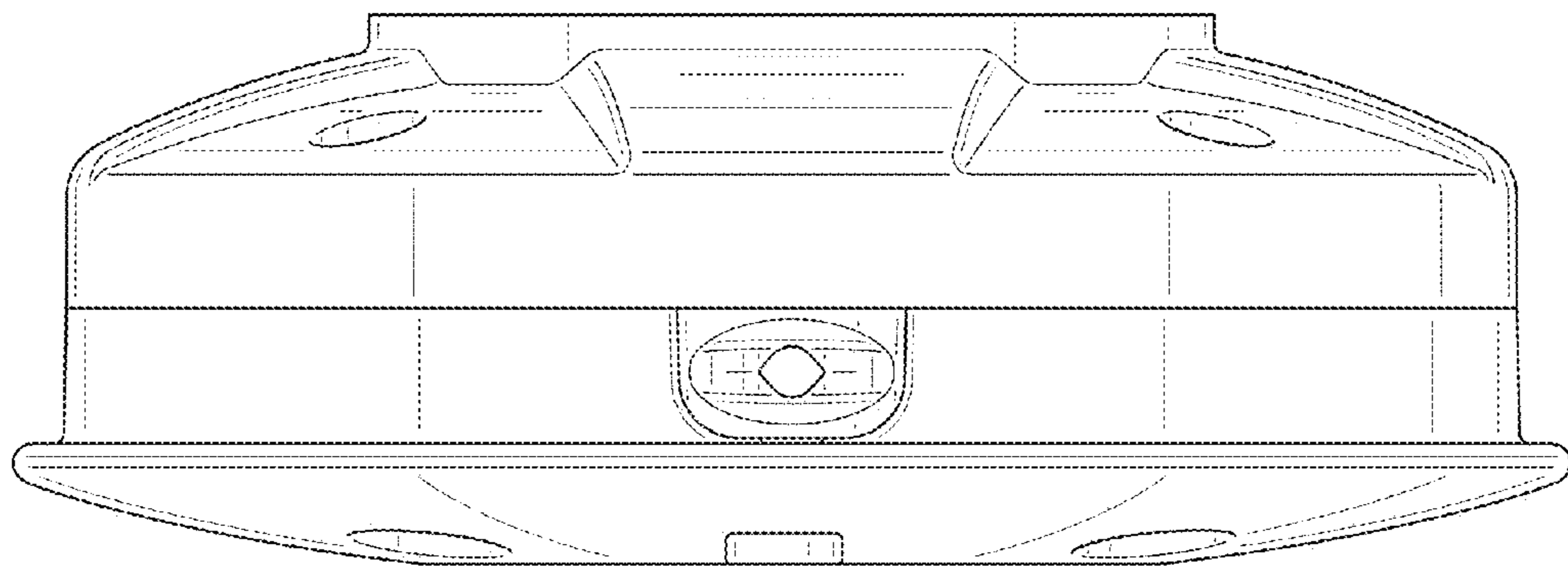


FIG. 4

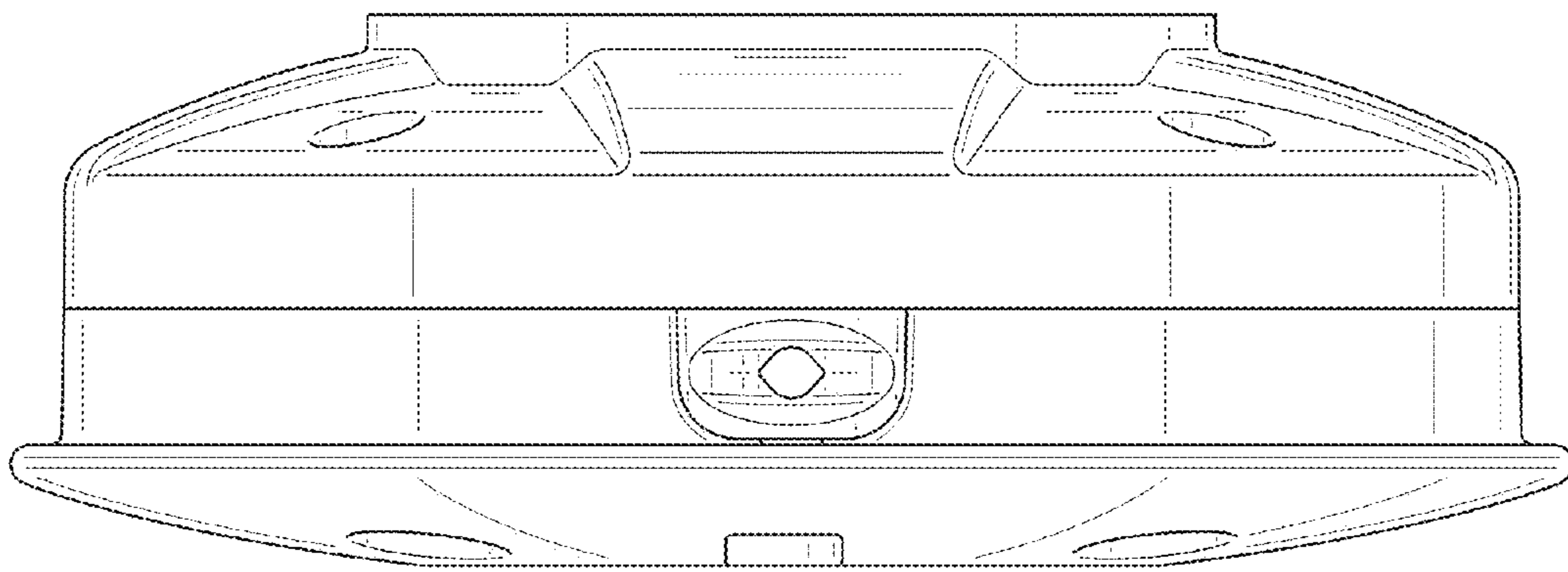


FIG. 5

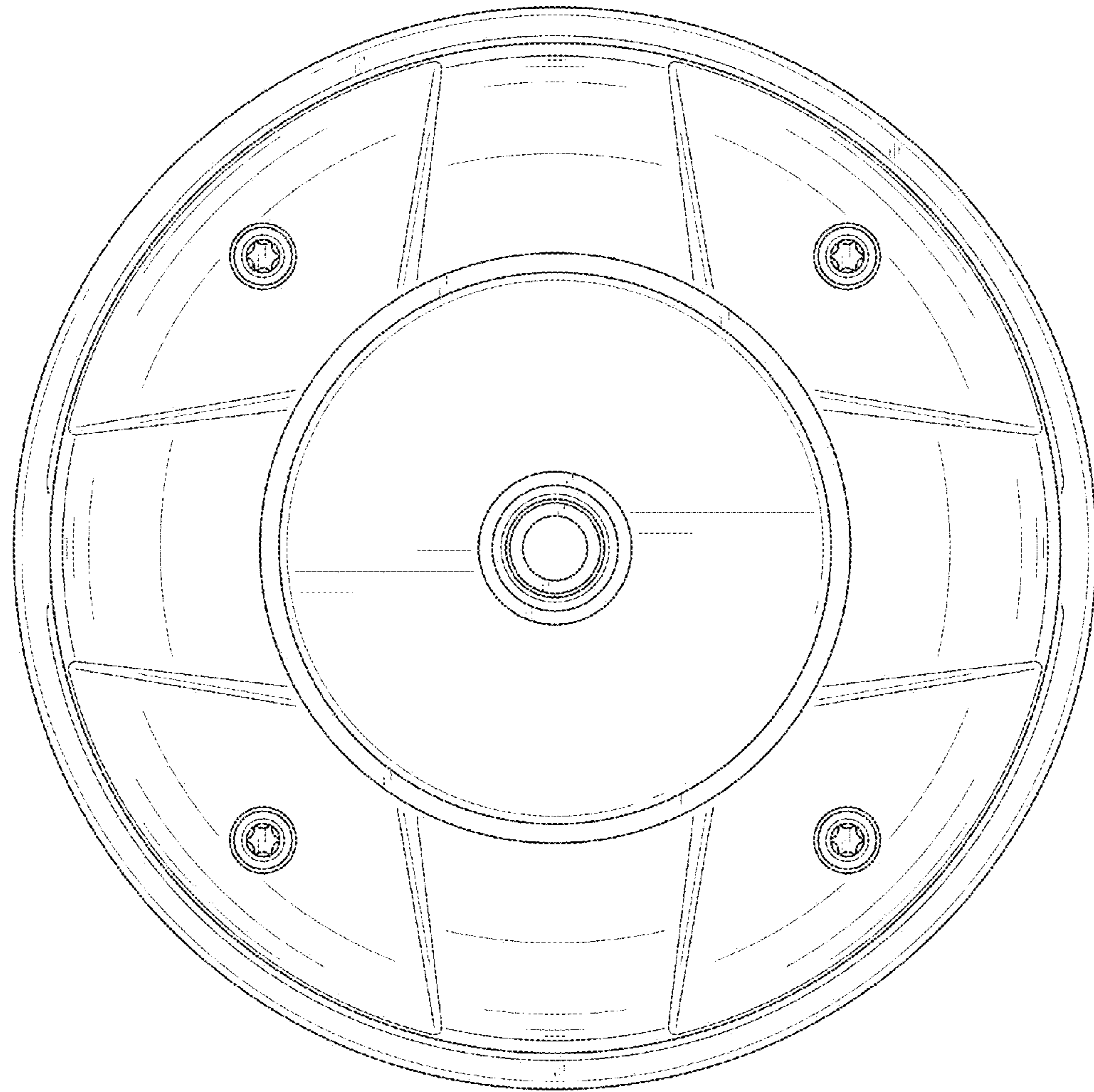


FIG. 6

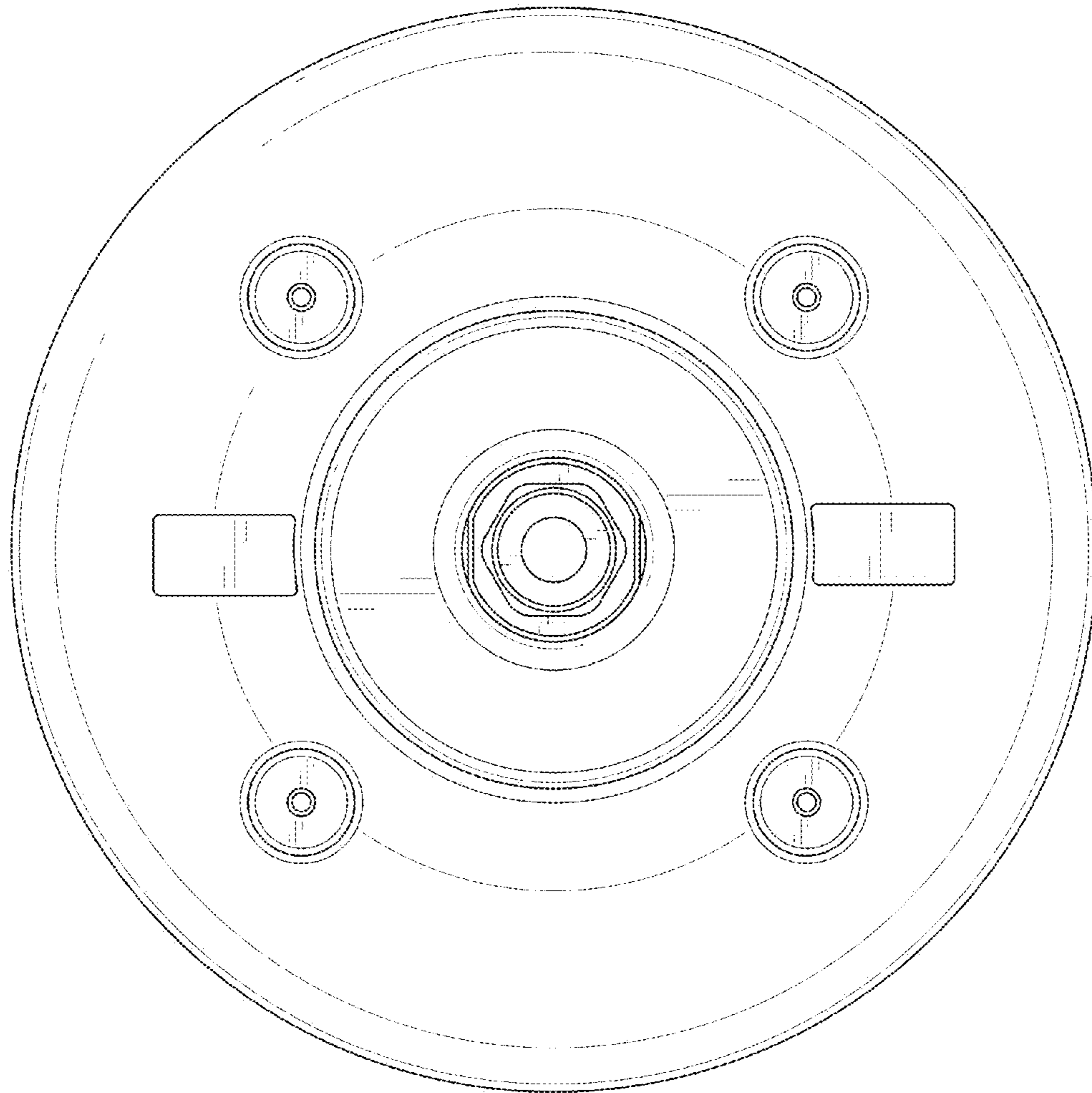


FIG. 7