



US00D727115S

(12) **United States Design Patent**  
**Goodman et al.**

(10) **Patent No.:** **US D727,115 S**  
(45) **Date of Patent:** **\*\* Apr. 21, 2015**

- (54) **MUG HOLDER**
- (71) Applicant: **Spectrum Diversified Designs, Inc.**,  
Streetsboro, OH (US)
- (72) Inventors: **Sheldon H. Goodman**, Solon, OH (US);  
**Phaysouk Xayoiphonh**, Akron, OH  
(US)
- (73) Assignee: **Spectrum Diversified Designs, Inc.**,  
Streetsboro, OH (US)
- (\*\*) Term: **14 Years**
- (21) Appl. No.: **29/482,472**
- (22) Filed: **Feb. 19, 2014**

**Related U.S. Application Data**

- (63) Continuation-in-part of application No. 29/444,502,  
filed on Jan. 31, 2013, now abandoned.
- (51) **LOC (10) Cl.** ..... **07-06**
- (52) **U.S. Cl.**  
USPC ..... **D7/704**
- (58) **Field of Classification Search**  
USPC ..... D7/701-708, 600.1-600.4, 518-523;  
D6/681.3, 682.6; 211/13.1, 85.3, 123,  
211/74, 70.1, 71.01, 133.2, 181.1, 205  
See application file for complete search history.

(56) **References Cited**

**U.S. PATENT DOCUMENTS**

- D334,855 S \* 4/1993 Harrington et al. .... D6/458
- D385,758 S \* 11/1997 Hollinger ..... D7/704
- D393,783 S \* 4/1998 Goodman ..... D7/704
- D447,393 S \* 9/2001 Bodum ..... D7/707
- D474,635 S 5/2003 Ancona

- 6,568,546 B1 \* 5/2003 Huang ..... 211/205
- D526,863 S \* 8/2006 Goodman et al. .... D7/704
- D529,348 S \* 10/2006 Goodman et al. .... D7/704
- D628,865 S \* 12/2010 Guindi ..... D7/704
- D652,697 S \* 1/2012 Guindi ..... D7/704
- D660,629 S 5/2012 Goodman et al.
- D667,663 S 9/2012 Goodman et al.

**OTHER PUBLICATIONS**

Figures from Design U.S. Appl. No. 29/444,502, filed Jan. 31, 2013.

\* cited by examiner

*Primary Examiner* — Terry Wallace

(74) *Attorney, Agent, or Firm* — Renner, Otto, Boisselle &  
Sklar, LLP

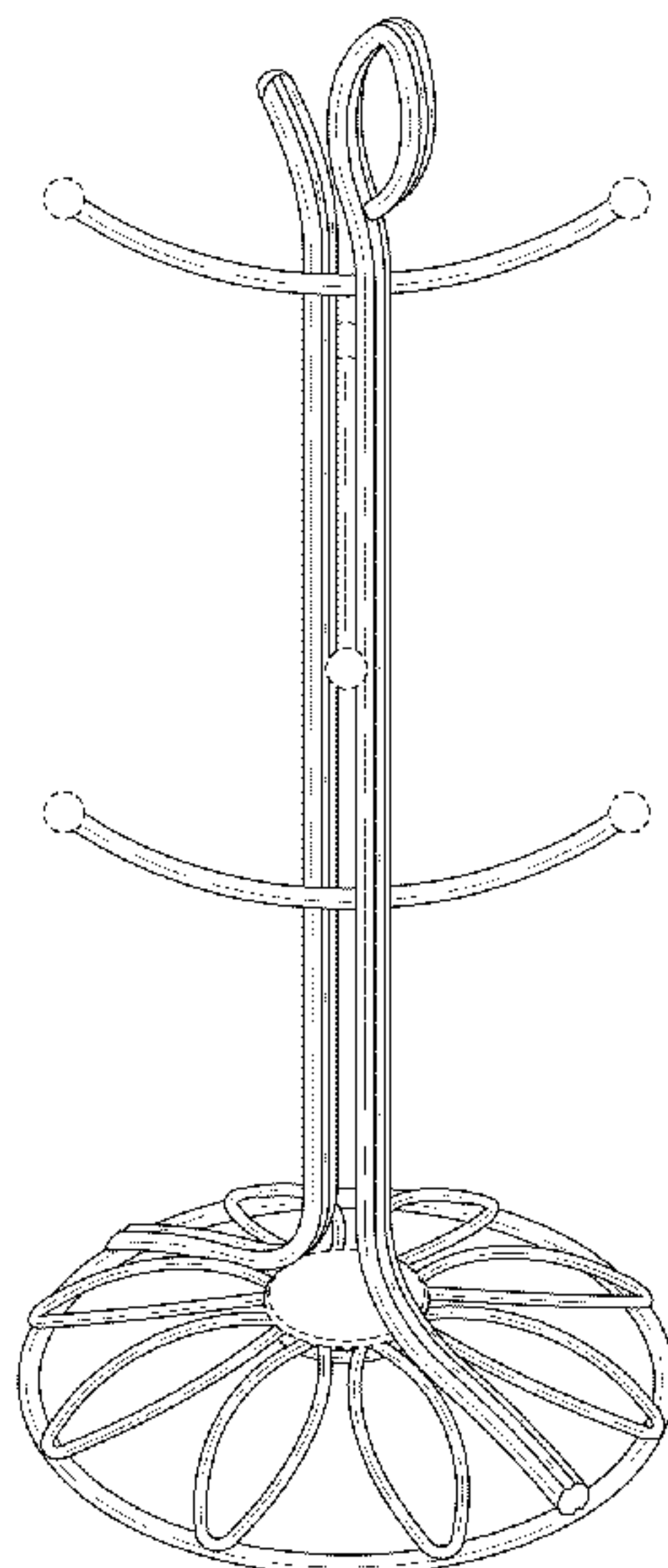
(57) **CLAIM**

The ornamental design for a mug holder, as shown and described.

**DESCRIPTION**

FIG. 1 is a perspective view of a first embodiment of a mug holder showing our new design.  
 FIG. 2 is a front view thereof.  
 FIG. 3 is a rear view thereof.  
 FIG. 4 is a left side view thereof.  
 FIG. 5 is a right side view thereof.  
 FIG. 6 is a top view thereof.  
 FIG. 7 is a bottom view thereof; and,  
 FIG. 8 is a perspective view of a second embodiment of the mug holder, which is the same as the first embodiment except for the shape of the wire.  
 The broken lines shown herein are for illustrative purposes only and form no part of the claimed design.

**1 Claim, 4 Drawing Sheets**



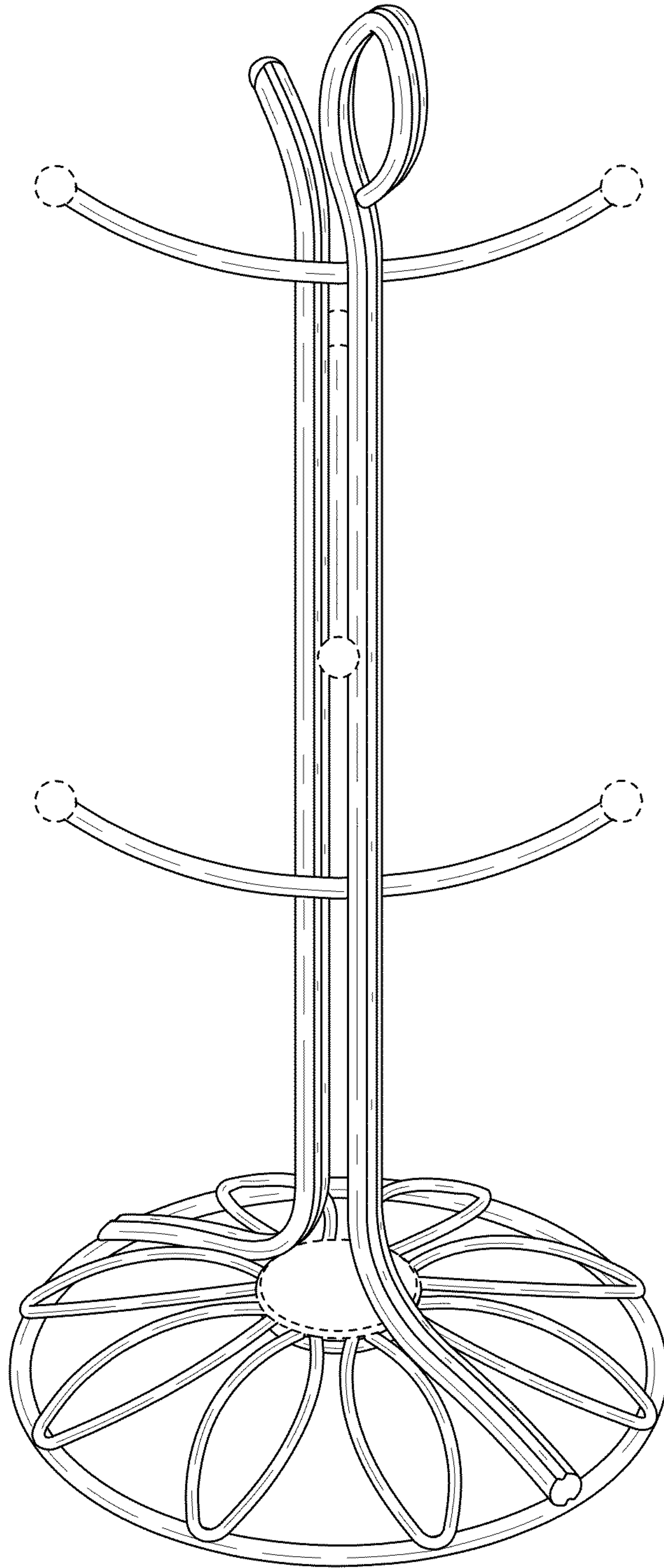


FIG. 1

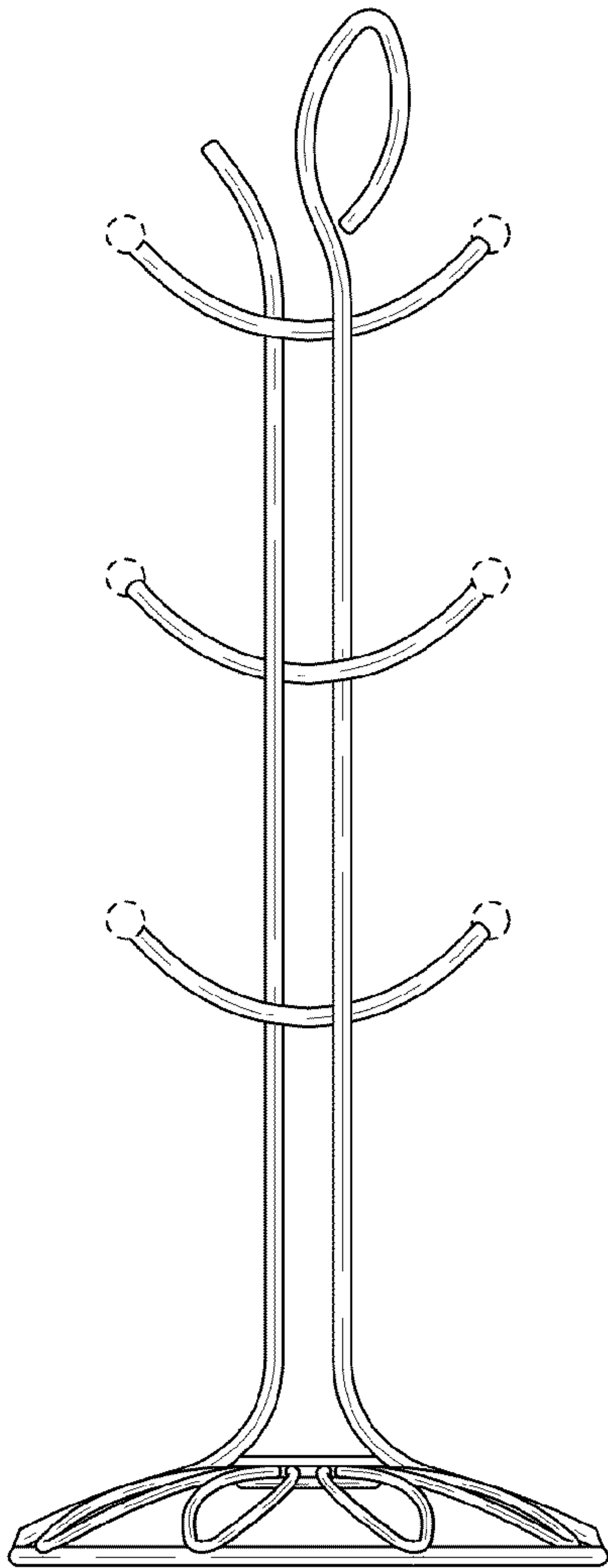


FIG. 2

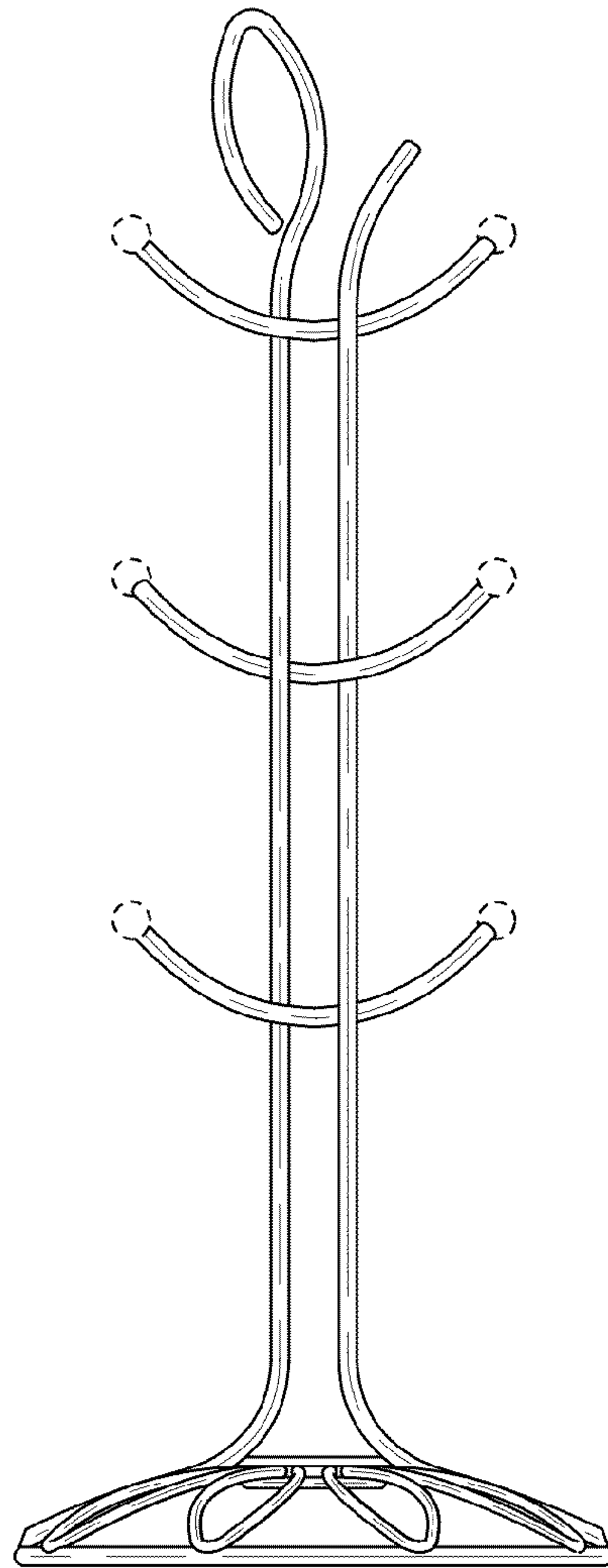


FIG. 3

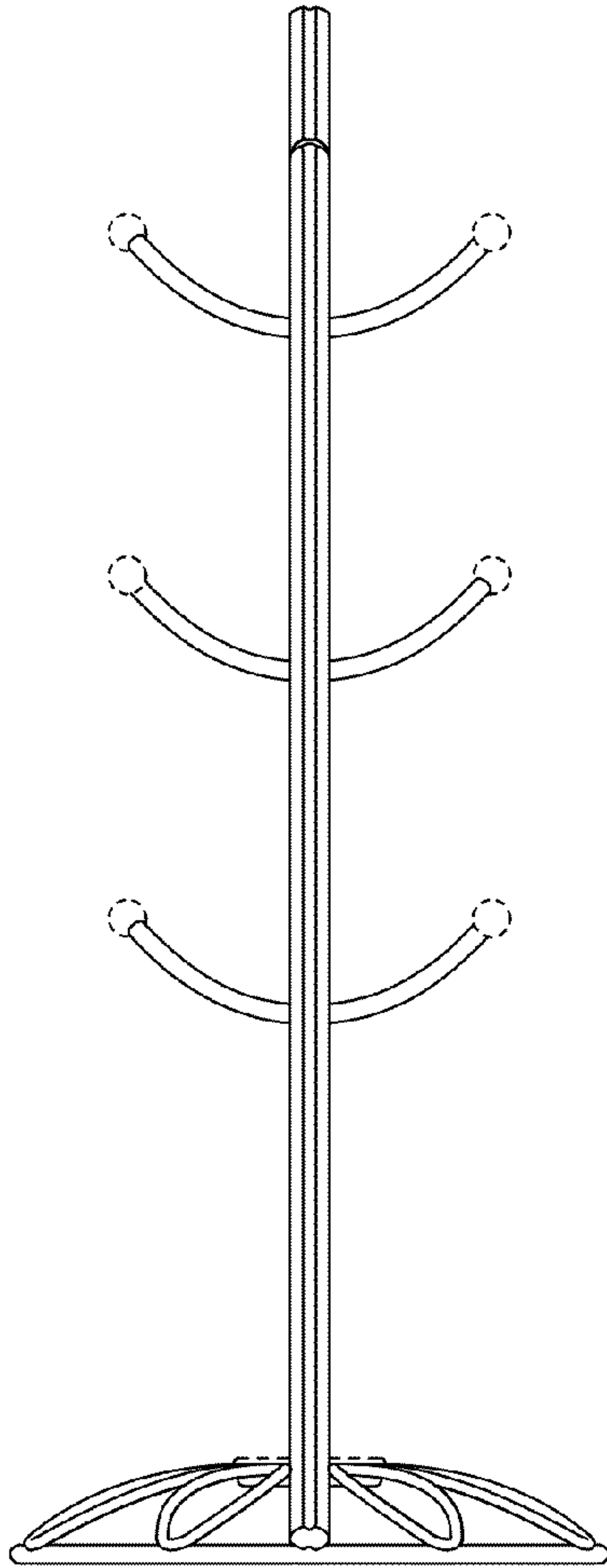


FIG. 4

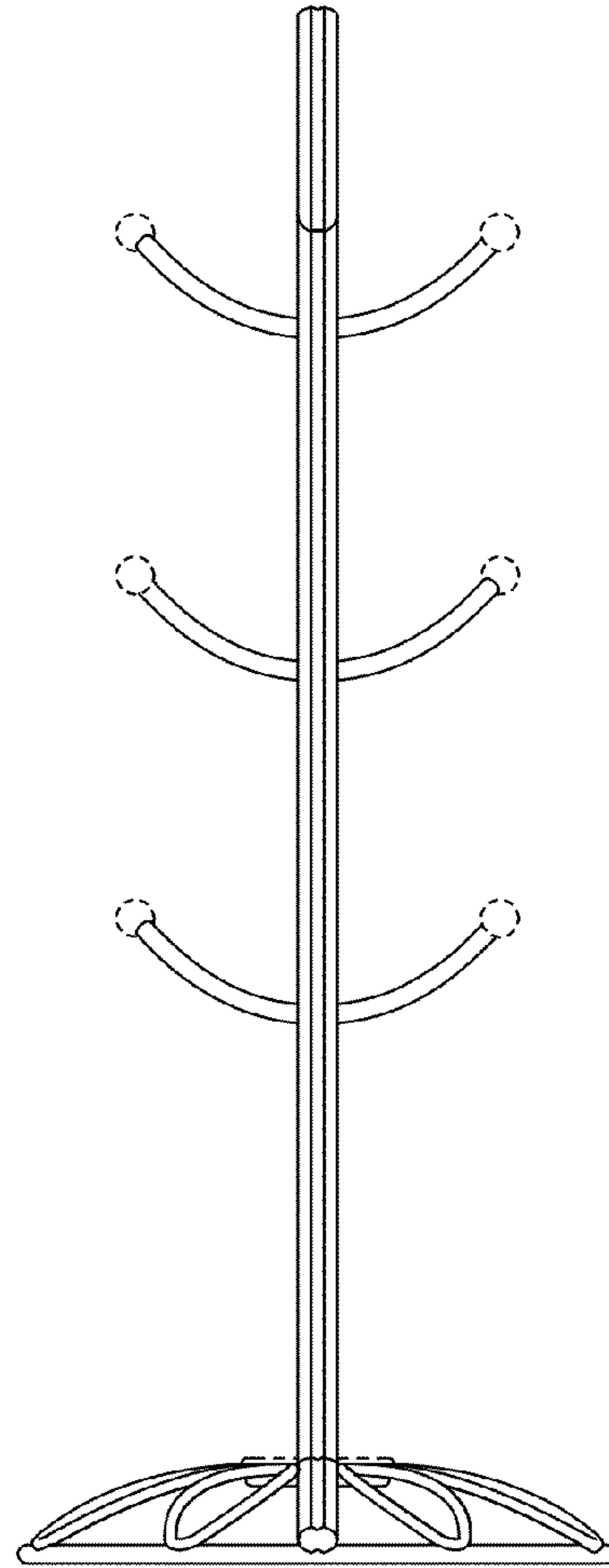


FIG. 5

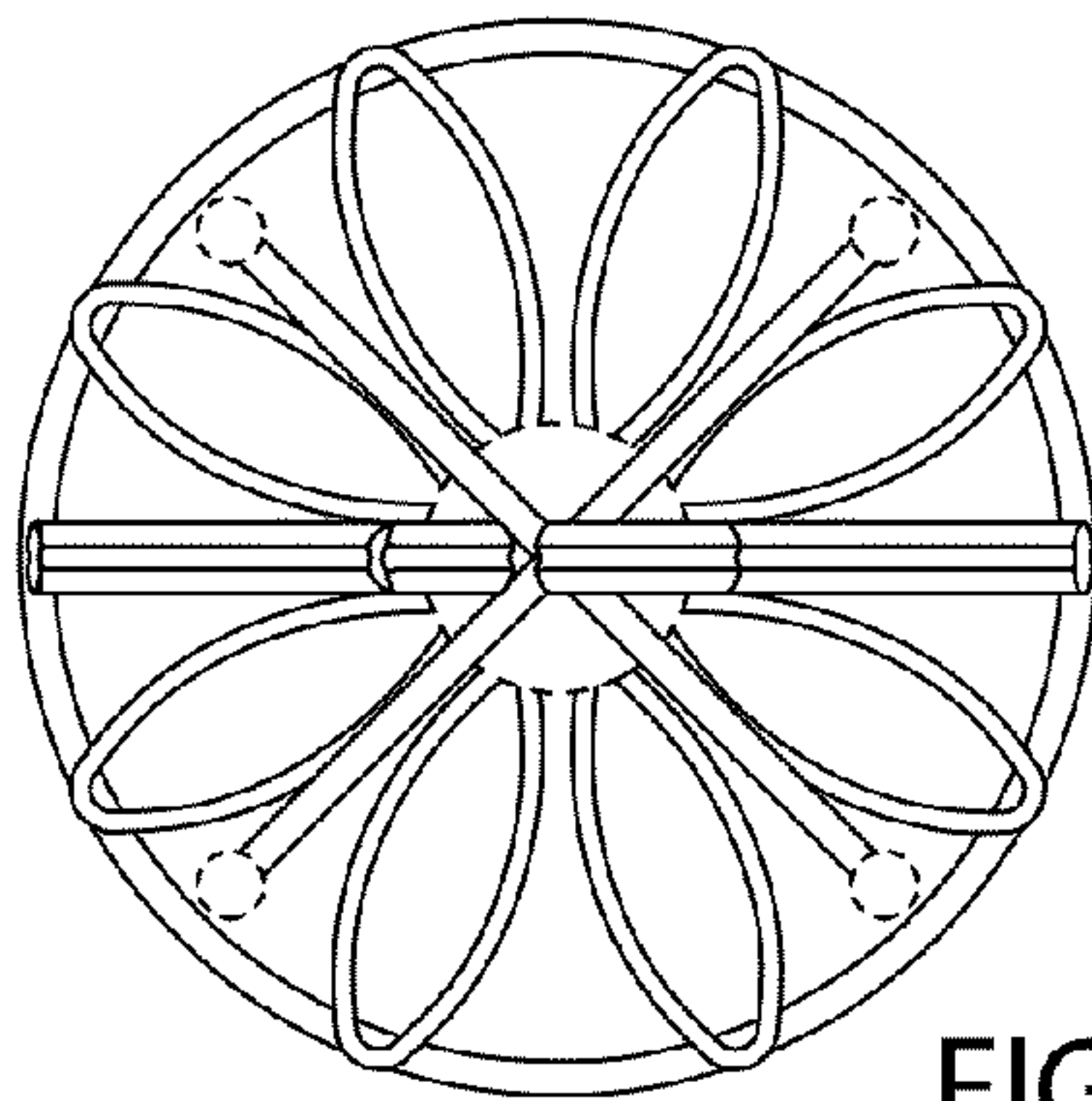


FIG. 6

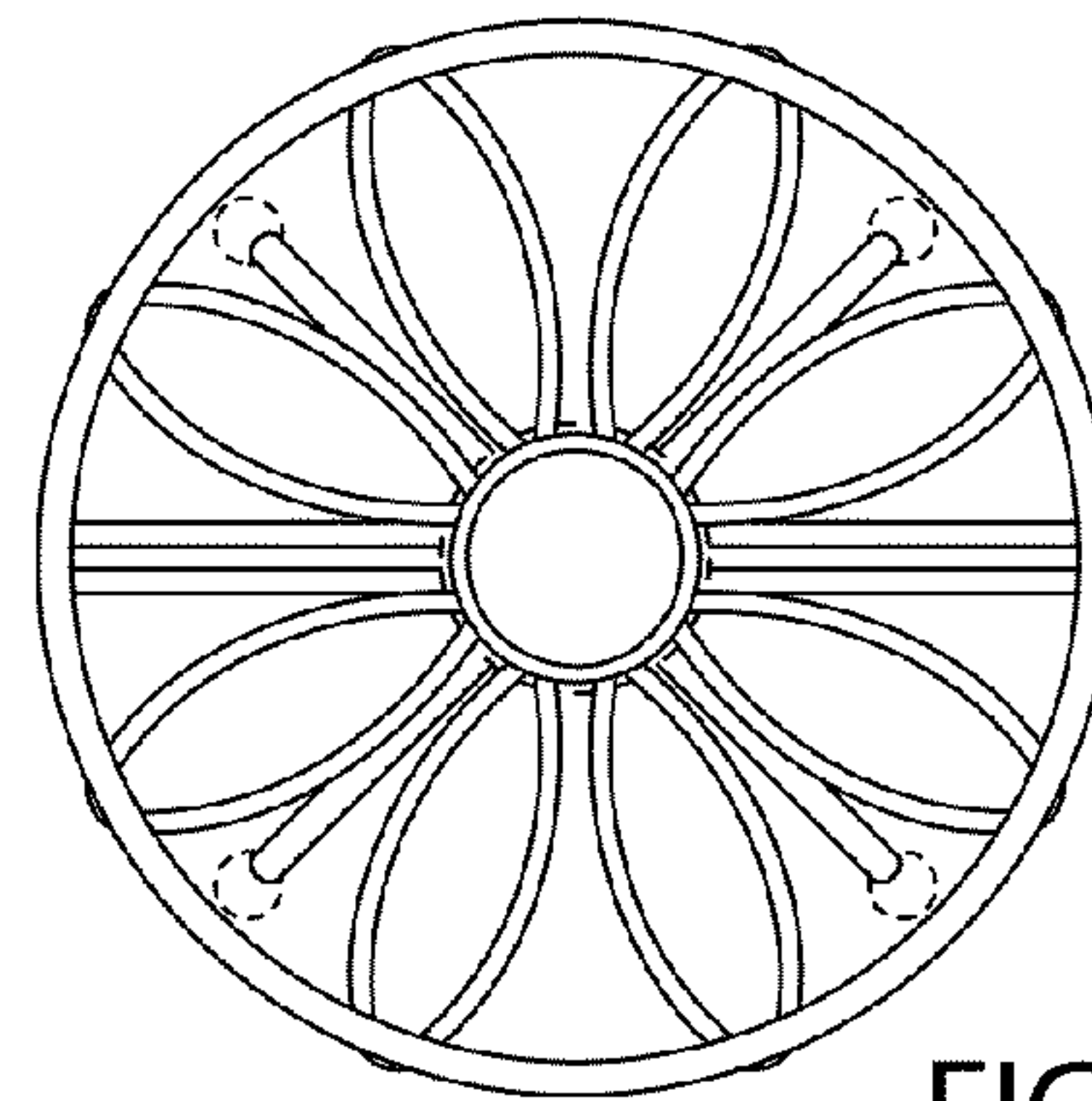


FIG. 7



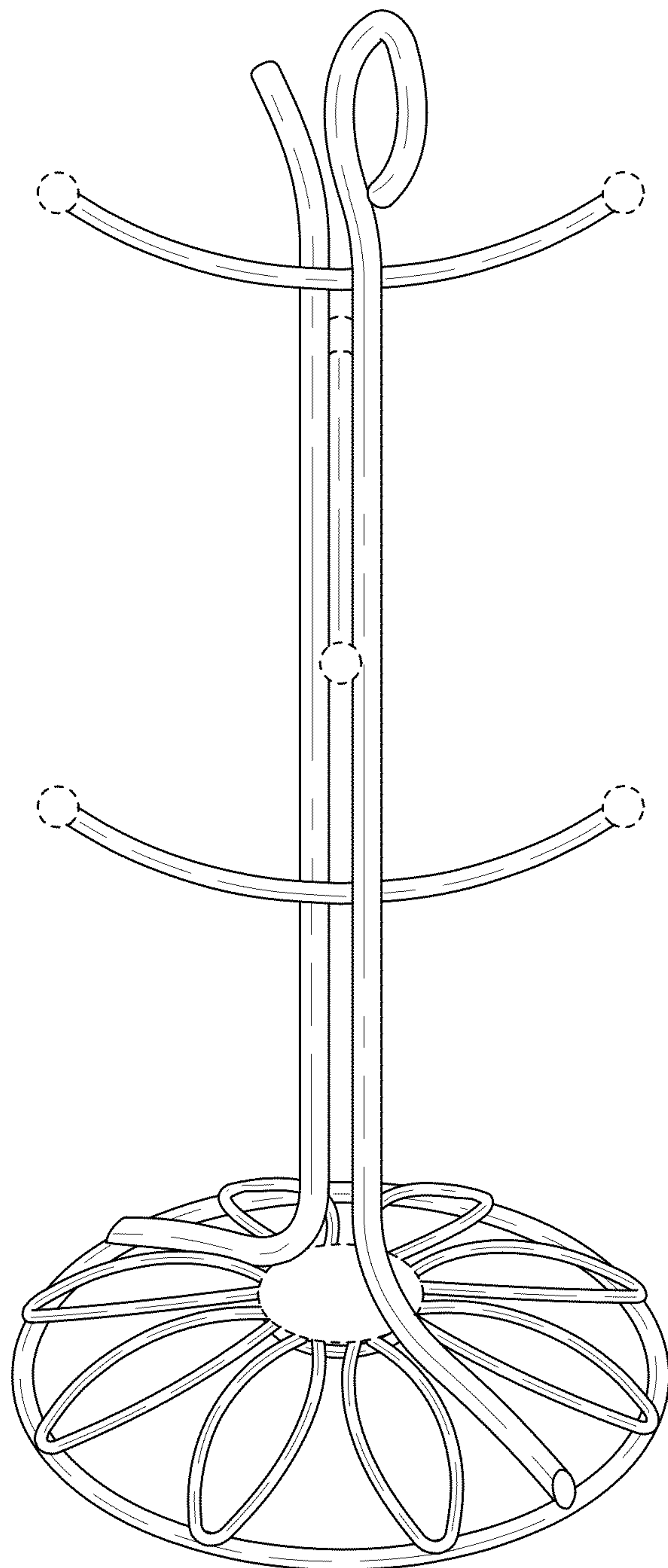


FIG. 8