



US00D727112S

(12) **United States Design Patent**
Henry et al.

(10) **Patent No.:** **US D727,112 S**
(45) **Date of Patent:** **** Apr. 21, 2015**

- (54) **CLIPPED CONTAINER**
- (71) Applicant: **Robinson Home Products Inc.**,
Williamsville, NY (US)
- (72) Inventors: **Lou Henry**, Scarsdale, NY (US); **John Healy**, Brooklyn, NY (US)
- (73) Assignee: **Robinson Home Products Inc.**,
Williamsville, NY (US)
- (**) Term: **14 Years**
- (21) Appl. No.: **29/482,872**
- (22) Filed: **Feb. 22, 2014**
- (51) **LOC (10) Cl.** **07-06**
- (52) **U.S. Cl.**
USPC **D7/620**
- (58) **Field of Classification Search**
CPC A61J 9/06; A61J 2009/0638; A47G
23/0225; A47G 23/0241; A47G 19/04;
B63B 29/12; B65D 67/02; B65D 25/22
USPC D7/619.1-625, 701-708; 211/71.01,
211/74; 248/311.3, 311.2, 126, 309.1, 558,
248/313, 314, 316.1, 226.11, 231.71,
248/223.41, 220.21, 213.12, 316.7;
220/756, 710, 0.699, 694, 23.4, 23.86,
220/751, 23.83; D8/385
See application file for complete search history.

D423,884	S	*	5/2000	Greenwood	D7/620
6,076,700	A		6/2000	Manges		
D600,077	S	*	9/2009	Barnes, Jr.	D7/620
D679,146	S	*	4/2013	Rincon	D7/620
D713,207	S		9/2014	Hickox		
8,827,104	B2		9/2014	Hickox		
2003/0019871	A1		1/2003	Nance		
2006/0086756	A1		4/2006	Roth et al.		
2007/0095843	A1		5/2007	Wu		
2009/0090710	A1		4/2009	Nielsen		
2011/0084087	A1		4/2011	Scribner et al.		
2011/0272546	A1		11/2011	Nielsen		

* cited by examiner

Primary Examiner — Terry Wallace

(74) *Attorney, Agent, or Firm* — Florek & Endres PLLC

(57) **CLAIM**

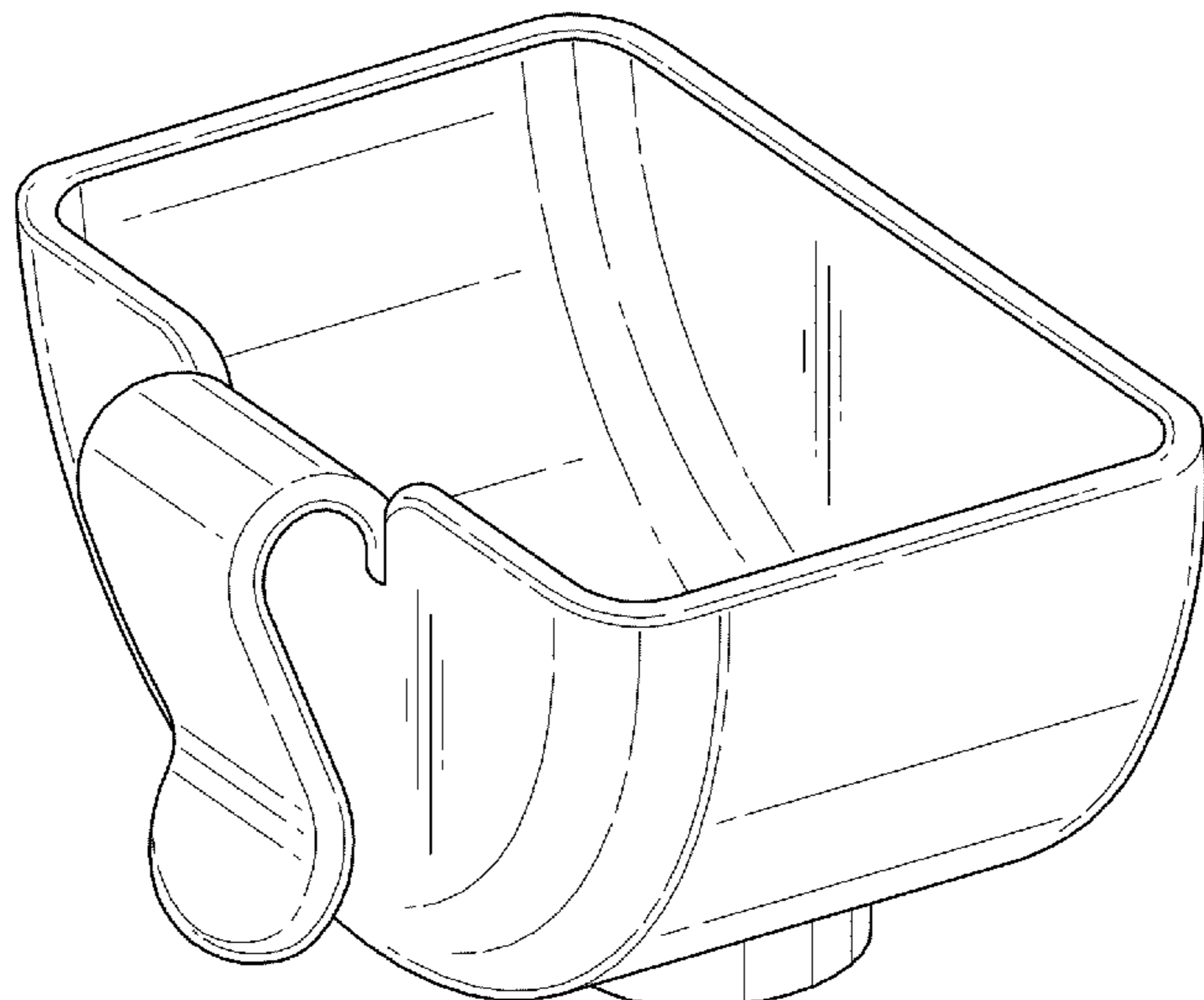
We claim the ornamental design for a clipped container, as shown and described.

DESCRIPTION

FIG. 1 is a perspective view of the clipped container of the invention.
 FIG. 2 is a front elevation view of the clipped container of the invention.
 FIG. 3 is a rear elevation view of the clipped container of the invention.
 FIG. 4 is a left side elevation view of the clipped container of the invention.
 FIG. 5 is a right side elevation view of the clipped container of the invention.
 FIG. 6 is a top plan view of the clipped container of the invention; and,
 FIG. 7 is a bottom plan view of the clipped container of the invention.

1 Claim, 6 Drawing Sheets

- (56) **References Cited**
U.S. PATENT DOCUMENTS
1,948,932 A * 2/1934 McMickle 220/23.83
5,429,262 A 7/1995 Sharkey
5,857,601 A * 1/1999 Greenwood 224/409



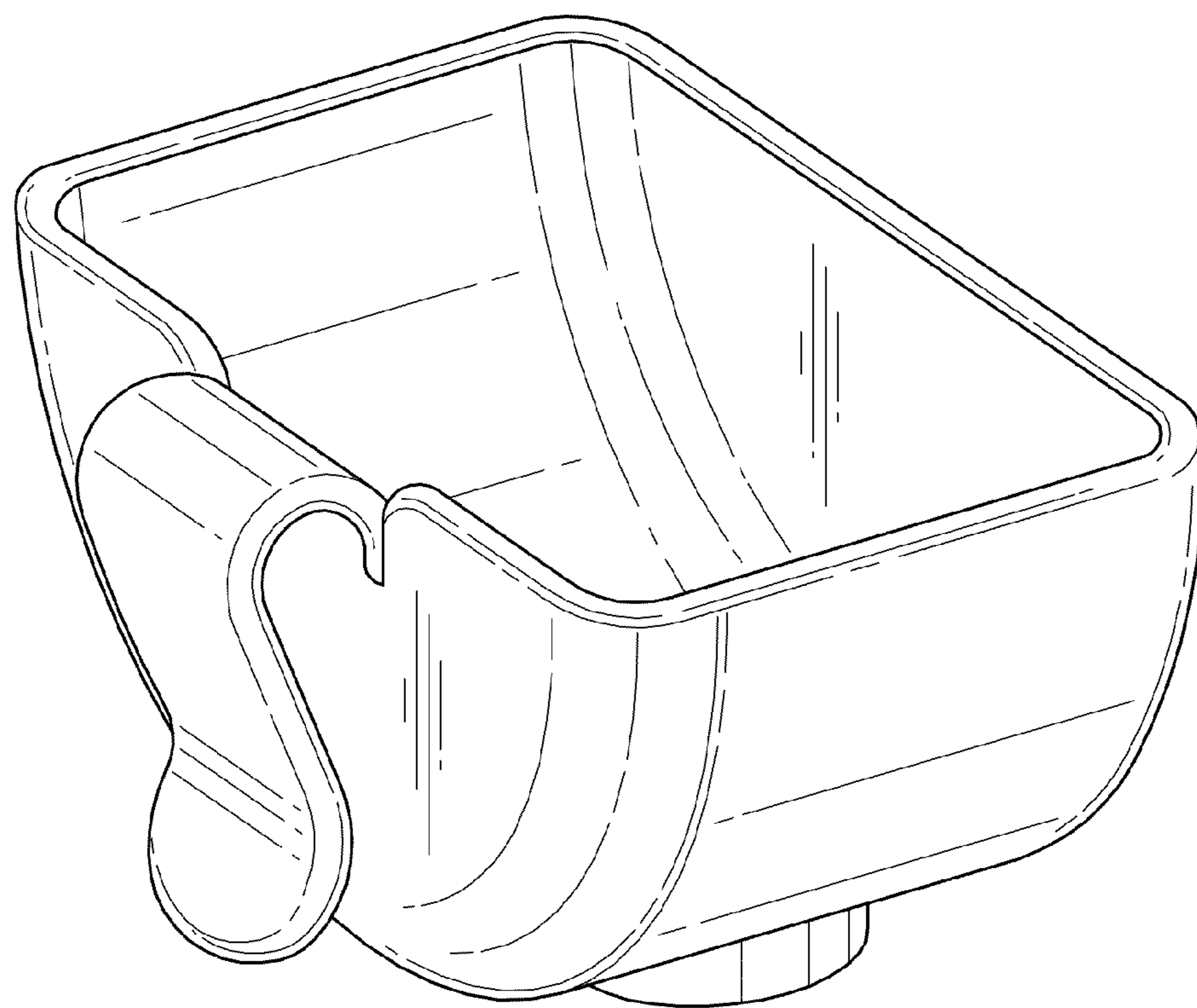


FIG. 1

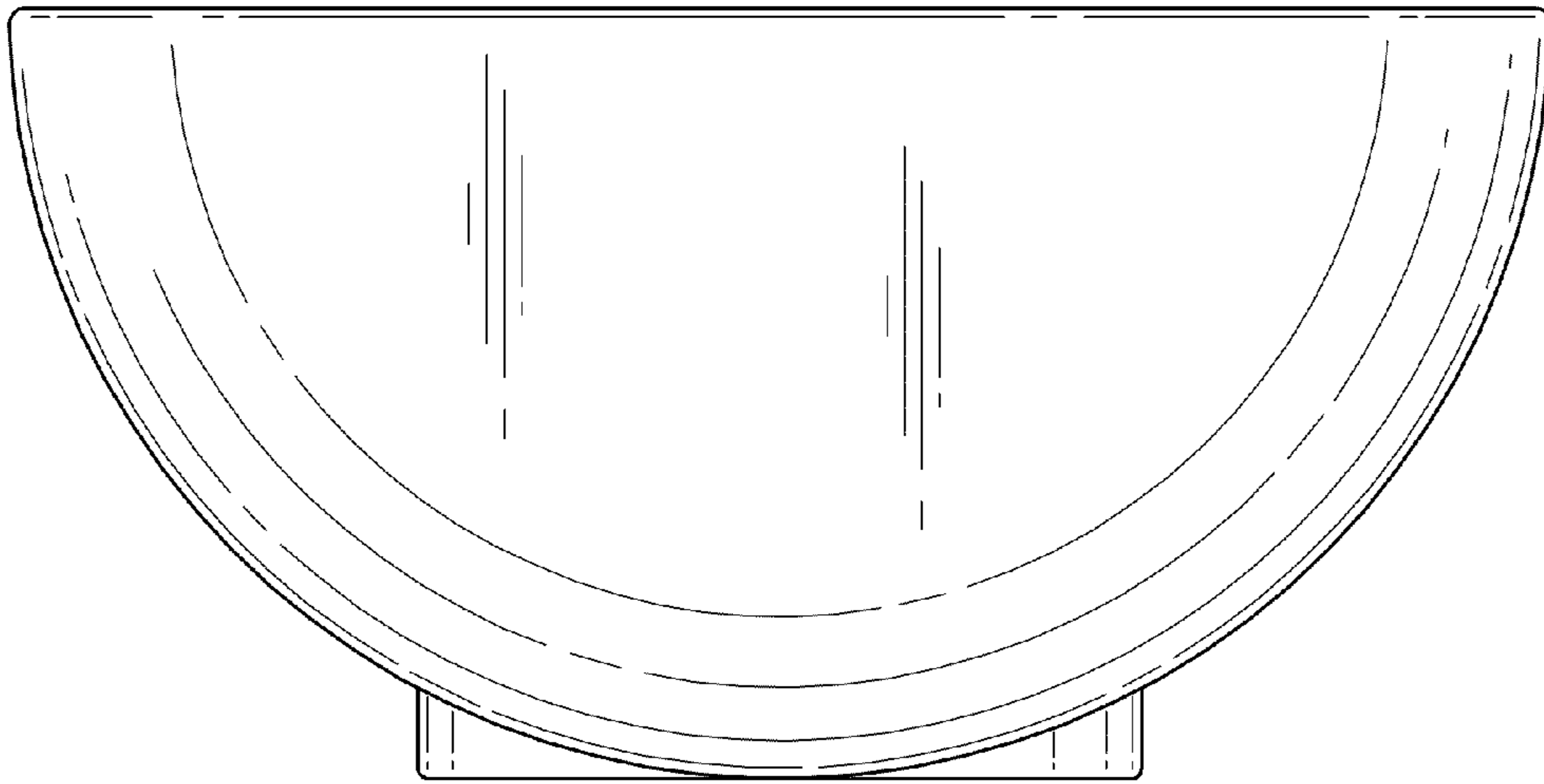


FIG. 2

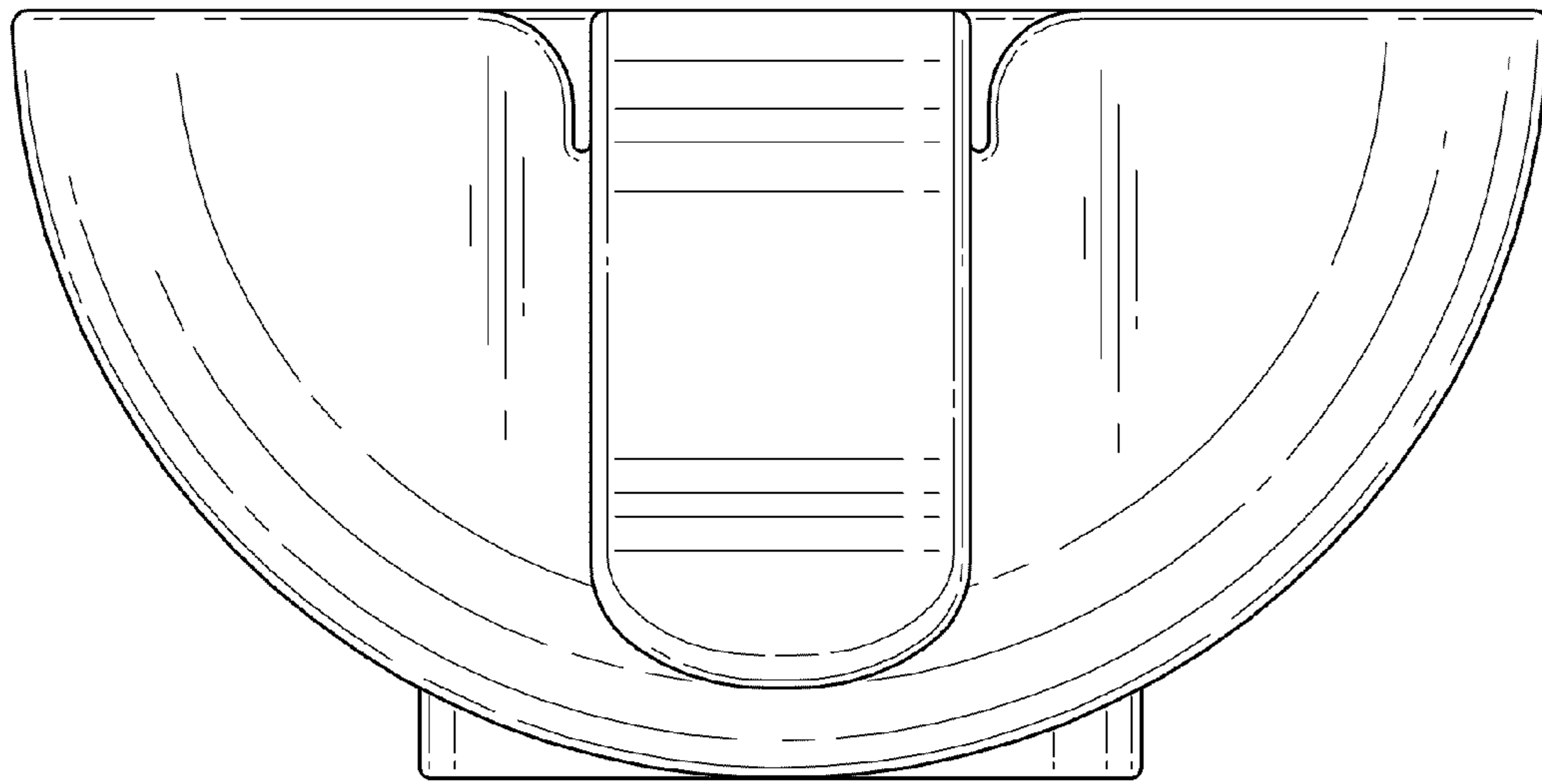


FIG. 3

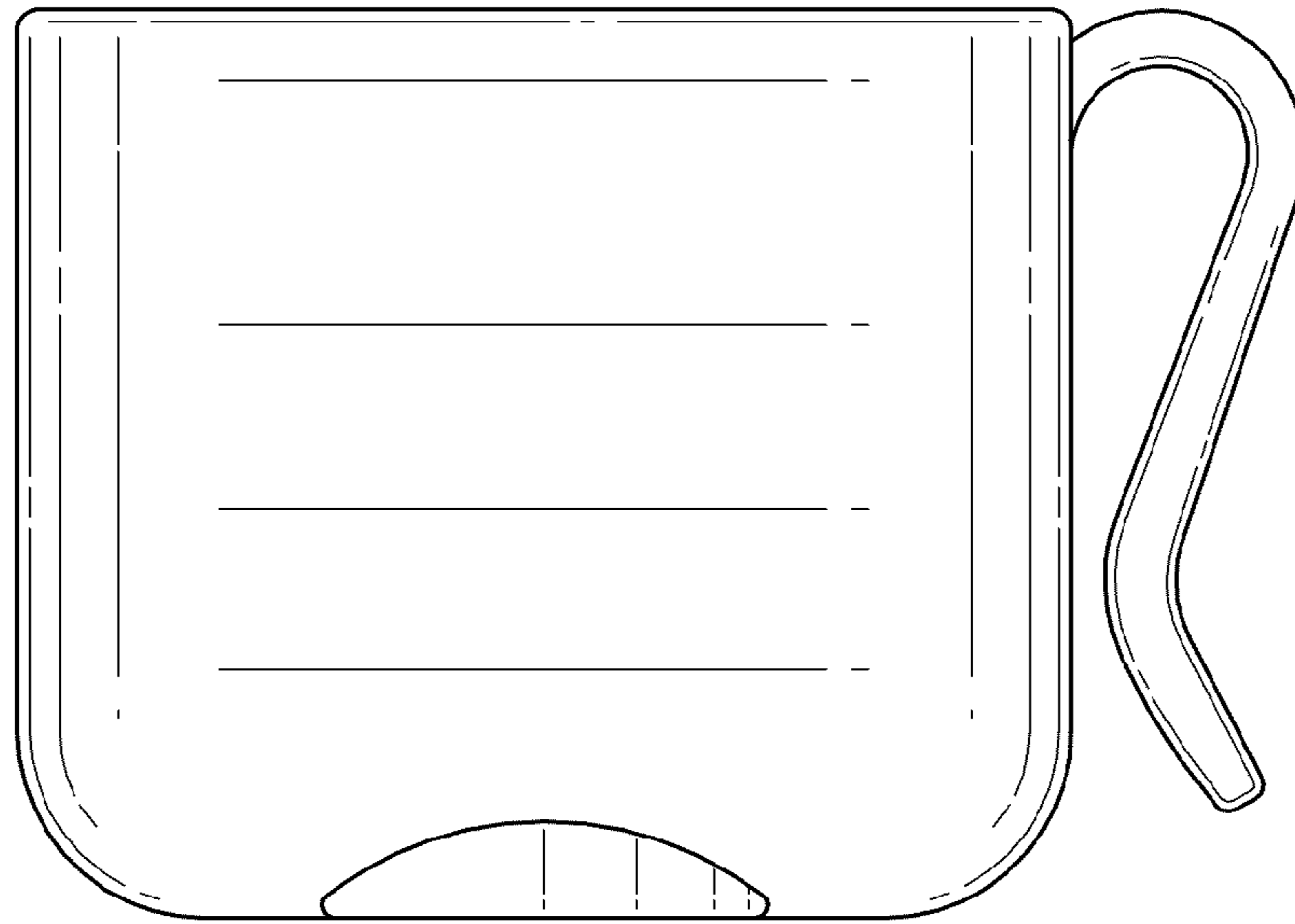


FIG. 4

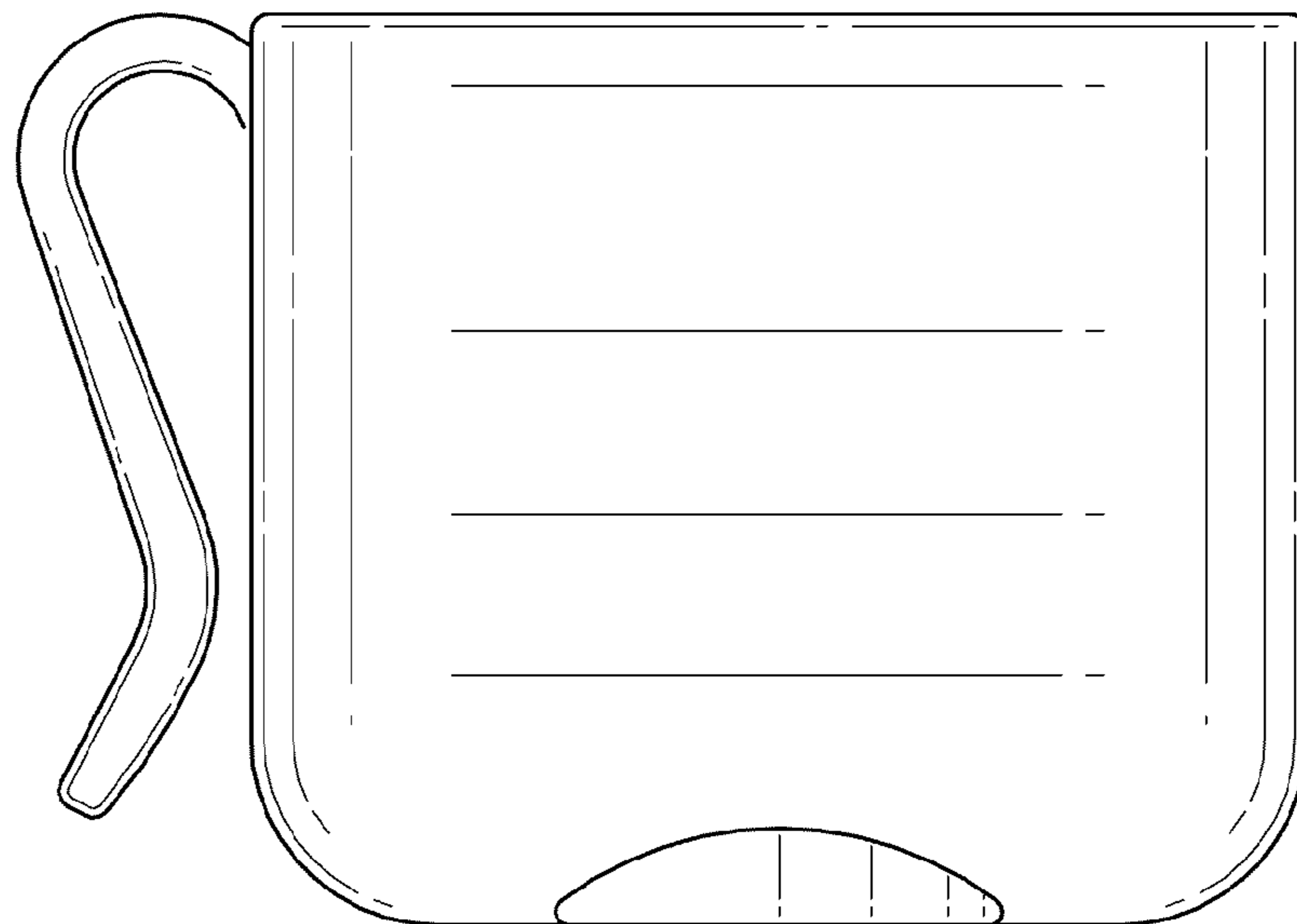


FIG. 5

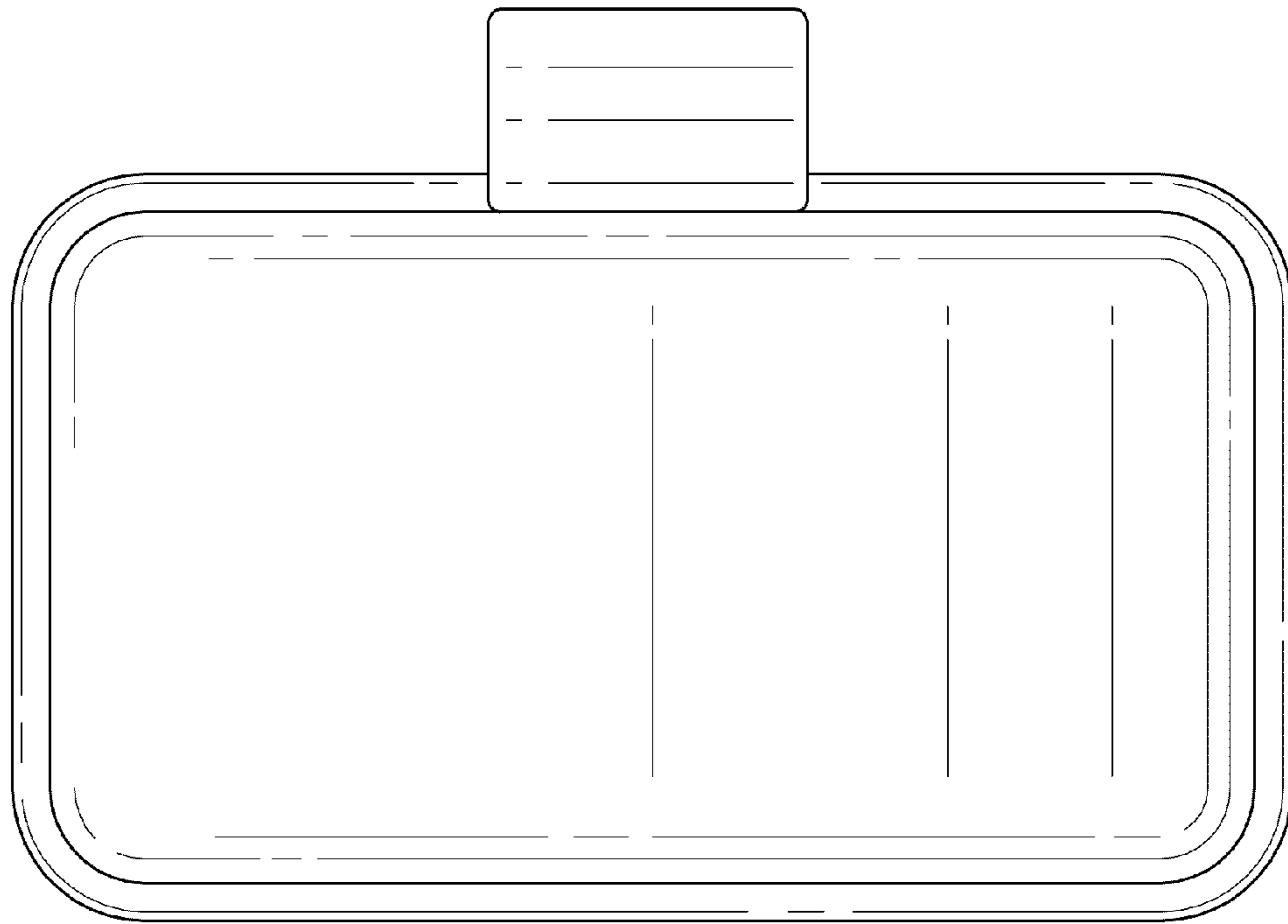


FIG. 6

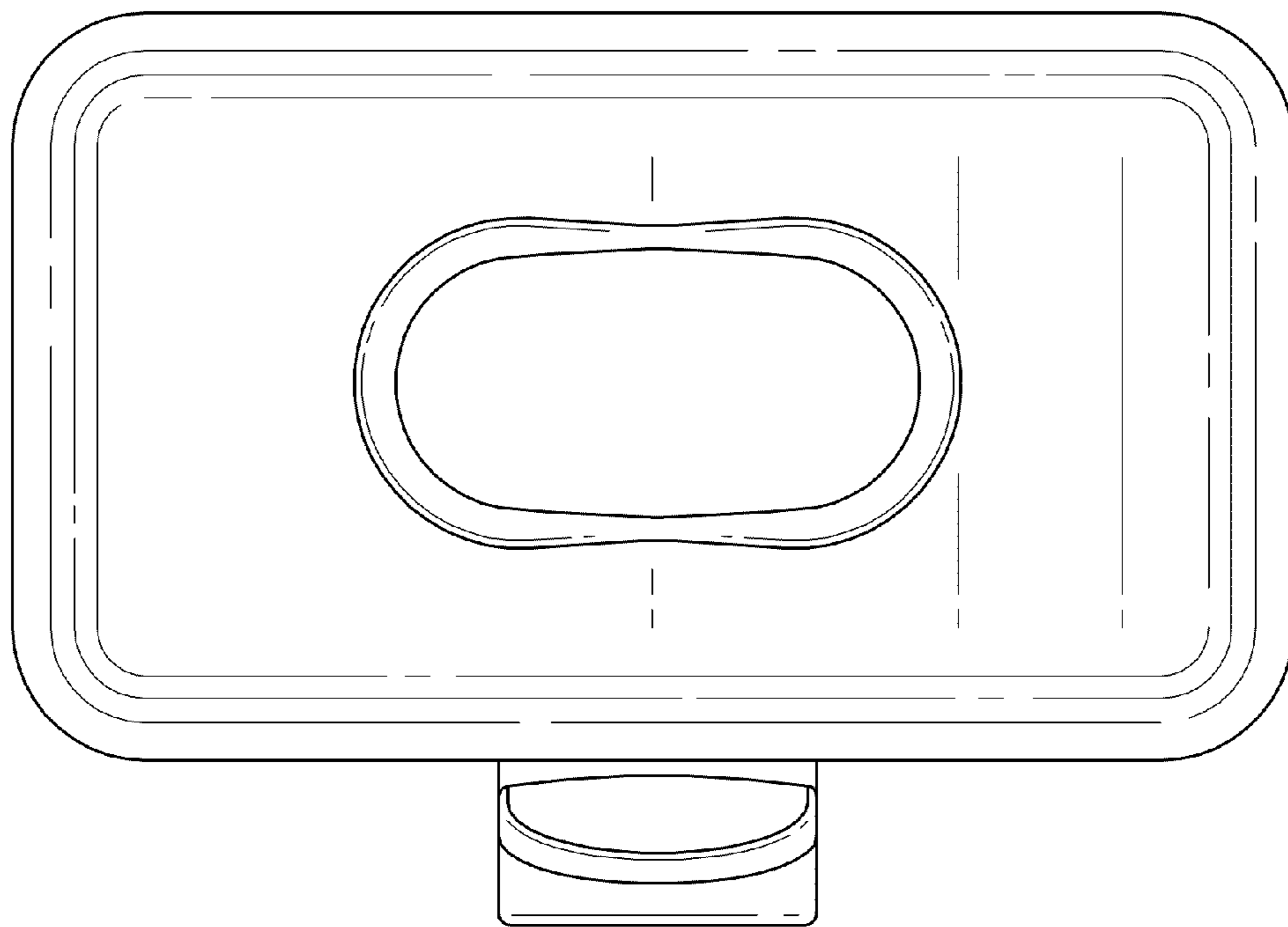


FIG. 7