



US00D727111S

(12) **United States Design Patent**  
**Henry et al.**

(10) **Patent No.:** **US D727,111 S**  
(45) **Date of Patent:** **\*\* Apr. 21, 2015**

(54) **CLIPPED CONDIMENT CONTAINER**

(71) Applicant: **Robinson Home Products Inc.,**  
Williamsville, NY (US)

(72) Inventors: **Lou Henry, Scarsdale, NY (US); John Healy, Brooklyn, NY (US)**

(73) Assignee: **Robinson Home Products Inc.,**  
Williamsville, NY (US)

(\*\*) Term: **14 Years**

(21) Appl. No.: **29/482,871**

(22) Filed: **Feb. 22, 2014**

(51) **LOC (10) Cl.** ..... **07-06**

(52) **U.S. Cl.**  
USPC ..... **D7/620**

(58) **Field of Classification Search**  
CPC ..... A61J 9/06; A61J 2009/0638; A47G 23/0225; A47G 23/0241; A47G 19/04; B63B 29/12; B65D 67/02; B65D 25/22  
USPC ..... D7/619.1-625, 701-708; 211/71.01, 211/74; 248/311.3, 311.2, 126, 309.1, 558, 248/313, 314, 316.1, 226.11, 231.71, 248/223.41, 220.21, 213.12; 220/756, 710, 220/699, 694, 23.4, 23.86, 751, 23.83; D8/385

See application file for complete search history.

(56) **References Cited**

**U.S. PATENT DOCUMENTS**

1,948,932 A \* 2/1934 McMickle ..... 220/23.83  
5,429,262 A 7/1995 Sharkey  
6,076,700 A 6/2000 Manges  
D600,077 S \* 9/2009 Barnes, Jr. .... D7/620

8,020,825 B2 \* 9/2011 Dostaler et al. .... 248/316.7  
D679,146 S \* 4/2013 Rincon ..... D7/620  
D713,207 S 9/2014 Hickox  
8,827,104 B2 9/2014 Hickox  
2003/0019871 A1 1/2003 Nance  
2006/0086756 A1 4/2006 Roth et al.  
2007/0095843 A1 5/2007 Wu  
2009/0090710 A1 4/2009 Nielsen  
2009/0121107 A1 \* 5/2009 Lagobi ..... 248/311.2  
2011/0084087 A1 4/2011 Scribner et al.  
2011/0272546 A1 11/2011 Nielsen

\* cited by examiner

*Primary Examiner* — Terry Wallace

(74) *Attorney, Agent, or Firm* — Florek & Endres PLLC

(57) **CLAIM**

We claim the ornamental design for a clipped condiment container, as shown and described.

**DESCRIPTION**

FIG. 1 is a perspective view of the clipped condiment container of the invention.

FIG. 2 is a front elevation view of the clipped condiment container of the invention.

FIG. 3 is a rear elevation view of the clipped condiment container of the invention.

FIG. 4 is a right side elevation view of the clipped condiment container of the invention.

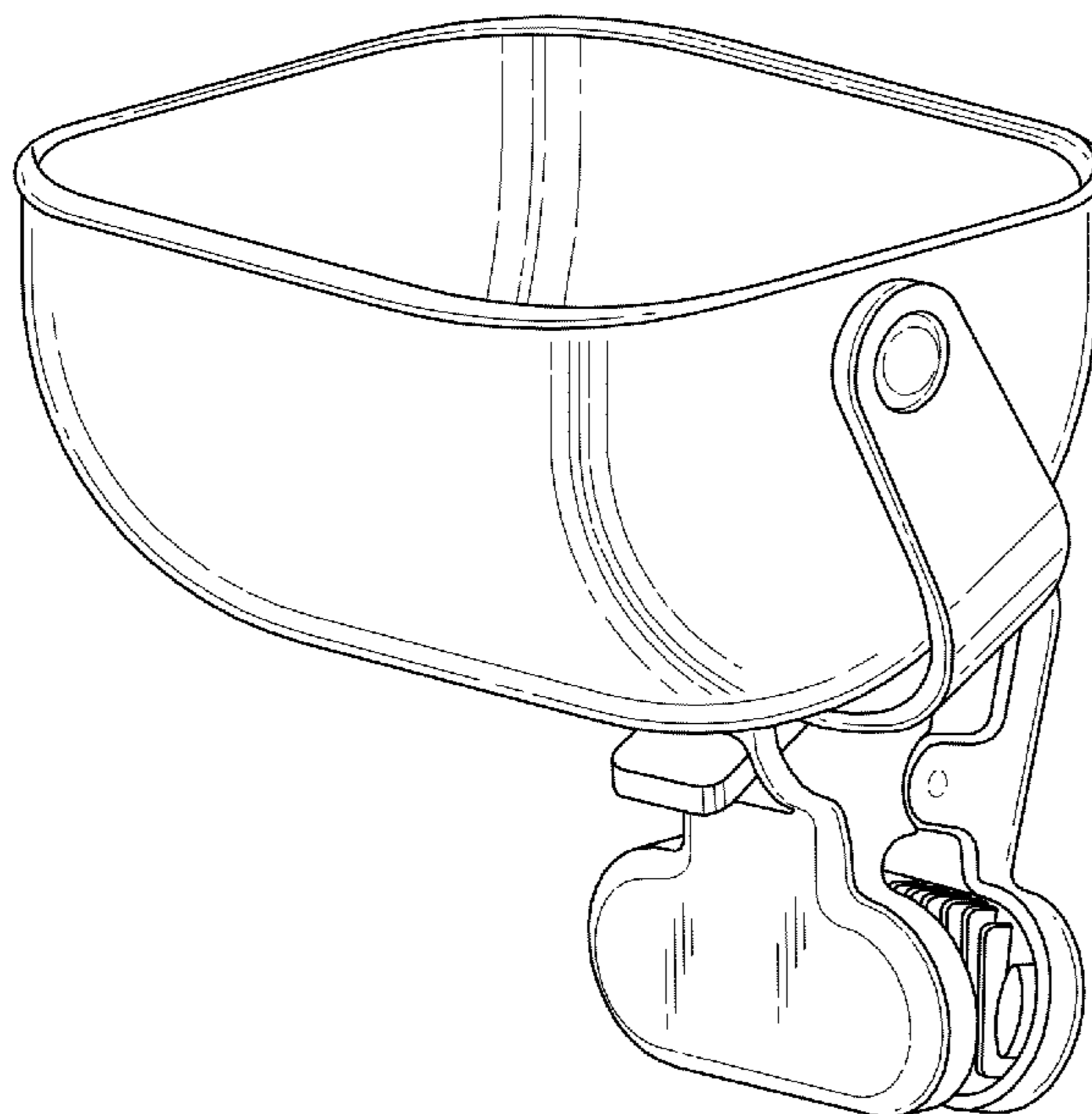
FIG. 5 is a left side elevation view of the clipped condiment container of the invention.

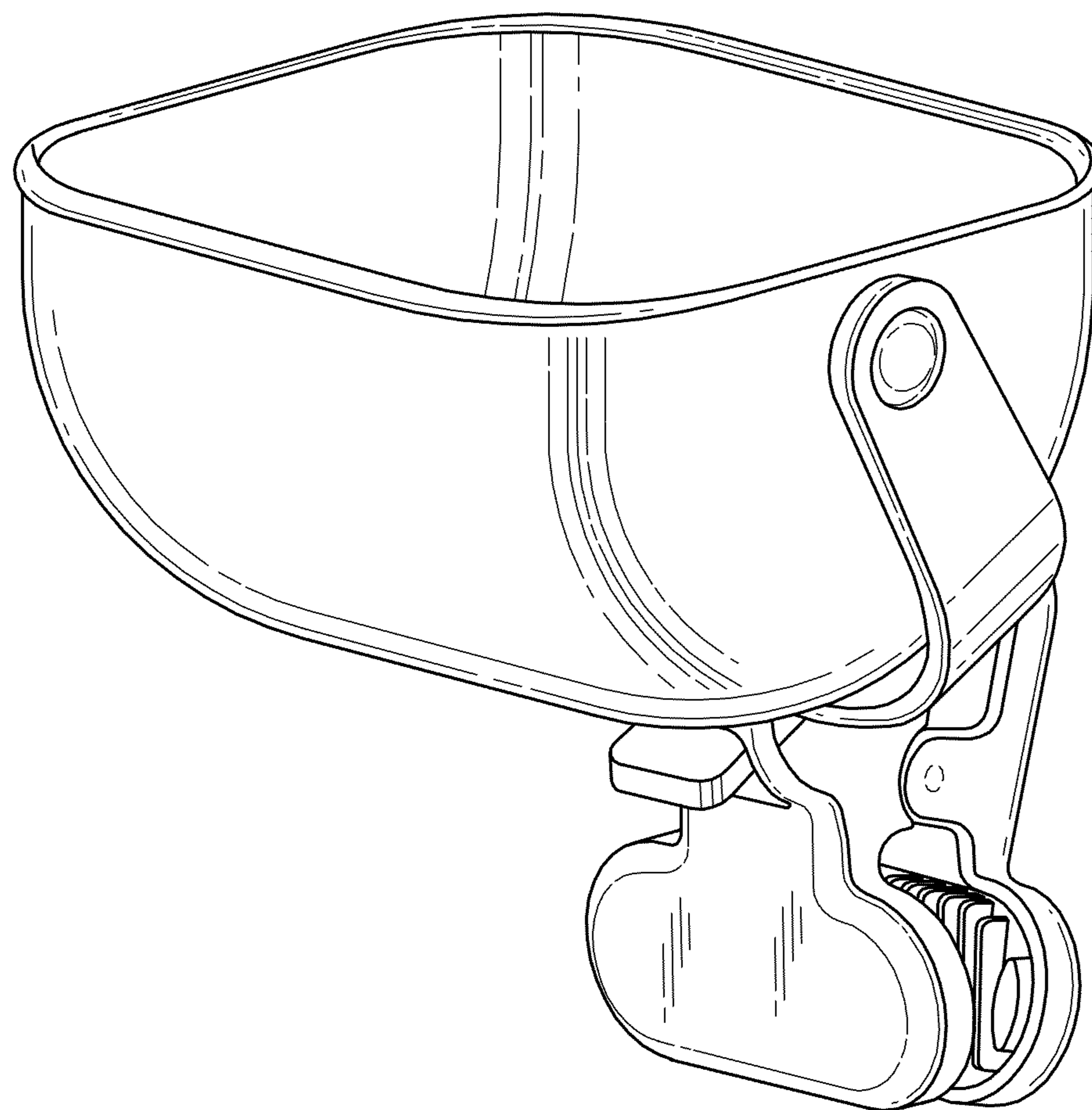
FIG. 6 is a top plan view of the clipped condiment container of the invention; and,

FIG. 7 is a bottom plan view of the clipped condiment container of the invention.

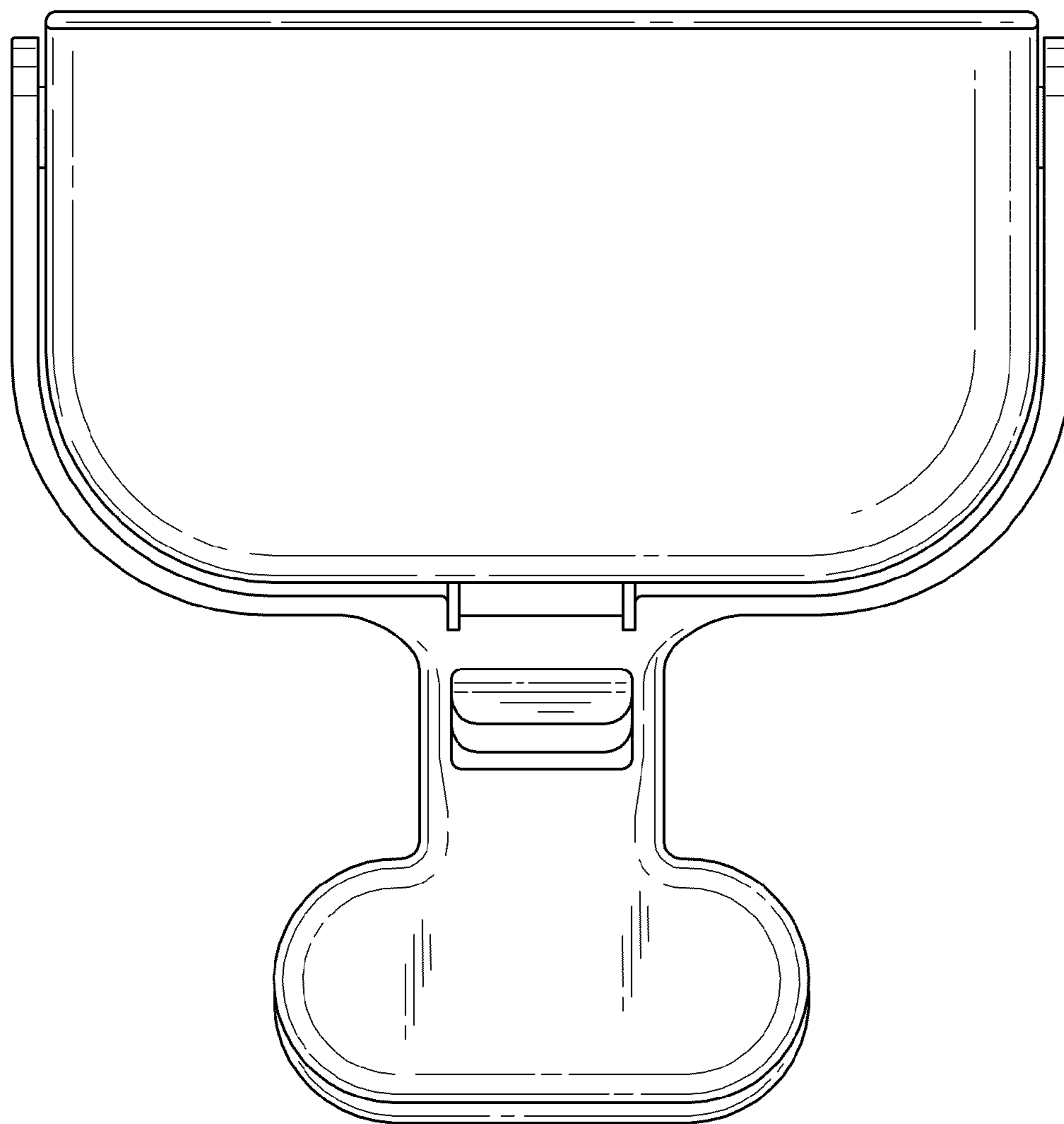
The broken lines in the drawings represent unclaimed features.

**1 Claim, 7 Drawing Sheets**

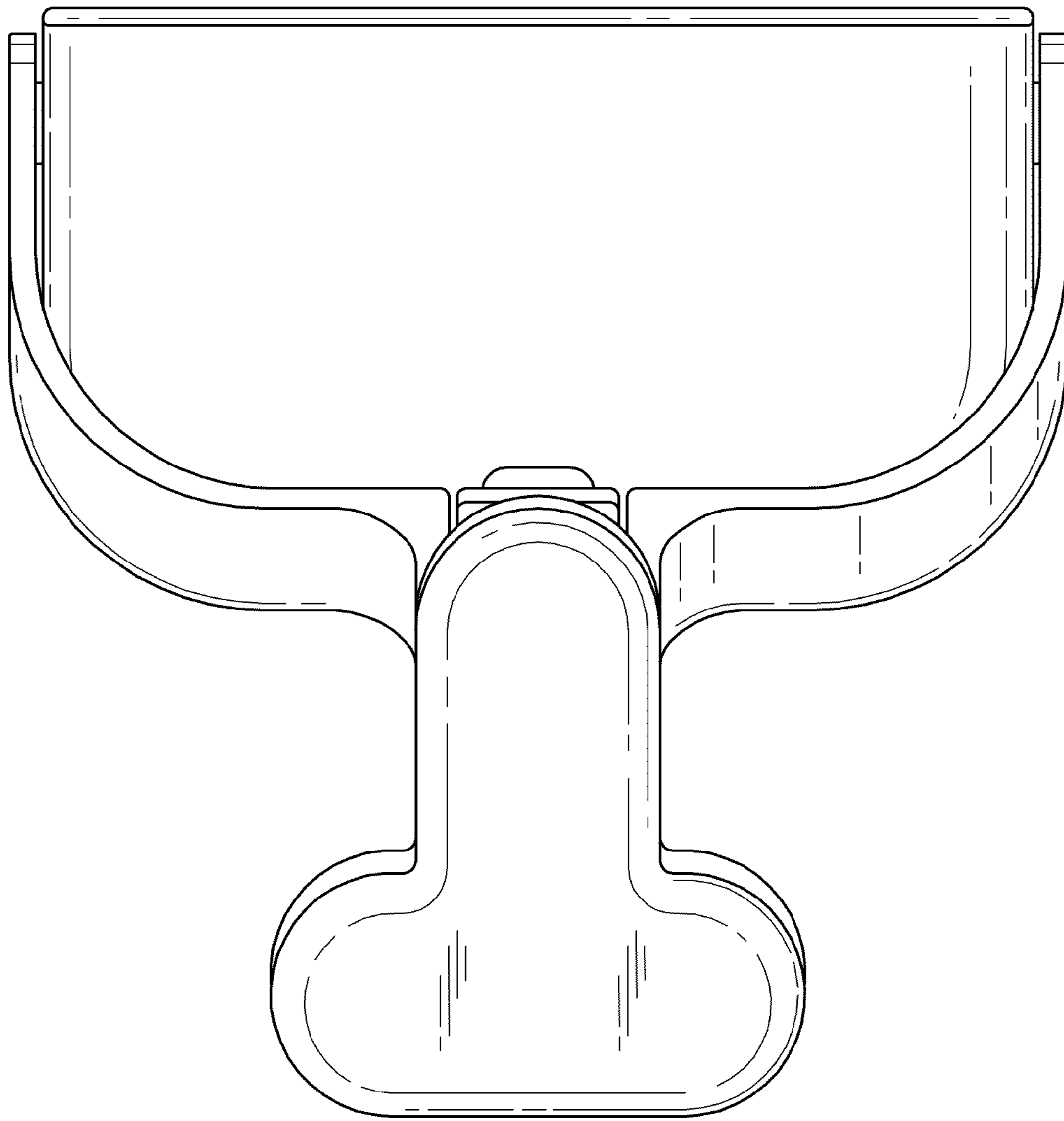




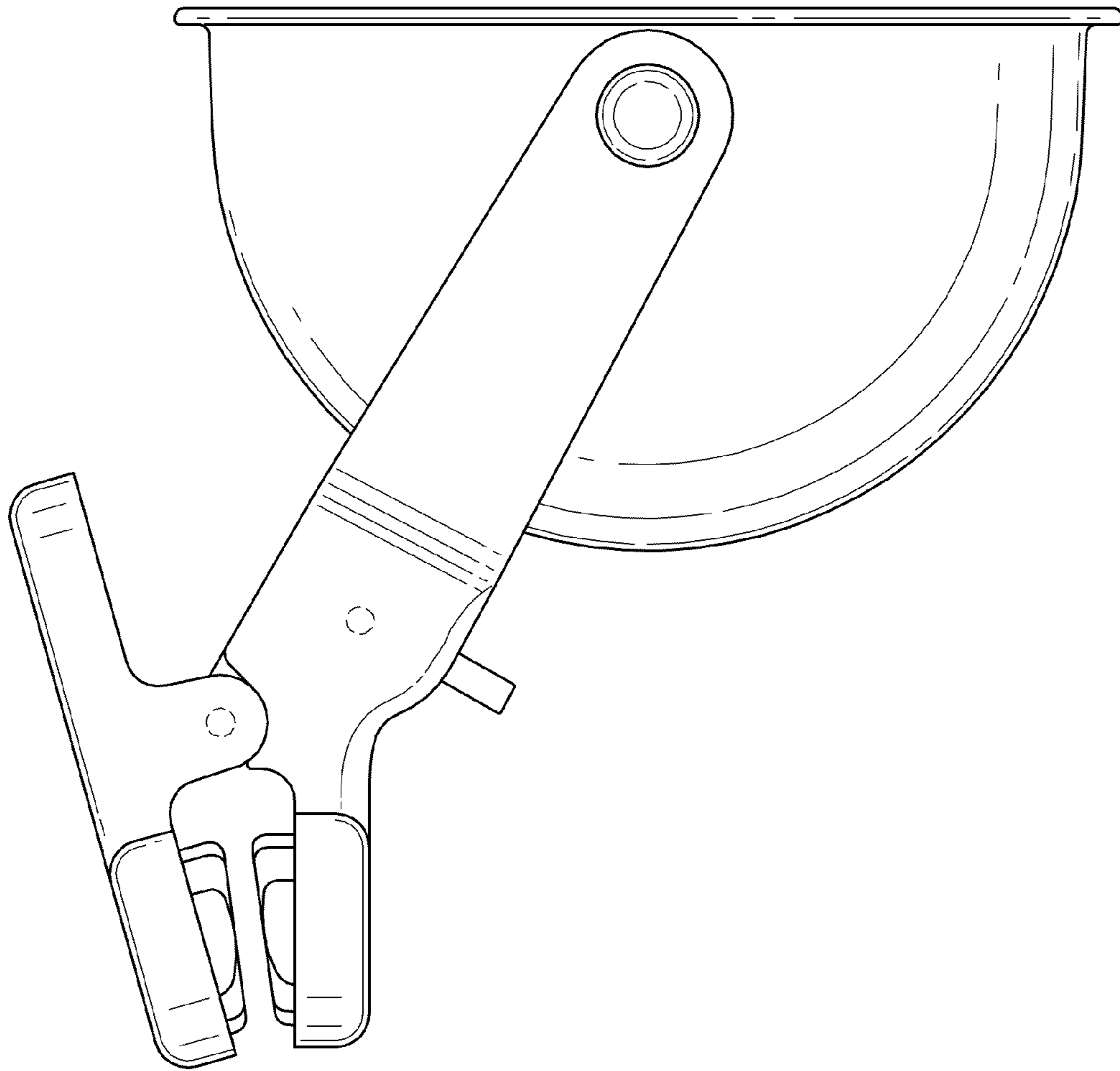
*FIG. 1*



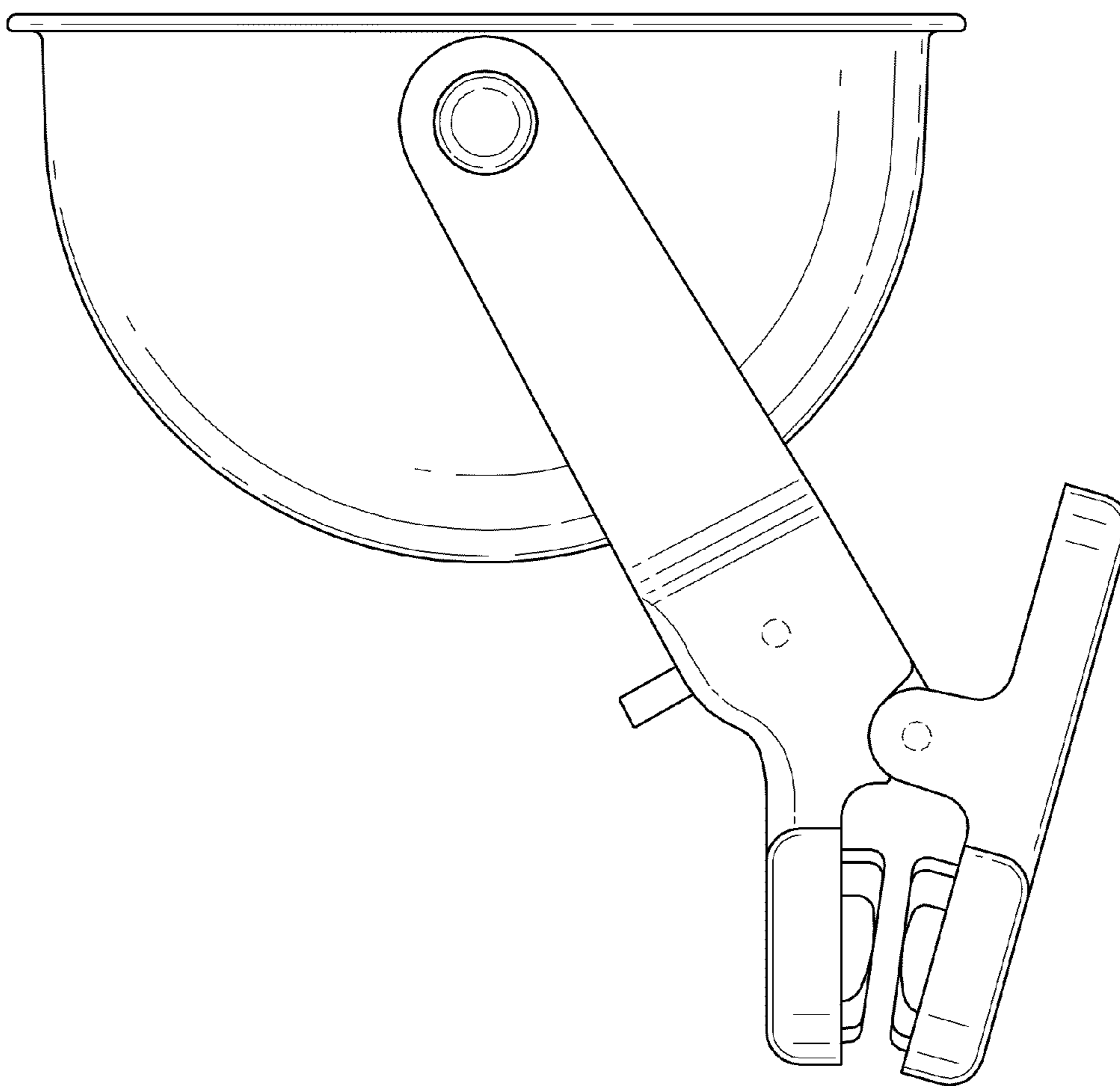
*FIG. 2*



*FIG. 3*

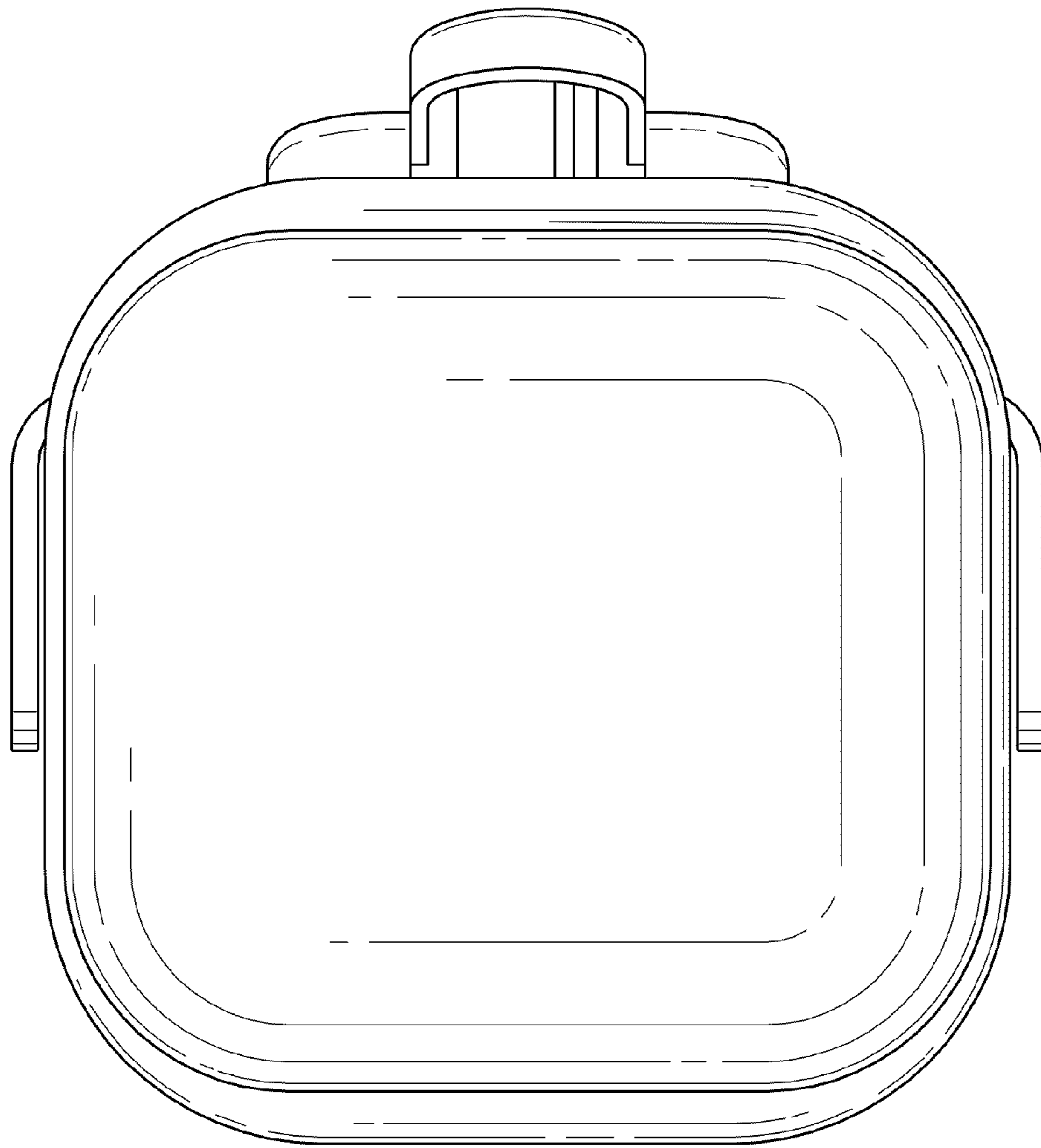


**FIG. 4**

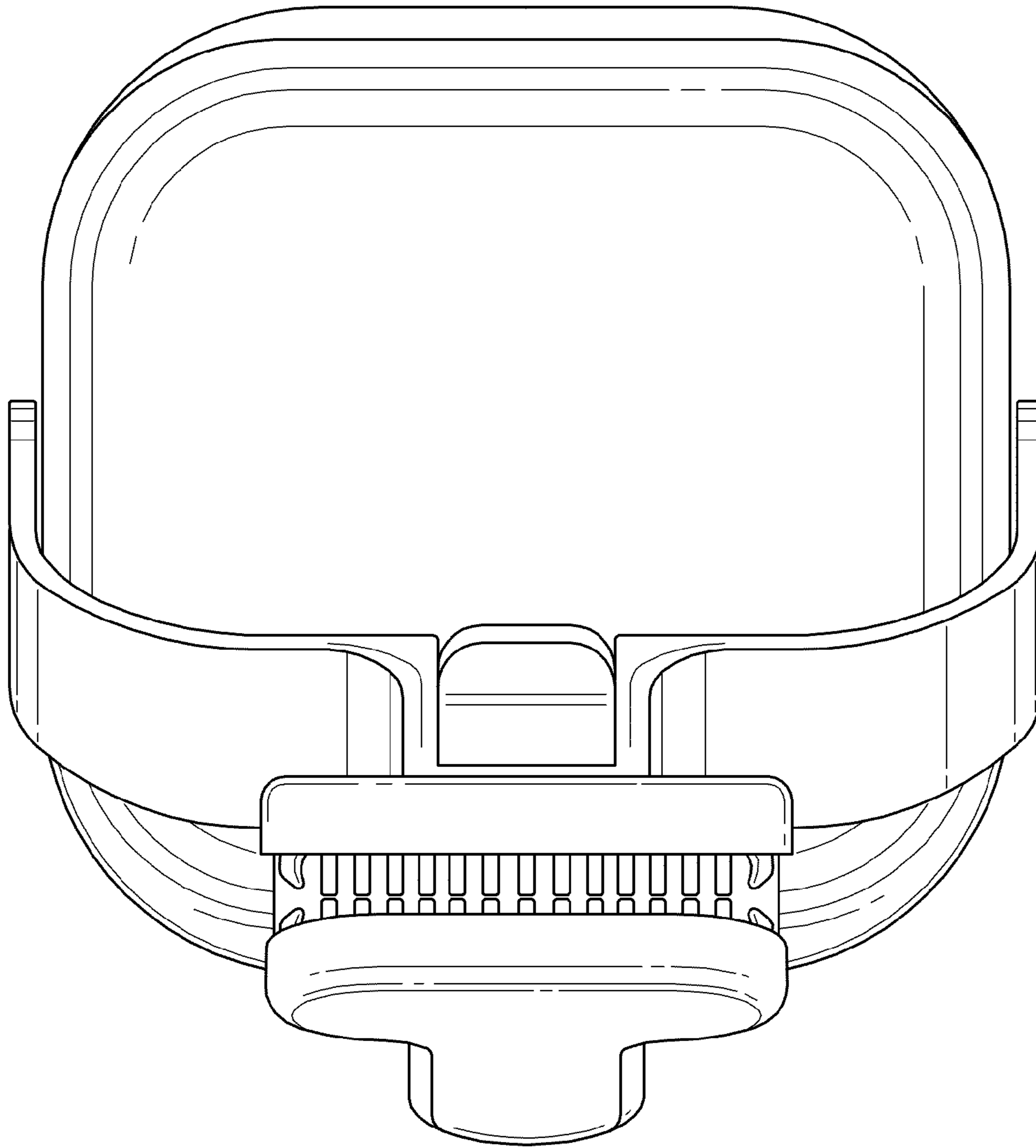


**FIG. 5**





*FIG. 6*



*FIG. 7*