



US00D727110S

(12) **United States Design Patent**
Henry et al.

(10) **Patent No.:** **US D727,110 S**
(45) **Date of Patent:** **** Apr. 21, 2015**

(54) **CLIPPED CONDIMENT CONTAINER**

(71) Applicant: **Robinson Home Products Inc.,**
Williamsville, NY (US)

(72) Inventors: **Lou Henry, Scarsdale, NY (US); John**
Healy, Brooklyn, NY (US)

(73) Assignee: **Robinson Home Products Inc.,**
Williamsville, NY (US)

(**) Term: **14 Years**

(21) Appl. No.: **29/482,870**

(22) Filed: **Feb. 22, 2014**

(51) **LOC (10) Cl.** **07-06**

(52) **U.S. Cl.**
USPC **D7/620**

(58) **Field of Classification Search**
CPC A61J 9/06; A61J 2009/0638; A47G
23/0225; A47G 23/0241; A47G 19/04;
B63B 29/12; B65D 67/02; B65D 25/22
USPC D7/619.1-625, 701-708; 211/71.01,
211/74; 248/311.3, 311.2, 126, 309.1, 558,
248/313, 314, 316.1, 226.11, 231.71,
248/223.41, 220.21, 213.12; 220/756, 710,
220/0.699, 694, 23.4, 23.86, 751, 23.83;
D8/385

See application file for complete search history.

(56) **References Cited**

U.S. PATENT DOCUMENTS

1,948,932 A * 2/1934 McMickle 220/23.83
5,429,262 A 7/1995 Sharkey
6,076,700 A 6/2000 Manges
D600,077 S * 9/2009 Barnes, Jr. D7/620

8,020,825 B2 * 9/2011 Dostaler et al. 248/316.7
D679,146 S * 4/2013 Rincon D7/620
D713,207 S 9/2014 Hickox
8,827,104 B2 9/2014 Hickox
2003/0019871 A1 1/2003 Nance
2006/0086756 A1 4/2006 Roth et al.
2007/0095843 A1 5/2007 Wu
2009/0090710 A1 4/2009 Nielsen
2009/0121107 A1 * 5/2009 Lagobi 248/311.2
2011/0084087 A1 4/2011 Scribner et al.
2011/0272546 A1 11/2011 Nielsen

* cited by examiner

Primary Examiner — Terry Wallace

(74) *Attorney, Agent, or Firm* — Florek & Endres PLLC

(57) **CLAIM**

We claim the ornamental design for a clipped condiment container, as shown and described.

DESCRIPTION

FIG. 1 is a perspective view of the clipped condiment container of the invention.

FIG. 2 is a front elevation view of the clipped condiment container of the invention.

FIG. 3 is a rear elevation view of the clipped condiment container of the invention.

FIG. 4 is a left side elevation view of the clipped condiment container of the invention.

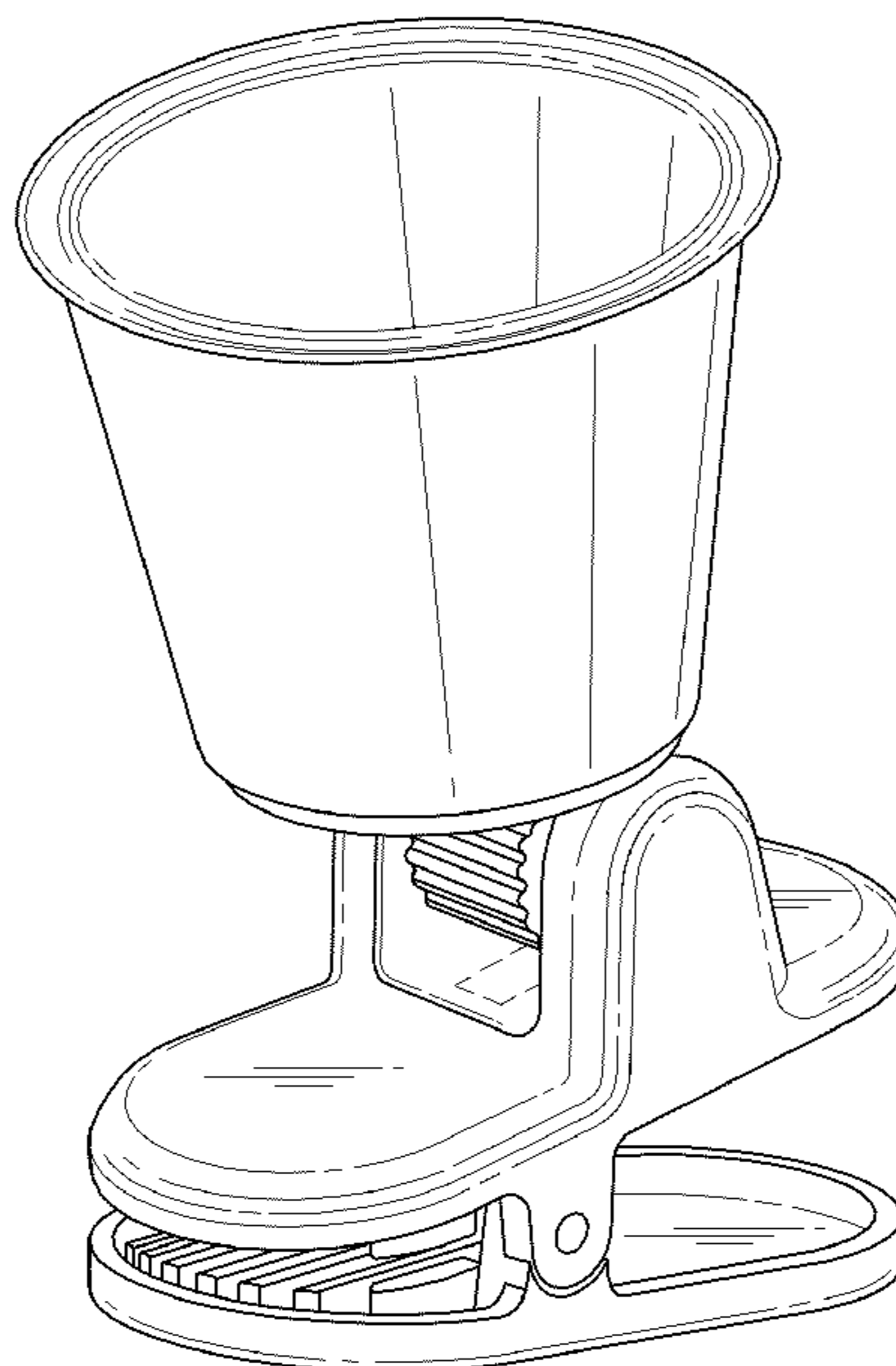
FIG. 5 is a right side elevation view of the clipped condiment container of the invention.

FIG. 6 is a top plan view of the clipped condiment container of the invention; and,

FIG. 7 is a bottom plan view of the clipped condiment container of the invention.

The broken lines in the drawings represent unclaimed features.

1 Claim, 6 Drawing Sheets



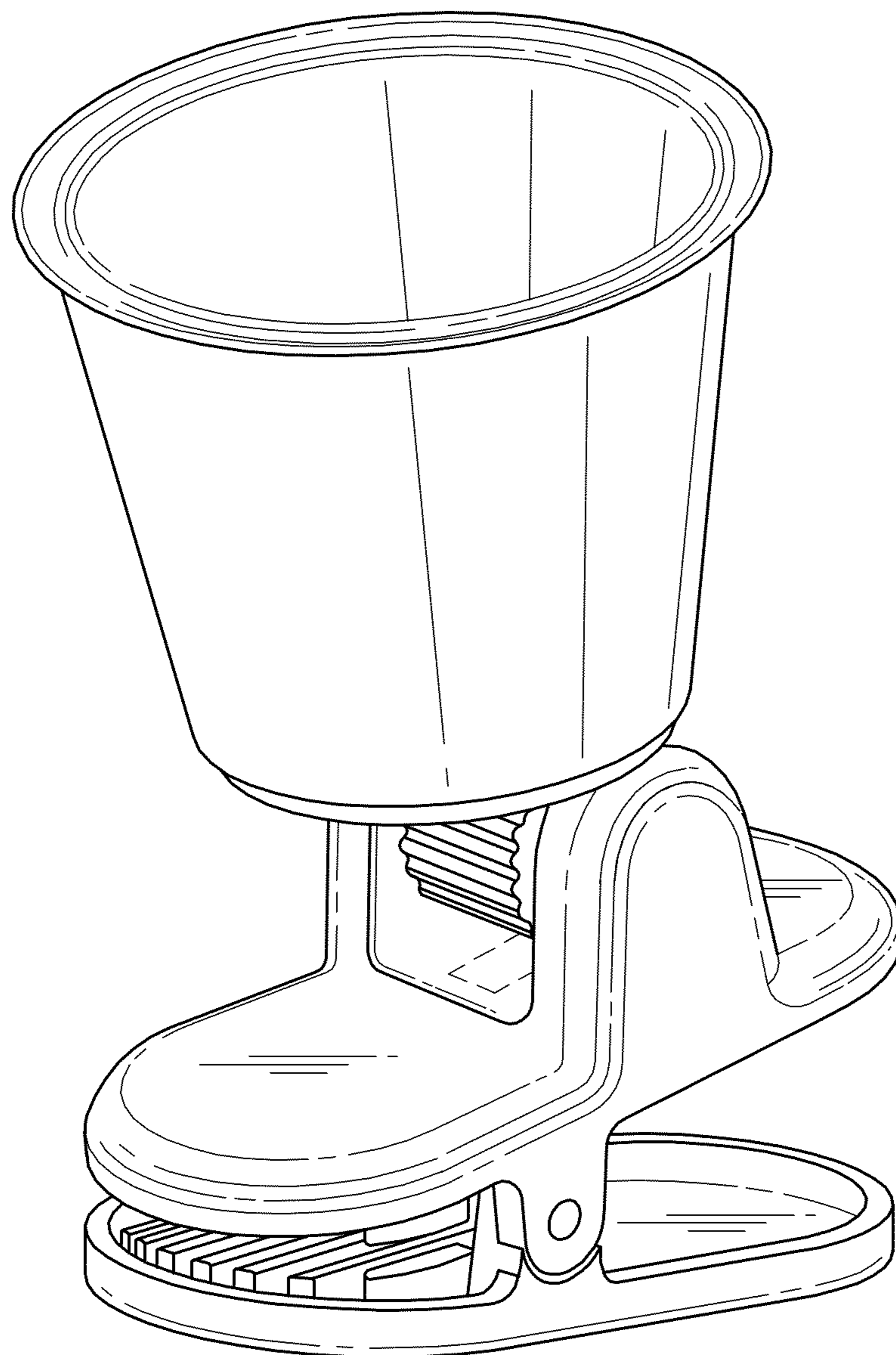


FIG. 1

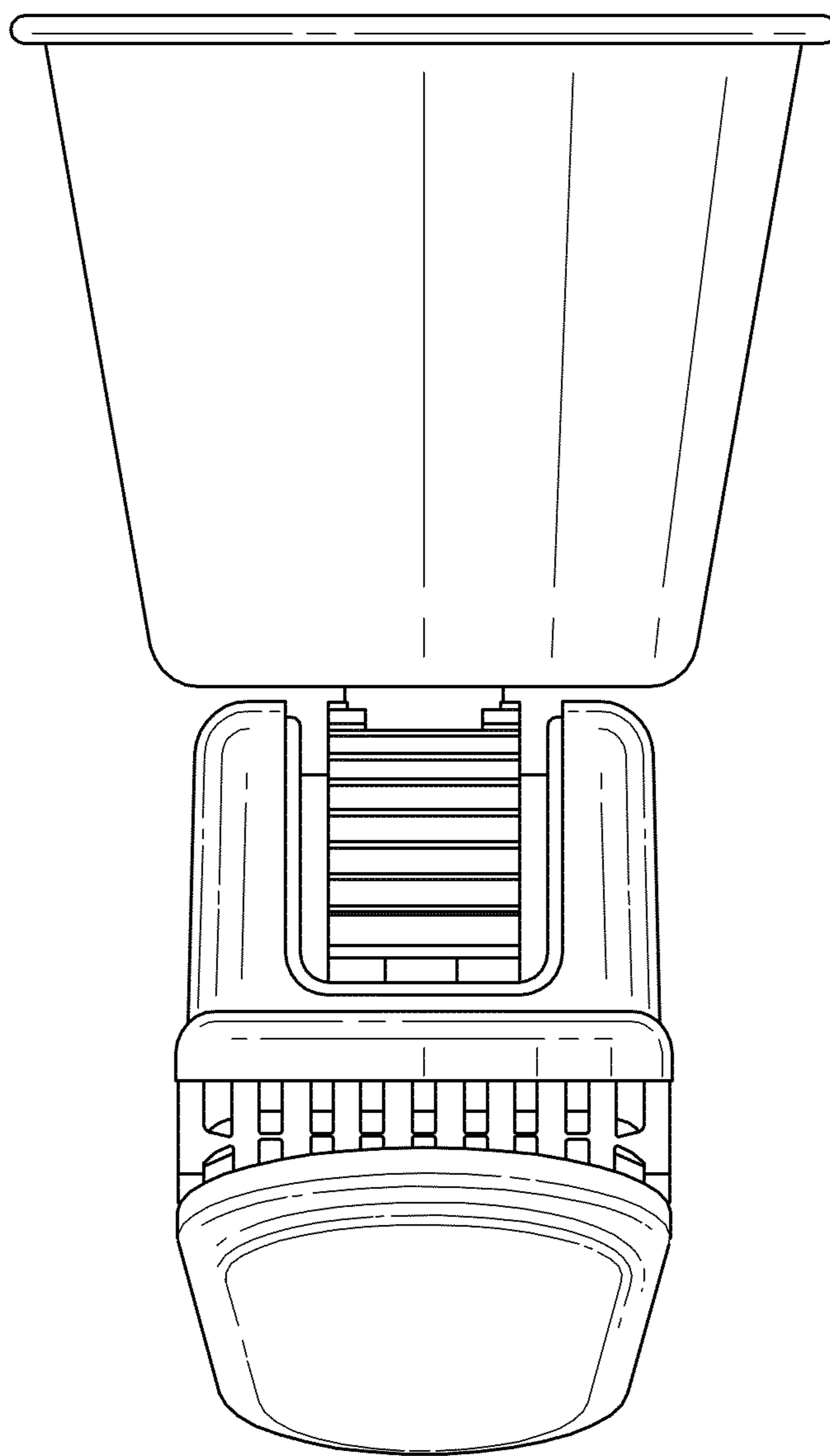


FIG. 2

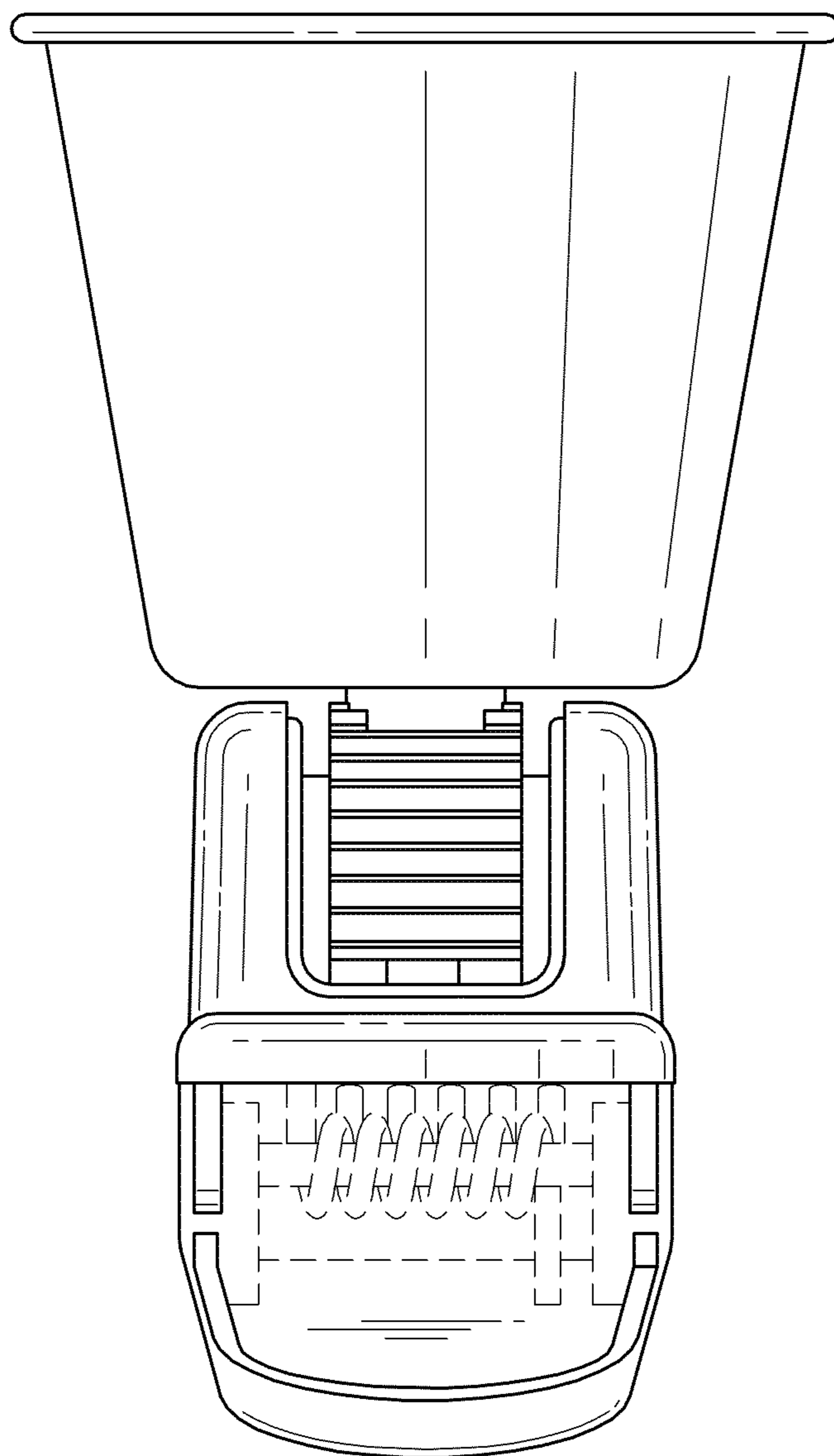


FIG. 3

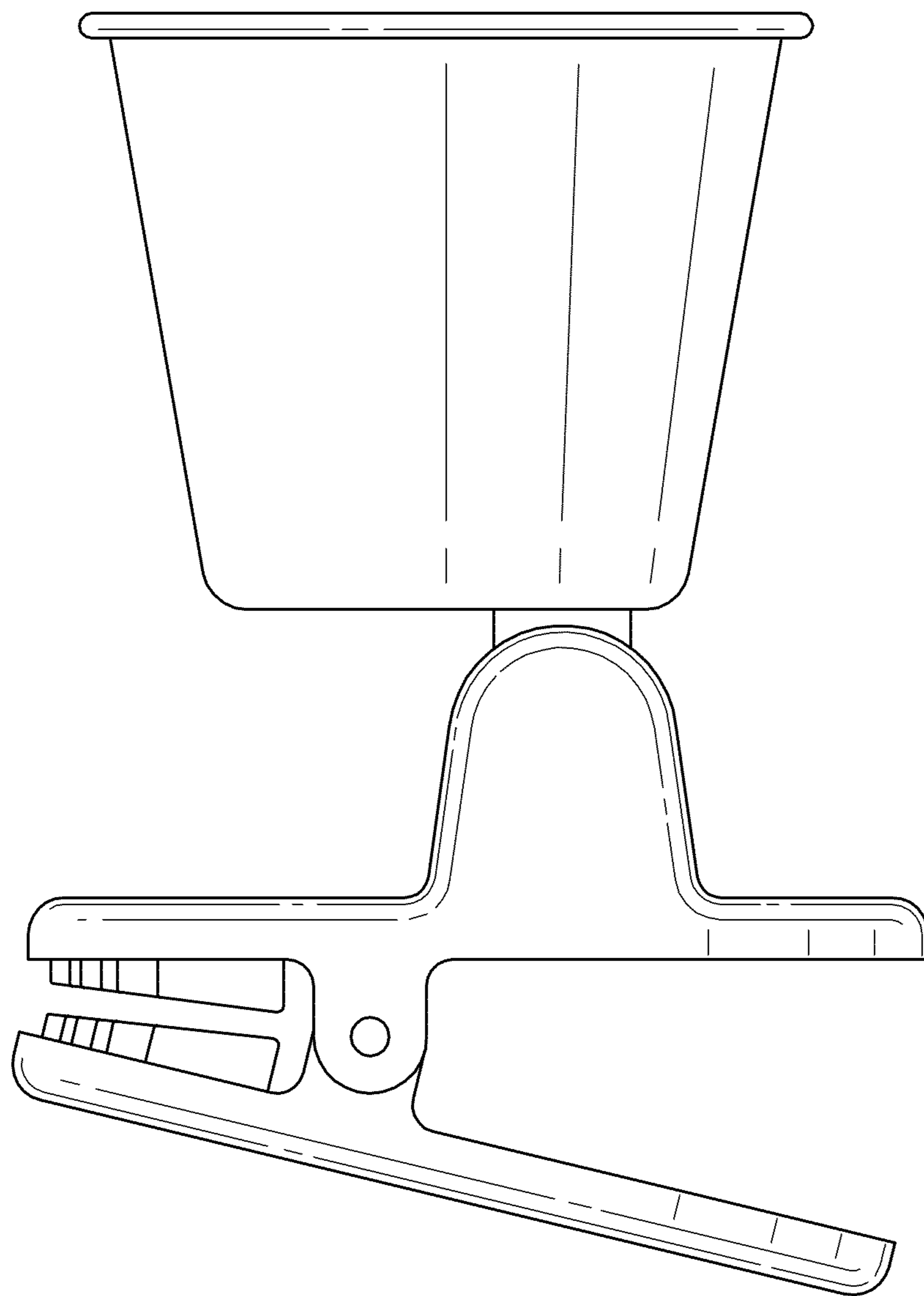


FIG. 4

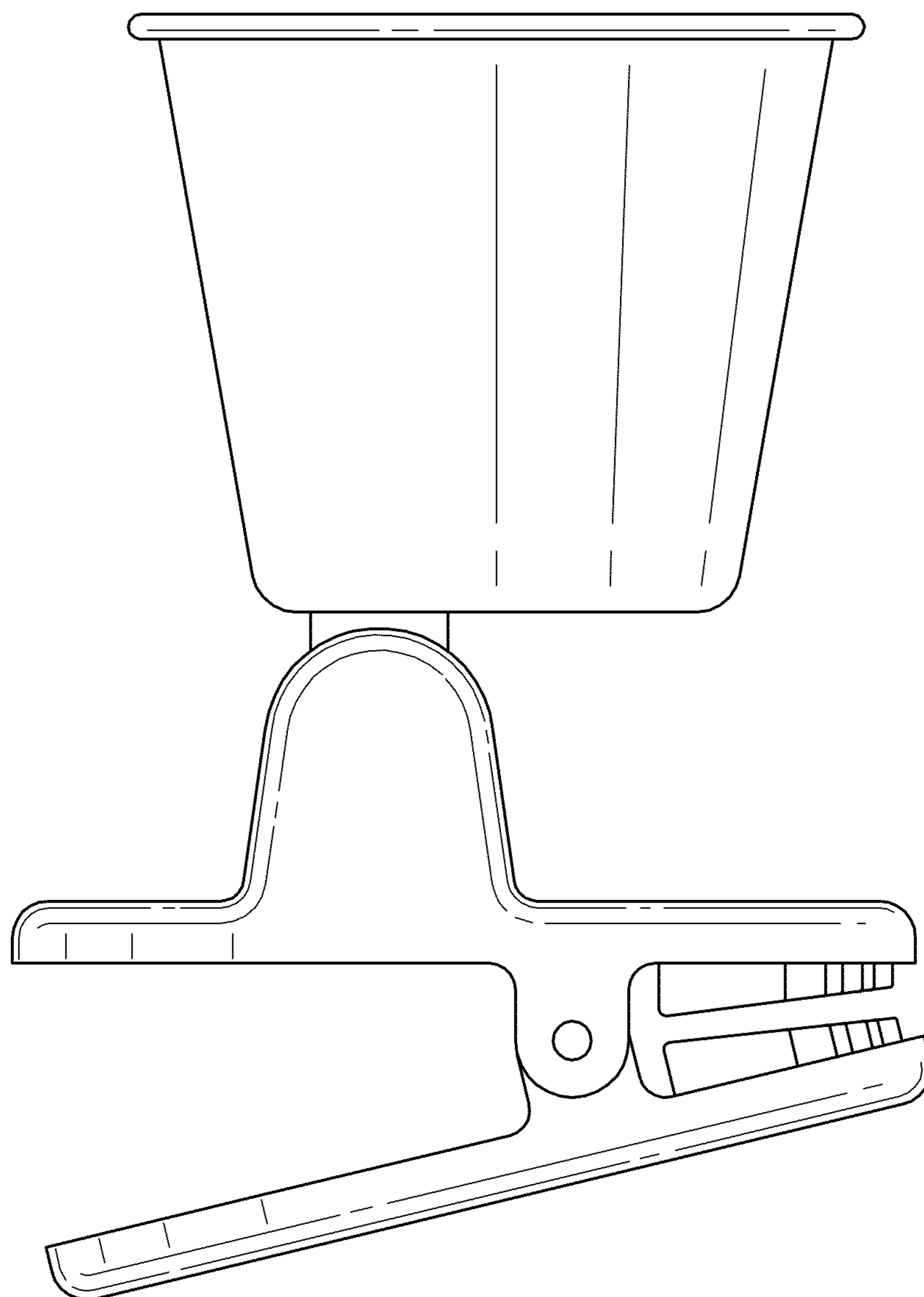


FIG. 5

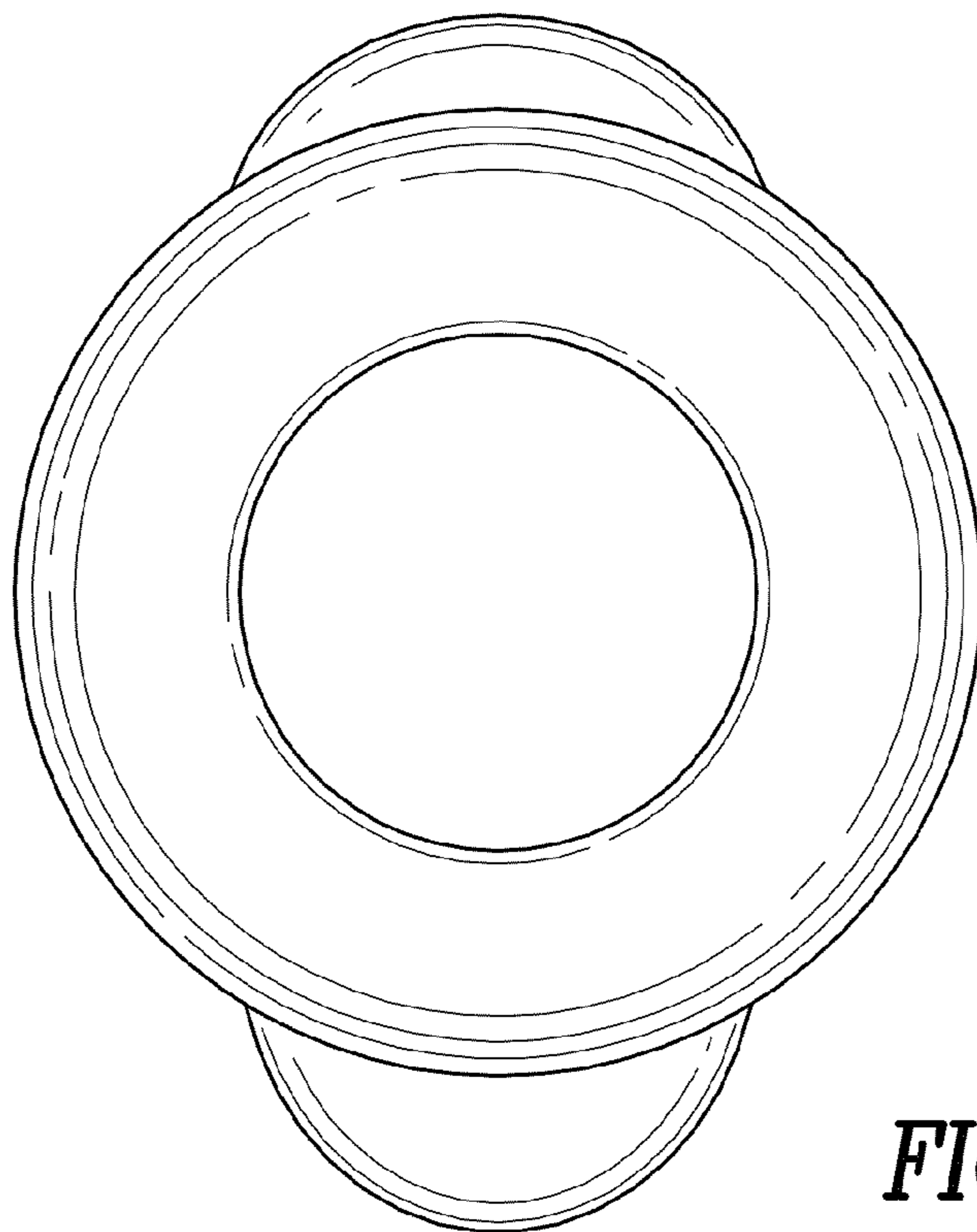


FIG. 6

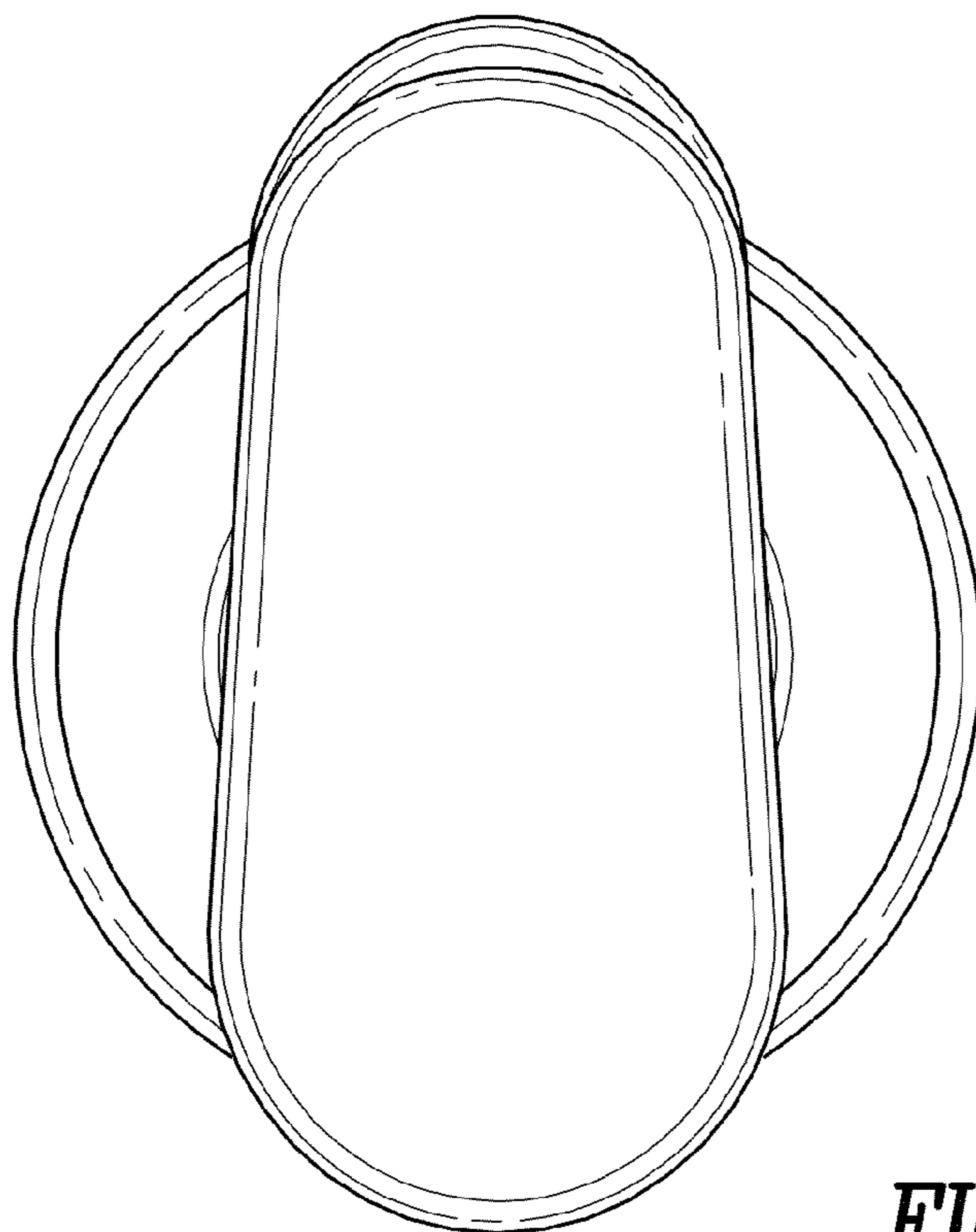


FIG. 7