



US00D727109S

(12) **United States Design Patent**  
**Baussan**

(10) **Patent No.:** **US D727,109 S**

(45) **Date of Patent:** **\*\* Apr. 21, 2015**

(54) **COMBINED BOTTLE STAND AND BOTTLES**

(56)

**References Cited**

(71) Applicant: **Oliviers & Co (SA)**, Mane (FR)

U.S. PATENT DOCUMENTS

(72) Inventor: **Albert Baussan**, Paris (FR)

D153,090	S	*	3/1949	Sexton	.....	D7/704
D178,752	S	*	9/1956	Berg et al.	.....	D7/704
3,028,043	A	*	4/1962	Angstadt	.....	206/202
3,094,219	A	*	6/1963	Klein	.....	211/77
D276,889	S	*	12/1984	Biesecker	.....	D9/500
4,809,878	A	*	3/1989	Rainey	.....	222/321.9
D378,492	S	*	3/1997	Salle	.....	D9/502
D435,450	S	*	12/2000	Eisenbarth	.....	D9/500
D491,066	S	*	6/2004	Le Goff	.....	D9/500
D554,519	S	*	11/2007	Varlet	.....	D9/549
D655,172	S	*	3/2012	Brooks et al.	.....	D9/549

(73) Assignee: **Oliviers & Co (SA)**, Mane (FR)

(\*\*) Term: **14 Years**

(21) Appl. No.: **29/477,849**

\* cited by examiner

(22) Filed: **Dec. 27, 2013**

*Primary Examiner* — Terry Wallace

(74) *Attorney, Agent, or Firm* — Young & Thompson

(30) **Foreign Application Priority Data**

(57) **CLAIM**

The ornamental design for a combined bottle stand and bottles, as shown and described.

Jun. 27, 2013 (EM) ..... 001386163-0001

(51) **LOC (10) Cl.** ..... **07-01**

(52) **U.S. Cl.**  
USPC ..... **D7/600; D7/707; D7/704; D7/705**

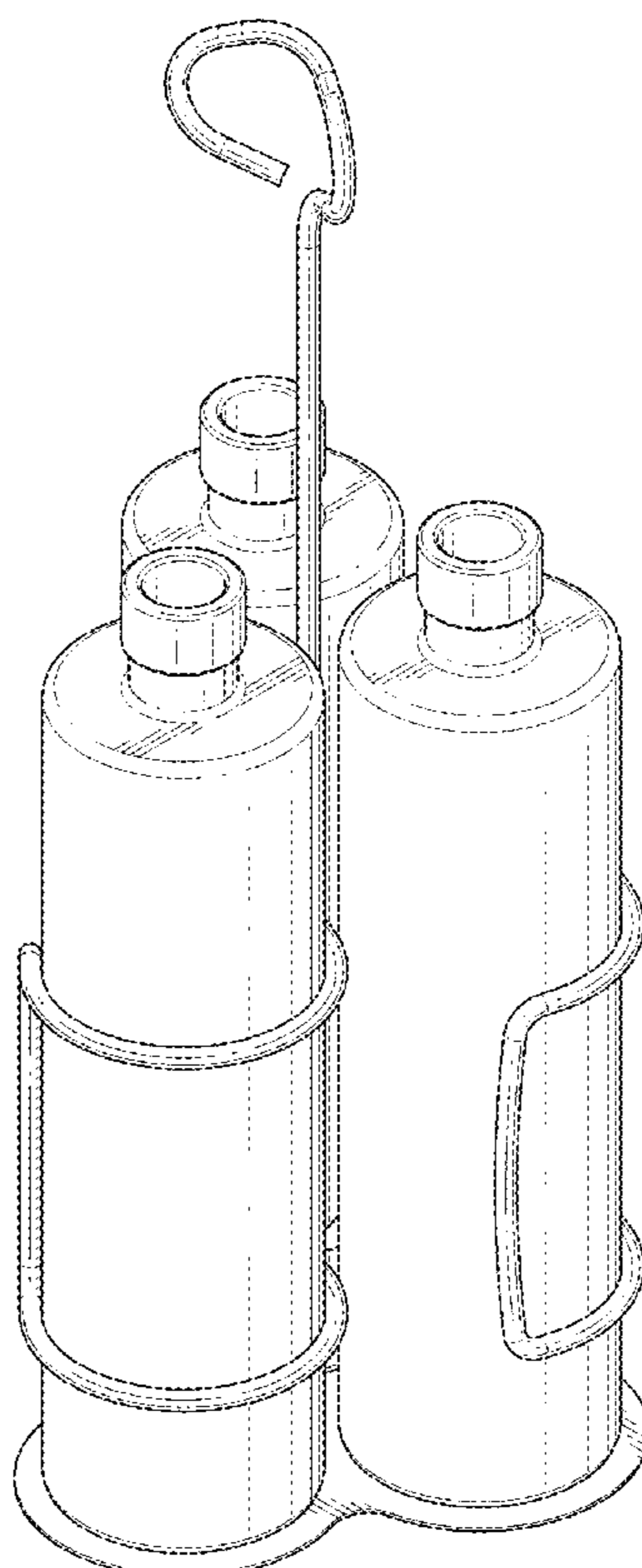
(58) **Field of Classification Search**  
CPC ..... **A47F 7/283**  
USPC ..... **D7/600.1-600.4, 598, 701-708, 600;**  
**D9/549, 559, 574, 575, 500-504;**  
**D6/512, 514; 215/381-384, 379;**  
**211/71.01, 70.7, 70.6, 74, 75**

See application file for complete search history.

**DESCRIPTION**

FIG. 1 is a front, left side, and top perspective view of a combined bottle stand and bottles showing the new design; FIG. 2 is a front elevation view thereof; FIG. 3 is a rear elevation view thereof; FIG. 4 is a side elevation view thereof; FIG. 5 is an opposite side elevation view thereof; FIG. 6 is a top plan view thereof; and, FIG. 7 is a bottom plan view thereof.

**1 Claim, 6 Drawing Sheets**



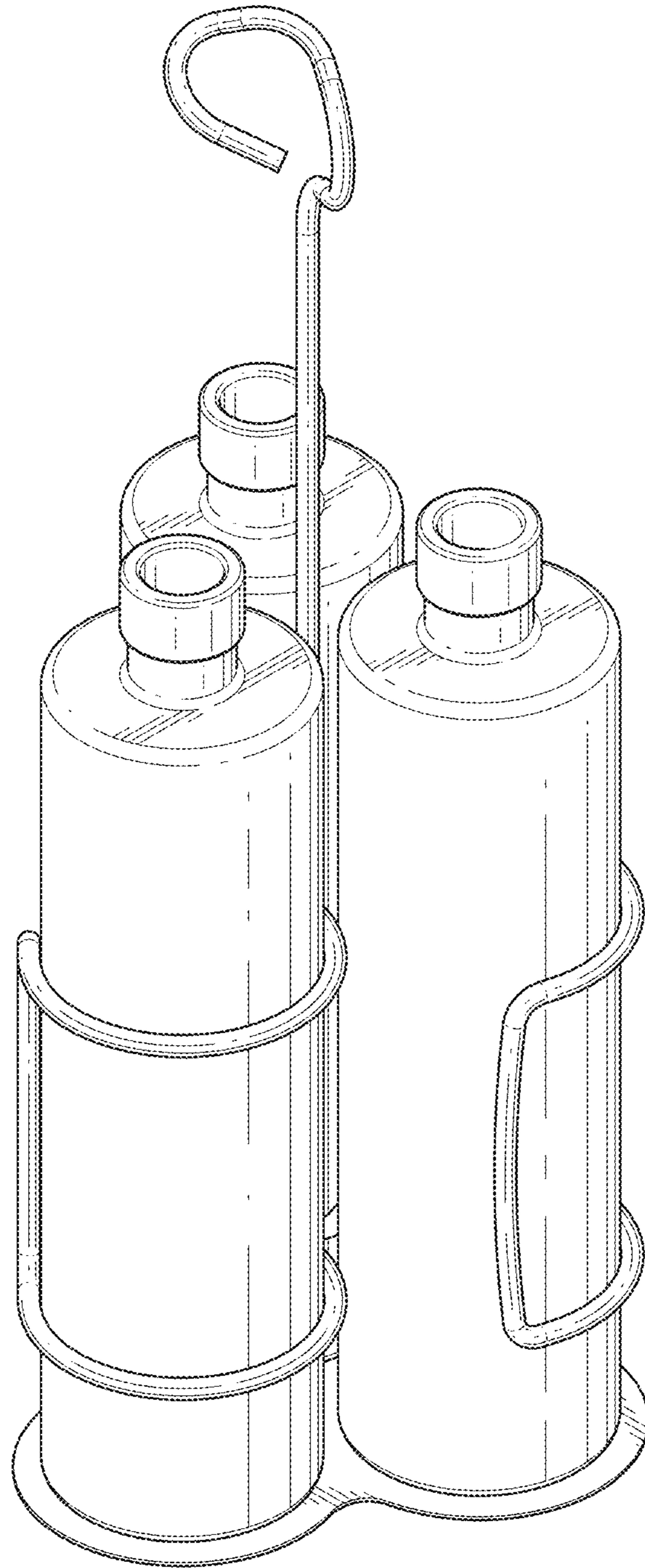


FIG. 1

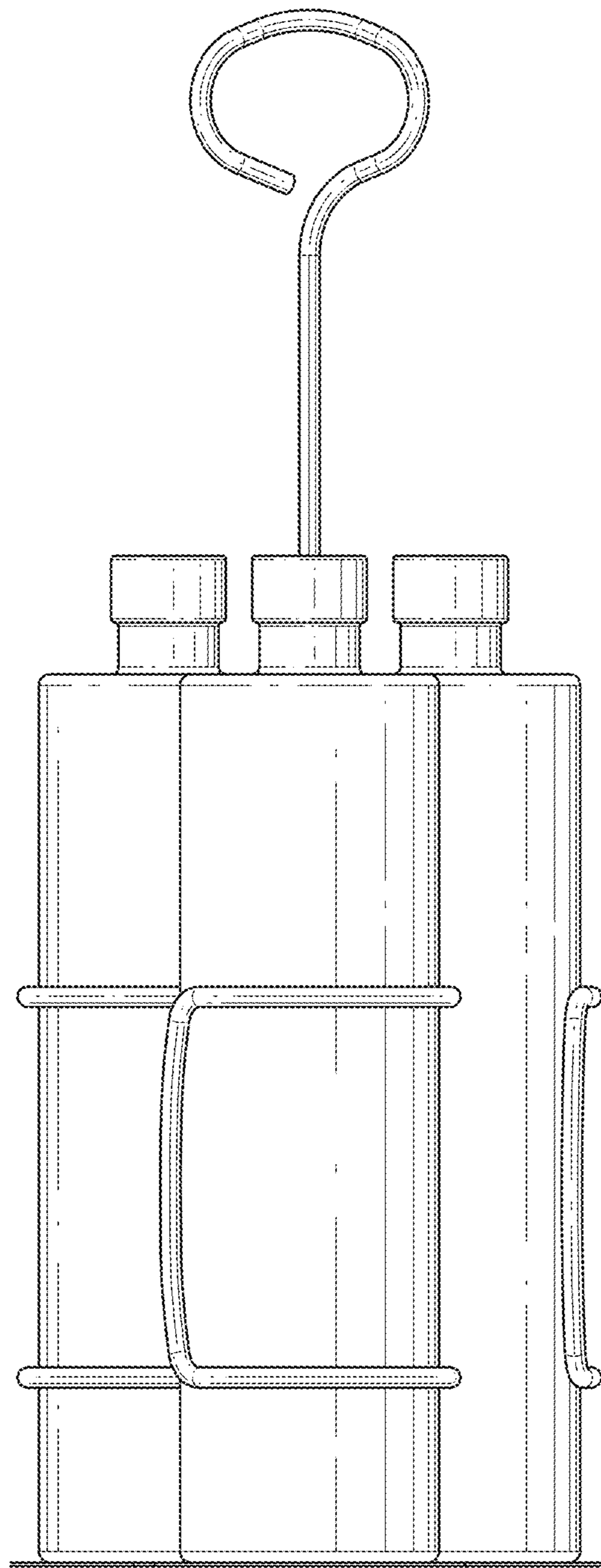


FIG. 2

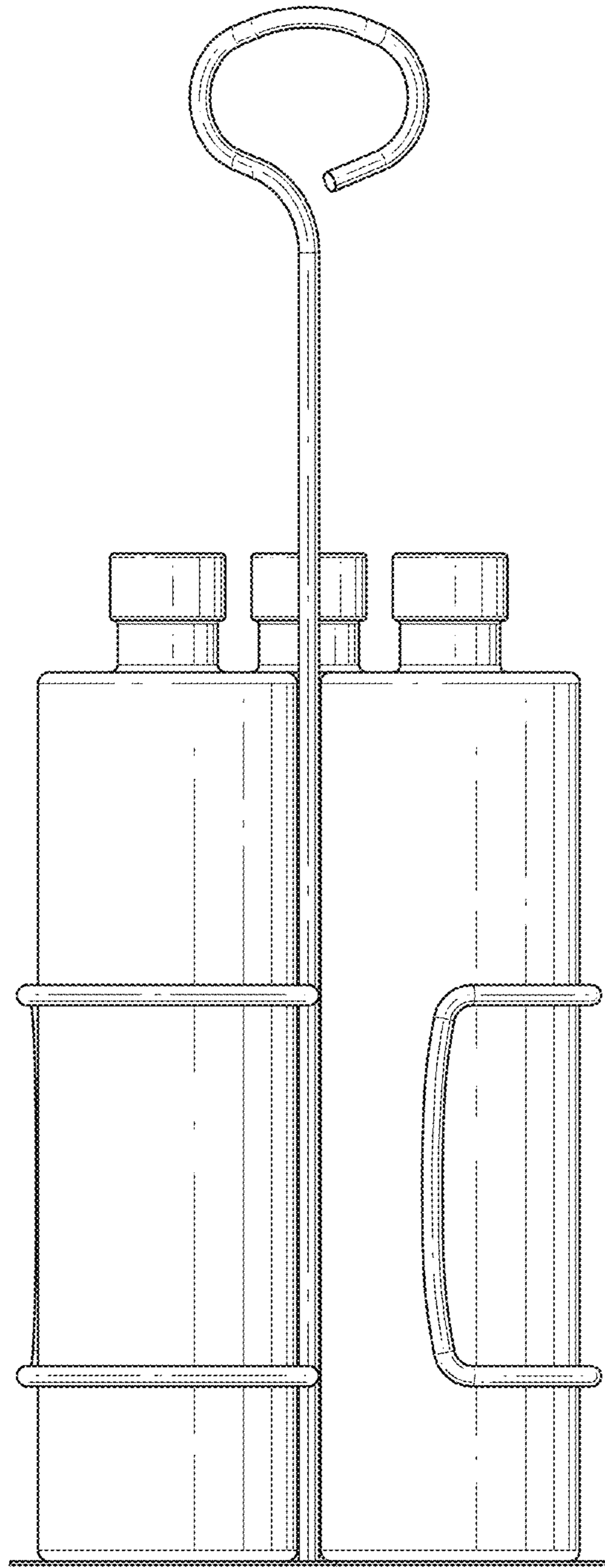


FIG. 3

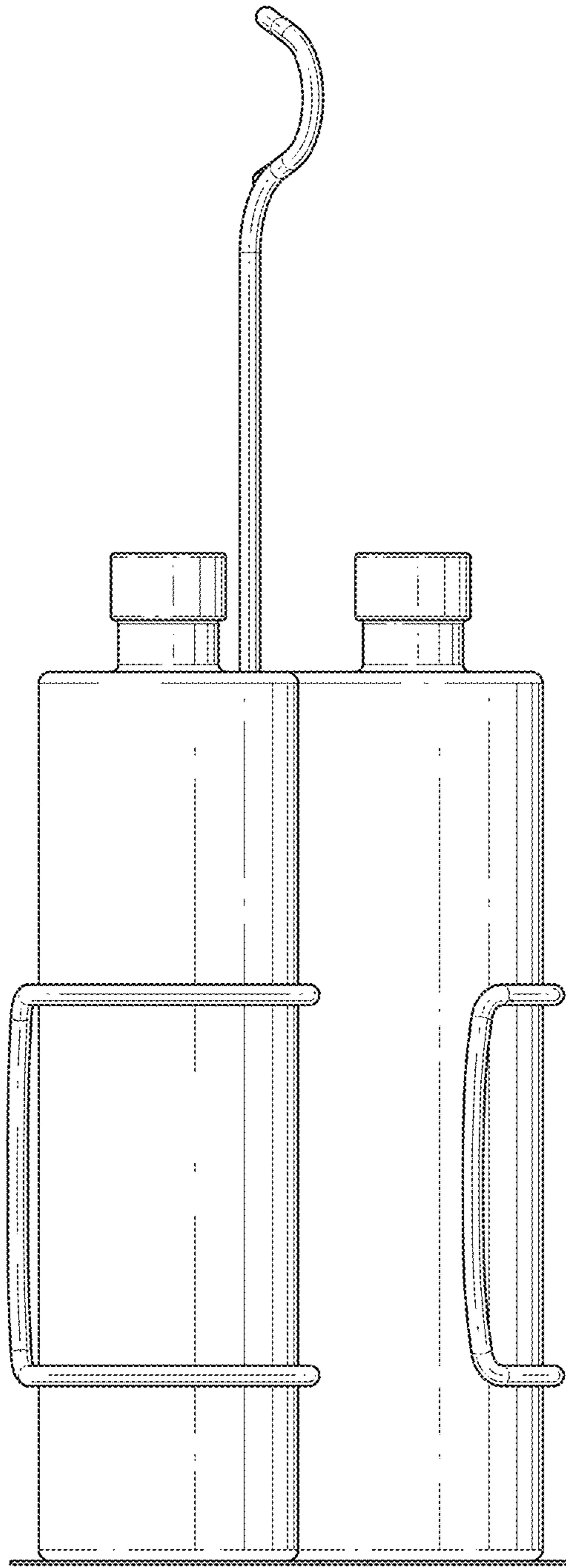


FIG. 4

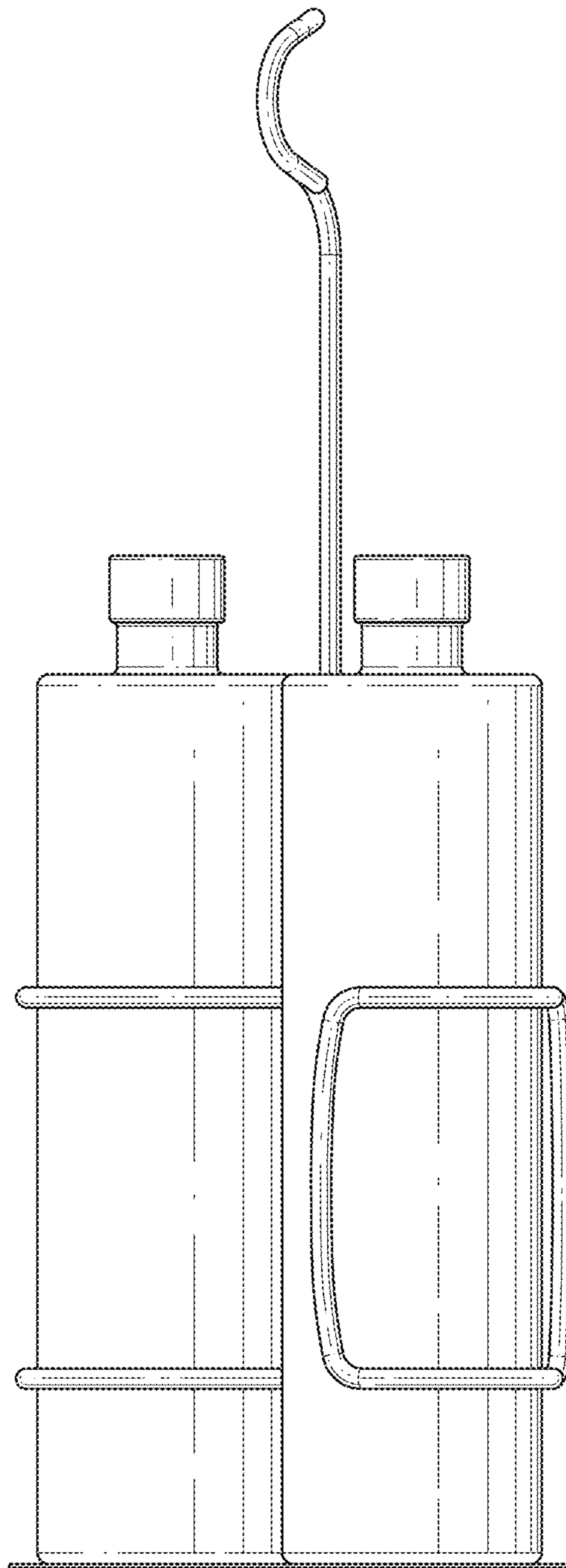


FIG. 5

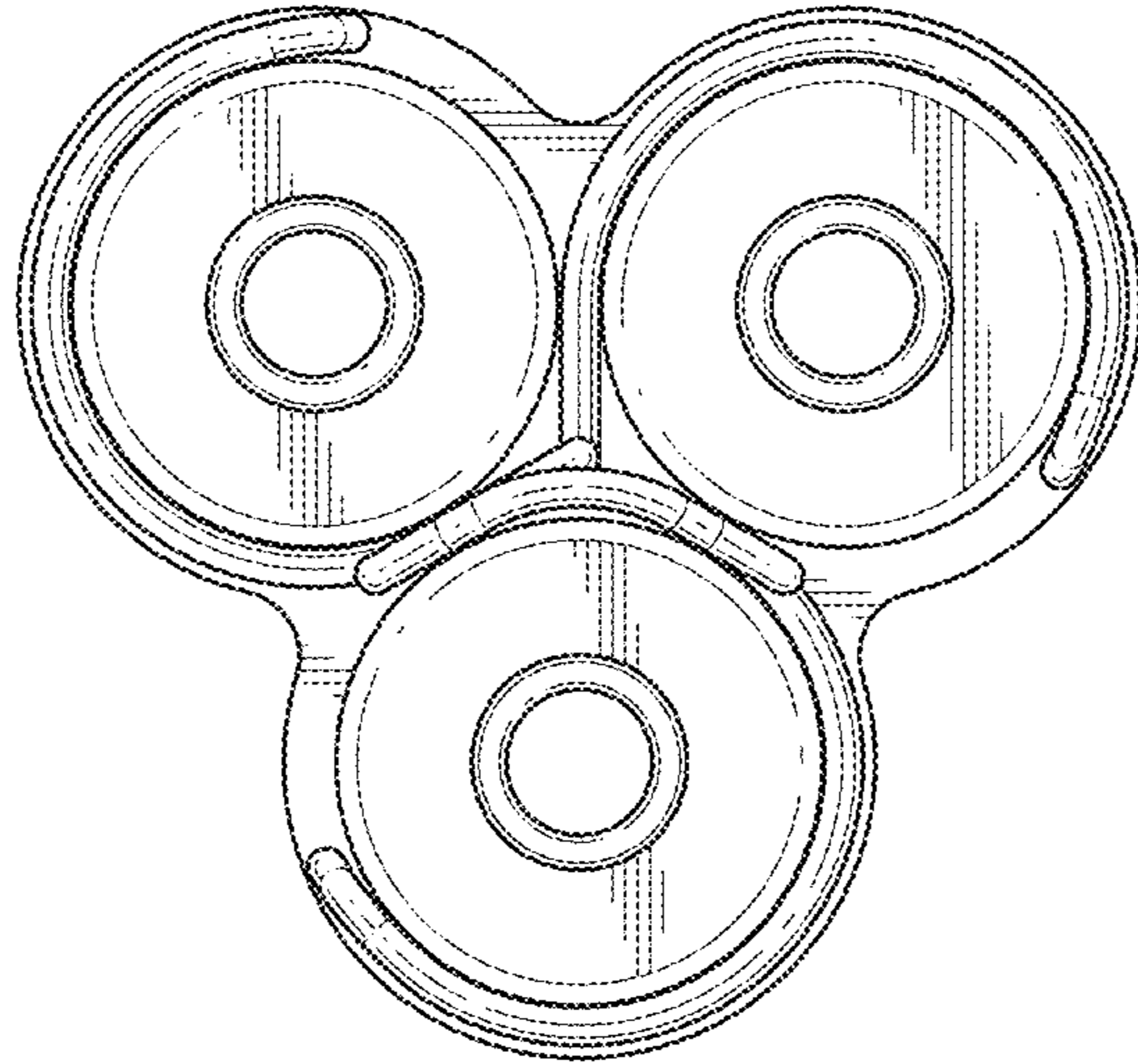


FIG. 6

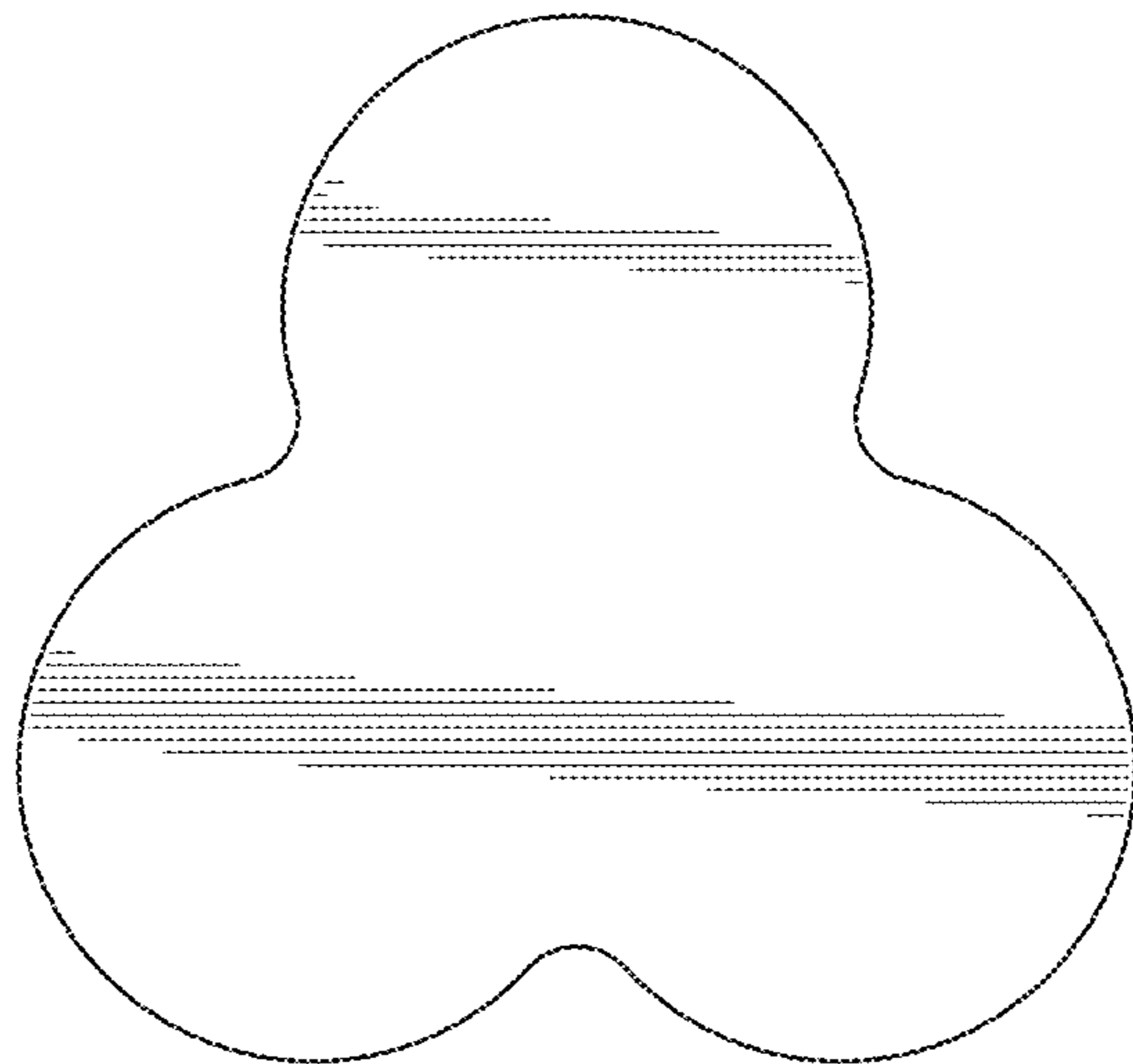


FIG. 7